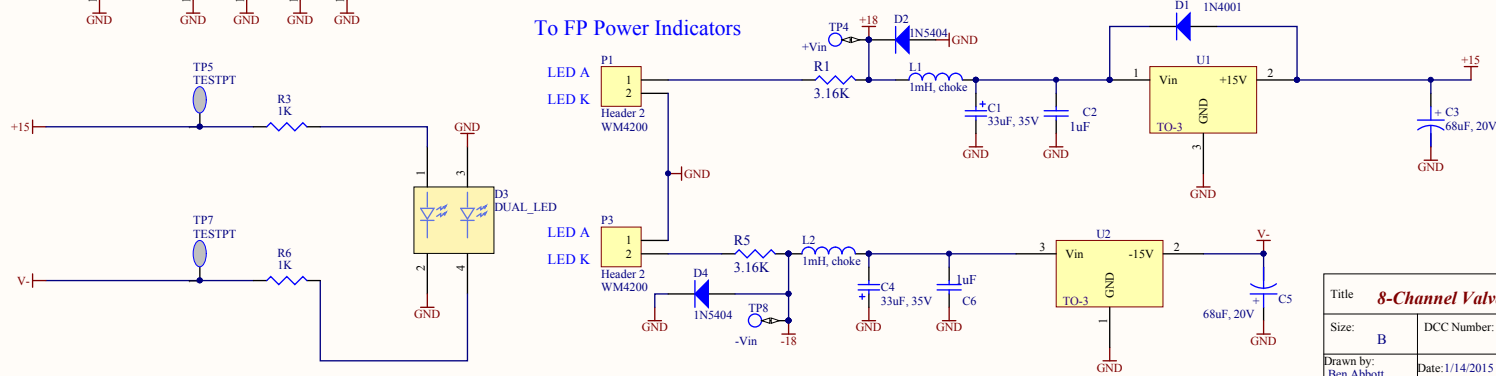
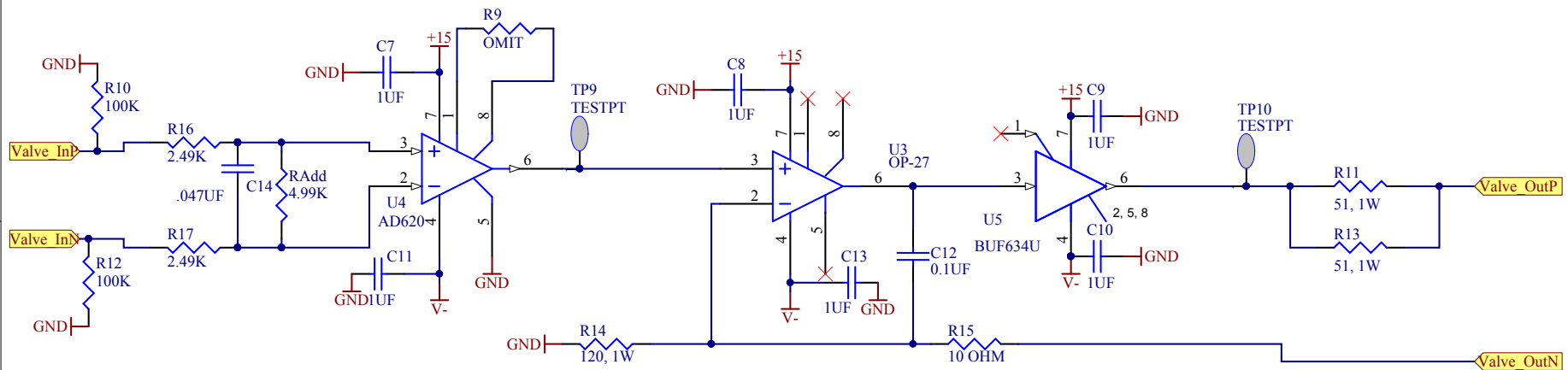


To FP Power Indicators



Title <b>8-Channel Valve Driver Board</b>		Ligo Project California Institute of Technology Massachusetts Institute of Technology		
Size: <b>B</b>	DCC Number: D020373	Date: 1/14/2015		
Drawn by: <b>Ben Abbott</b>	Revision: <b>v5</b>	File: C:\restored\Ben\HEPI\New\HEPI\Newer 8CH Valve Driver\ASBuild\TitleSheet.dwg		



Notes:

R16, R17 and C14 were changed so that RAdd could be added underneath, and it would both divide the gain by two, and keep the 1.3KHz Pole.  
 R14 was changed to 120 Ohms.  
 All of these changes were done so that the full range of the DAC (+/- 10V) would supply the full range of the valve (+/- 40mA)

Title **Valve Channel**

Size: **A**

DCC Number: **D020373**

*Ligo Project*  
 California Institute of Technology  
 Massachusetts Institute of Technology



Drawn by:  
**Ben Abbott**

Date: **1/14/2015**

Revision: **V5**

File: C:\restored\Ben\HEPI\New HEPI\Newer 8CH Valve Driver\AsBuilt\TimeS\ValveChan\Sheet 2 of 2

# 8 Channel Valve Driver Board

LJCO D08K373 Rev 1.0

Serial Number: [REDACTED]

T88 T81 T87  
+15V GND -15V

+18V

-18V

Valve 1 Valve 2 Valve 3 Valve 4 Valve 5 Valve 6 Valve 7 Valve 8

GND1

GND2

GND3

GND4