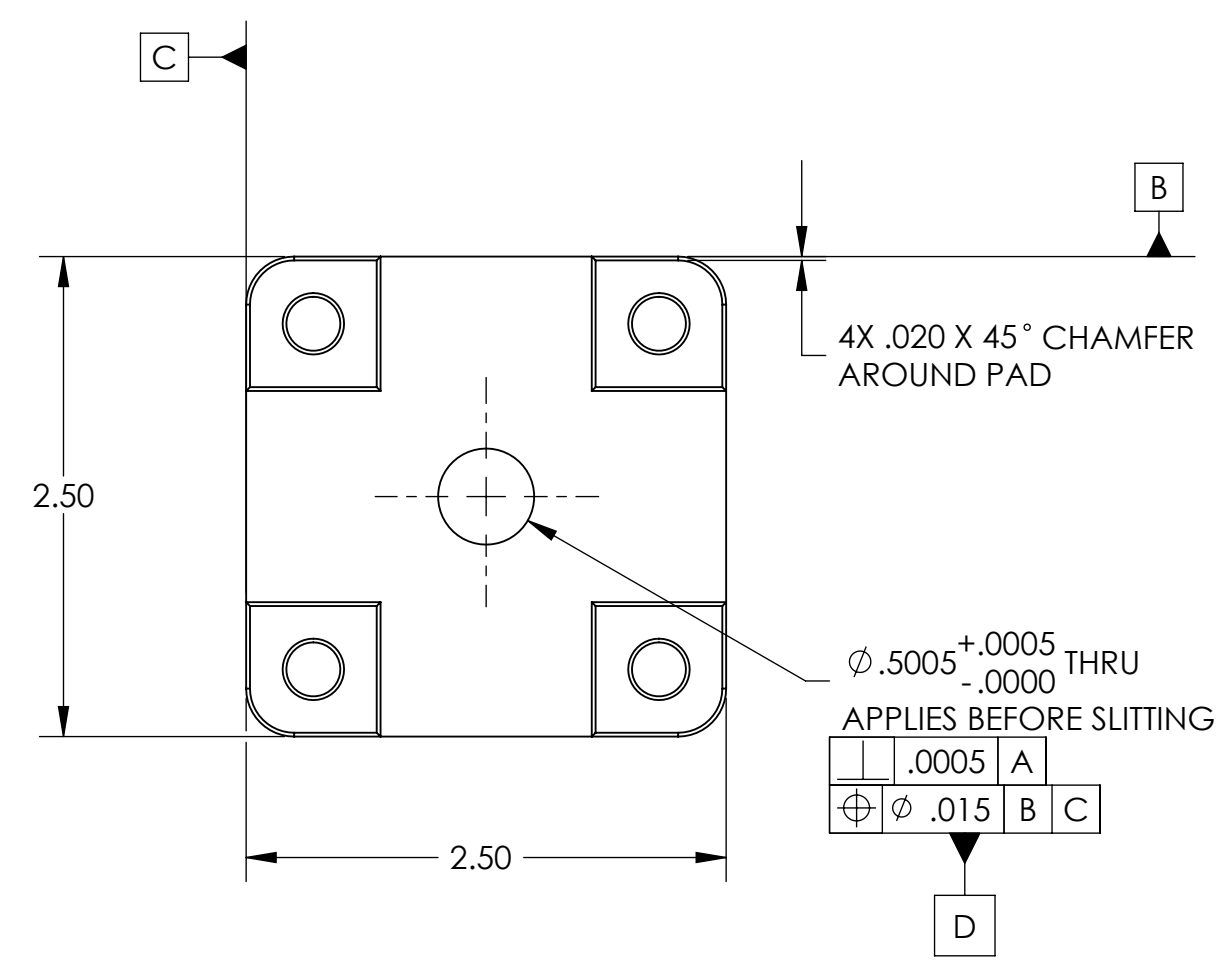
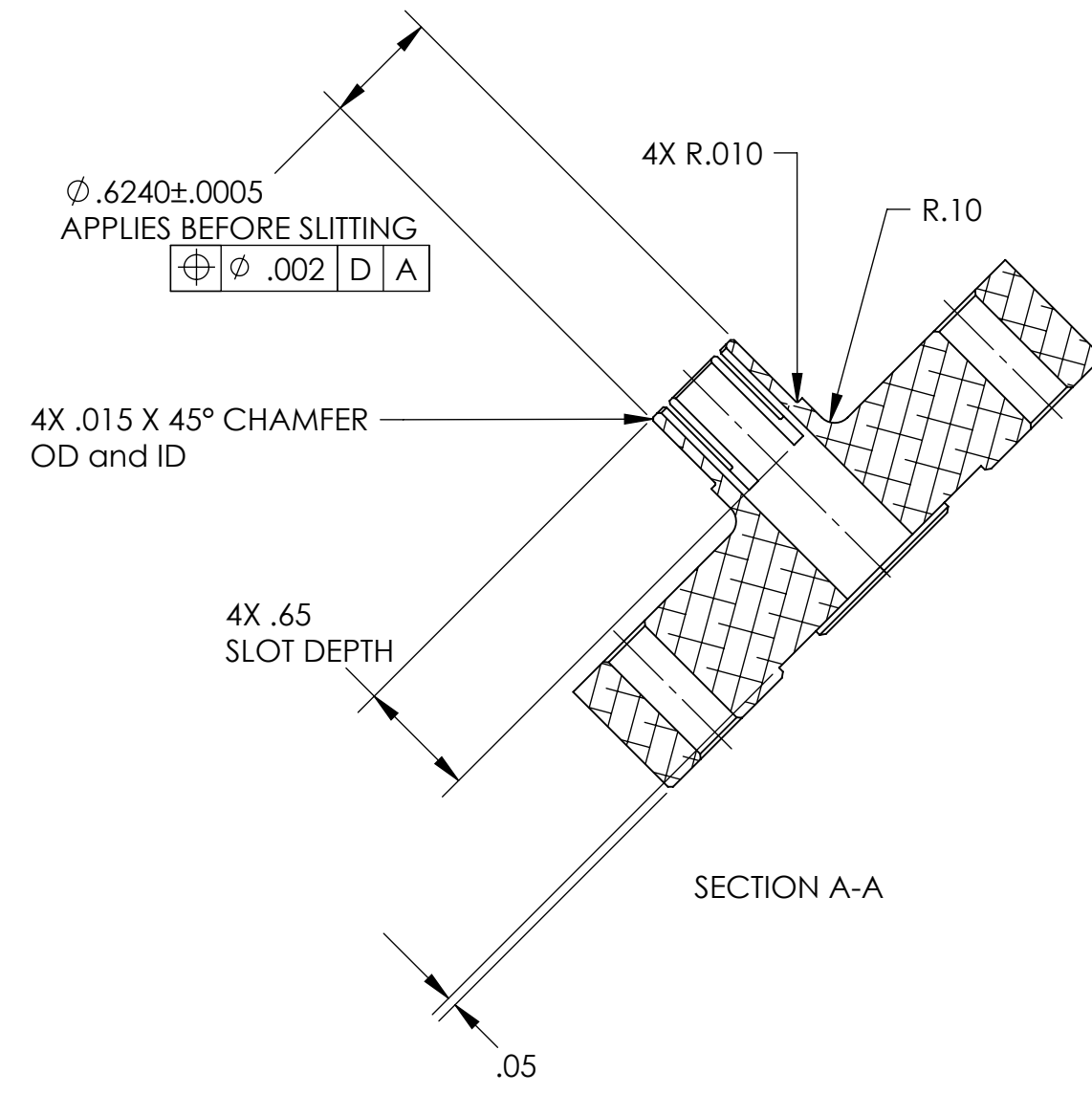
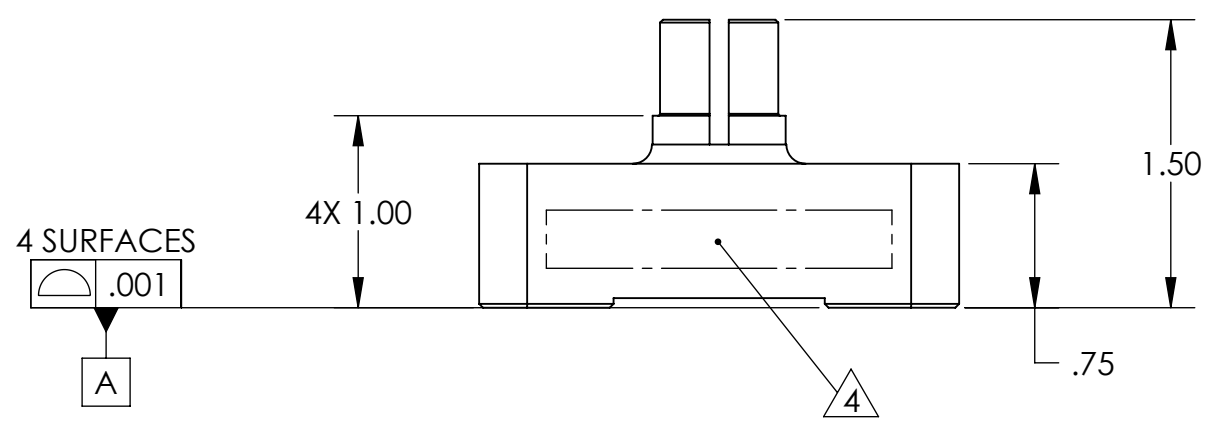
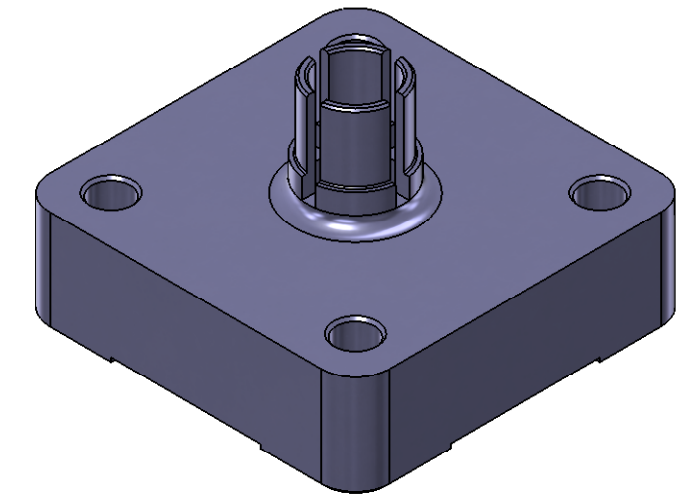
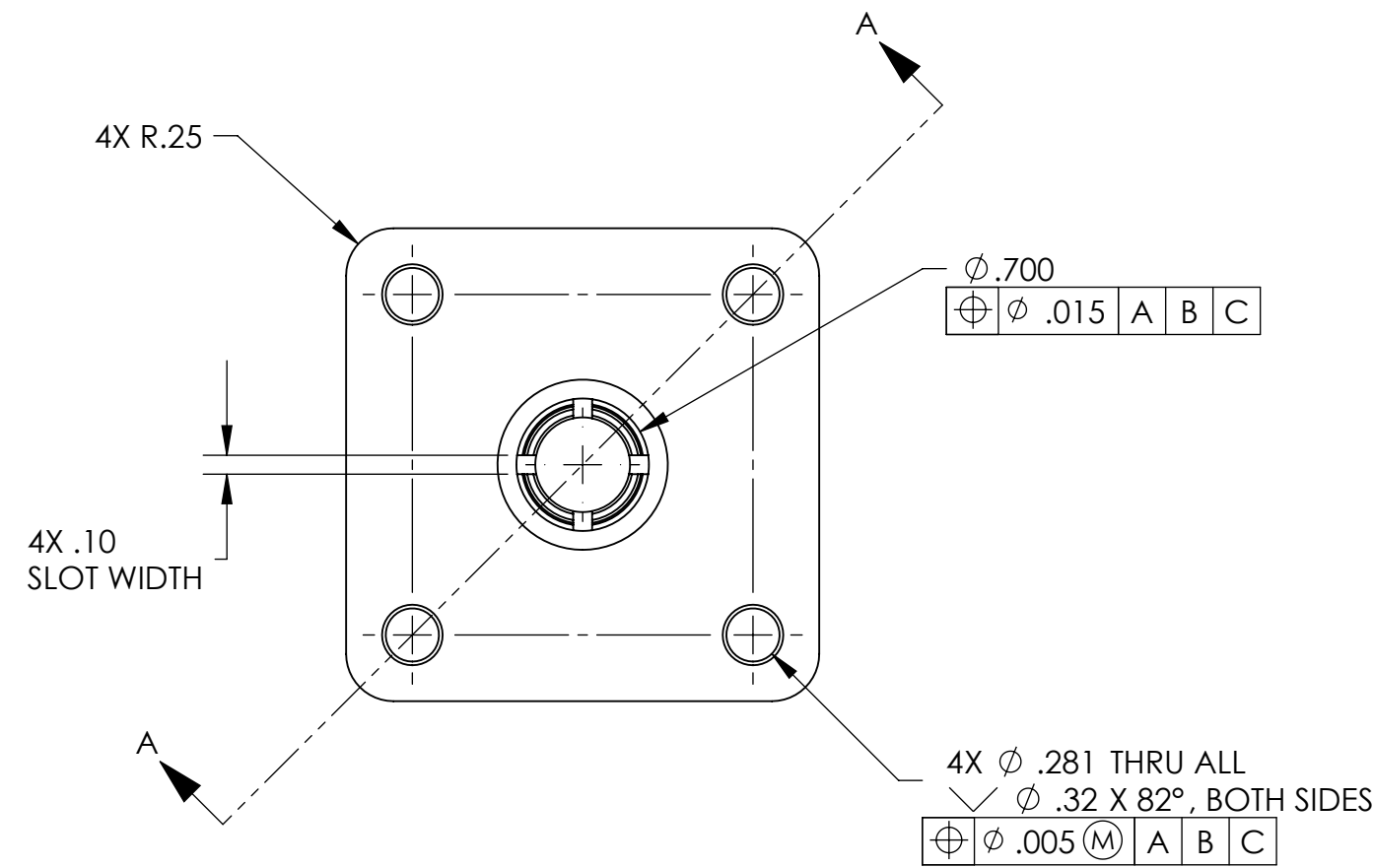


REVISION HISTORY				
REV	DATE	ECO	APPROVAL	DESCRIPTION
V1 / C	21 Jun 2007	1065	D. Senders	Release for Enhanced LIGO.
V2	13 Apr 2009		A. Stein	Release for Advanced LIGO. Added chamfers and c/sinks.



MANUFACTURING NOTES:

- 1) MACHINE ALL SURFACES TO REMOVE OXIDES AND MILL FINISH. ABRASIVE REMOVAL TECHNIQUES (OTHER THAN DRESSED BLANCHARD GRINDING) ARE NOT ACCEPTABLE.
- 2) ALL MACHINING FLUIDS MUST BE WATER SOLUBLE AND FREE OF SULFUR, CHLORINE, AND SILICONE, SUCH AS CINCINNATI MILACRON CIMTECH 410.
- 3) THOROUGHLY CLEAN PART TO REMOVE ALL OIL, GREASE, DIRT, AND CHIPS.
- 4) WHERE INDICATED, MECHANICALLY SCRIBE, STAMP, OR ENGRAVE THE FOLLOWING INFORMATION AS SHOWN BELOW: **PART NUMBER-REVISION** (AND TYPE IF INDICATED), FOLLOWED ON THE NEXT LINE WITH A UNIQUE 3-DIGIT **SERIAL NUMBER** STARTING AT 001 FOR THE FIRST PART AND INCREMENTING THEREAFTER. USE 0.38" TALL CHARACTERS UNLESS PART SIZE DICTATES SMALLER.

D071160-V2  
 S/N - ###

POST-MANUFACTURING NOTES:

P1) CLEAN TO LIGO STANDARDS, CLASS A (PER E0900047 AND E960022).

APPROVALS ENGINEERING (HPD): <b>D. Senders</b> 5/22/2007 QUALITY (HPD): <b>C. Danaher</b> 5/22/2007 MATERIAL: <b>6061-T6 Al</b> FINISH: <b>None</b> MASS: <b>0.4 lbs</b>		DATE <b>5/22/2007</b> <b>5/22/2007</b>		<b>UNLESS OTHERWISE SPECIFIED:</b> DIMENSIONS ARE IN INCHES DECIMAL TOLERANCES: .XX ±.015 .XXX ±.005 ANG TOL: ± 1° SURFACE ROUGHNESS: $R_{\text{A}} 6.3$ REMOVE ALL SHARP EDGES. LEAVE .005 X 45° MIN CHAMFER, OR .005 MIN RADIUS. THIS PRINT & THE EMBEDDED CAD MODEL ARE THE DOCUMENTATION OF RECORD, UNLESS OTHERWISE SPECIFIED. ALL DIMENSIONS IN THE MODEL ARE BASIC, WITH TOLERANCES GIVEN BY: $\frac{\text{A}}{.010}$ A B C		ORIGINAL DESIGN BY: <b>High Precision Devices</b> 1448 Valtec Lane, Suite C, Boulder, Colorado 80301 Phone: (303) 447-2558 Fax: (303) 447-2548 Web Site: www.hpd-online.com MODIFIED BY: 	
DESCRIPTION: <b>Sensor Target Mount</b>				P/N: <b>D071160</b> CONFIG: -		CAD FILE NAME: D071160_Sensor_Target_Mount	
PROJECT: HAM ISI, Advanced LIGO				SIZE SCALE: <b>1:1</b> DRAWN BY: <b>Dave Senders (HPD)</b> REV: <b>V2</b>		SHEET <b>1</b> OF <b>1</b> DATE PRINTED: <b>4/13/2009</b>	