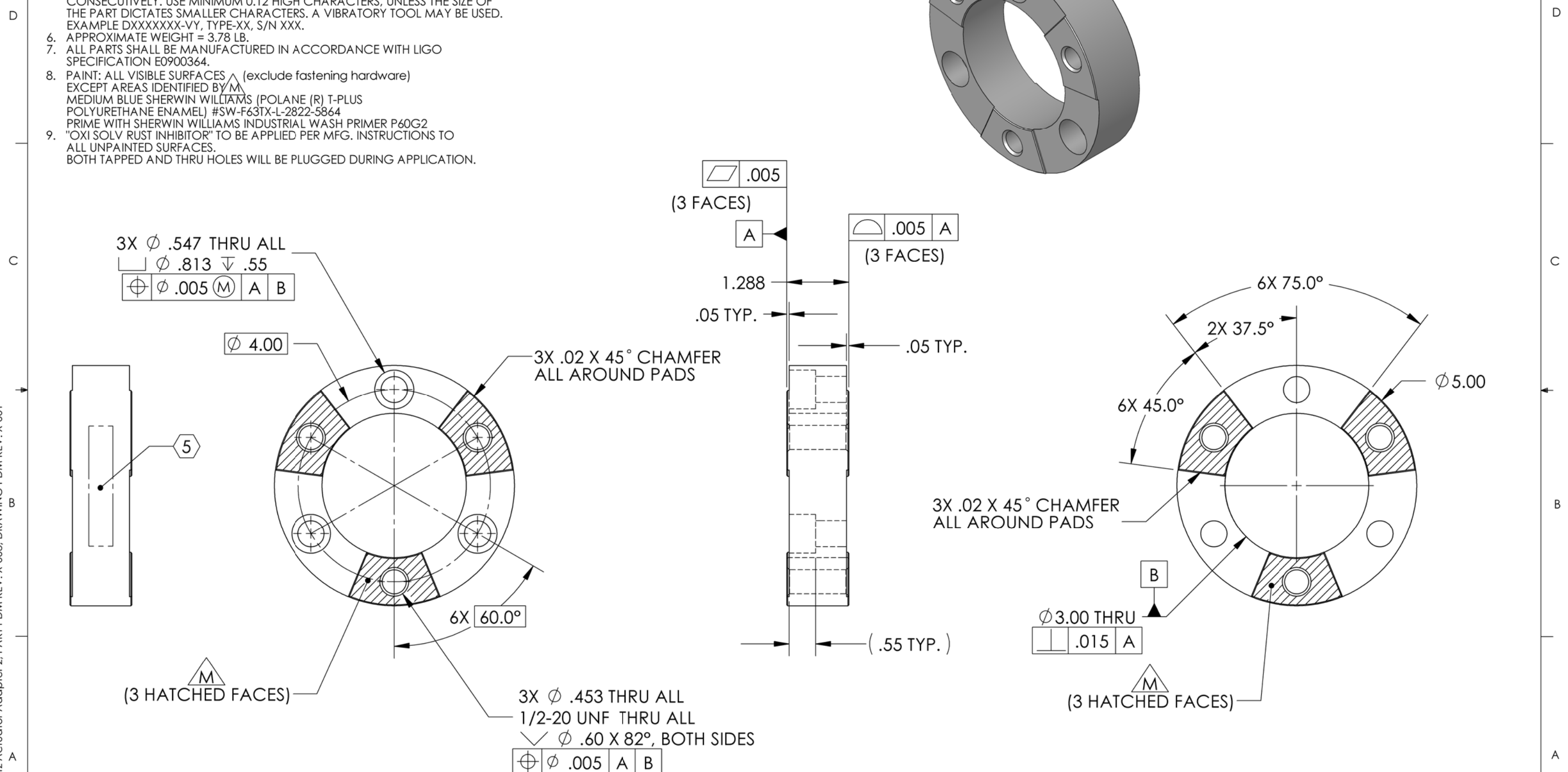
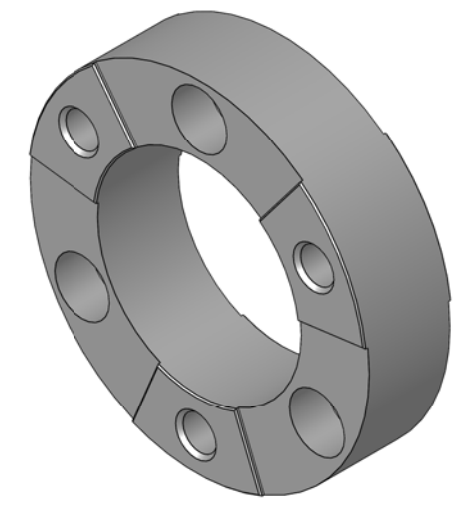


REV.	DATE	DCN #	DRAWING TREE #
v2	10 Mar 2011	E1100015	E1100016

NOTES CONTINUED:

4. ALL MACHINING FLUIDS MUST BE FULLY SYNTHETIC, FULLY WATER SOLUBLE AND FREE OF SULFUR, SILICONE AND CHLORINE.
5. SCRIBE, ENGRAVE, OR MECHANICALLY STAMP (NO INKS OR DYES) DRAWING PART NUMBER, REVISION (AND VARIANT OR "TYPE" IF APPLICABLE) ON NOTED SURFACE OF PART FOLLOWED ON THE NEXT LINE WITH A THREE DIGIT SERIAL NUMBER. SERIAL NUMBERS START AT 001 FOR THE FIRST ARTICLE AND PROCEED CONSECUTIVELY. USE MINIMUM 0.12 HIGH CHARACTERS, UNLESS THE SIZE OF THE PART DICTATES SMALLER CHARACTERS. A VIBRATORY TOOL MAY BE USED. EXAMPLE DXXXXXXX-VY, TYPE-XX, S/N XXX.
6. APPROXIMATE WEIGHT = 3.78 LB.
7. ALL PARTS SHALL BE MANUFACTURED IN ACCORDANCE WITH LIGO SPECIFICATION E0900364.
8. PAINT: ALL VISIBLE SURFACES (exclude fastening hardware) EXCEPT AREAS IDENTIFIED BY M MEDIUM BLUE SHERWIN WILLIAMS (POLANE (R) T-PLUS POLYURETHANE ENAMEL) #SW-F63TX-L-2822-5864 PRIME WITH SHERWIN WILLIAMS INDUSTRIAL WASH PRIMER P60G2 "OXI SOLV RUST INHIBITOR" TO BE APPLIED PER MFG. INSTRUCTIONS TO ALL UNPAINTED SURFACES. BOTH TAPPED AND THRU HOLES WILL BE PLUGGED DURING APPLICATION.



D080548 HAM HEPI Horz Actuator Adapter 2, PART PDM REV: X-003, DRAWING PDM REV: X-001

NOTES AND TOLERANCES: (UNLESS OTHERWISE SPECIFIED)				LIGO CALIFORNIA INSTITUTE OF TECHNOLOGY MASSACHUSETTS INSTITUTE OF TECHNOLOGY		PART NAME	
DIMENSIONS ARE IN INCHES TOLERANCES: .XX ± .015 .XXX ± .005 ANGULAR ± .5°				1. INTERPRET DRAWING PER ASME Y14.5-1994. 2. REMOVE ALL SHARP EDGES, R.02 MIN. 3. DO NOT SCALE FROM DRAWING. 4. ALL MACHINING FLUIDS MUST BE FULLY SYNTHETIC, FULLY WATER SOLUBLE AND FREE OF SULFUR, SILICONE, AND CHLORINE.		HAM HEPI Horz Actuator Adapter 2	
MATERIAL AISI 1020 Steel, Cold Rolled		FINISH 63 $\mu$ inch		SYSTEM ADVANCED LIGO		SUB-SYSTEM SEI	
NEXT ASSY D1100145, D1100147				DESIGNER A. STEIN		DATE 27 Jan. 2009	
				DRAFTER M.HILLARD		DATE 10 Mar. 2011	
				CHECKER A.STEIN		DATE 16 June 2008	
				APPROVAL K.MASON		DATE 10 Mar 2011	
				SIZE B		DWG. NO. D080548	
				SCALE 1:2		PROJECTION FIRST ANGLE	
						SHEET 1 OF 1	
						REV. v2	