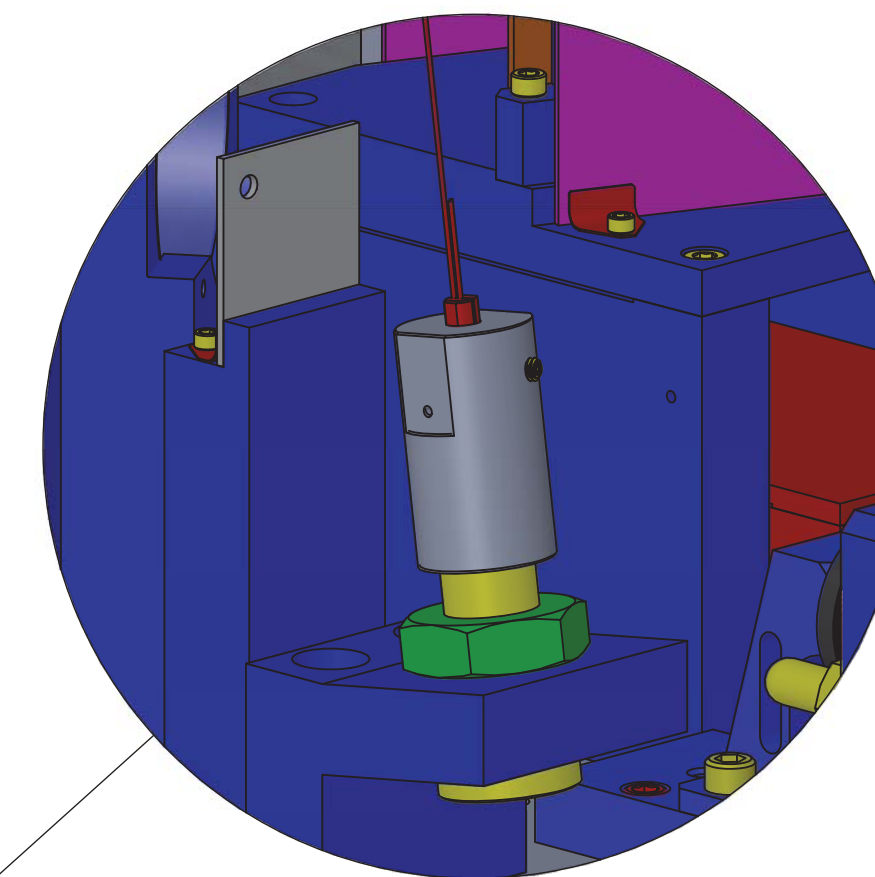
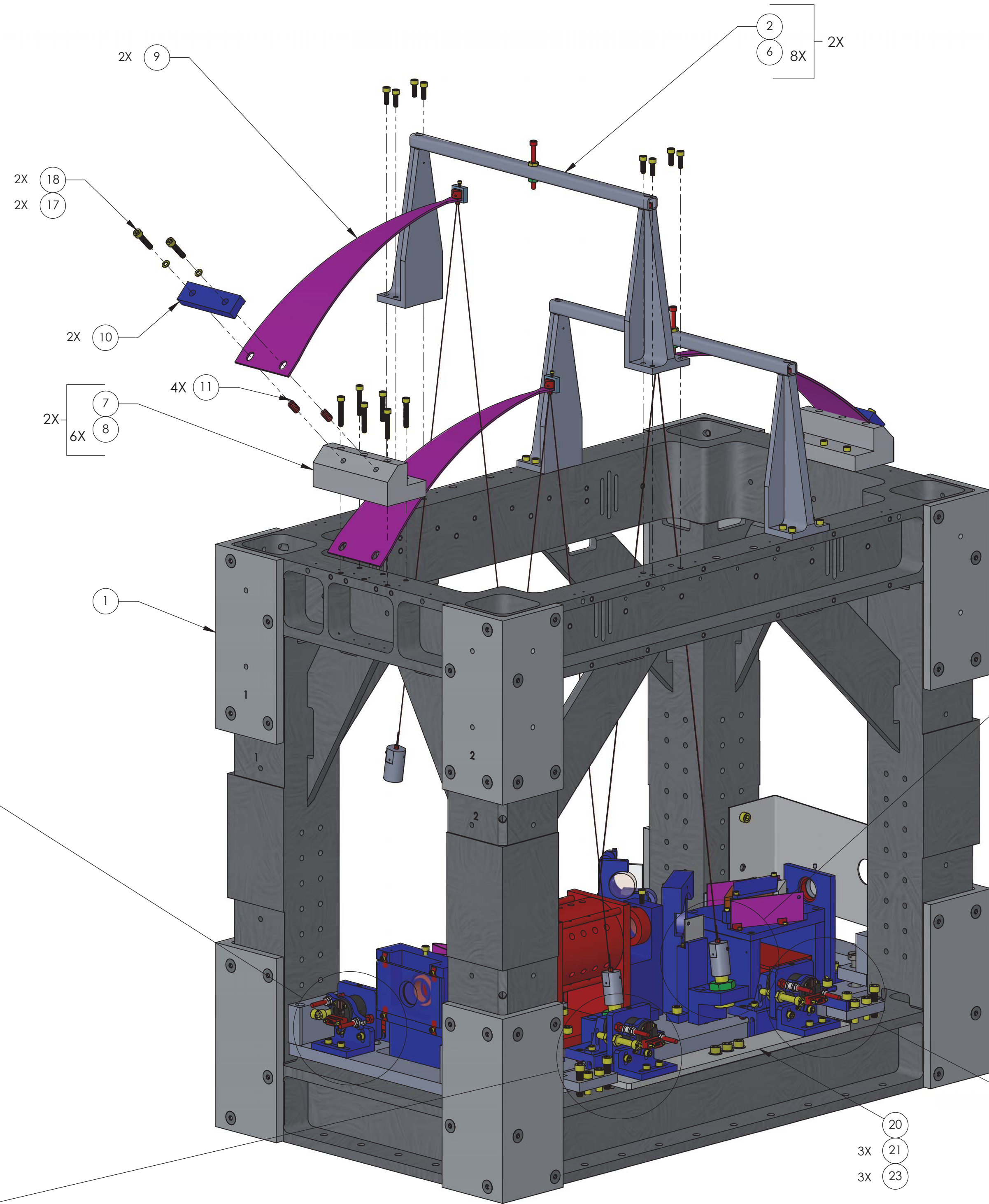


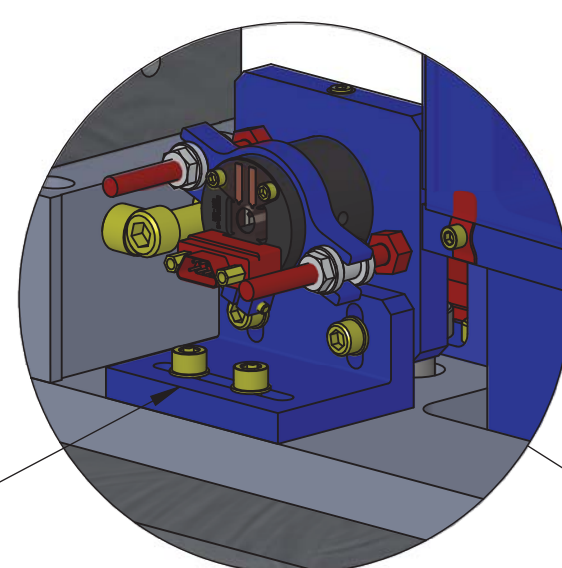
NOTES CONTINUED

- 5. ALL HELI-COIL INSERTS TO BE INSTALLED BY LIGO PERSONNEL AFTER DELIVERY OF FINISHED PARTS. USE NITRONIC 60 THREADED INSERTS.
- 6. ALIGN DAMPER PLATE MOUNTING BRACKETS (2X D1200184, 1X D1200185, 1X D1200186) USING THE TOOLING D1201449 TABLE HEIGHT GAUGE AS SHOWN IN DETAIL "F".

REV.	DATE	DCN #	DRAWING TREE #
v3	17 APR 2012	E1000563	
v6	27 SEP 2017	E1700282-x0	-
-	-	-	-

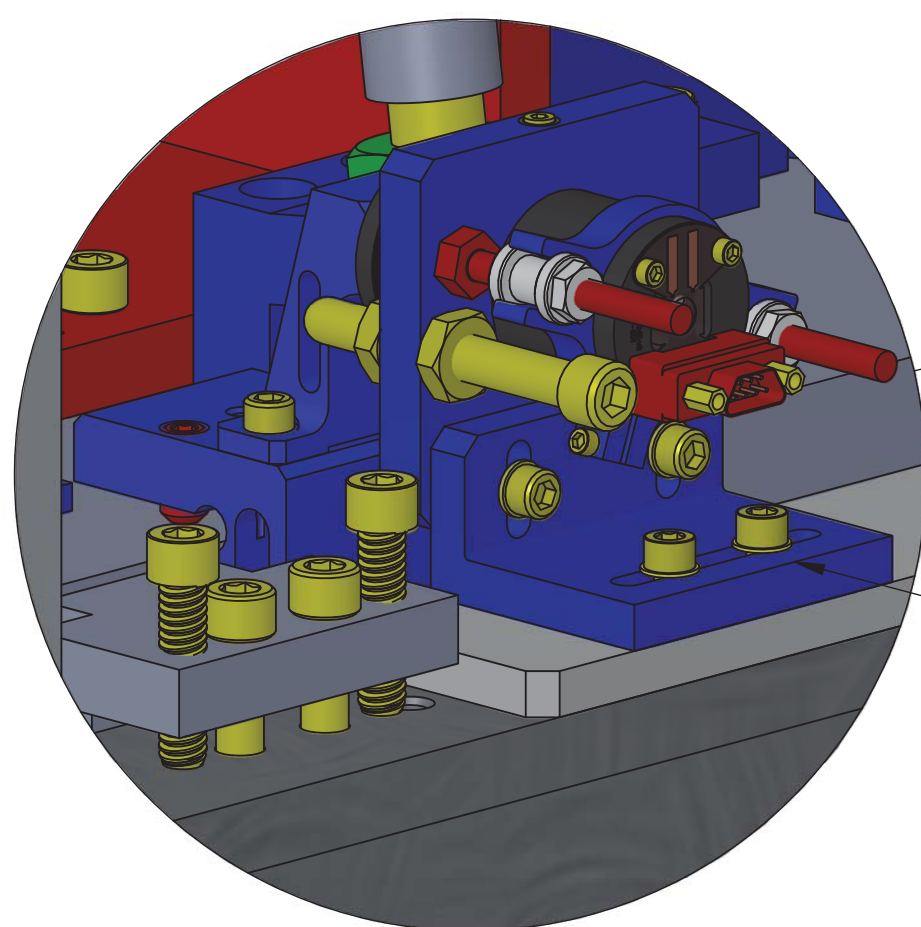


4X DETAIL A
SCALE 1 : 1



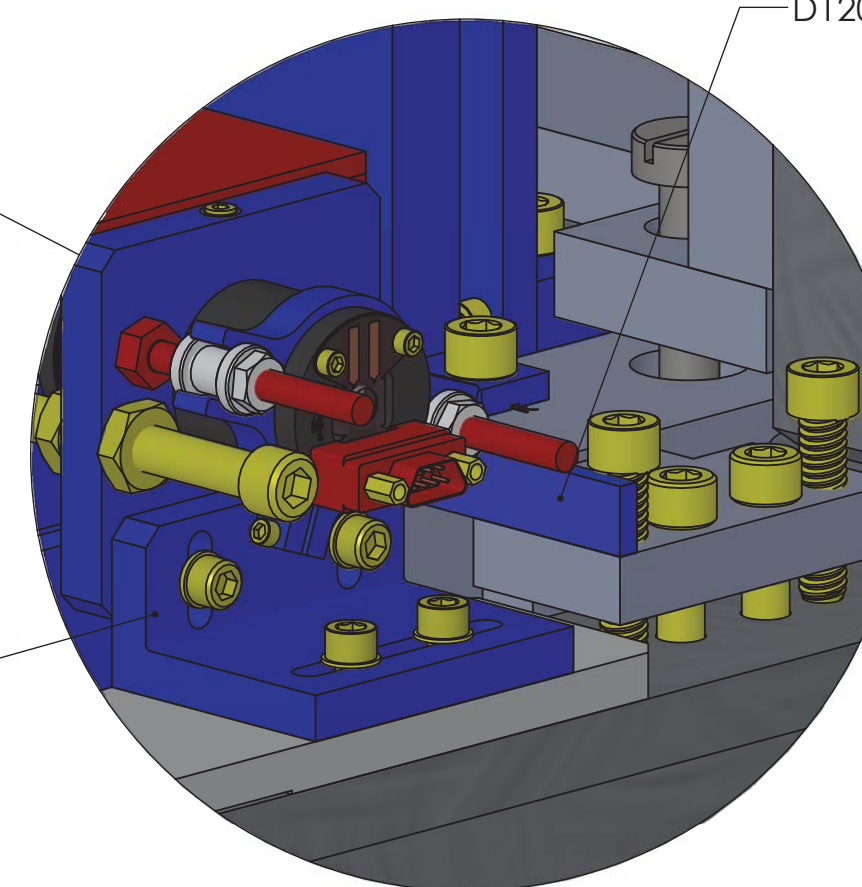
DETAIL G
SCALE 2 : 3

- 19
- 2X 24
- 2X 22



DETAIL E
SCALE 1 : 1

- 19
- 2X 24
- 2X 22



4X DETAIL F
SCALE 1 : 1

- 20
- 3X 21
- 3X 23

- 19
- 2X 24
- 2X 22

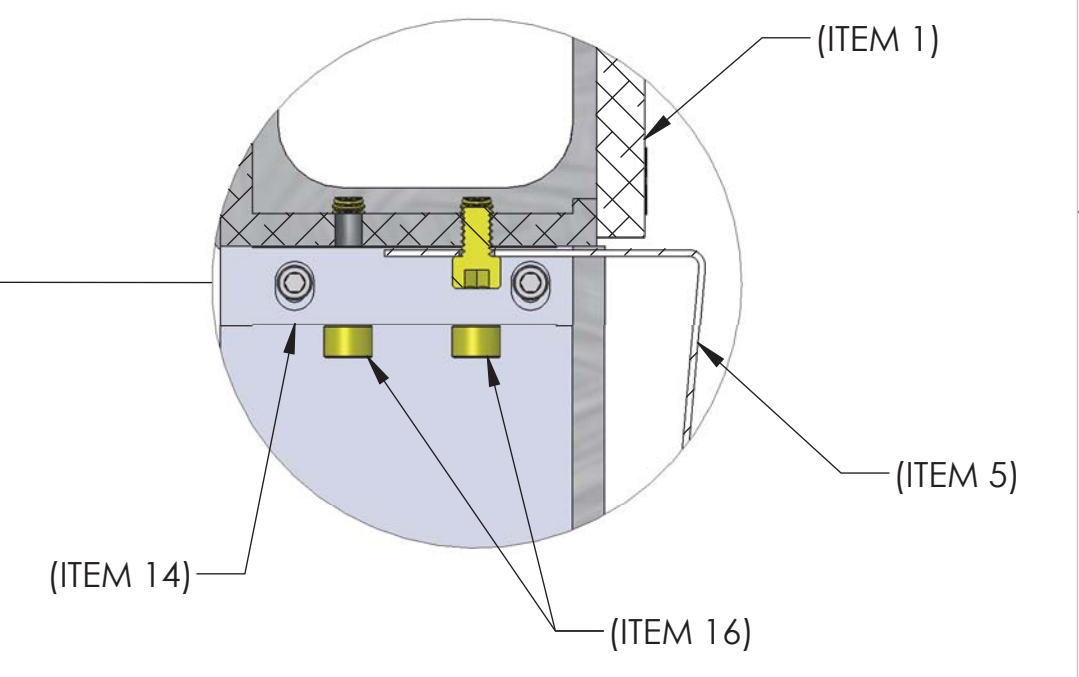
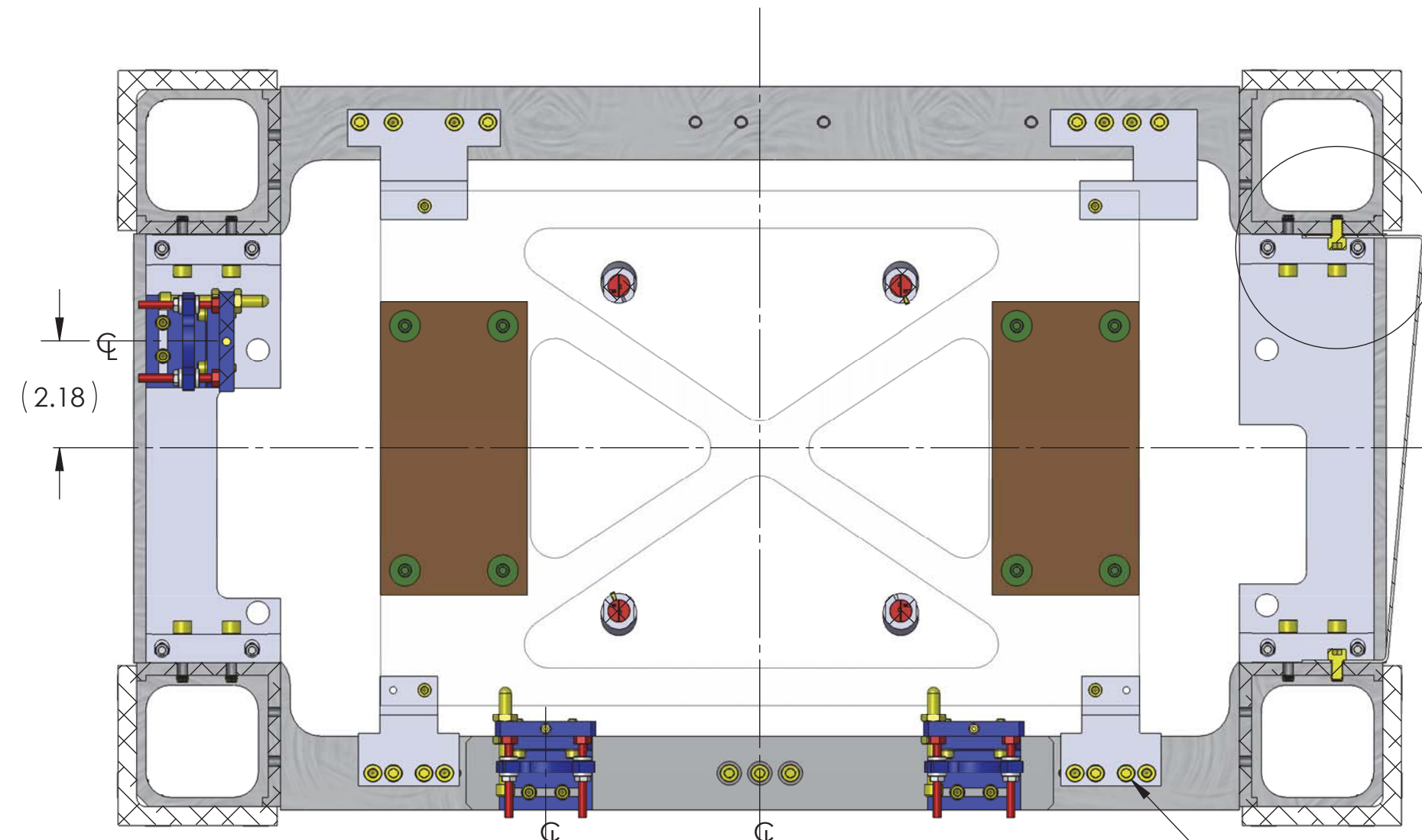
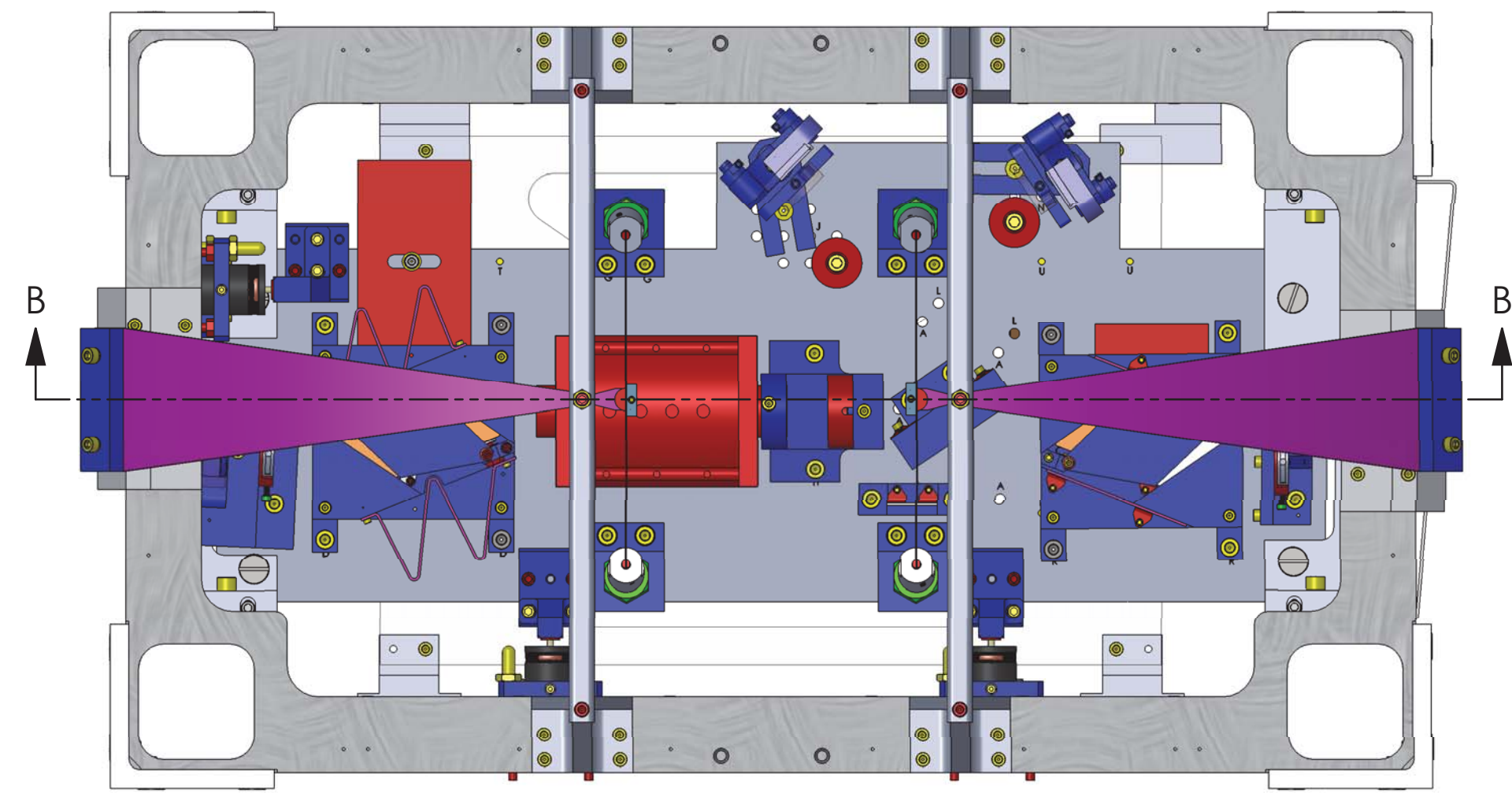
ITEM NO.	PART NUMBER	DESCRIPTION	MATERIAL	Default/REQ
24	NASC620-C8 OR EQ.	WASHER, FLAT, NO. 8	300 SSSL	6
23	C-2012-N UC COMPONENTS OR EQ.	SCREW, SHC, 1/4-20 X .75 LG.	18-8 SSSL	3
22	C-808-A UC COMPONENTS OR EQ.	SCREW, SHC, 8-32 X .50 LG., Ag PLATED (VENTED)	18-8 SSSL	6
21	WFV-25	WASHER, VENTED FLAT .255 ID X .468 OD X .031TK. UC-COMPONENTS	Stainless Steel (ferritic)	3
20	D1700409	gLIGO, AOS, OFI, AOSEM ADAPTER BAR	6061-T6 Al	1
19	D0901924	AOSEM ALIGNMENT ASSY, INTERMEDIATE MASS	N/A	3
18	C-2014	SCREW, SOC HD CAP, 1/4-20 X .875, VENTED, 18-8 SST		4
17	WFV-25	WASHER, 1/4 VENTED FLAT, .255 ID X .468 OD X .032 THK, 18-8 SST	300 SSSL	4
16	C-2006-N	SCREW, SHC, 1/4-20 x 3/8, 18-8 SST	300 SSSL	2
15	92200A542 McMASTER CARR OR EQ.	Screw, Soc Hd Cap, 1/4-20 UNC-2A X 1.00 L	300 SSSL	8
14	C-2020-N UC COMPONENTS OR EQ.	SCREW, SHC, 1/4-20 x 1.25 LG.	300 SSSL	8
13	D0900048	DAMPER HOLDER ASSEMBLY	--	1
12	D0900623	FARADAY ISOLATOR TABLE ASSY	N/A	1
11	1185-4EN500	#1/4-20 X .500 HELICOIL (Emhart P/N 1185-4EN500)	Nitronic 60	4
10	D0900566	UP BLADE CLAMP TOP	6061-T6 Al	2
9	D0900586	UPPER WIRE ASSEMBLY	N/A	2
8	C-816-N	SCREW, SOC HD CAP 8-32 x 1, 18-8 SST		12
7	D0901514	BLADE CLAMP PLATFORM	6061-T6 Al	2
6	C-808-N	SCREW, SHC, 8-32 x 1/2, MS16995-26,	300 SSSL	16
5	D0900170	EARTHQUAKE CROSSBAR ASSY	--	1
4	D1002256	EARTHQUAKE CROSSBAR_IN ASSY	--	1
3	D0902845	REFLECTION BAFFLE	A424 TYPE I, 18GA, SSSL	1
2	D0900579	BLADE GUARD ASSY	--	2
1	D0900655	STRUCTURAL WELDMENT ASSY, OMCS	N/A	1

PARTS LIST

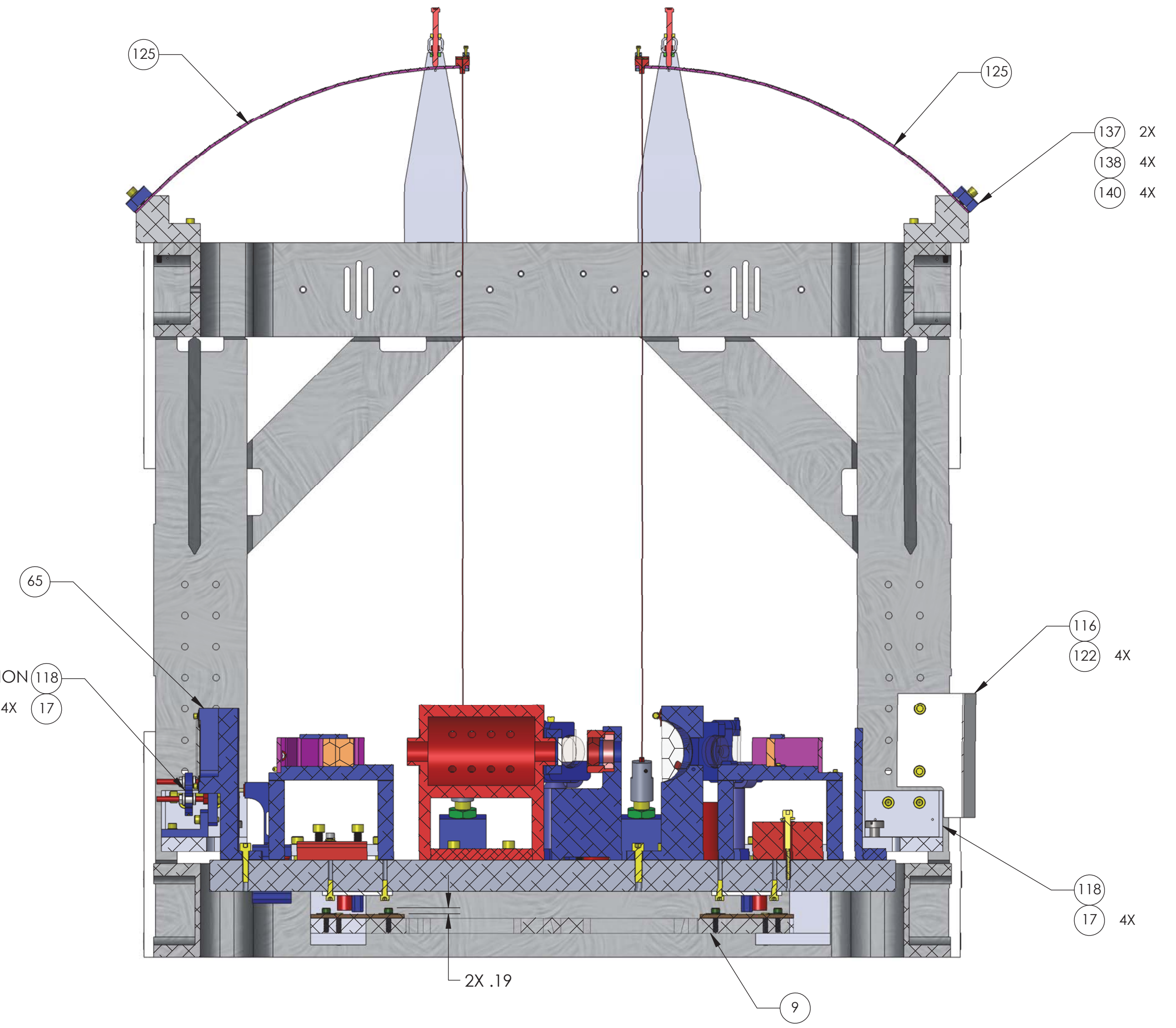
NOTES AND TOLERANCES: (UNLESS OTHERWISE SPECIFIED)		LIGO CALIFORNIA INSTITUTE OF TECHNOLOGY MASSACHUSETTS INSTITUTE OF TECHNOLOGY	
DIMENSIONS ARE IN INCHES		SYSTEM	SUB-SYSTEM
		ADVANCED LIGO	AOS
MATERIAL	FINISH	NEXT ASSY	
--	-- μinch	D0901134, D0900527	

PART NAME			
FARADAY ISOLATOR ASSEMBLY			
DESIGNER	SIZE	DWG. NO.	REV.
DRAFTER	MRUIZ	09/10/2010	D
CHECKER	D0900136		v6
APPROVAL	SCALE: 1:3	PROJECTION:	SHEET 1 OF 2

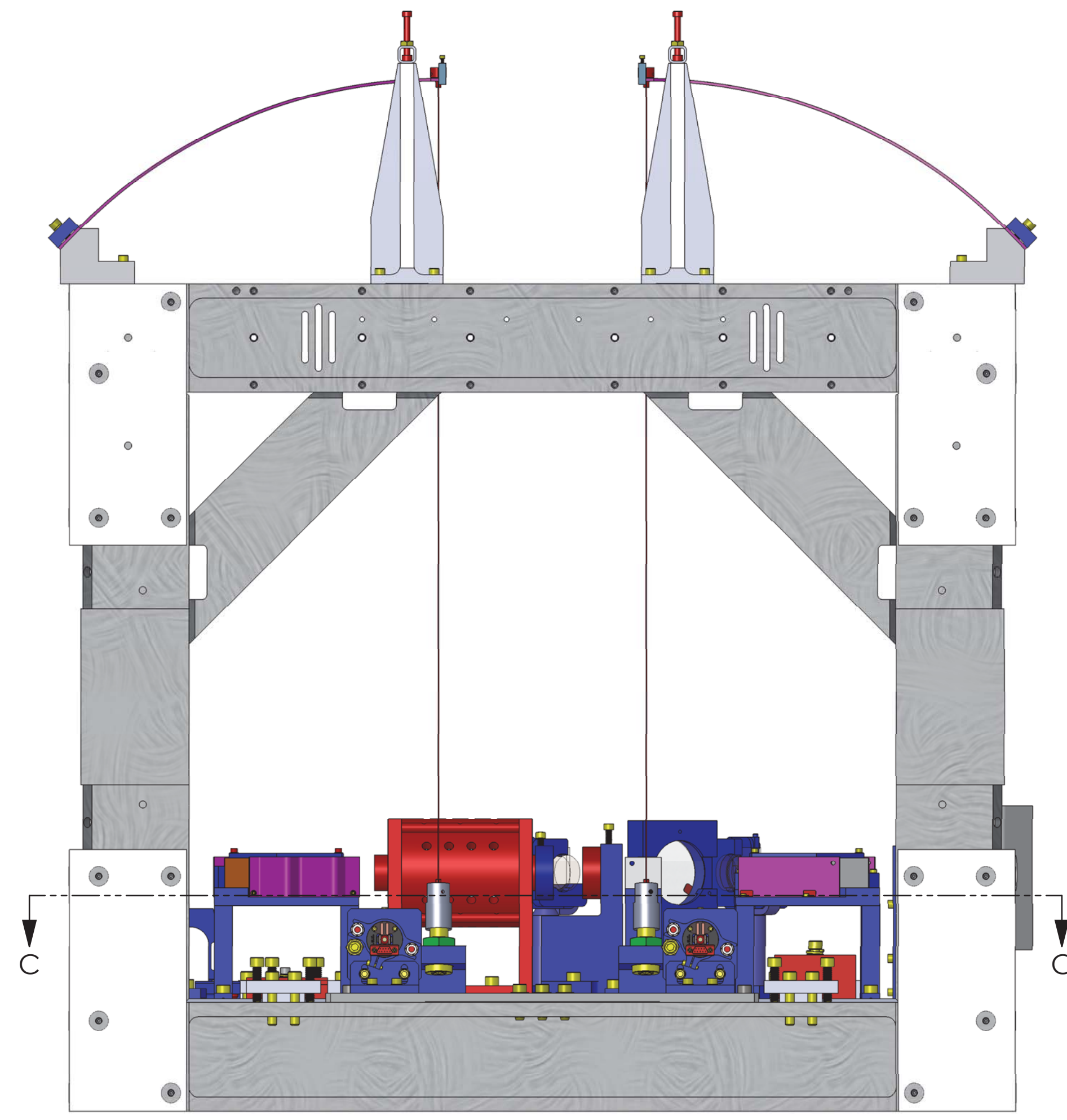
D0900136_AdiLIGO_AOS_Faraday Isolator Assy, PART PDM REV: X-204, DRAWING PDM REV: X-036



DETAIL D
SCALE 2 : 3



SECTION B-B



LIGO CALIFORNIA INSTITUTE OF TECHNOLOGY MASSACHUSETTS INSTITUTE OF TECHNOLOGY		REV.
SIZE DWG. NO.	D0900136	V6
SCALE: 1:3	PROJECTION:	SHEET 2 OF 2

D0900136_AdlIGO_ACS_Faraday shielder Assy. PART PDM REV. X-204 DRAWING PDM REV. X-036