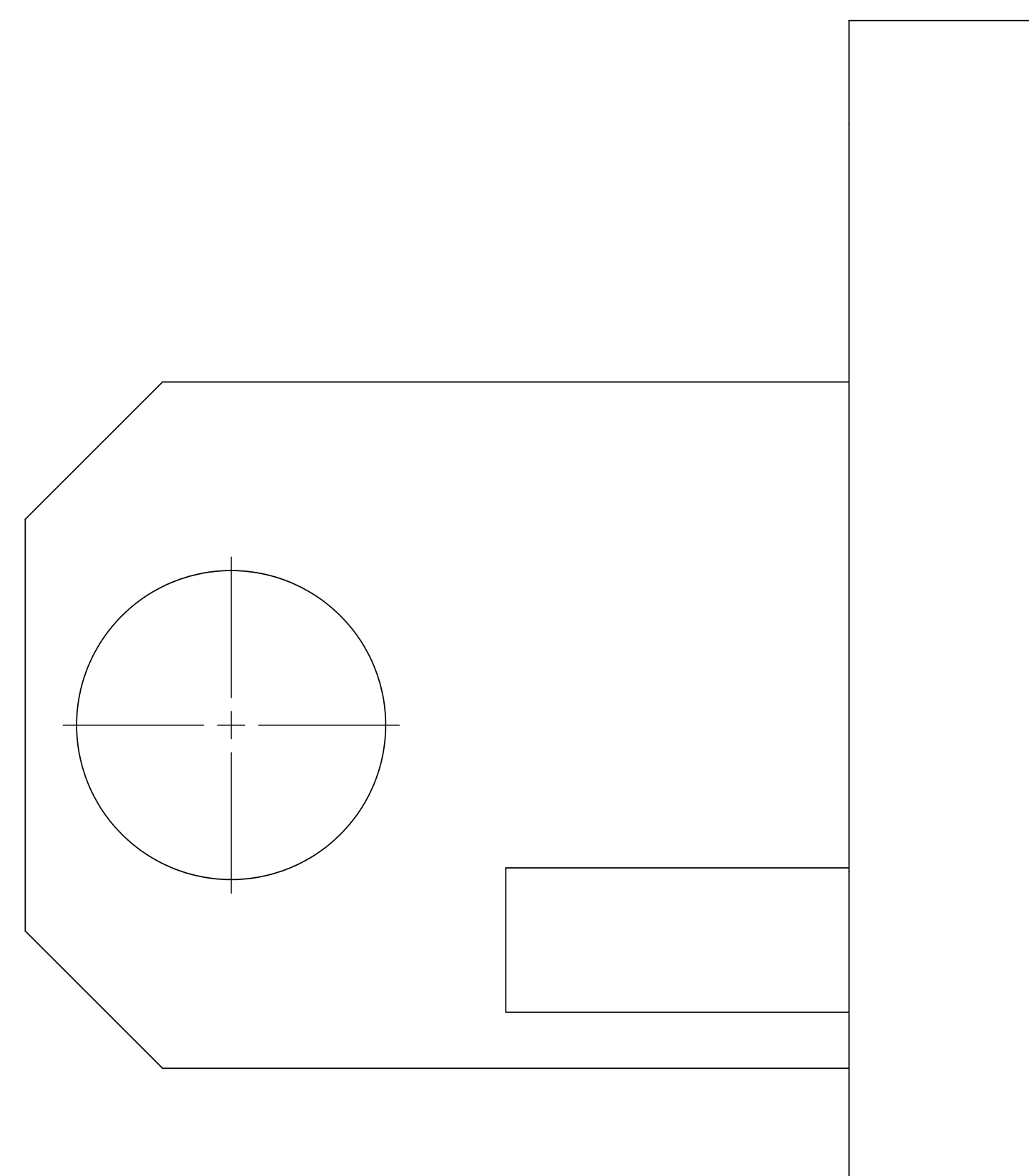
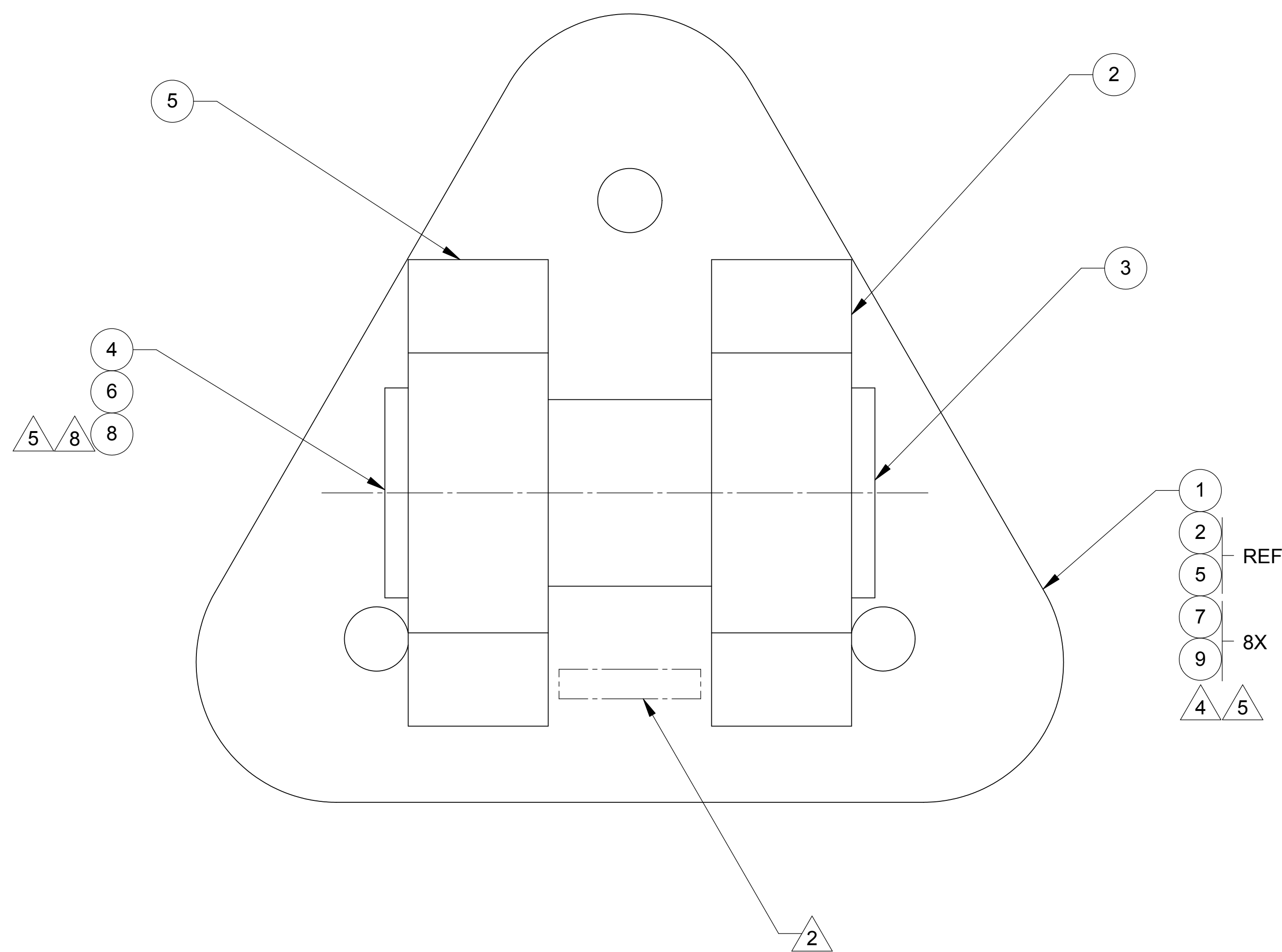
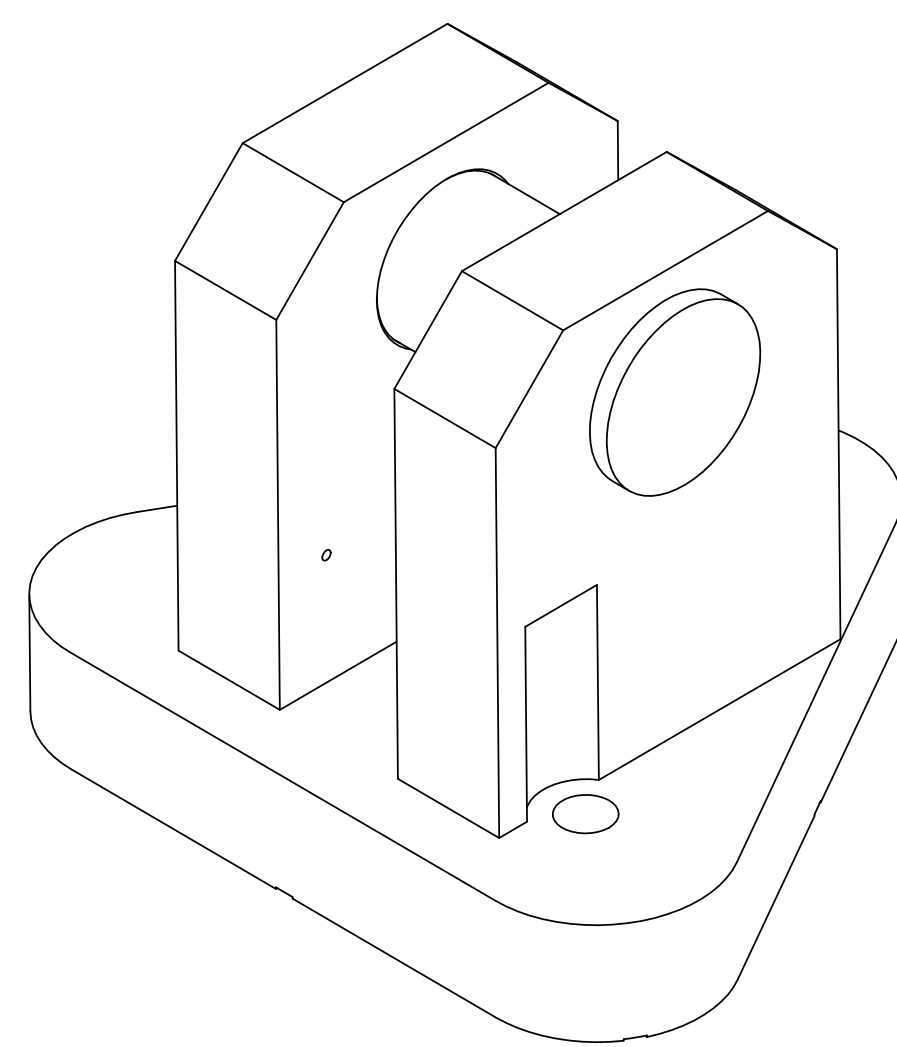


LTR		REVISIONS										DWN	CHK	P-ENG	CONFIG	ME	STRS	MATL	PROJ	QA	RELEASE DATE	
A		INITIAL RELEASE																				



NOTES: UNLESS OTHERWISE SPECIFIED.

- ALL PARTS SHALL BE MANUFACTURED IN ACCORDANCE WITH ASI SPECIFICATION 20008225 (LIGO E048225).
- MARK PART AND SERIAL NUMBER IN LOCATION APPROXIMATELY AS SHOWN USING 0.13-INCH HIGH CHARACTERS IN ACCORDANCE WITH 20006686, TYPE I, CLASSES 4, 5, OR 6. SERIAL NUMBERS START AT 001 FOR FIRST PART AND PROCEED CONSECUTIVELY. PARTS TOO SMALL TO MARK SHALL BE IDENTIFIED IN ACCORDANCE WITH 20006686, TYPE II.
- RECORD WEIGHT TO NEAREST 0.1 LB ON INSPECTION REPORT AFTER FINAL ASSEMBLY. ESTIMATED WEIGHT IS 45.9 LBS.
- TORQUE FASTENER TO 180 IN-LBS.
- SOURCE OF SUPPLY: U-C COMPONENTS, INC
MORGAN HILL, CA 95037
- BOLT TORQUING PROCEDURE SHALL ENSURE THAT THE SPECIFIED TORQUE IS APPLIED WITHIN A TOLERANCE OF +5% / -10%.
- ALL SCREWS SHALL BE SILVER PLATED. DIMENSIONAL TOLERANCES PER UNC/UNF-2A APPLY AFTER PLATING.
- TORQUE FASTENER TO 12 IN-LBS.

QTY	REGD	ITEM NO	REF DES	CAGE NO	PART OR IDENTIFYING NO	NOMENCLATURE OR DESCRIPTION	SPECIFICATION	MATERIAL OR NOTE	ZONE
5		8	9		C1332-A	SCREW, SHC	500-13 UNC X 2.00 L	CRES A286	
5		1	8		C1616-A	SCREW, SHC	.375-16 UNC X 1.000 L	CRES 18-8	
5		8	7		WFV-50	WASHER, FLAT, VENTED	.515 ID, .575 OD, .032 THK	CRES 18-8	
5		1	6		WFV-38	WASHER, FLAT, VENTED	.390 ID, .625 OD, .032 THK	CRES 18-8	
		1	5		20008046-1	PLATE, LIFT HOOK - RIGHT			
		1	4		20008017-1	RETAINER, LIFT PIN			
		1	3		20008045-1	PIN, LIFT HOOK			
		1	2		20008046-2	PLATE, LIFT HOOK - LEFT			
		1	1		20008047-1	BASE, LIFT HOOK			

CONTRACT NO: 20007845
NEXT ASSEMBLY: 1388
APPLICATION: LIFT HOOK ASSY

UNLESS OTHERWISE SPECIFIED DIMENSIONS ARE IN INCHES
TOLERANCES: DECIMALS: .XX ± .03 ANGLES: XXX ± .010 ± 12°
MACHINE FINISH: V
DO NOT SCALE DRAWING INTERPRET DWG PER ASME Y14.5M - 1994

SEE PARTS LIST

RELEASED 3/4/2005

ALLIANCE SPACESYSTEMS, INC.
1250 Lincoln Ave., Suite 100
Pasadena, CA 91103

LIFT HOOK ASSY
BSC ASSY
LIGO-D048048-A

SCALE 1:1

UNCLASSIFIED SHEET 1 OF 1