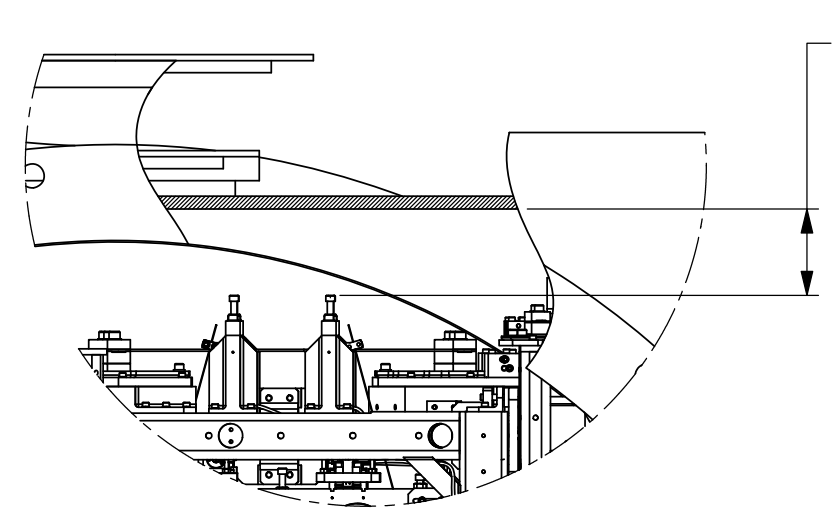
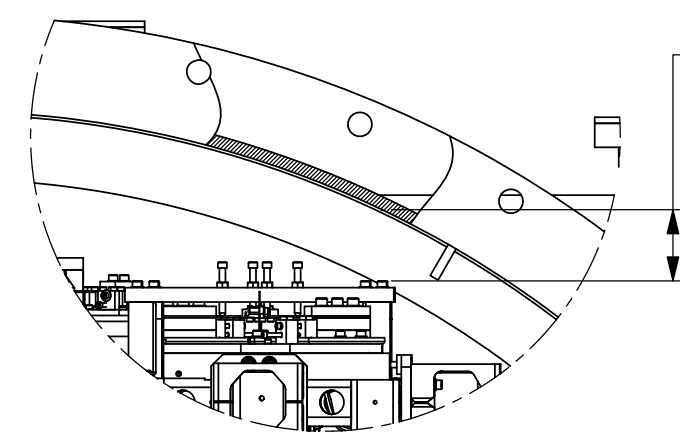


REV	DATE	DCN #	DRAWING TREE #
v10	25 OCT 2013	E1300798-x0	



APPROX.
3.60
[91.4]

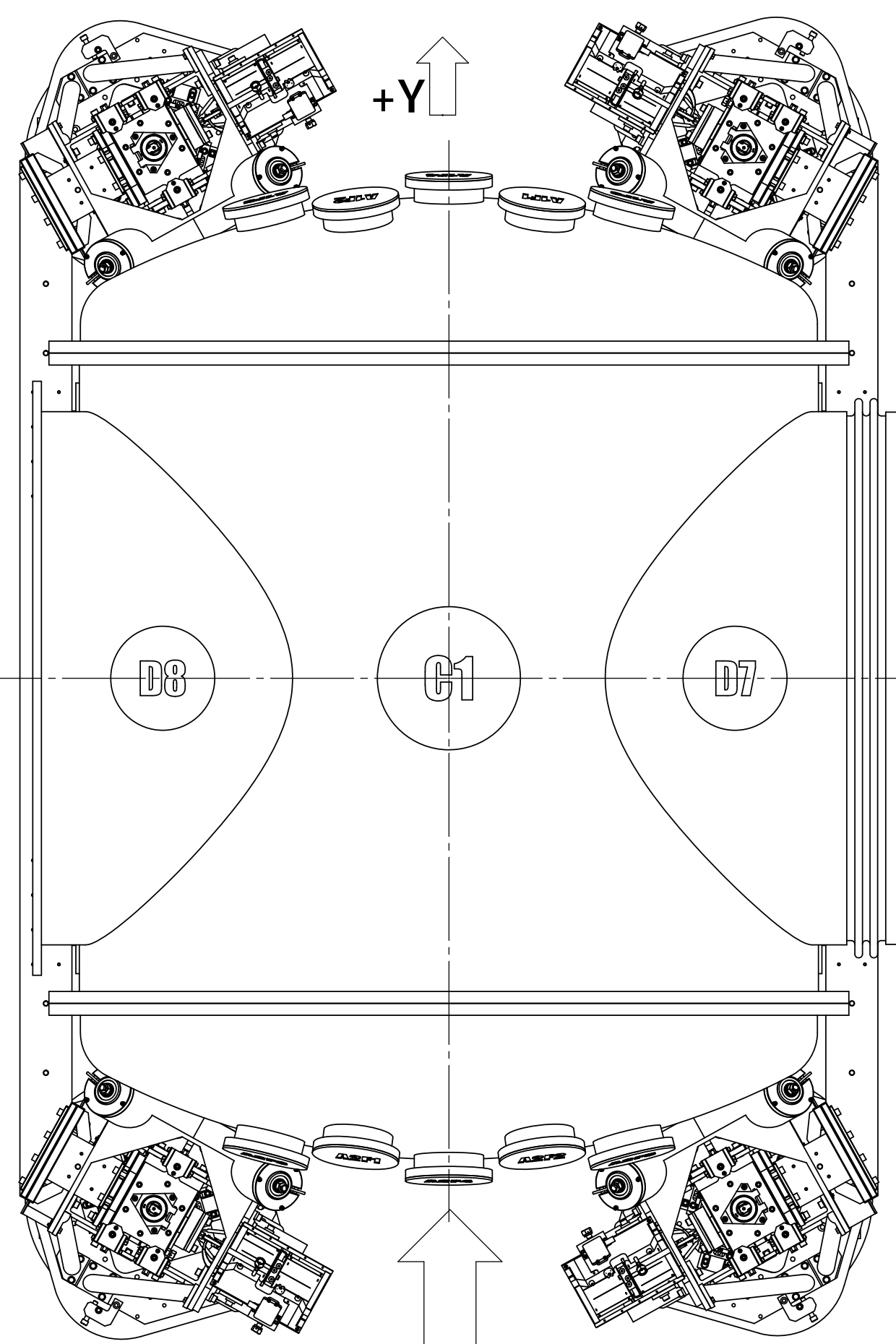
DETAIL A
SCALE 1 : 8



APPROX.
2.97
[75.4]

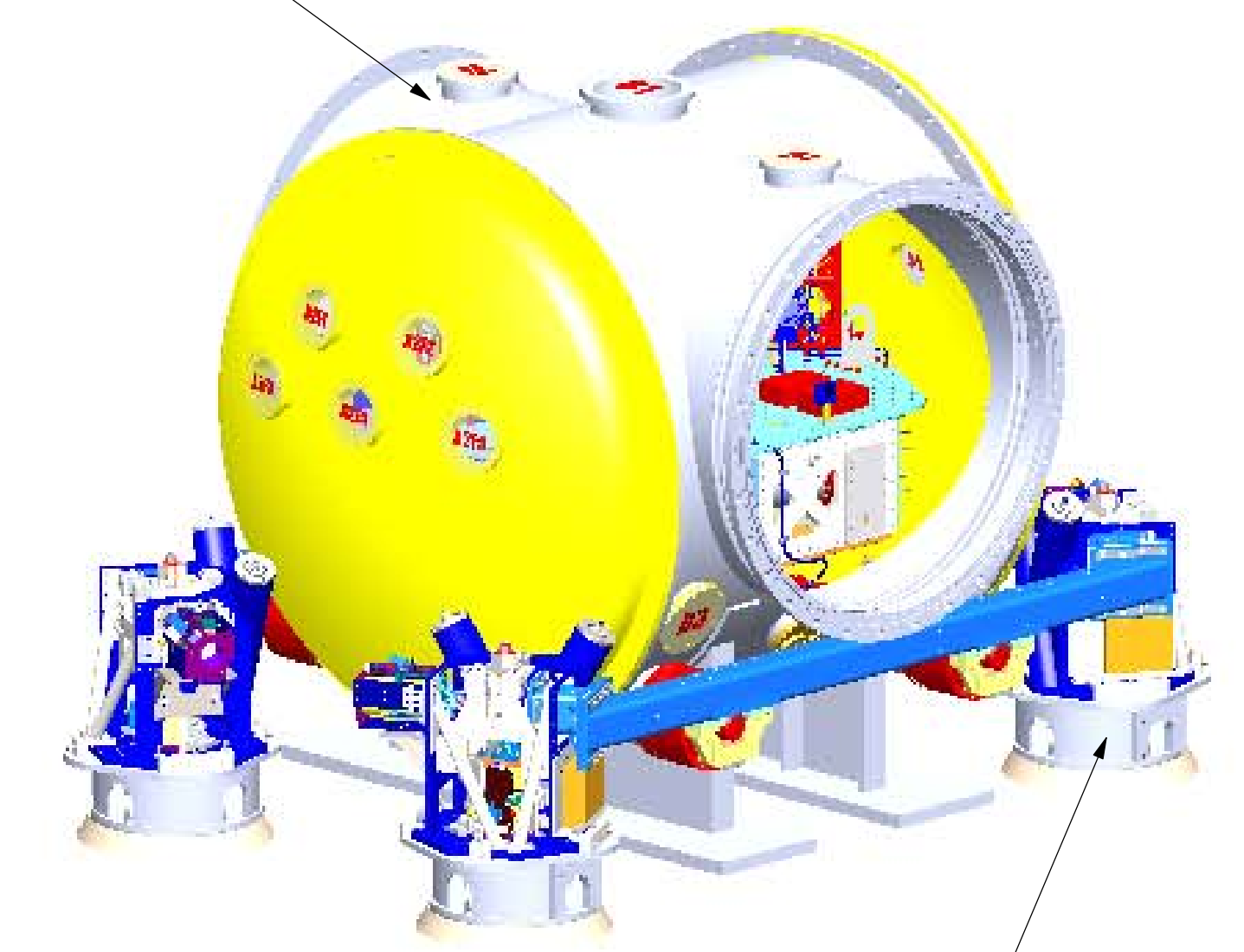
DETAIL B
SCALE 1 : 8

NOZZLE "B"



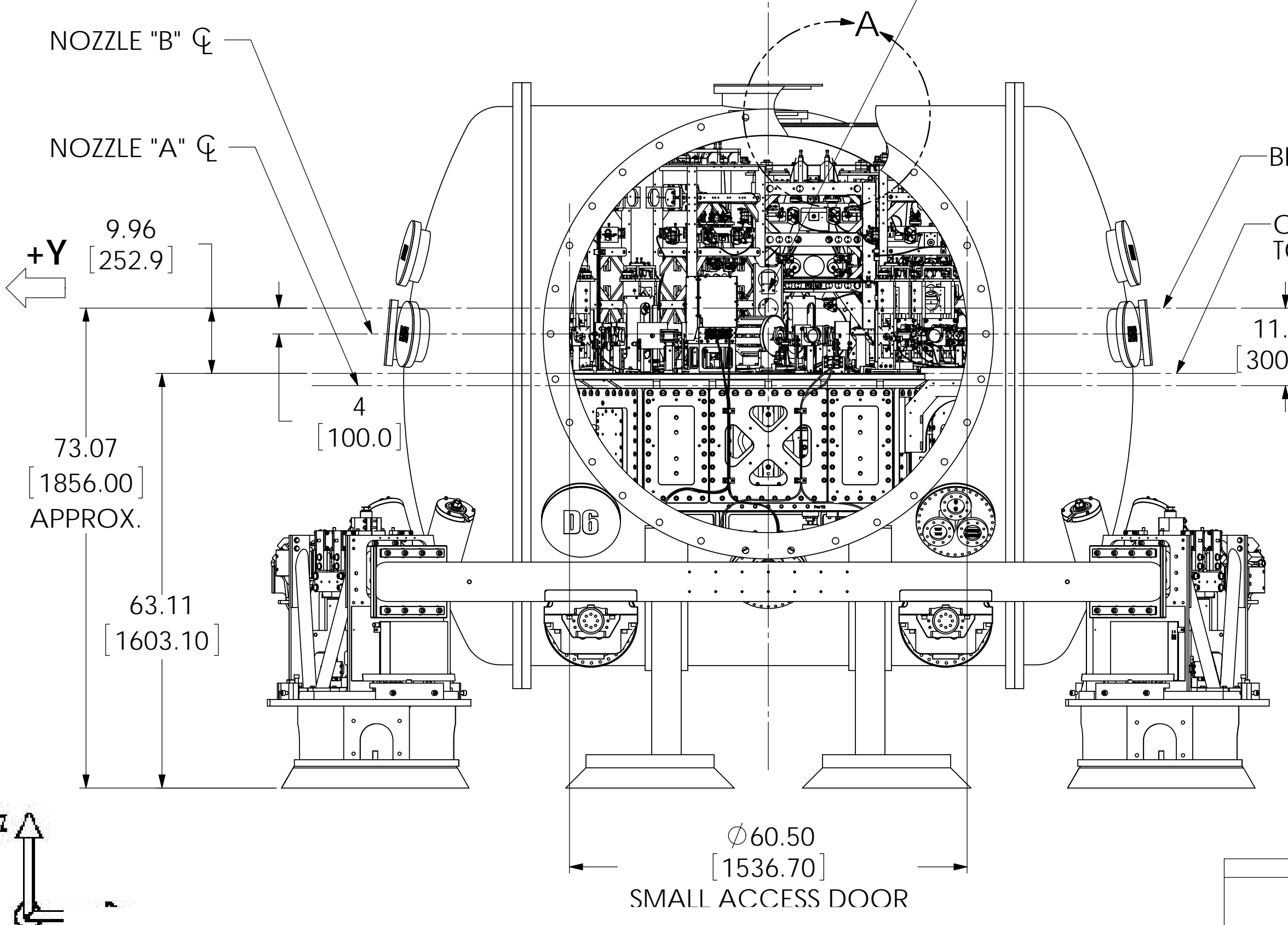
NOZZLE "A"
TOP VIEW

D0900366
VE ASSEMBLY

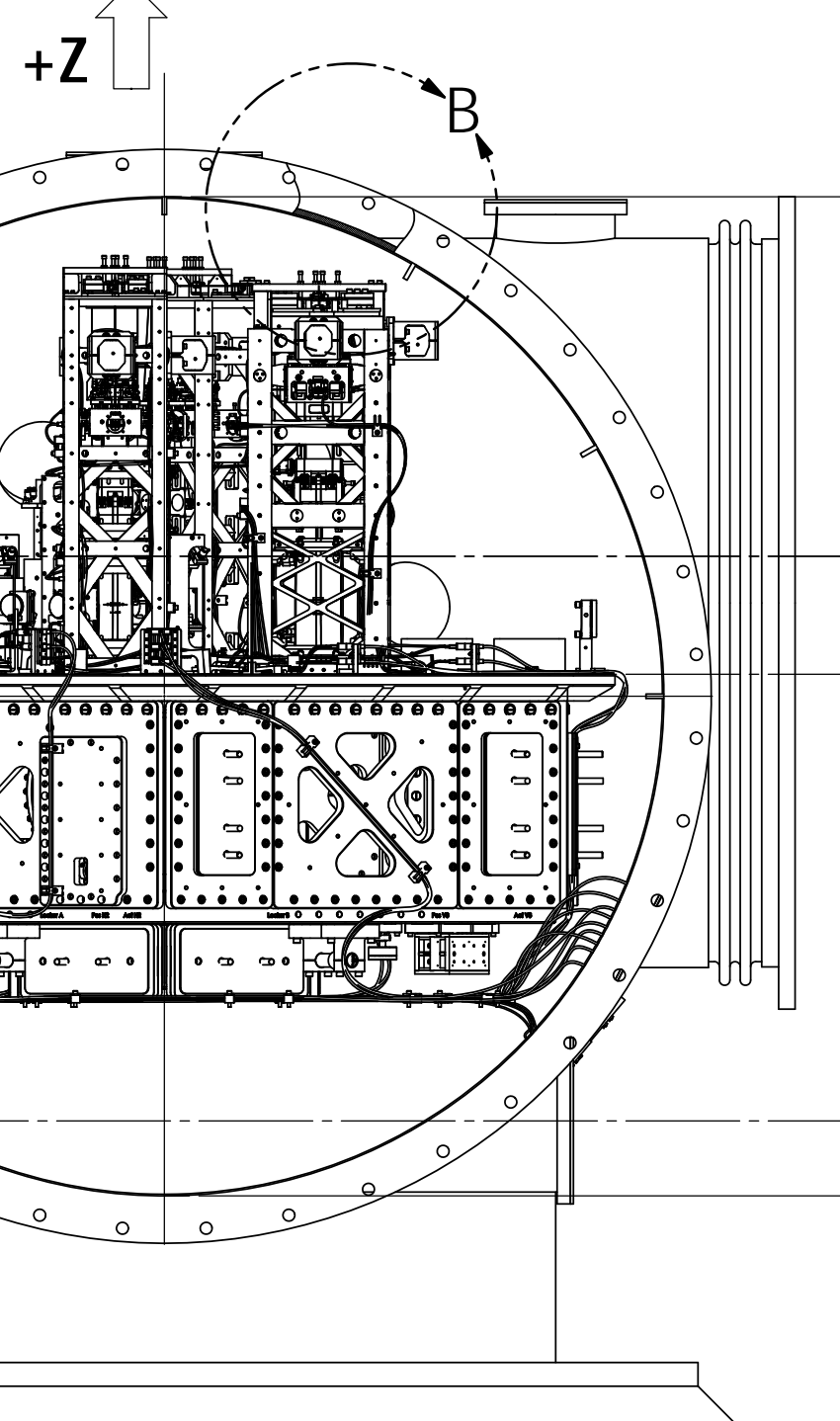


D1000514
HEPI ASSEMBLY

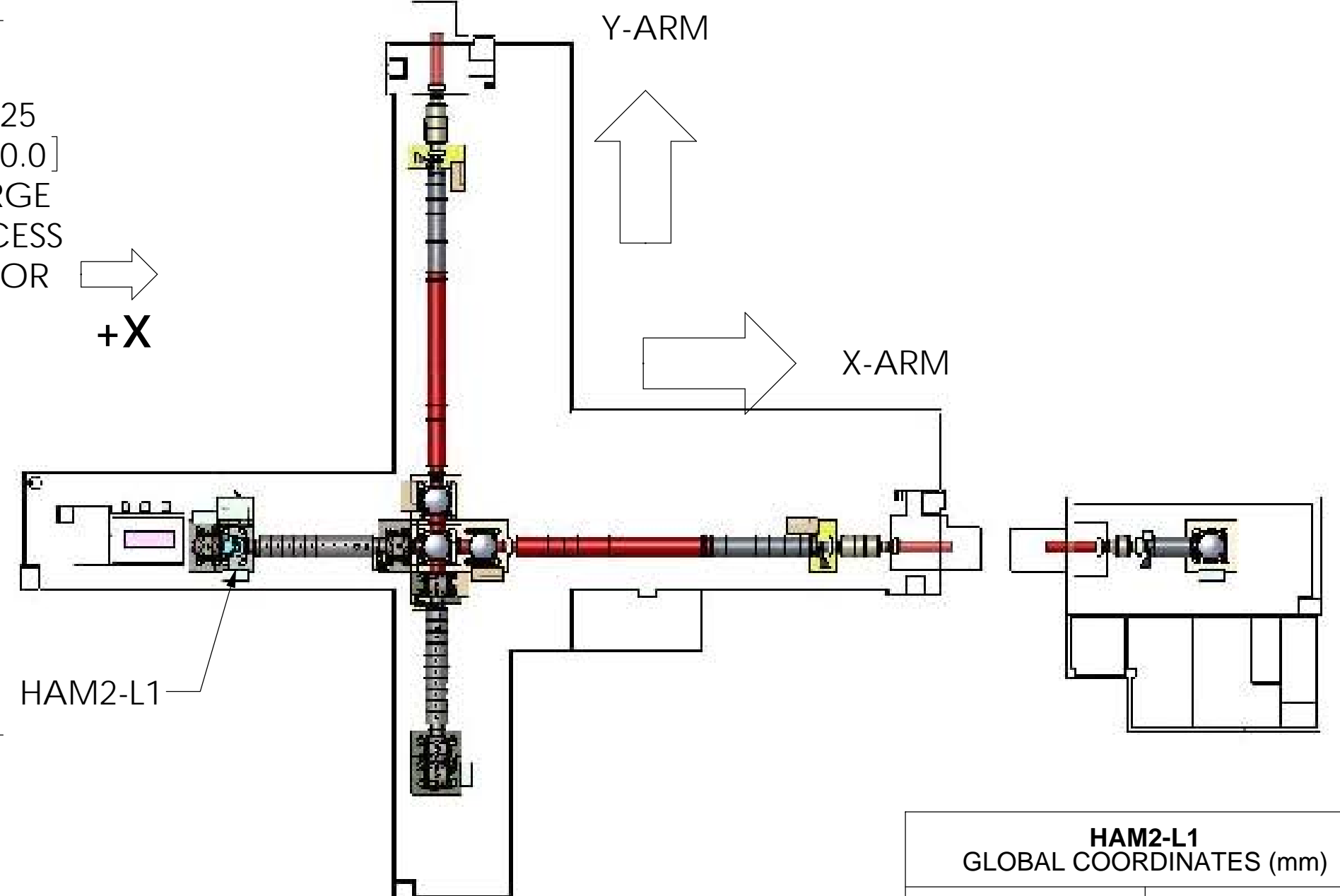
HAM LOCAL 0,0,0 CS
+Z



FRONT VIEW



84.25
[2140.0]
LARGE
ACCESS
DOOR



HAM2-L1 GLOBAL COORDINATES (mm)	
X	0.0
Y	-20122.0
Z	0.0

NOTES AND TOLERANCES: (UNLESS OTHERWISE SPECIFIED)

LIGO CALIFORNIA INSTITUTE OF TECHNOLOGY
MASSACHUSETTS INSTITUTE OF TECHNOLOGY

PART NAME
HAM2-L1 TOP LEVEL CHAMBER ASSEMBLY, FULLY DEFINED

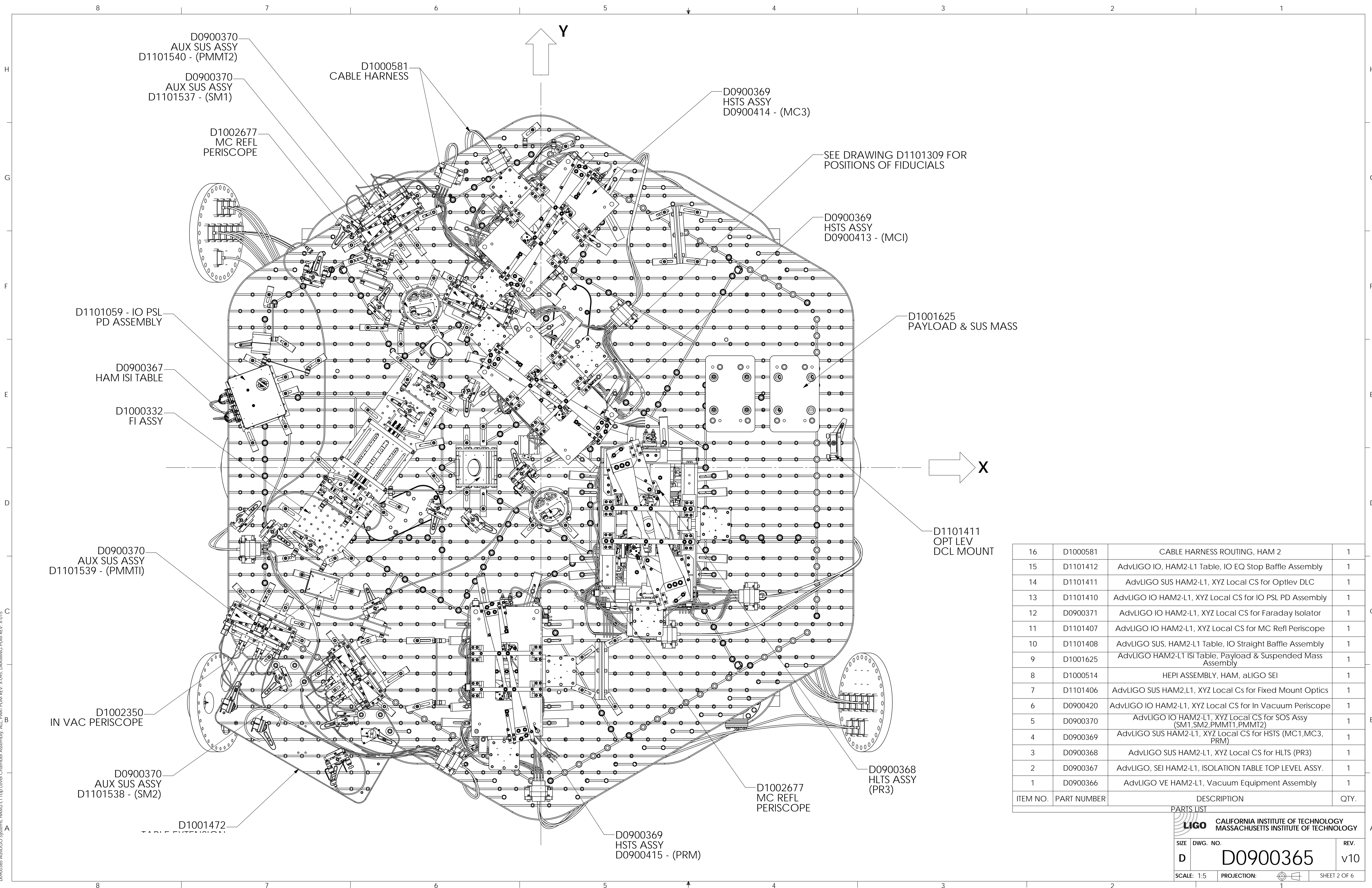
SYSTEM	ADVANCED LIGO	SUB-SYSTEM	SUS
MATERIAL	N/A		
FINISH	N/A μinch		

DESIGNER	ED CHAVEZ	DATE	27 JUL 2009
DRAFTER	C. TORRIE	DATE	27 JUL 2011
CHECKER	SEE DCC		
APPROVAL			

SIZE	D	DWG. NO.	D0900365	REV.	v10
SCALE:	1:16	PROJECTION:		SHEET 1 OF 6	



D0900365-ADM/LIGO Systems: HAM2-L1 Top Level Chamber Assembly: ALL PART PDM REV. X-095: DRAWING PDM REV. X-015



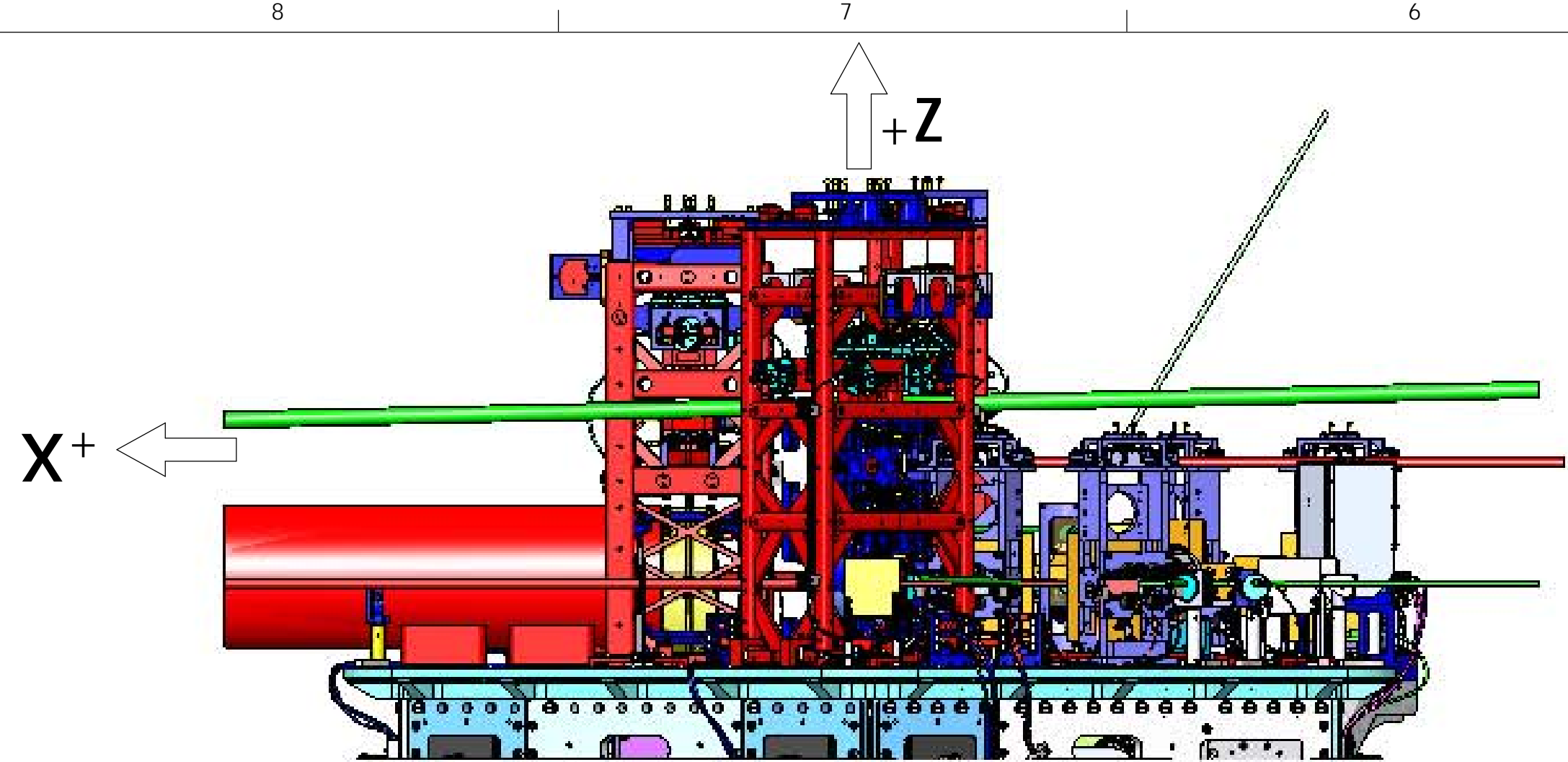
ITEM NO.	PART NUMBER	DESCRIPTION	QTY.
16	D1000581	CABLE HARNESS ROUTING, HAM 2	1
15	D1101412	AdvLIGO IO, HAM2-L1 Table, IO EQ Stop Baffle Assembly	1
14	D1101411	AdvLIGO SUS HAM2-L1, XYZ Local CS for Optlev DLC	1
13	D1101410	AdvLIGO IO HAM2-L1, XYZ Local CS for IO PSL PD Assembly	1
12	D0900371	AdvLIGO IO HAM2-L1, XYZ Local CS for Faraday Isolator	1
11	D1101407	AdvLIGO IO HAM2-L1, XYZ Local CS for MC Refl Periscope	1
10	D1101408	AdvLIGO SUS, HAM2-L1 Table, IO Straight Baffle Assembly	1
9	D1001625	AdvLIGO HAM2-L1 ISI Table, Payload & Suspended Mass Assembly	1
8	D1000514	HEPI ASSEMBLY, HAM, aLIGO SEI	1
7	D1101406	AdvLIGO SUS HAM2,L1, XYZ Local Cs for Fixed Mount Optics	1
6	D0900420	AdvLIGO IO HAM2-L1, XYZ Local CS for In Vacuum Periscope	1
5	D0900370	AdvLIGO IO HAM2-L1, XYZ Local CS for SOS Assy (SM1,SM2,PM1T1,PM1T2)	1
4	D0900369	AdvLIGO SUS HAM2-L1, XYZ Local CS for HSTS (MC1,MC3,PRM)	1
3	D0900368	AdvLIGO SUS HAM2-L1, XYZ Local CS for HLTS (PR3)	1
2	D0900367	AdvLIGO, SEI HAM2-L1, ISOLATION TABLE TOP LEVEL ASSY.	1
1	D0900366	AdvLIGO VE HAM2-L1, Vacuum Equipment Assembly	1

LIGO CALIFORNIA INSTITUTE OF TECHNOLOGY
 MASSACHUSETTS INSTITUTE OF TECHNOLOGY

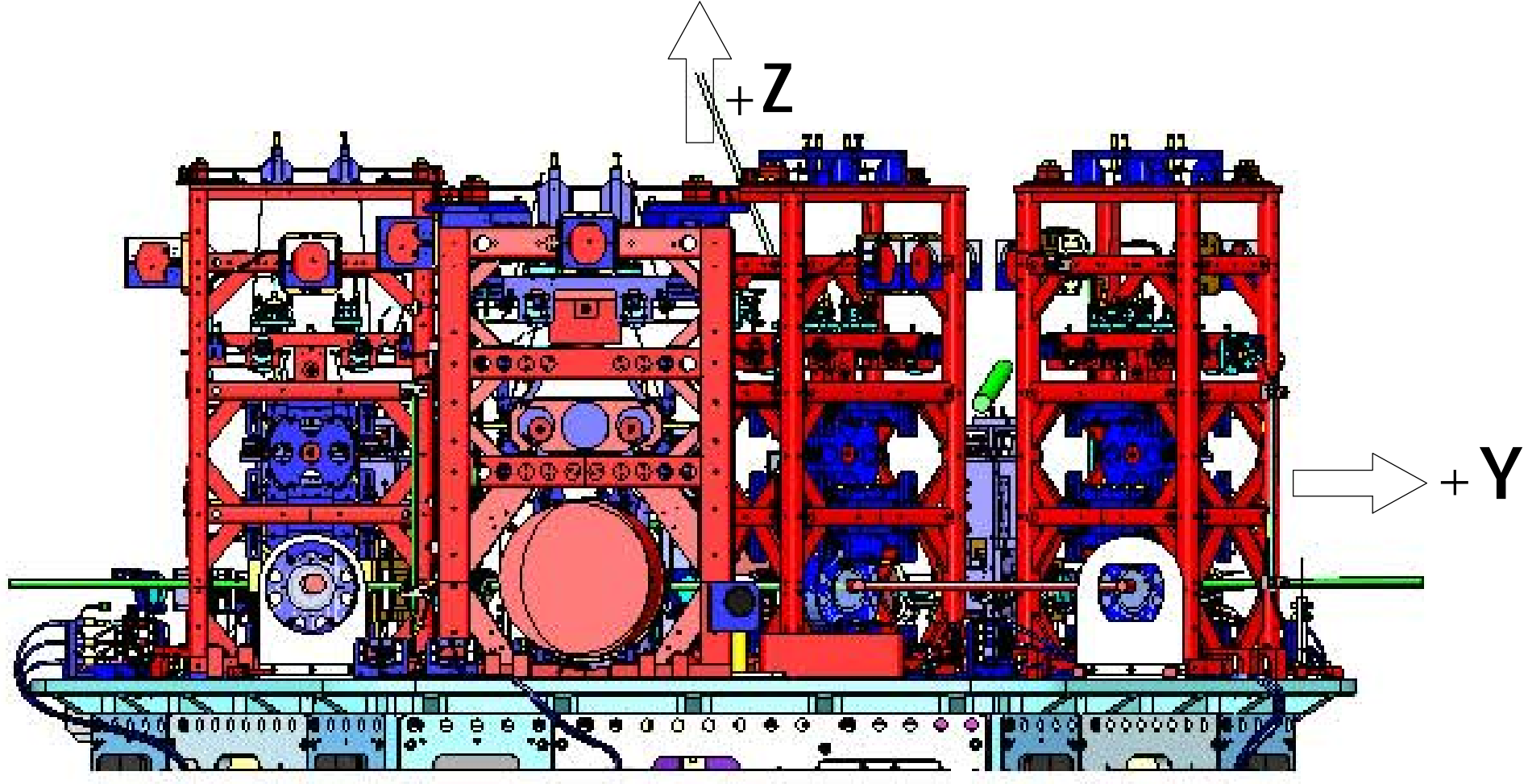
SIZE DWG. NO. REV.
 D D0900365 v10

SCALE: 1:5 PROJECTION: SHEET 2 OF 6

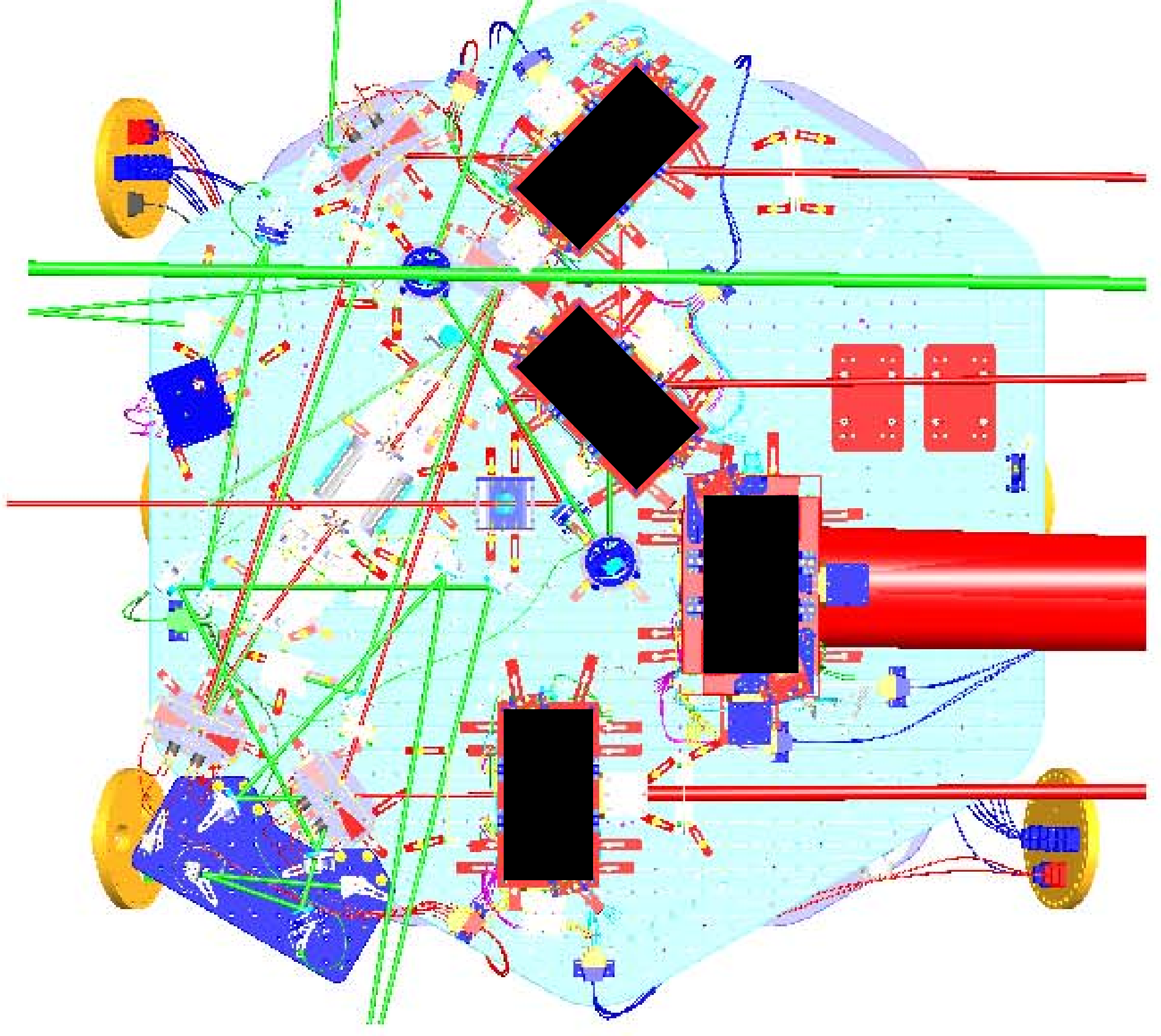
D0900365 AdvLIGO Systems: HAM2-L1 Top Level Chamber Assembly, ALL PART PDM REV. X-0915, DRAWING PDM REV. X-015



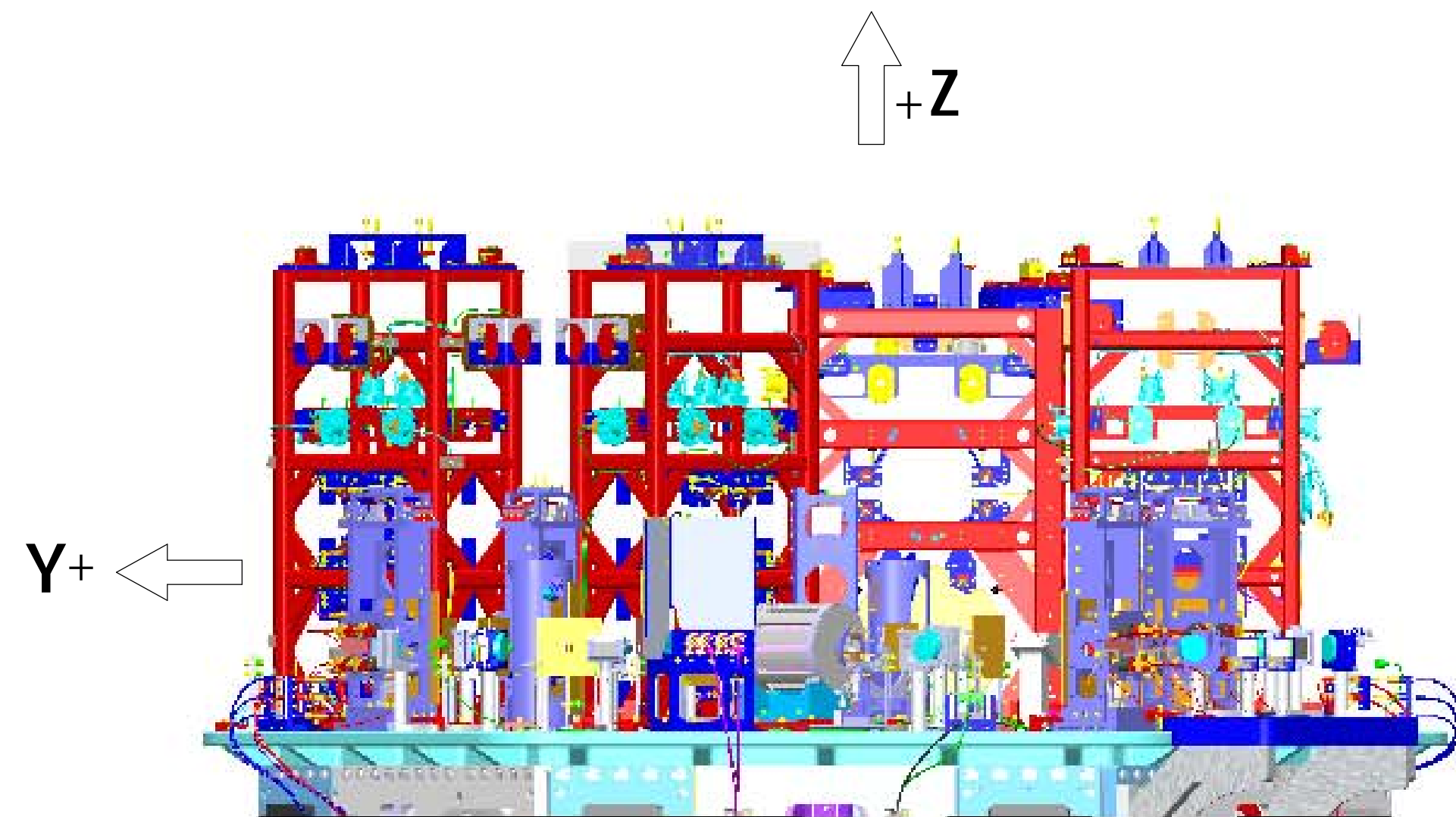
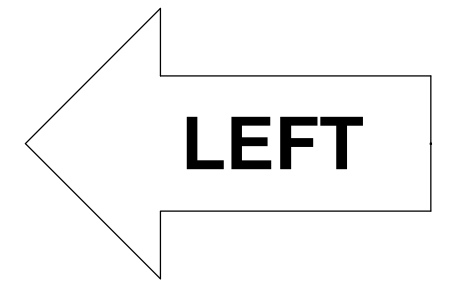
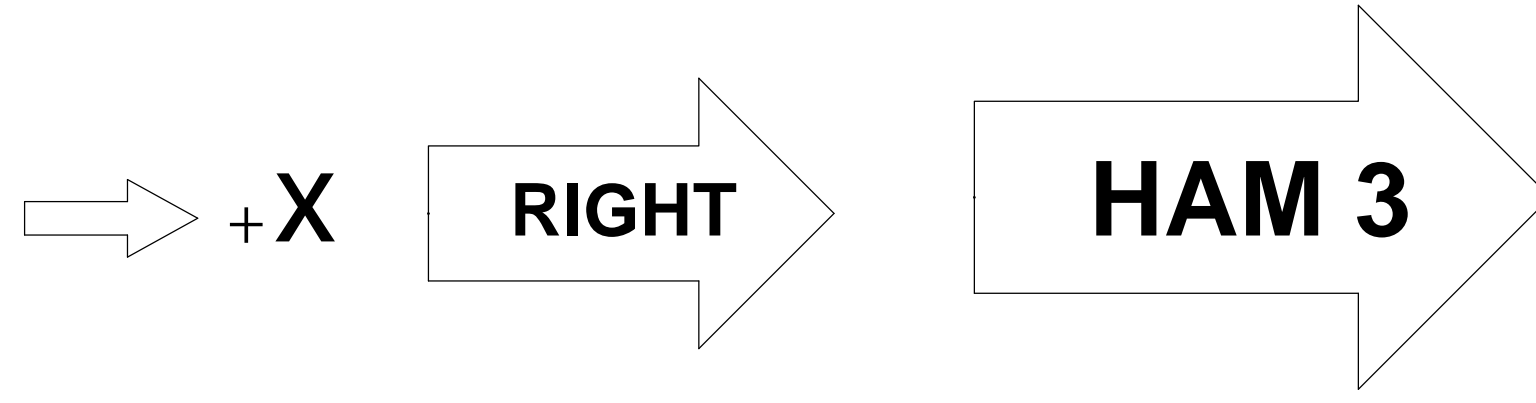
REAR VIEW
(ROTATED 180 DEGREES CCW)



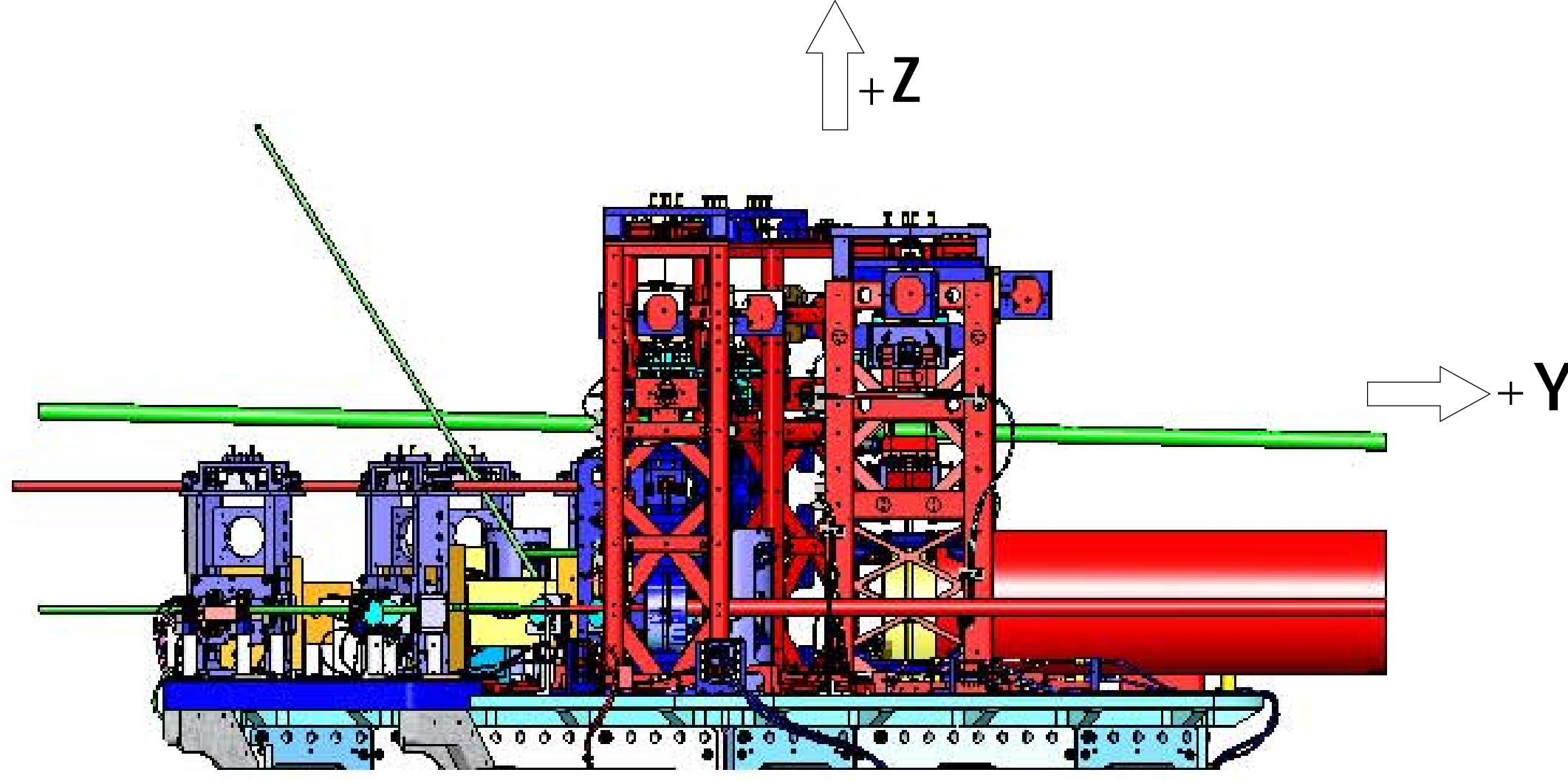
RIGHT SIDE VIEW
(ROTATED 180 DEGREES CCW)



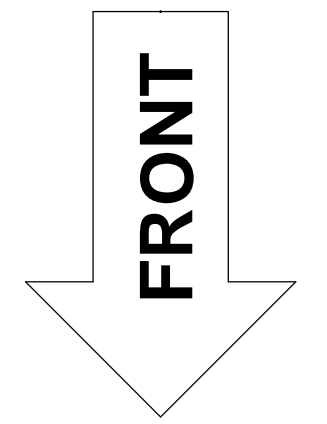
TOP VIEW



LEFT SIDE VIEW
(ROTATED 90 DEGREES CCW)



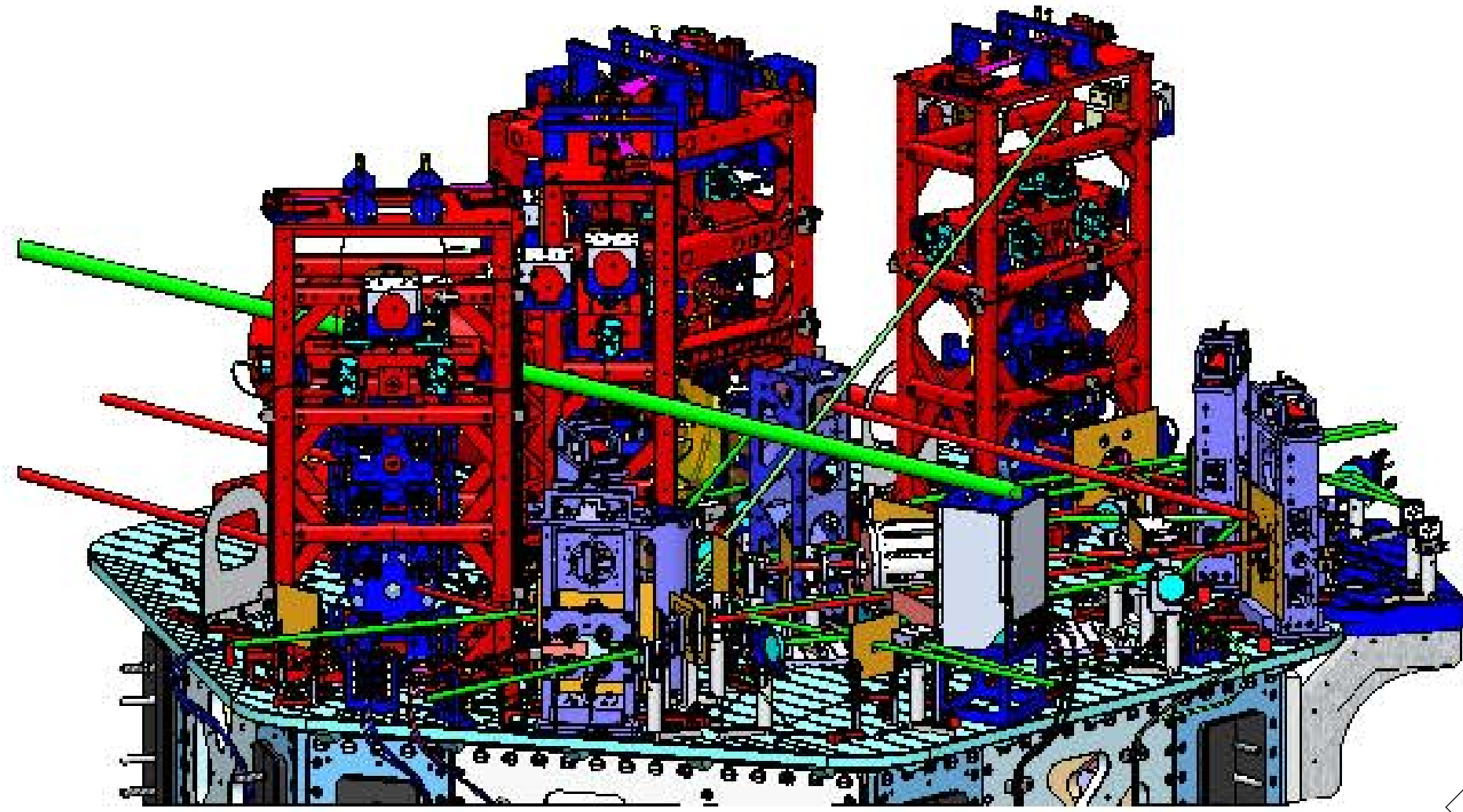
FRONT VIEW



LASER BEAMS - ORTHO VIEWS

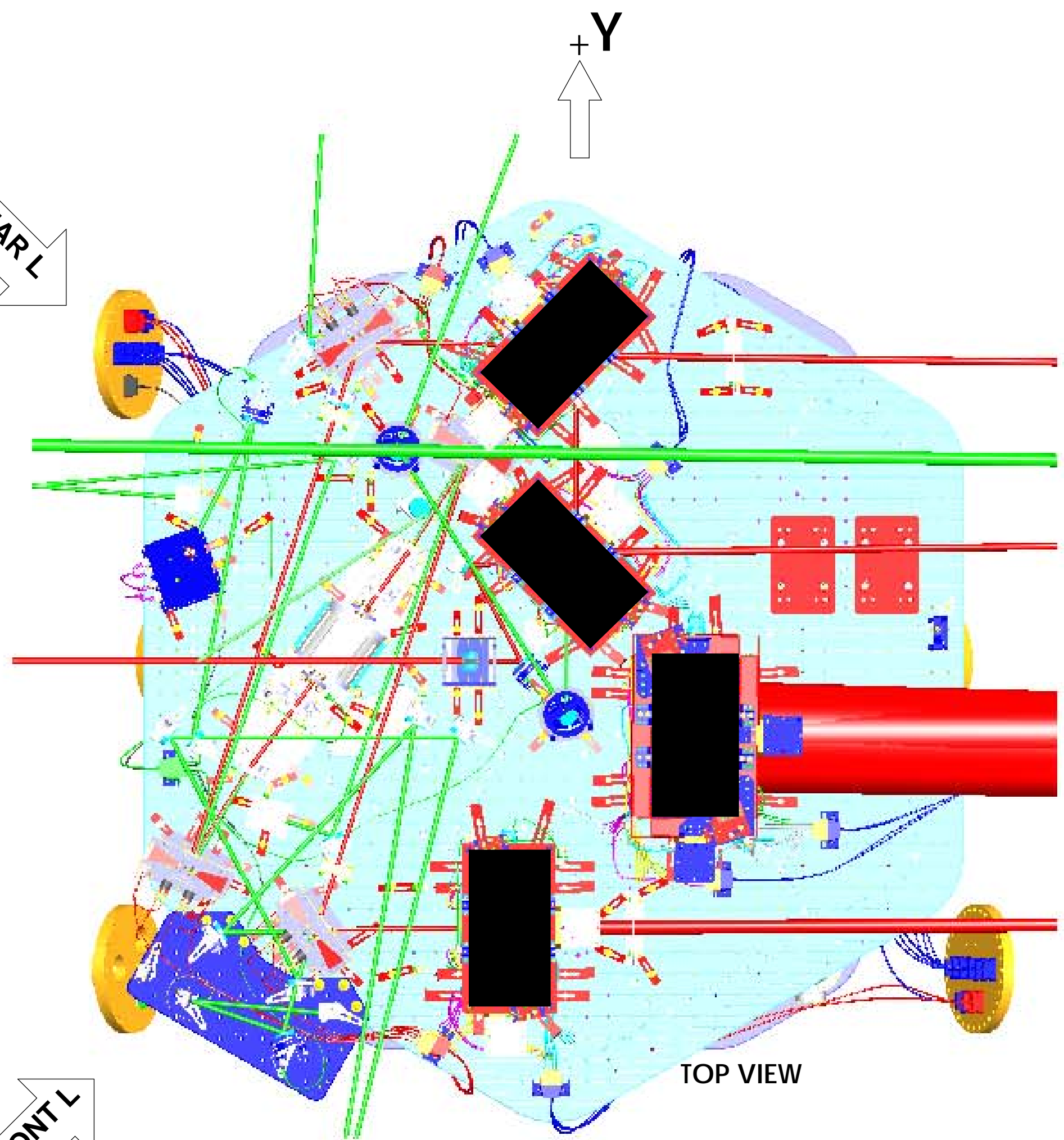
CALIFORNIA INSTITUTE OF TECHNOLOGY MASSACHUSETTS INSTITUTE OF TECHNOLOGY		
SIZE	DWG. NO.	REV.
D	D0900365	v10
SCALE: 1:8	PROJECTION:	SHEET 3 OF 6

D0900365 ADX/LIGO Systems: HAMZL1 Top Level Chamber Assembly: ALL PART PDM REV. X-095: DRAWING PDM REV. X-015



ISO REAR - LEFT

REAR L

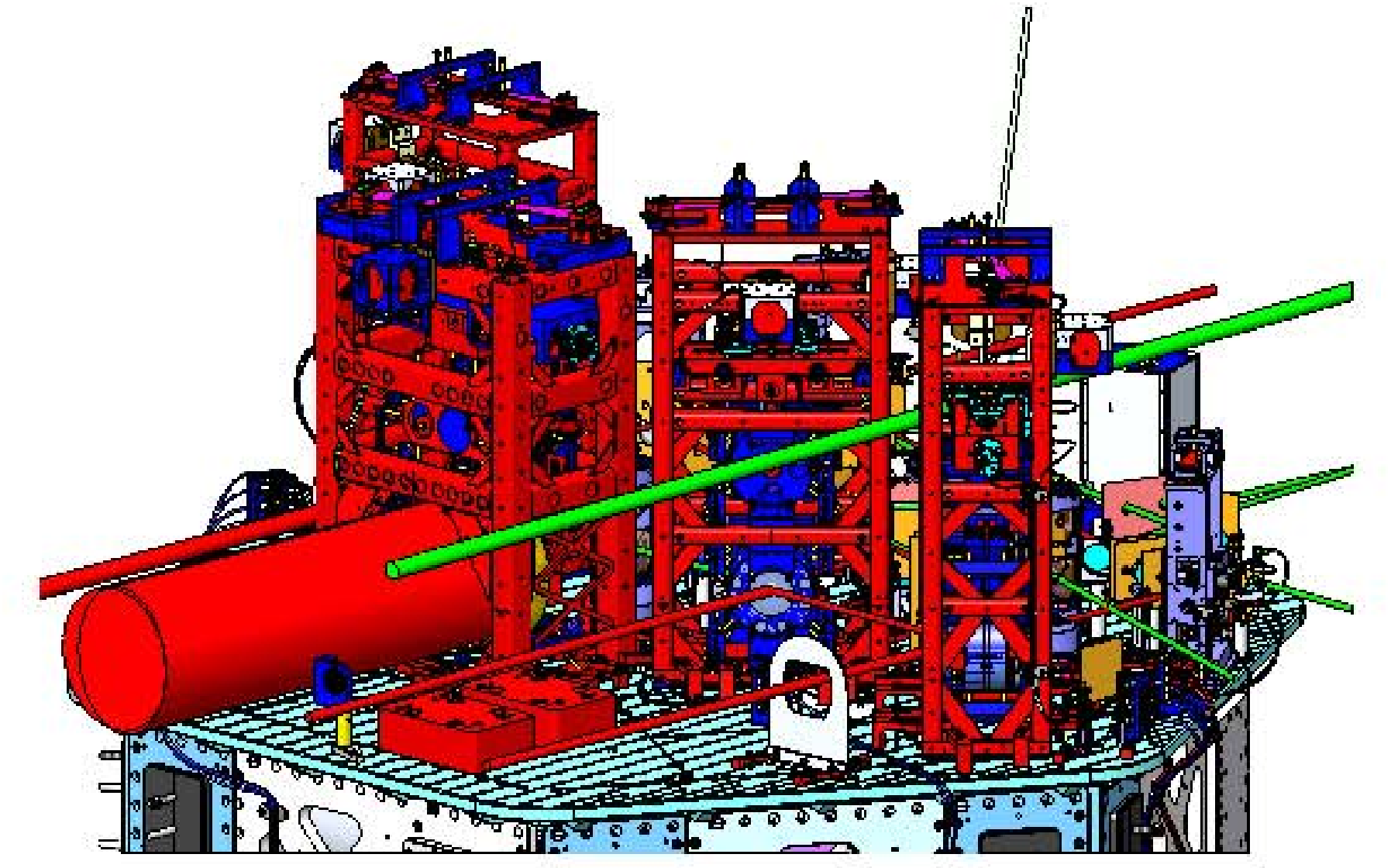


TOP VIEW

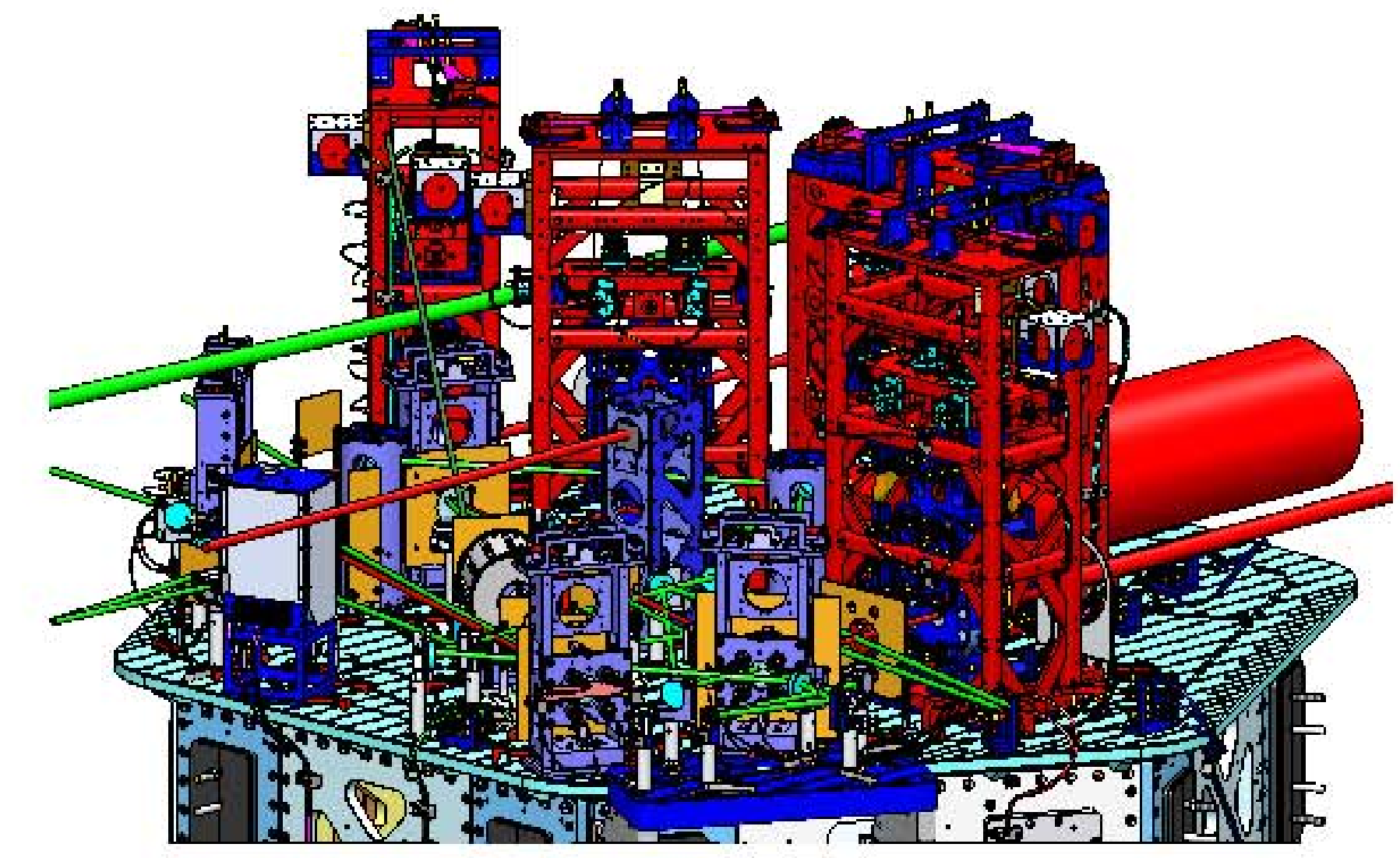
+Y

+X

REAR R



ISO REAR - RIGHT

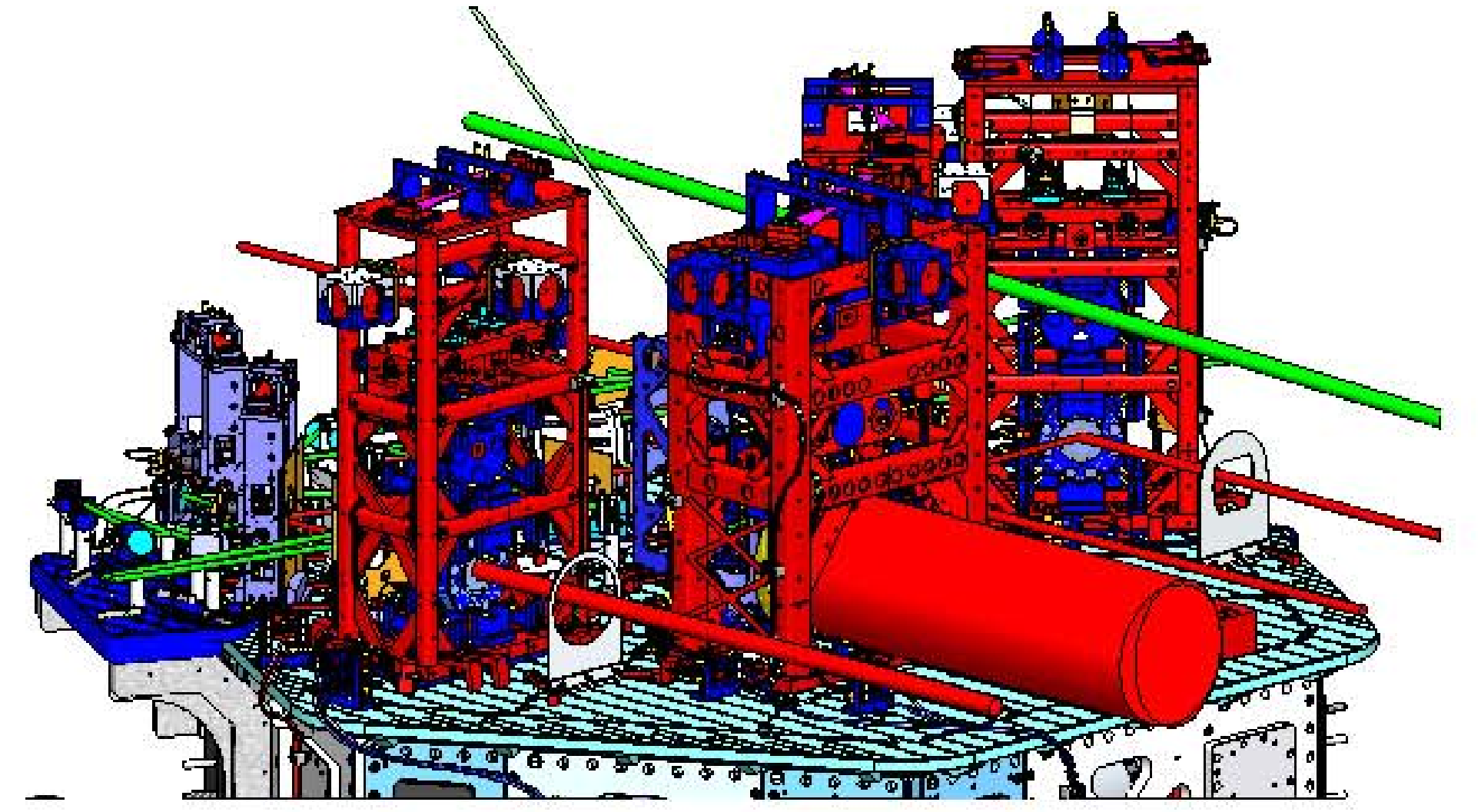


ISO FRONT - LEFT

FRONT L

FRONT R

HAM 3



ISO FRONT - RIGHT

LASER BEAMS - ISO VIEWS

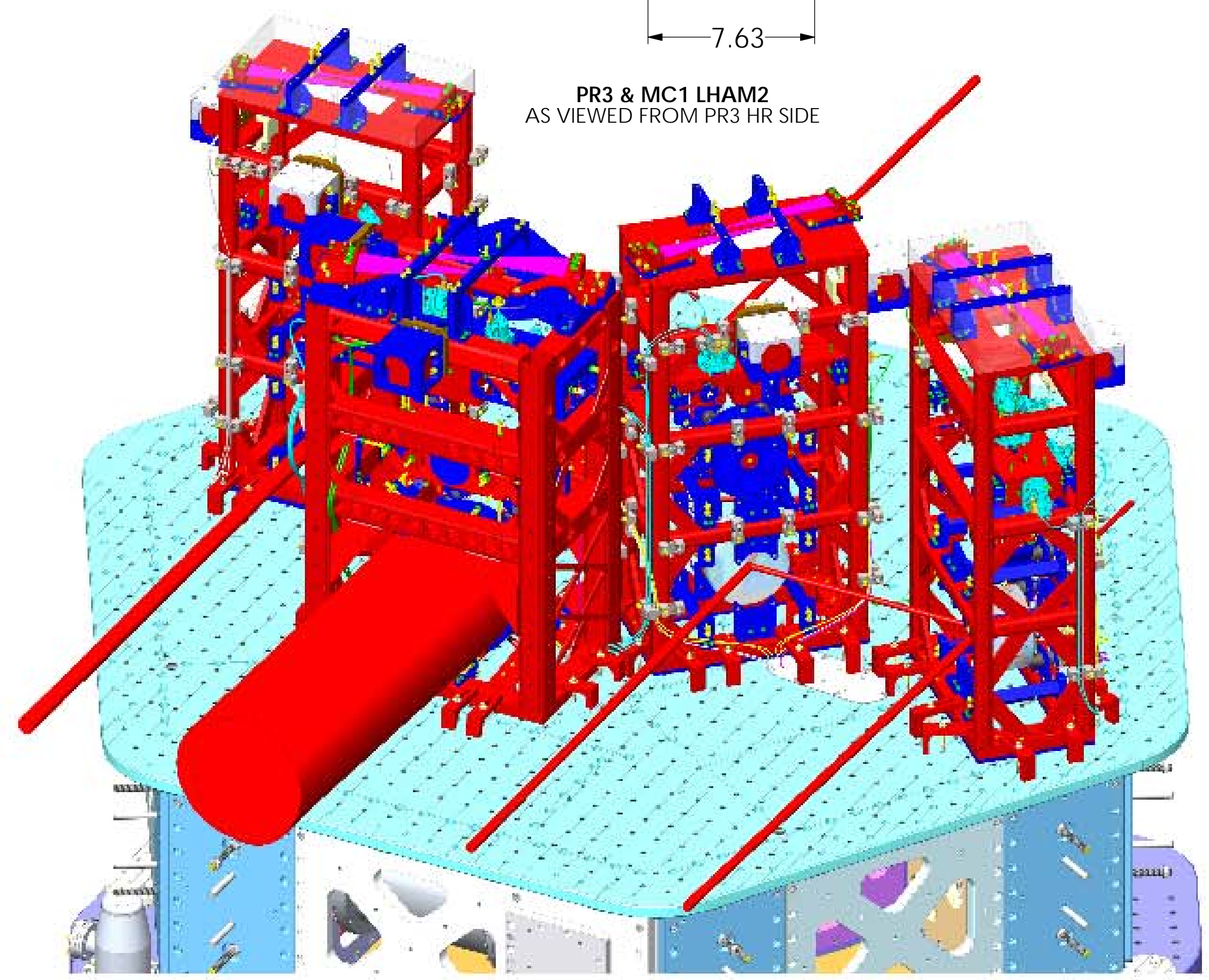
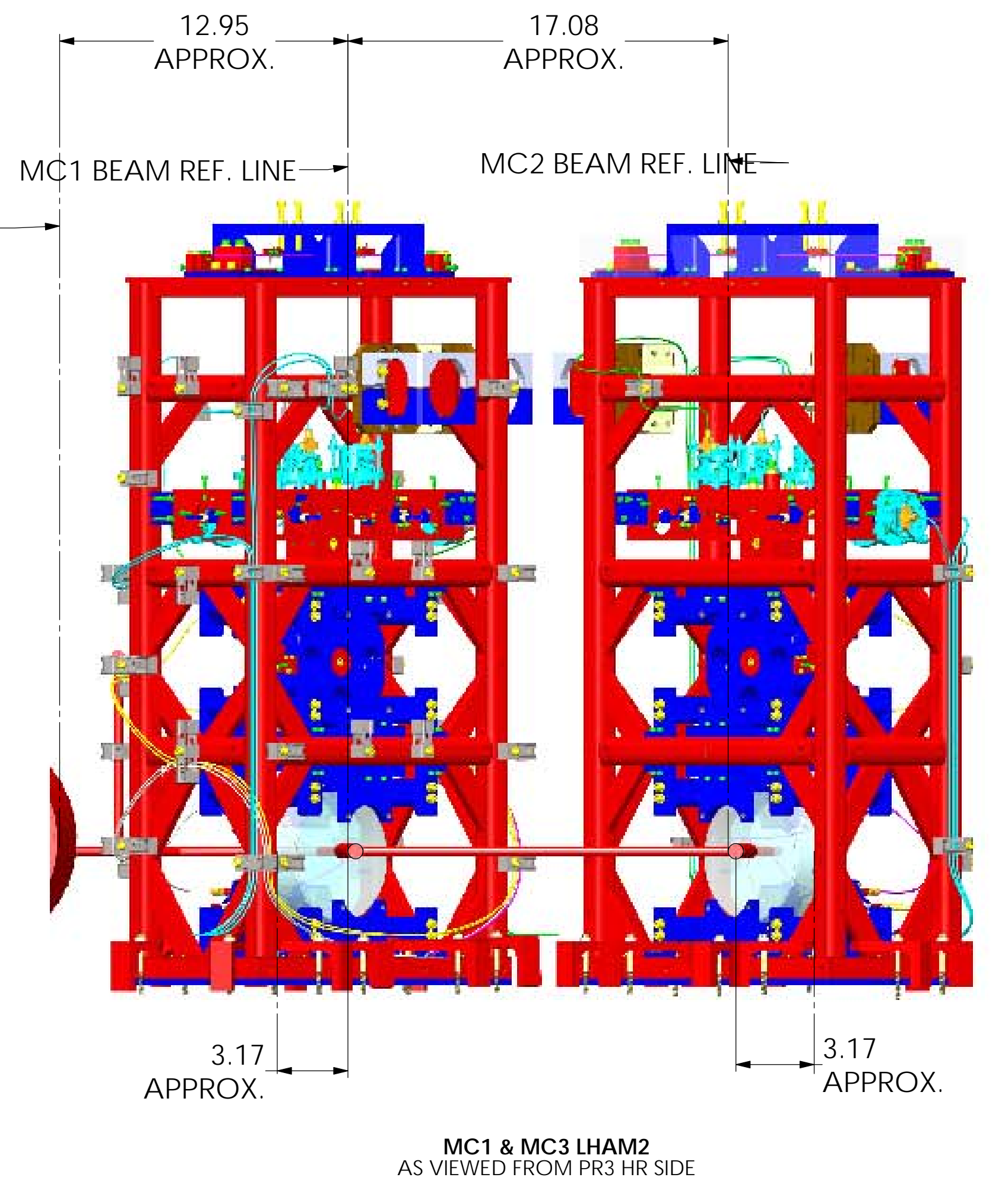
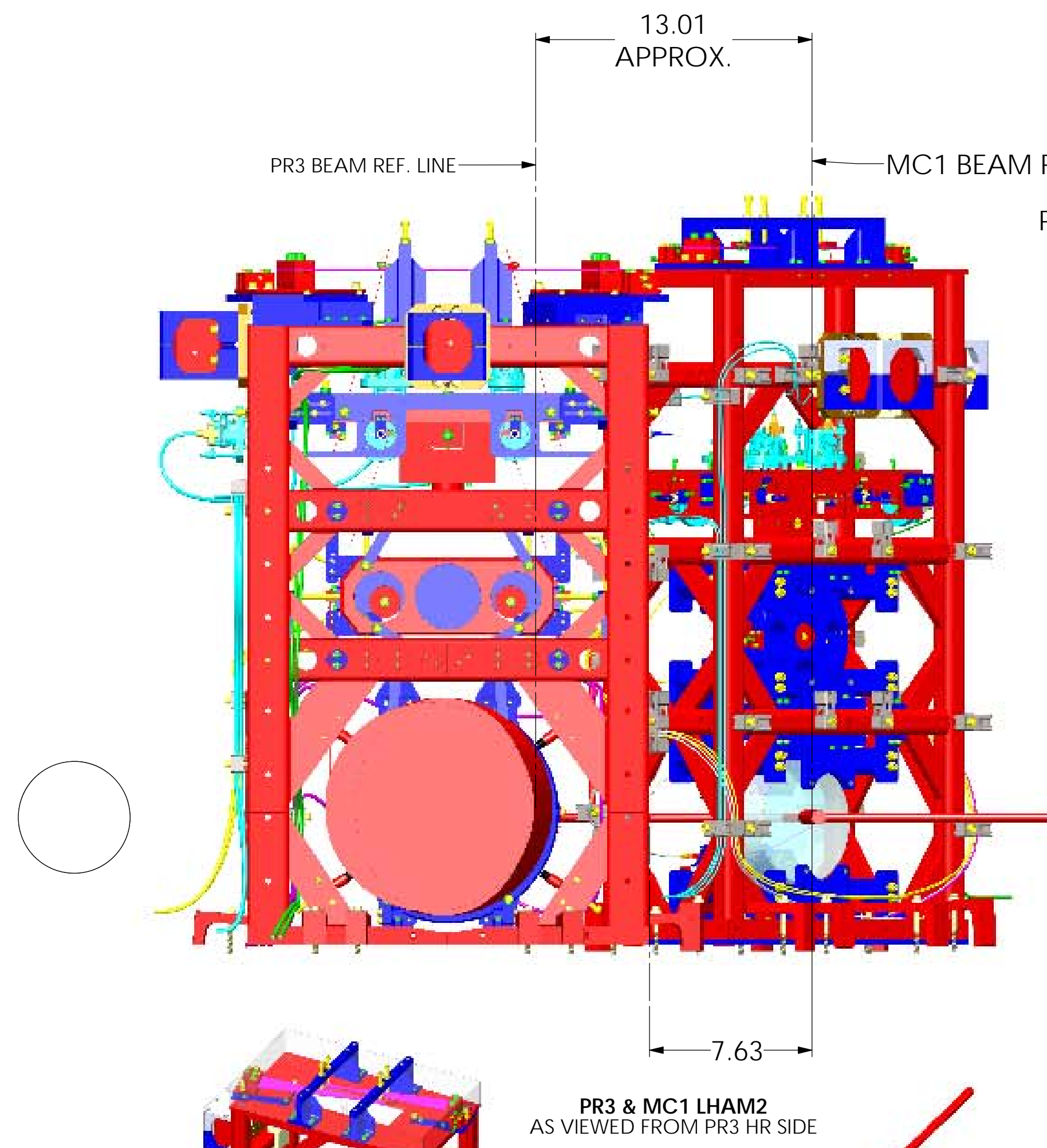
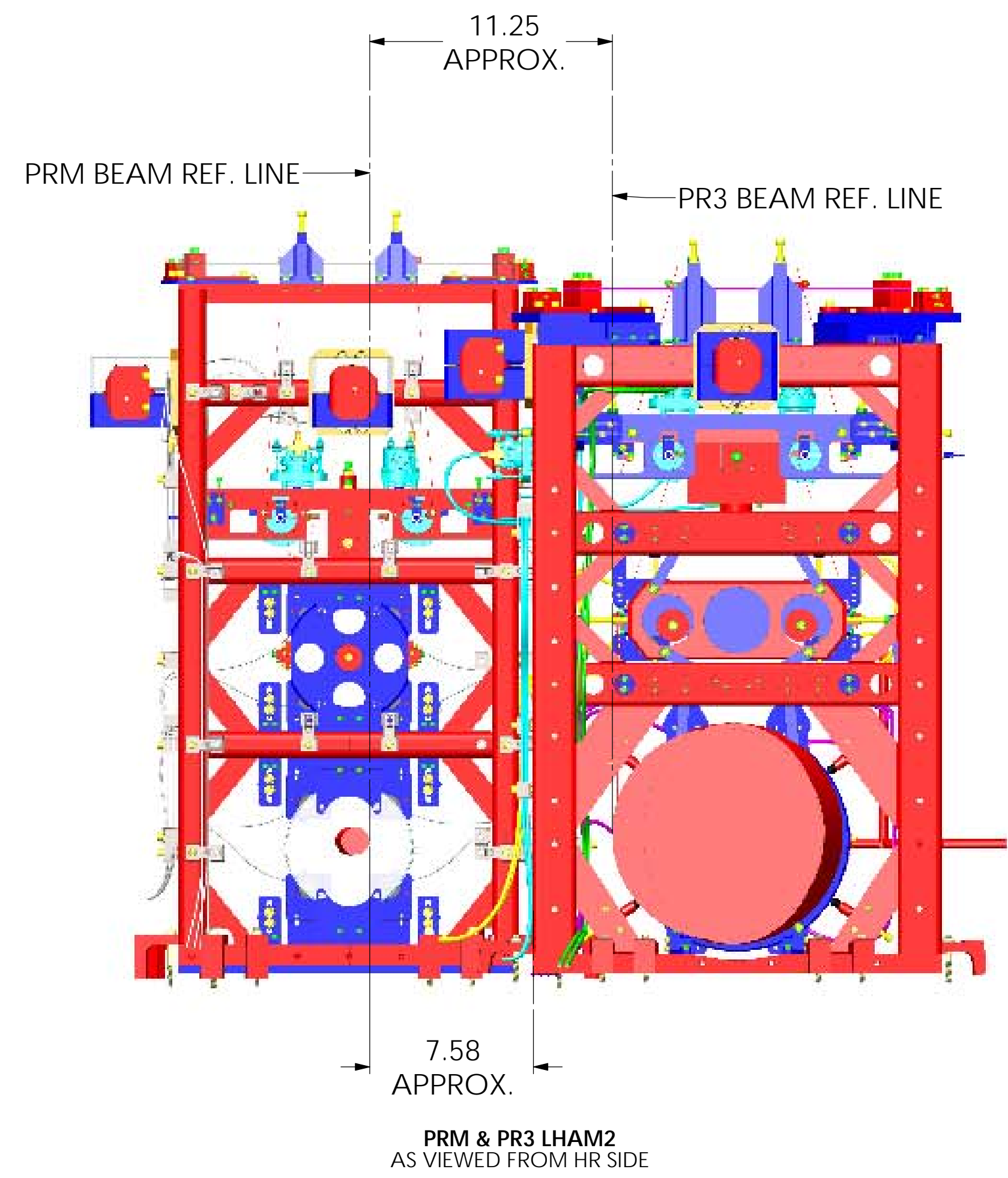
LIGO CALIFORNIA INSTITUTE OF TECHNOLOGY MASSACHUSETTS INSTITUTE OF TECHNOLOGY	
SIZE DWG. NO.	REV.
D D0900365	v10
SCALE: 1:8	PROJECTION: SHEET 4 OF 6

D0900365 ADM/LIGO Systems: HAM2L1 Top Level Chamber Assembly: ALL PART PDM REV. X-076: DRAWING PDM REV. X-015

8 7 6 5 4 3 2 1

H
G
F
E
D
C
B
A

H
G
F
E
D
C
B
A

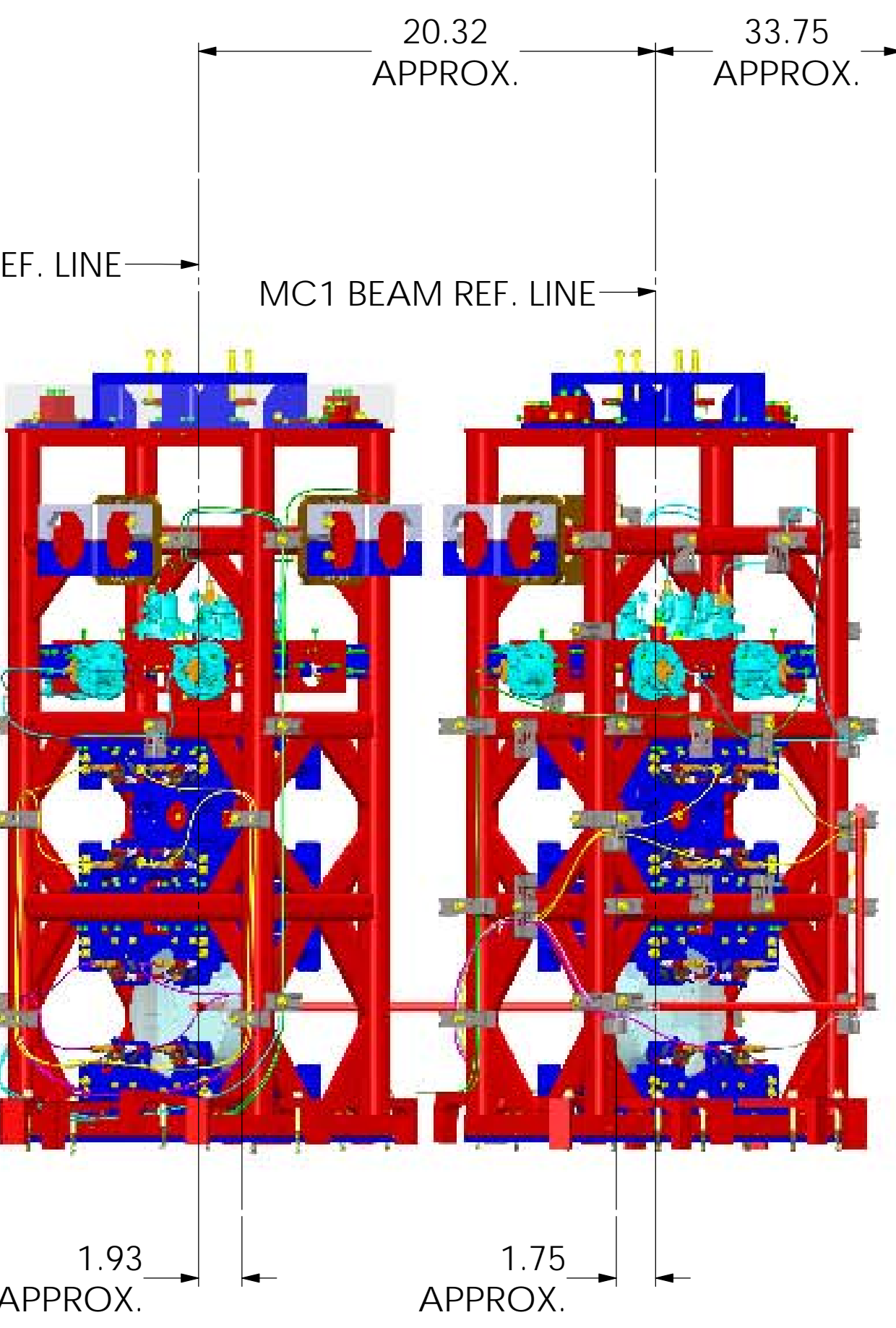


LASER BEAMS HR SIDE CLEARANCES

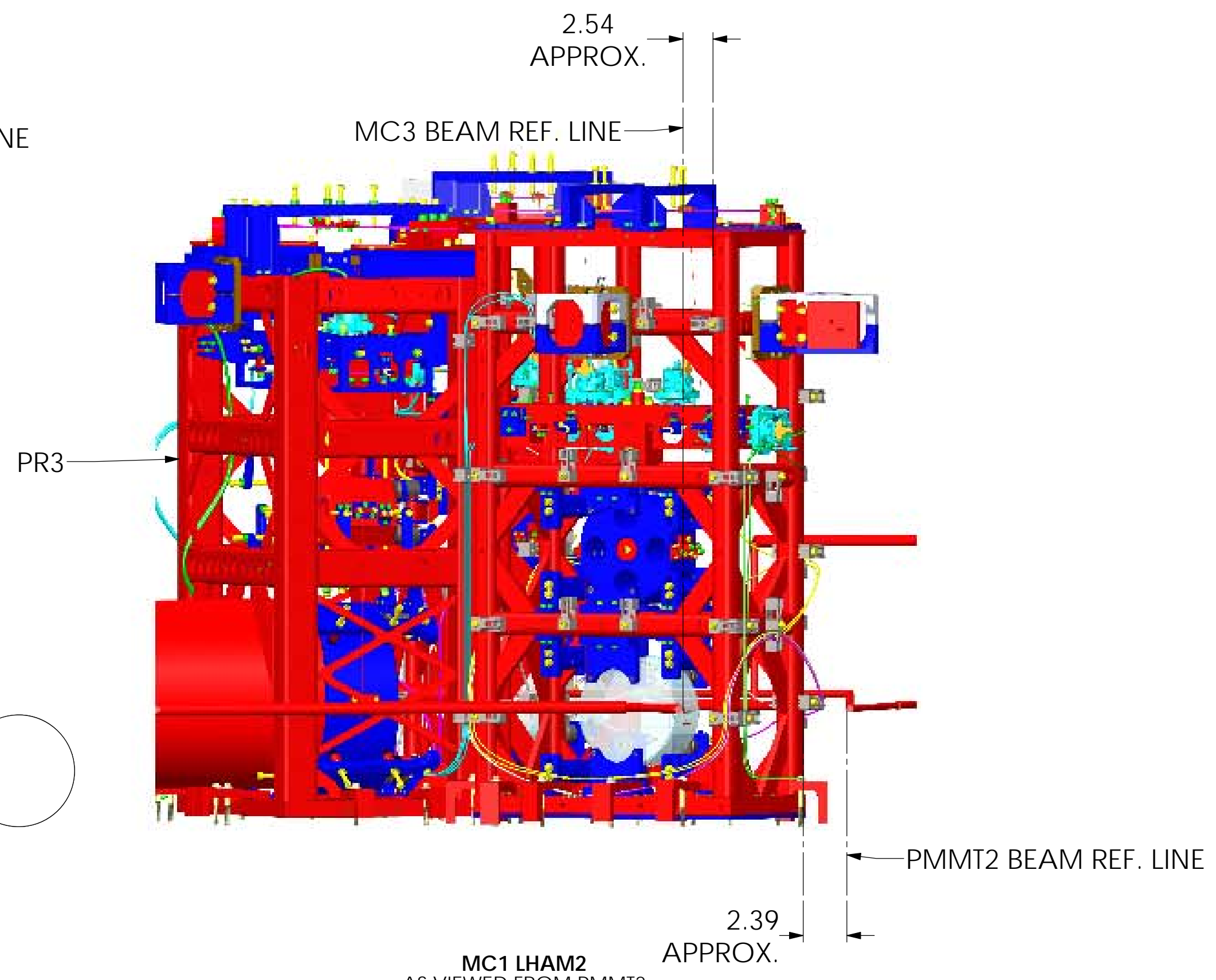
LIGO CALIFORNIA INSTITUTE OF TECHNOLOGY MASSACHUSETTS INSTITUTE OF TECHNOLOGY	
SIZE DWG. NO.	REV.
D D0900365	v10
SCALE: NTS	PROJECTION:
SHEET 5 OF 6	

8 7 6 5 4 3 2 1

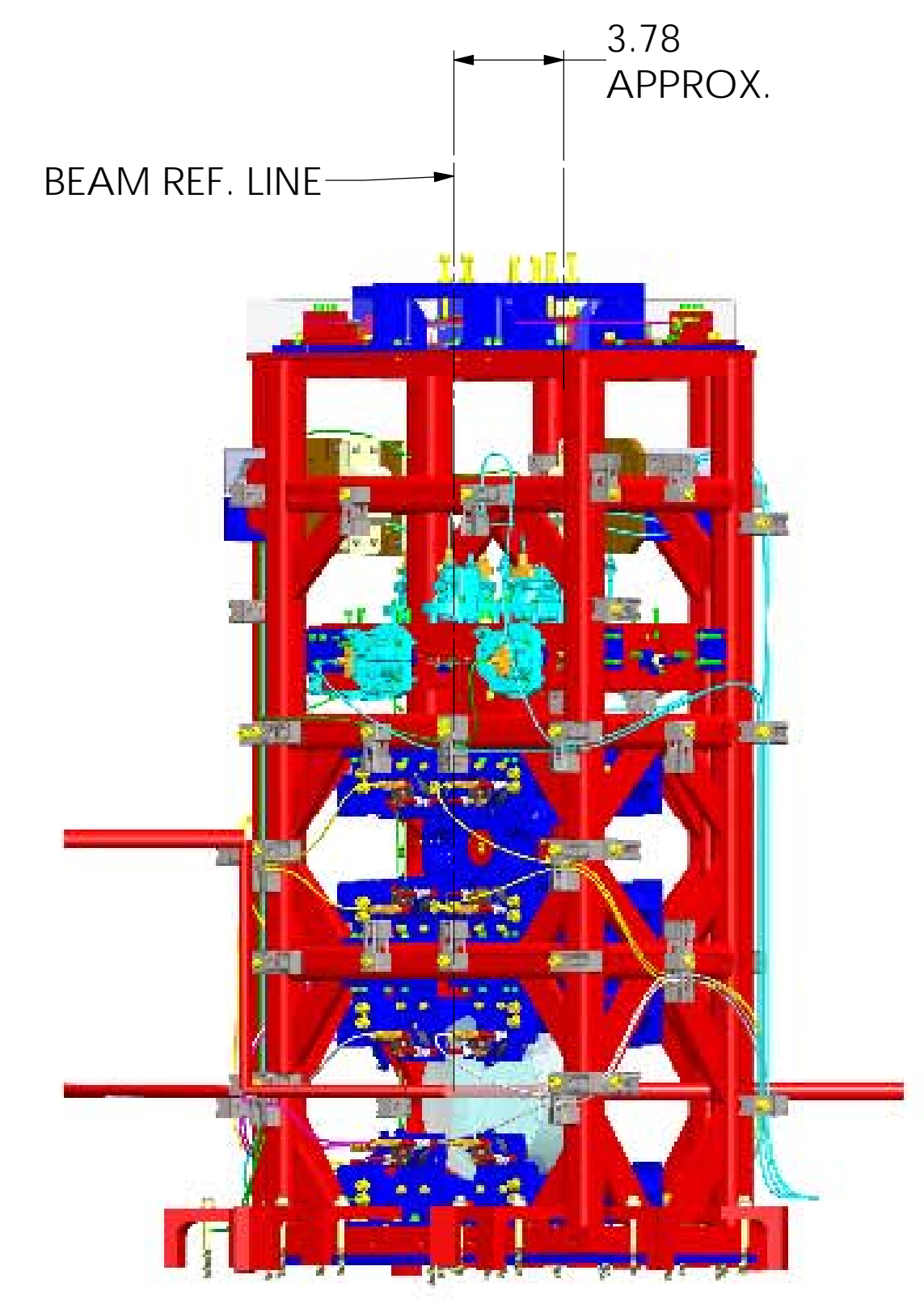
D0900365 A04/LIGO Systems: LHAM2:1 Top Level Chamber Assembly: ALL PART PDM REV.: DRAWING PDM REV: X:015



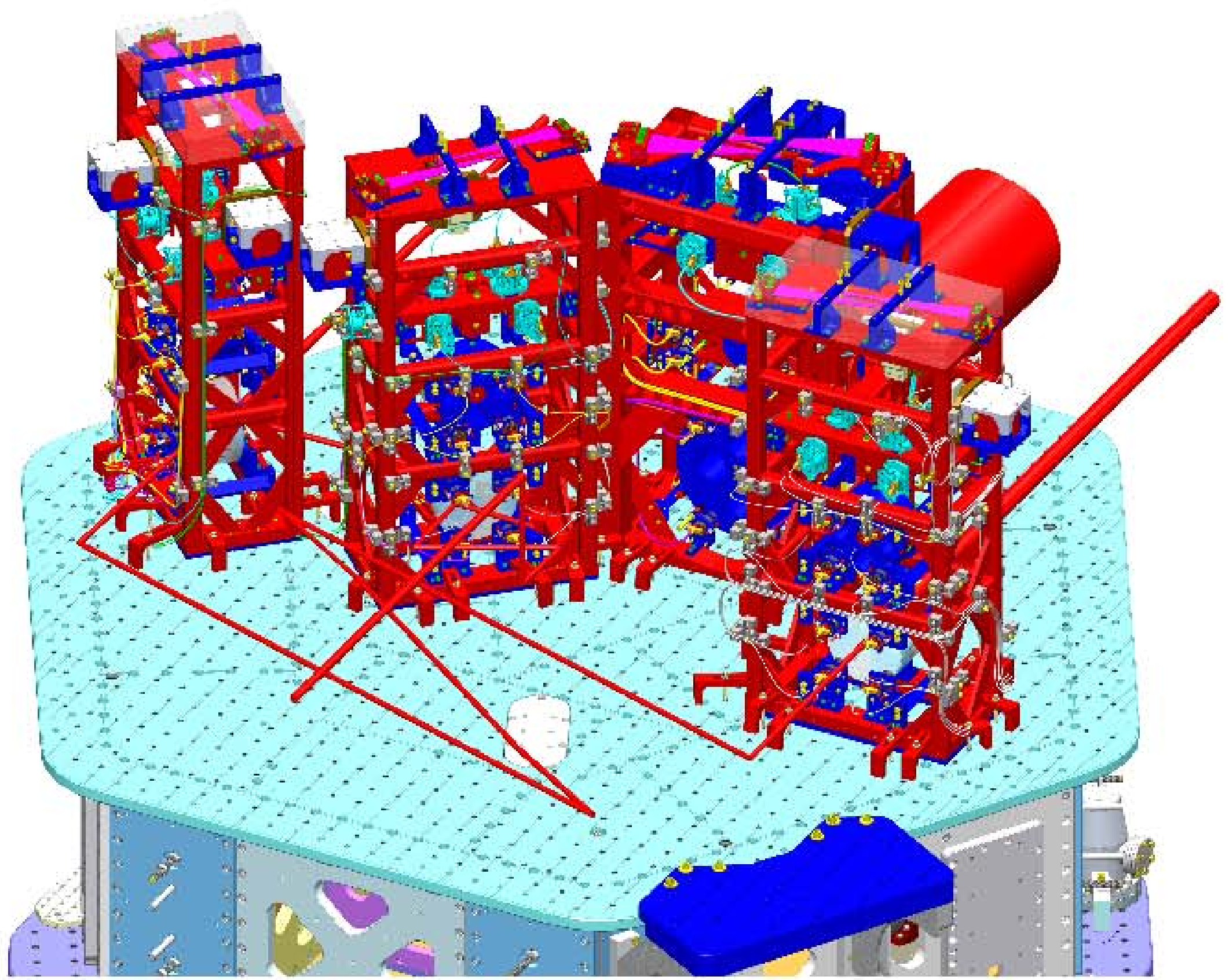
MC3 & MC1 LHAM2
AS VIEWED FROM AR SIDE



MC1 LHAM2
AS VIEWED FROM PMMT2



MC1 LHAM2
ISO VIEW, REAR RIGHT



ISO VIEW, FRONT LEFT

LASER BEAMS AR SIDE CLEARANCES

LIGO CALIFORNIA INSTITUTE OF TECHNOLOGY MASSACHUSETTS INSTITUTE OF TECHNOLOGY	
SIZE DWG. NO.	REV.
D D0900365	v10
SCALE: NTS	PROJECTION:
SHEET 6 OF 6	

D0900365 ADX/LIGO Systems: LHAM2.L1 Top Level Chamber Assembly: ALL PART PDM REV.: DRAWING PDM REV: X-015