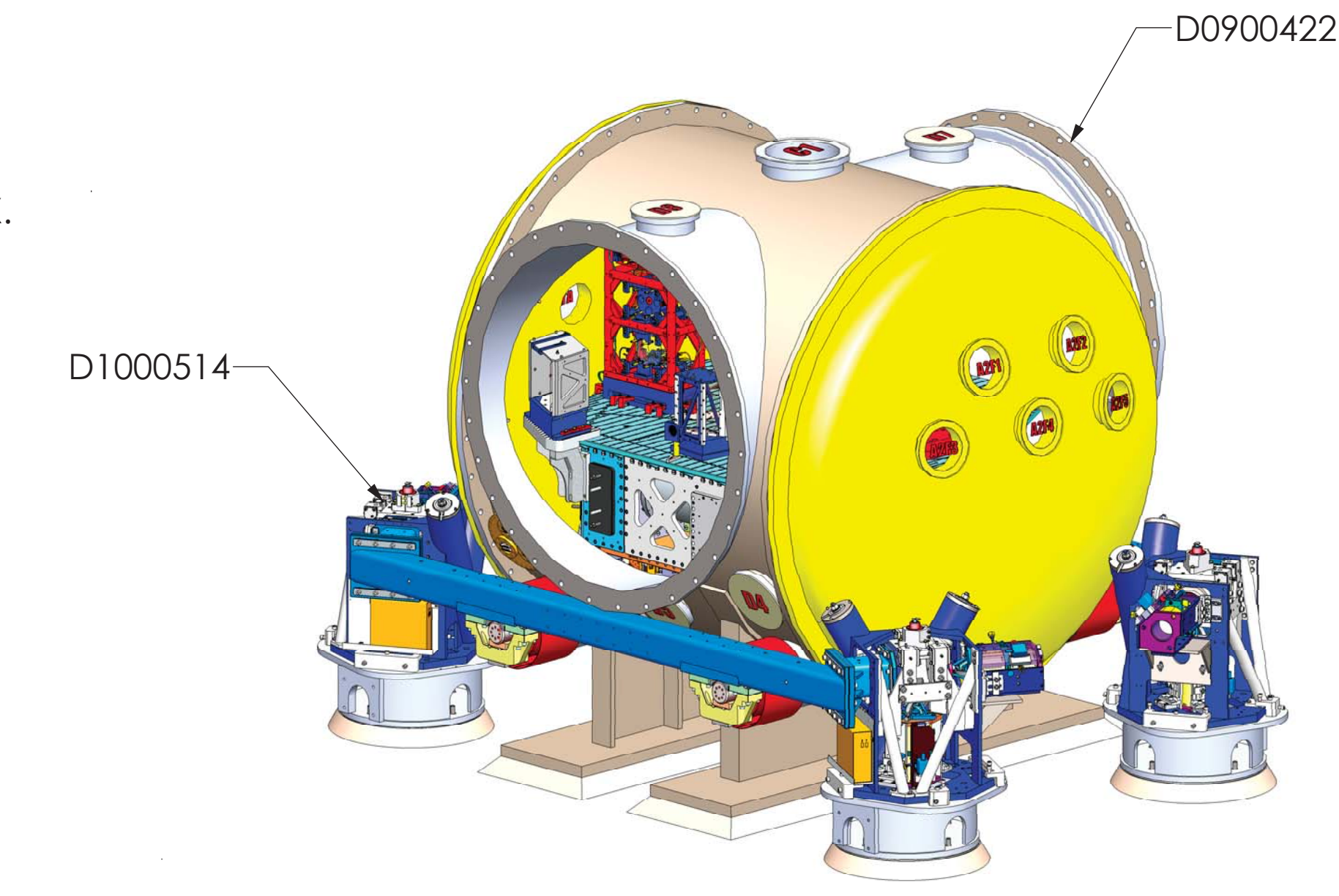
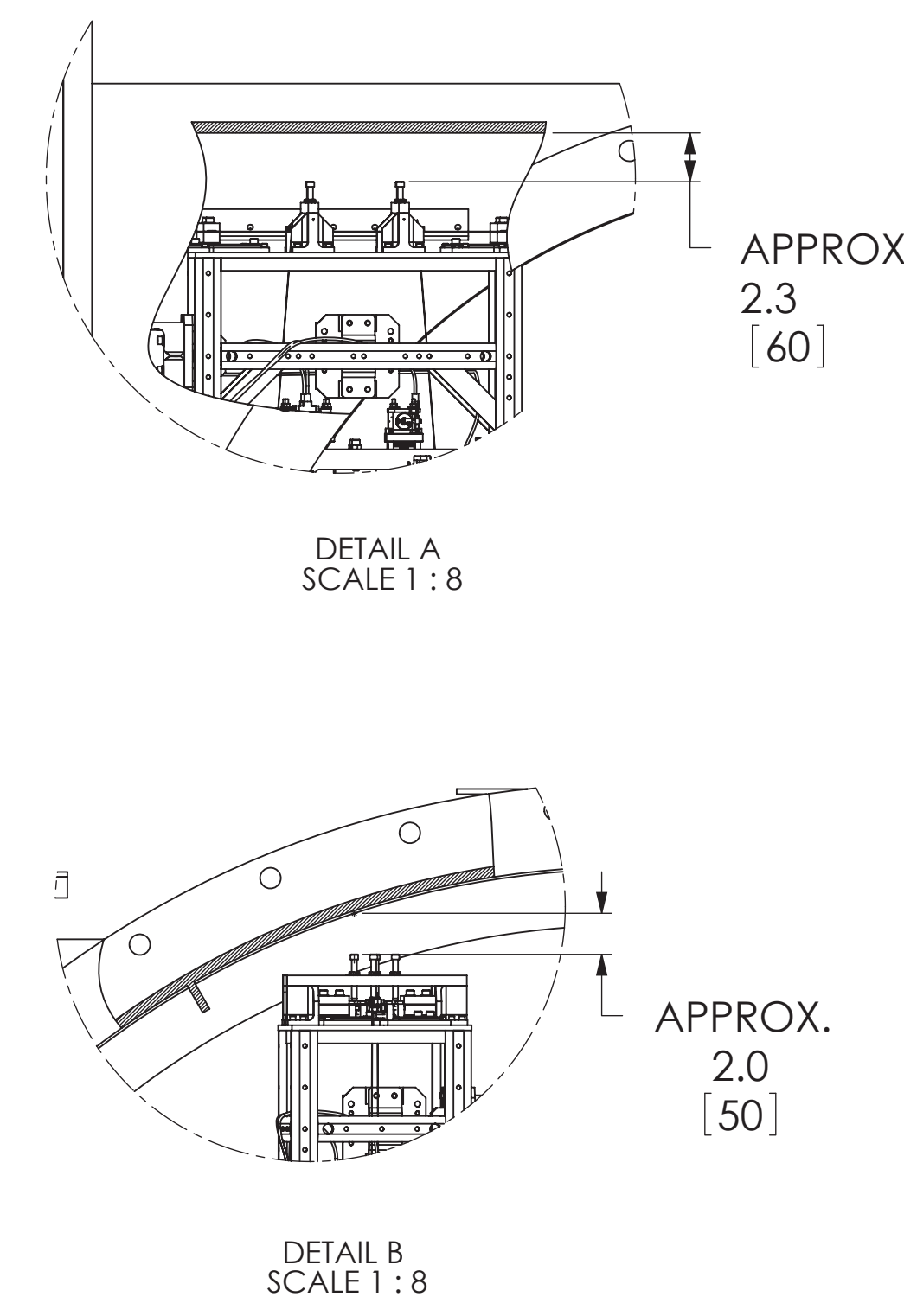
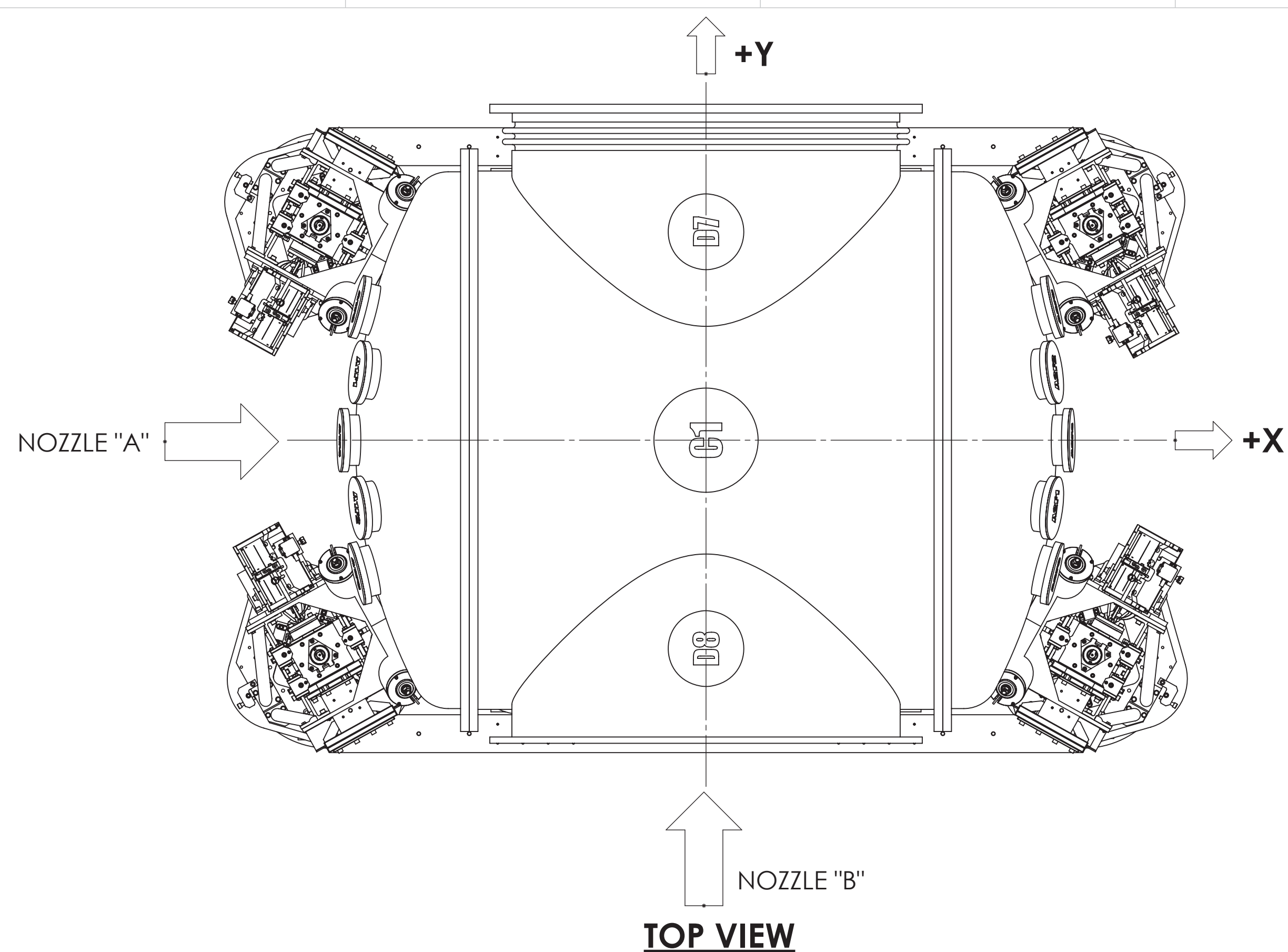
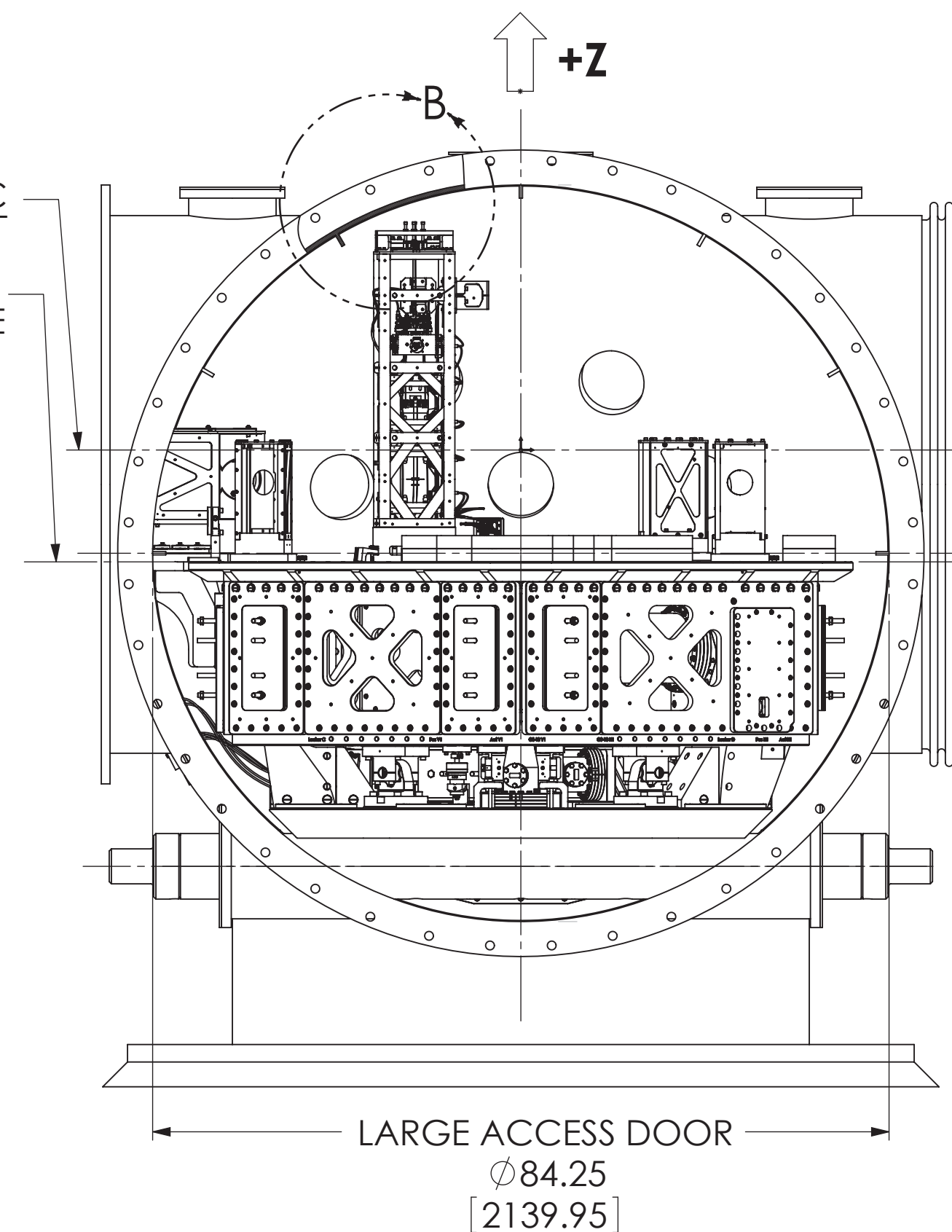
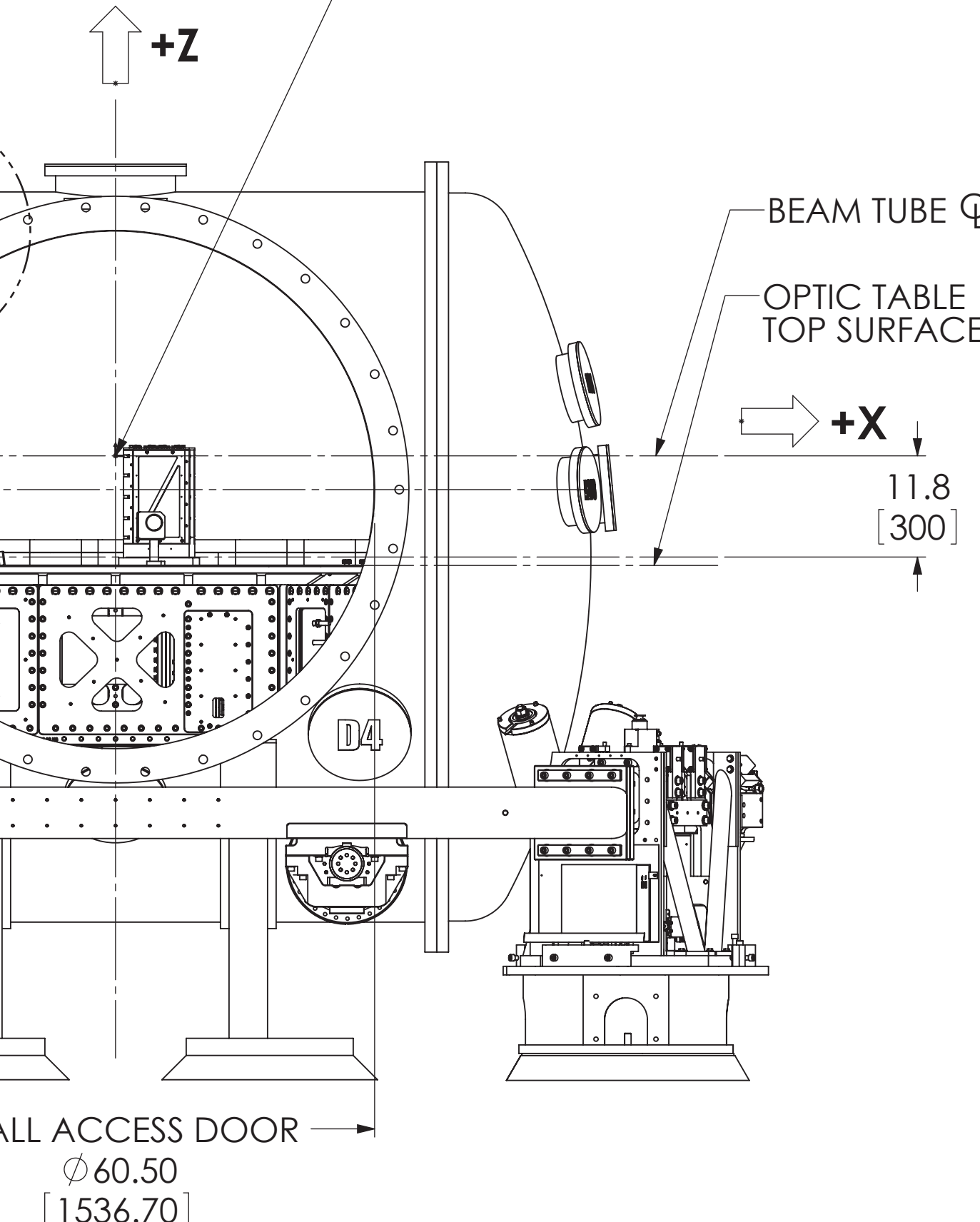


REV.	DATE	DCH #	DRAWING TREE #
v10	31 MAR 2016	E1600098-x0	

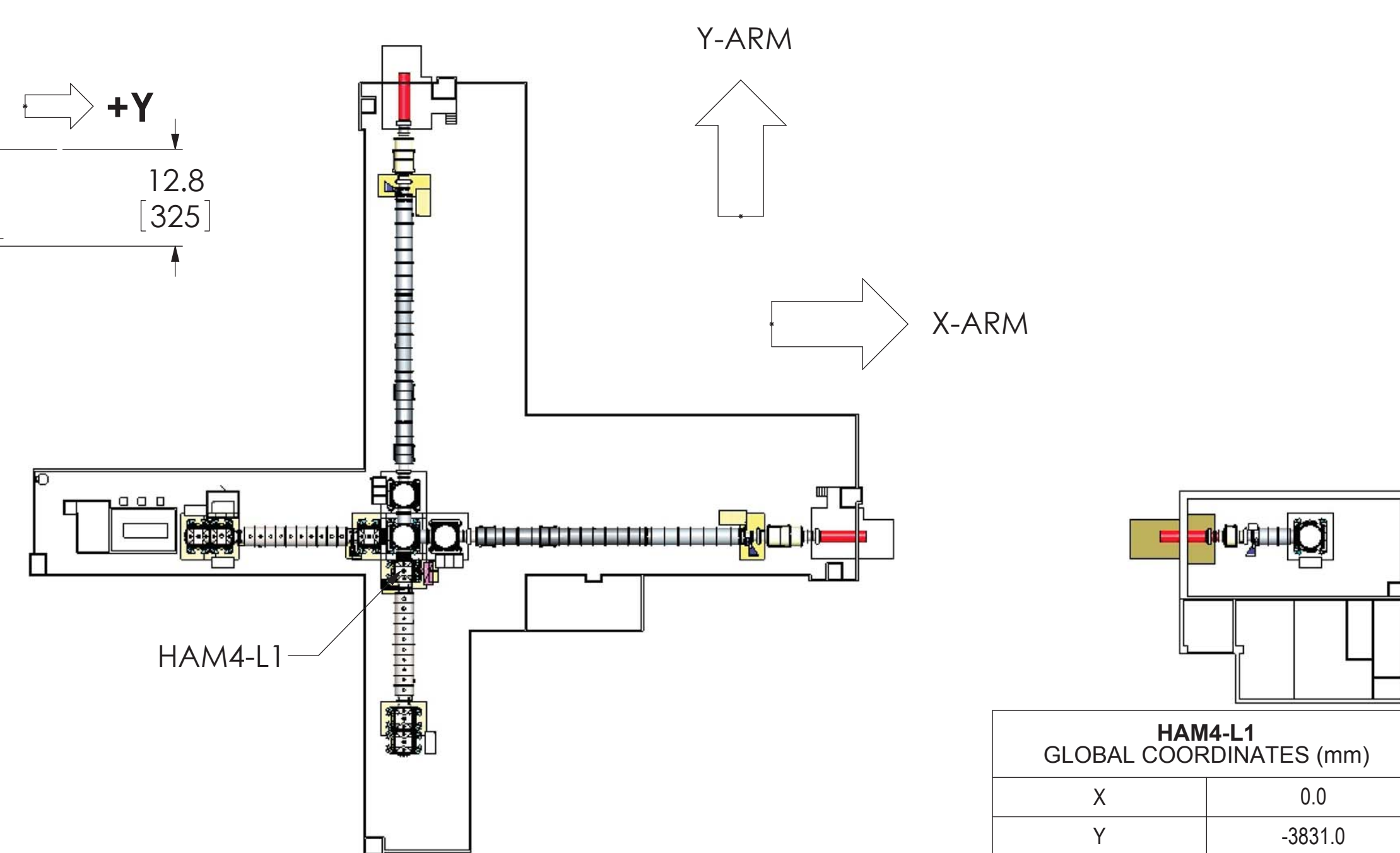


**TOP VIEW**

HAM LOCAL 0,0,0 CS



**RIGHT VIEW**



HAM4-L1 GLOBAL COORDINATES (mm)	
X	0.0
Y	-3831.0
Z	0.0



**FRONT VIEW**

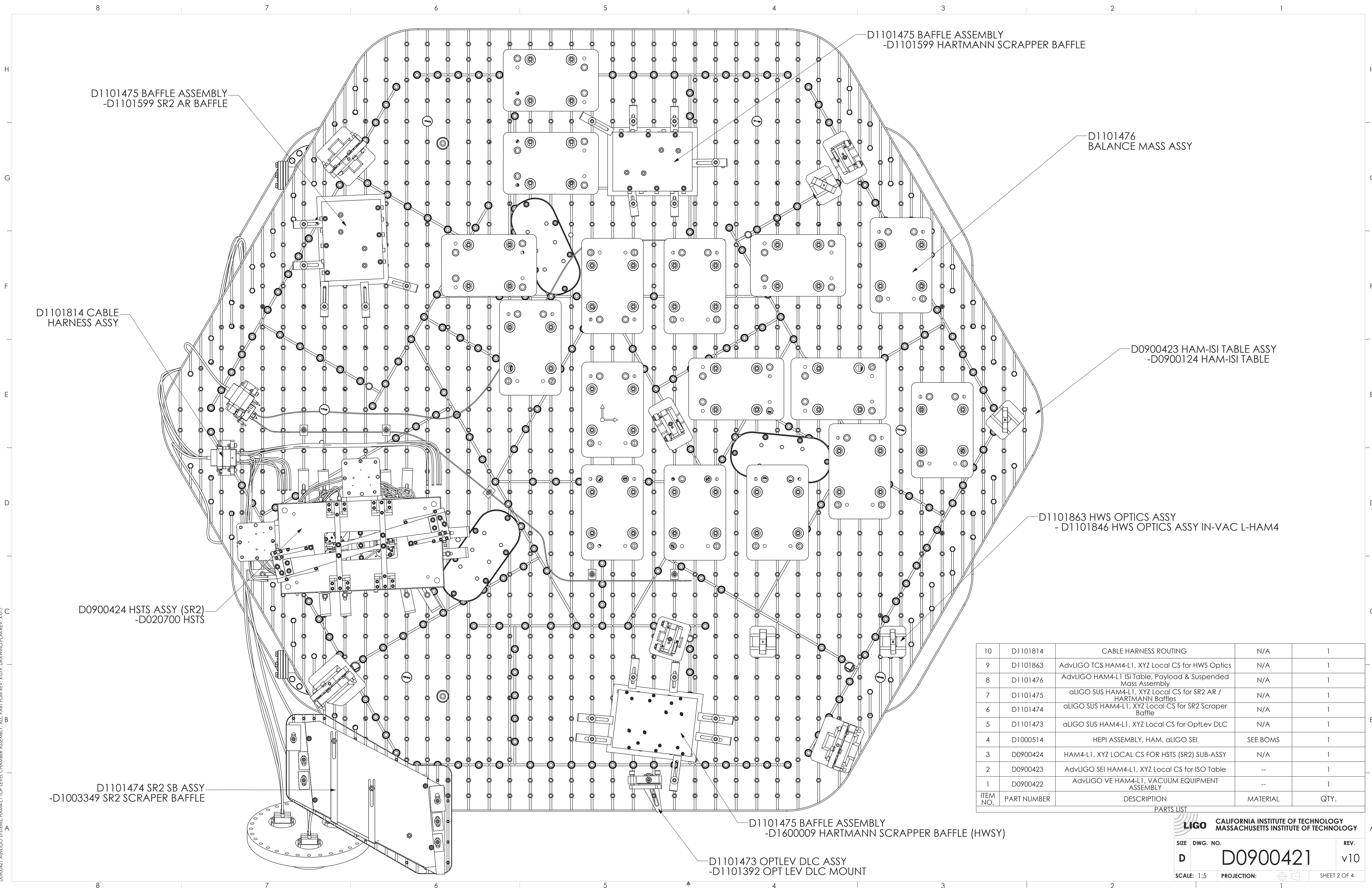
NOTES AND TOLERANCES: (UNLESS OTHERWISE SPECIFIED)

MATERIAL	FINISH
--	-- μinch

CALIFORNIA INSTITUTE OF TECHNOLOGY MASSACHUSETTS INSTITUTE OF TECHNOLOGY	
SYSTEM	SUB-SYSTEM
ADVANCED LIGO	SUS
NEXT ASSY	

PART NAME			
HAM4-L1 TOP LEVEL CHAMBER ASSEMBLY, FULLY DEFINED			
DESIGNER	27 JUL 2009	SIZE	DWG. NO.
DRAFTER	ED CHAVEZ	D	D0900421
CHECKER	C. TORRIE	REV.	v10
APPROVAL	SEE DCC	SCALE: 1:16	PROJECTION:
			SHEET 1 OF 4

D0900421 ADV LIGO SYSTEMS: HAM4-L1 TOP LEVEL CHAMBER ASSEMBLY - ALL PART FROM REV. X-079: DRAWING FROM REV. X-017



ITEM NO.	PART NUMBER	DESCRIPTION	MATERIAL	QTY.
10	D1101814	CABLE HARNESS ROUTING	N/A	1
9	D1101863	AdvLIGO TCS HAM4-L1, XYZ Local CS for HWS Optics	N/A	1
8	D1101476	AdvLIGO HAM4-L1 Isi Table, Payload & Suspended Mass Assembly	N/A	1
7	D1101475	aLIGO SUS HAM4-L1, XYZ Local CS for SR2 AR / HARTMANN Baffles	N/A	1
6	D1101474	aLIGO SUS HAM4-L1, XYZ Local CS for SR2 Scraper Baffle	N/A	1
5	D1101473	aLIGO SUS HAM4-L1, XYZ Local CS for OptLev DLC	N/A	1
4	D1000514	HEPI ASSEMBLY, HAM, aLIGO SEI	SEE BOMS	1
3	D0900424	HAM4-L1, XYZ LOCAL CS FOR HSTS (SR2) SUB-ASSY	N/A	1
2	D0900423	AdvLIGO SEI HAM4-L1, XYZ Local CS for ISO Table	--	1
1	D0900422	AdvLIGO VE HAM4-L1, VACUUM EQUIPMENT ASSEMBLY	--	1

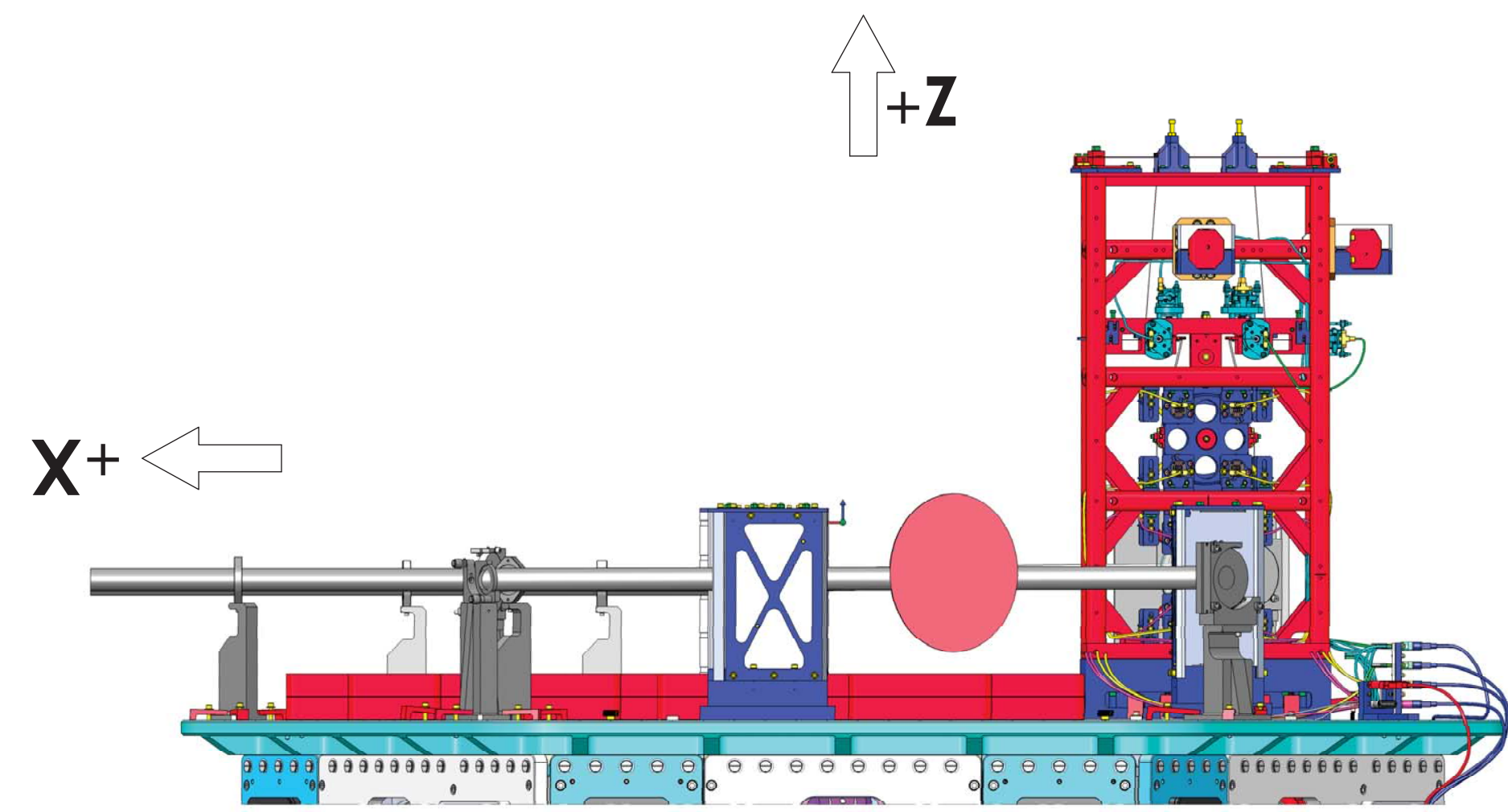
PARTS LIST

**LIGO** CALIFORNIA INSTITUTE OF TECHNOLOGY  
MASSACHUSETTS INSTITUTE OF TECHNOLOGY

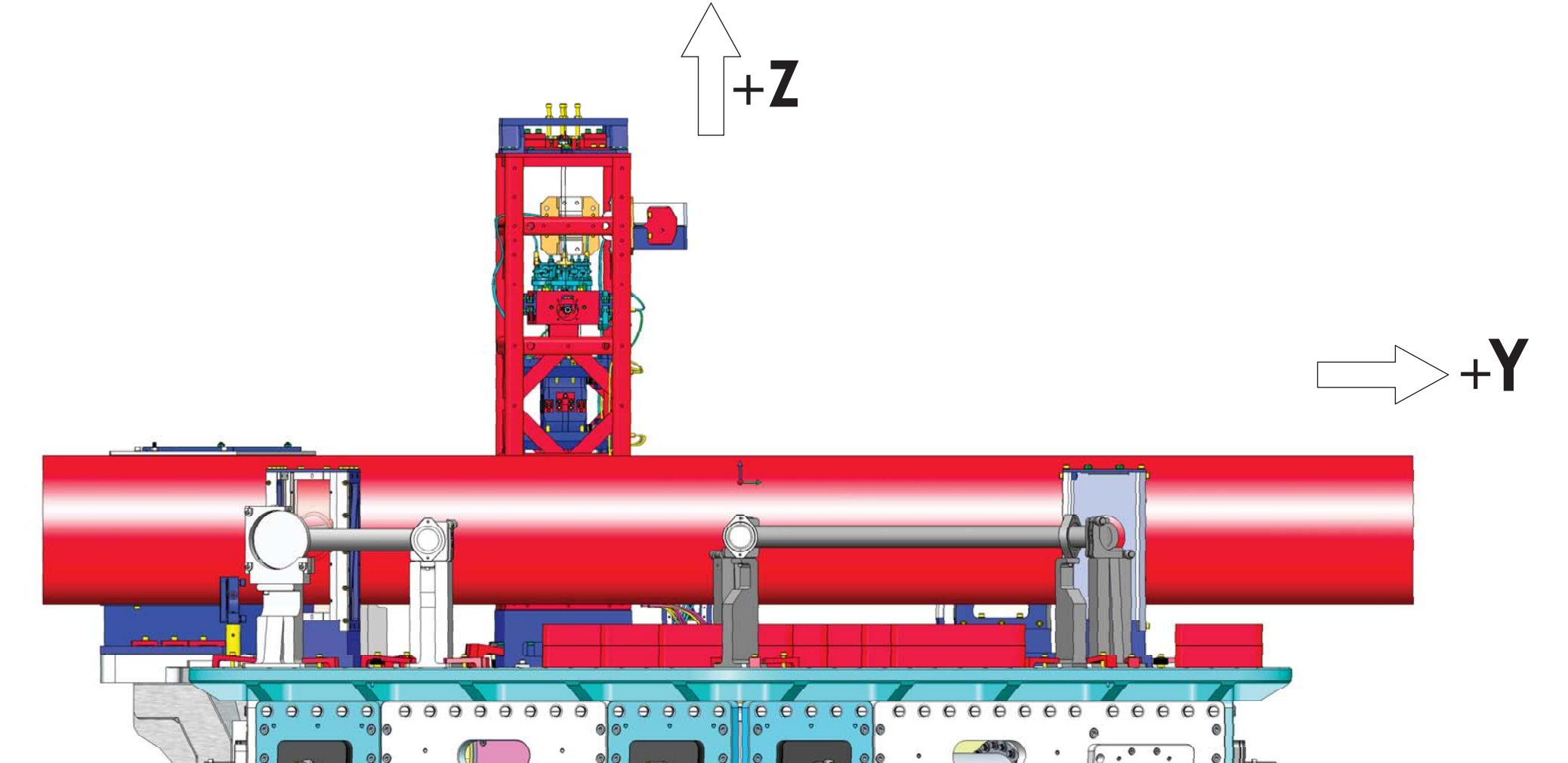
SIZE DWG. NO. REV.  
**D** **D0900421** v10

SCALE: 1:5 PROJECTION: SHEET 2 OF 4

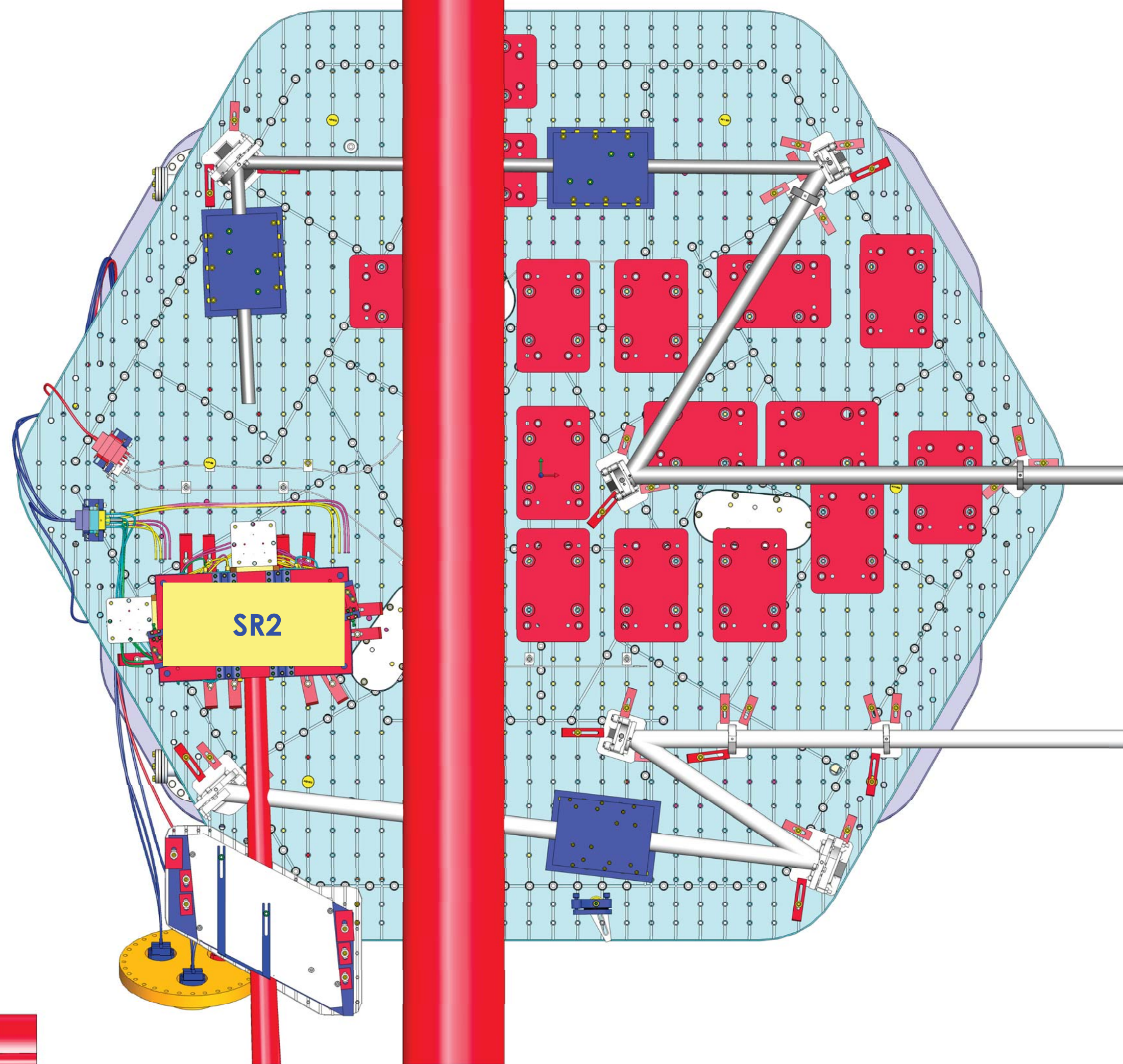
D0900421 ADVLIGO SYSTEMS: HAM4-L1 TOP LEVEL CHAMBER ASSEMBLY: ALL PART PDM REV. X:079: DRAWING PDM REV. X:017



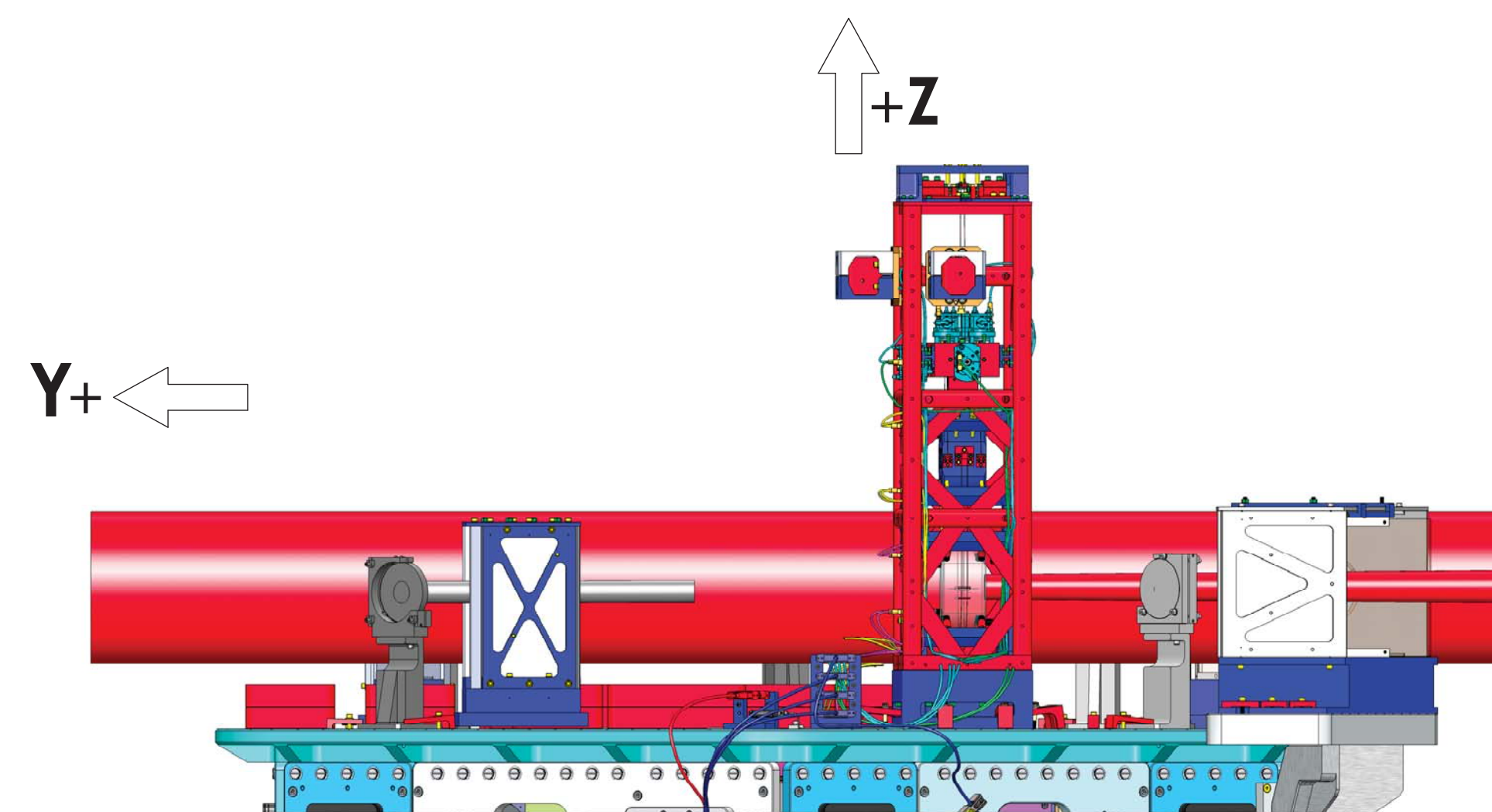
REAR VIEW  
(ROTATED 180 DEGREES CCW)



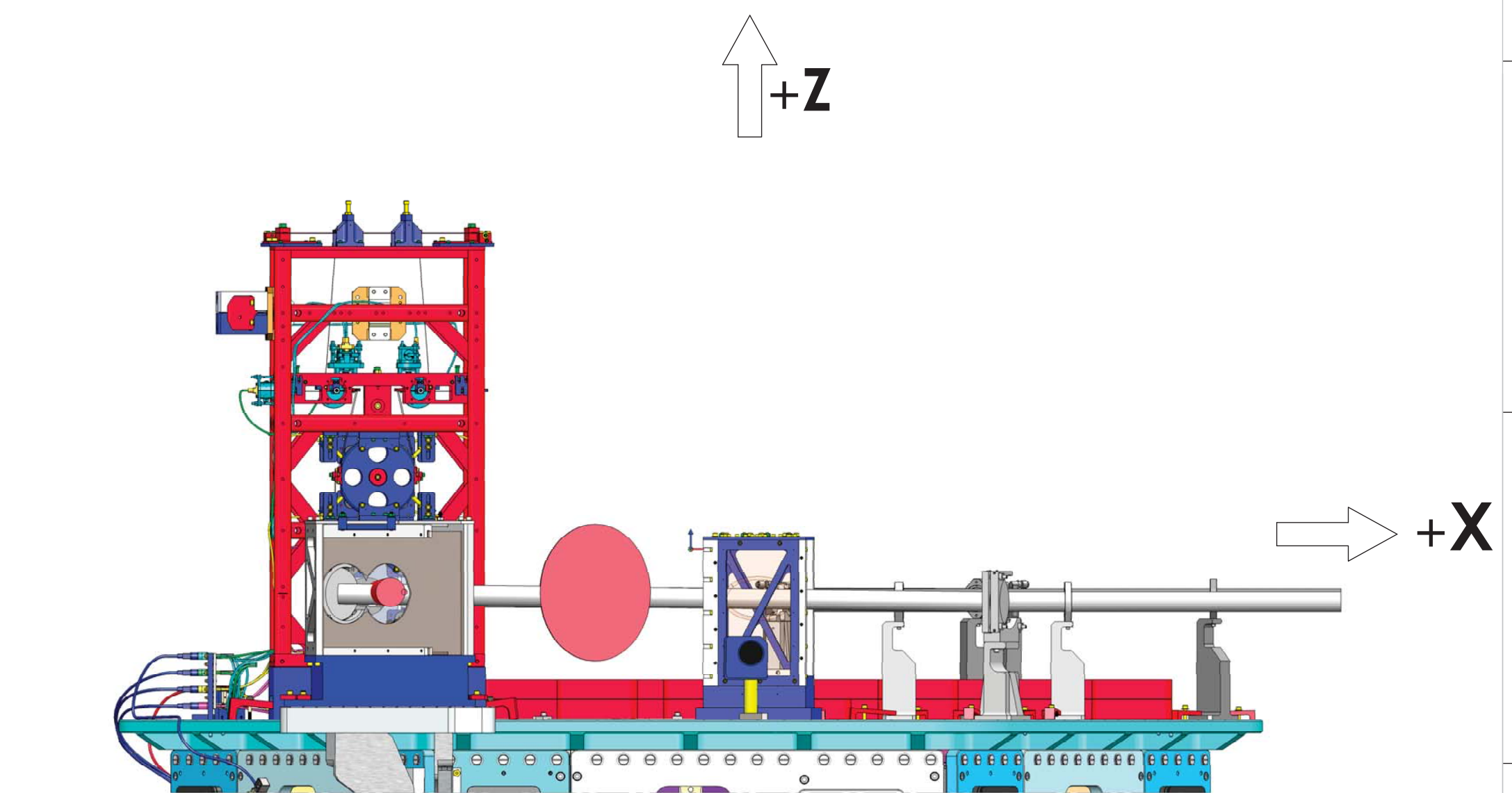
RIGHT SIDE VIEW  
(ROTATED 90 DEGREES CW)



TOP VIEW



LEFT SIDE VIEW  
(ROTATED 90 DEGREES CCW)

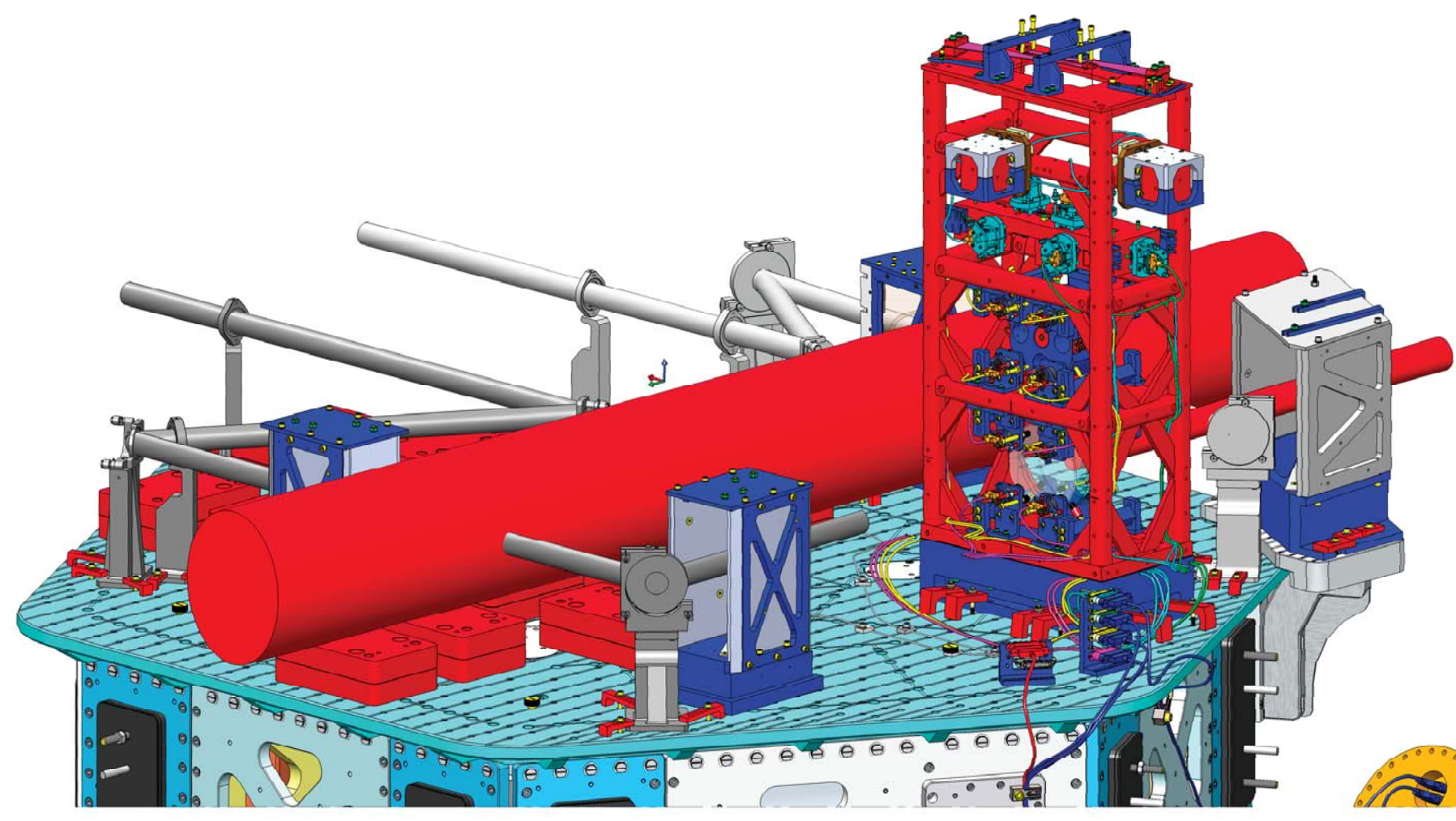


FRONT VIEW

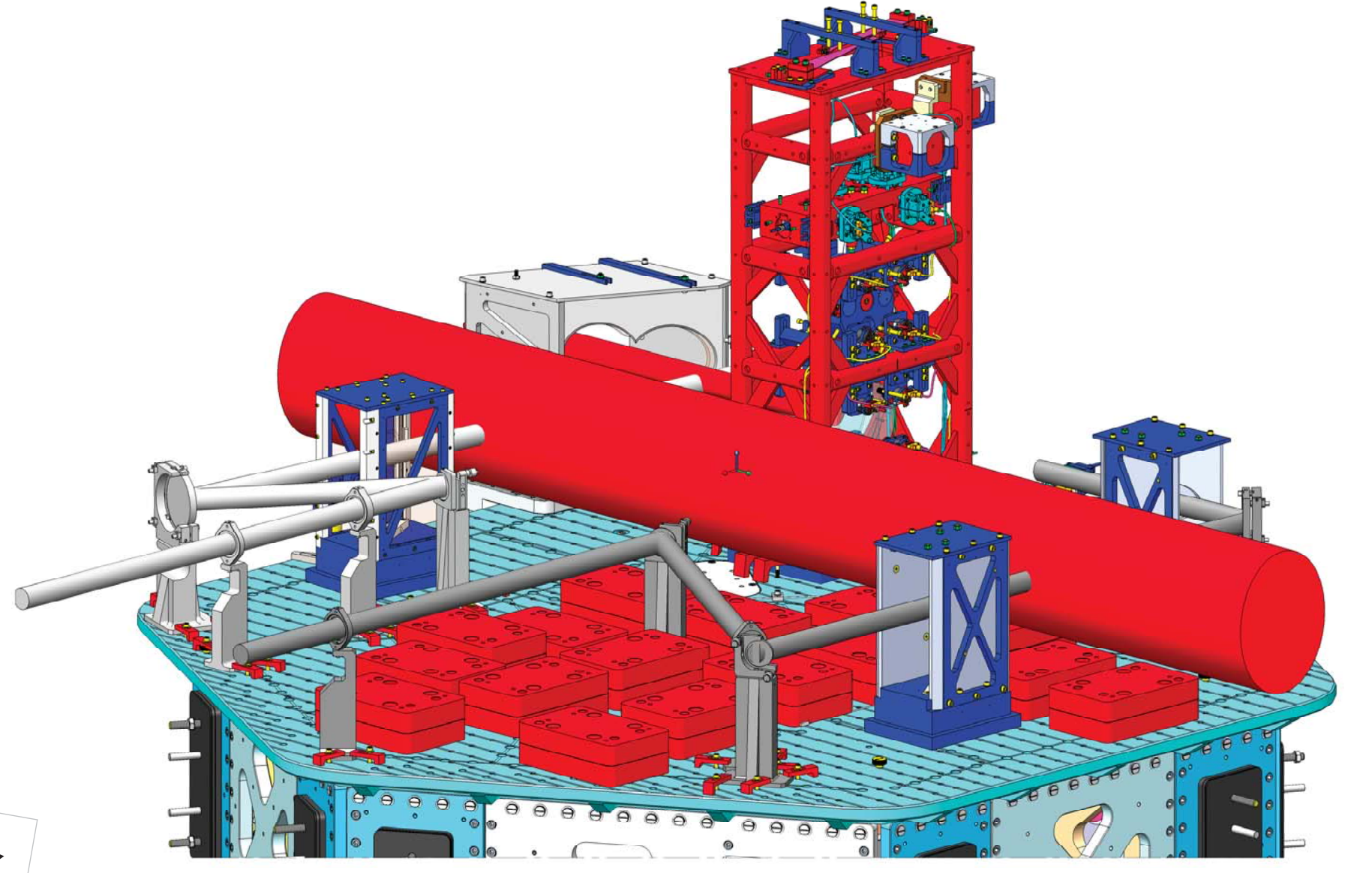
# LASER BEAMS - ORTHO VIEWS

CALIFORNIA INSTITUTE OF TECHNOLOGY MASSACHUSETTS INSTITUTE OF TECHNOLOGY		
SIZE	DWG. NO.	REV.
D	D0900421	v10
SCALE: 1:24	PROJECTION:	SHEET 3 OF 4

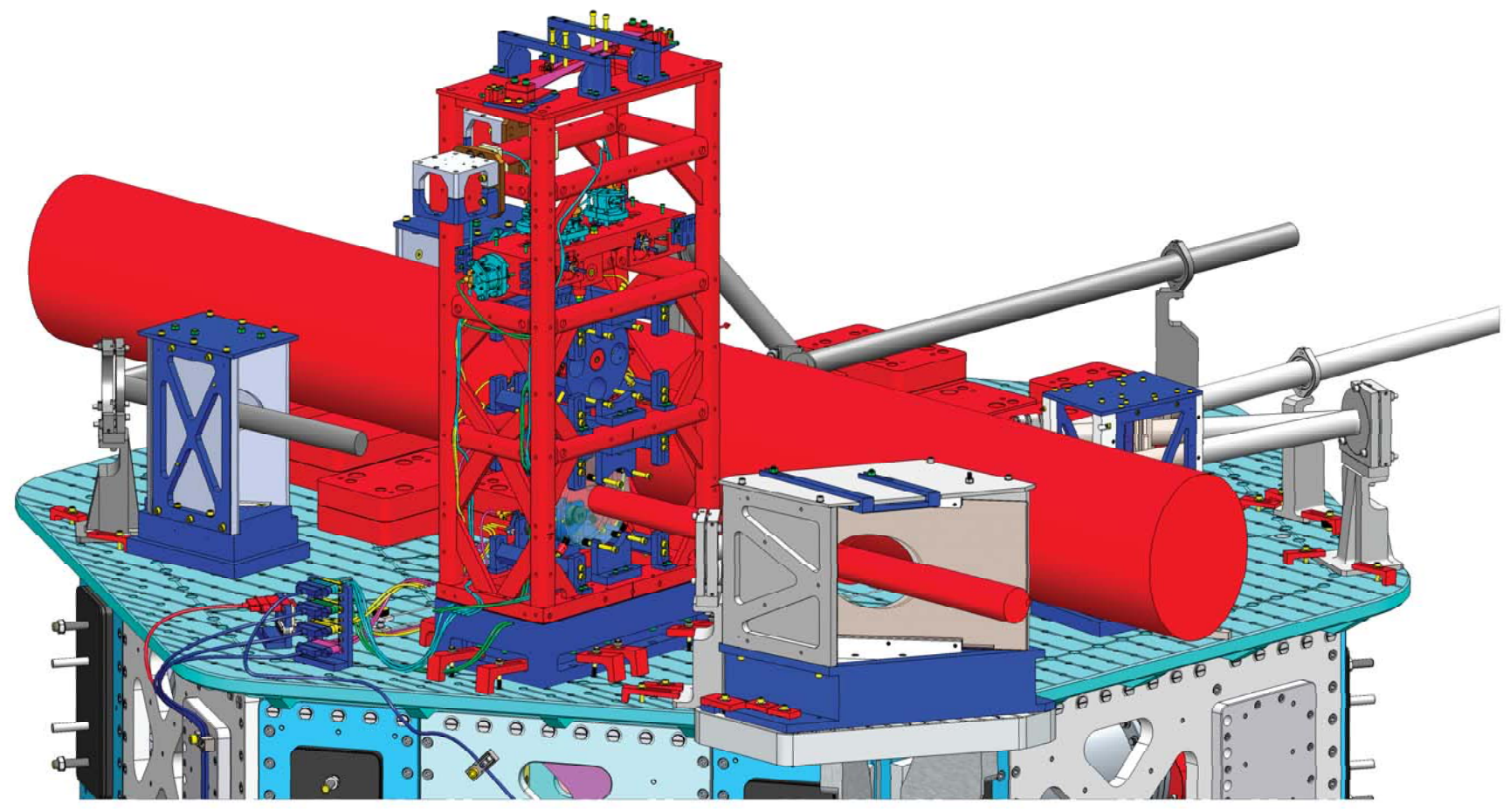
D0900421 ASD/LIGO SYSTEMS, HAMM-LI TOP LEVEL CHAMBER ASSEMBLY, ALL PART PDM REV. X-079, DRAWING PDM REV. X-017



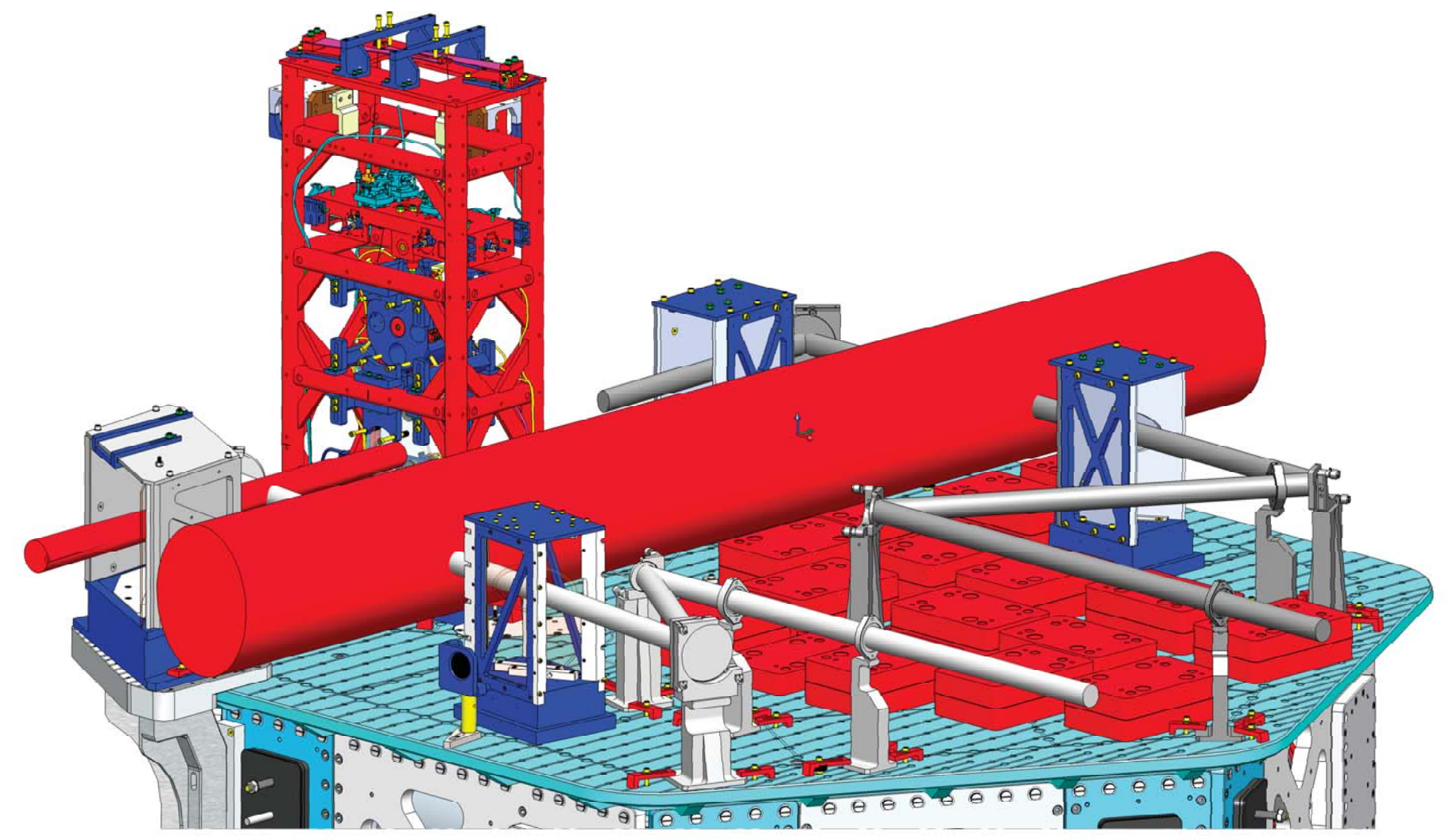
ISO REAR - LEFT



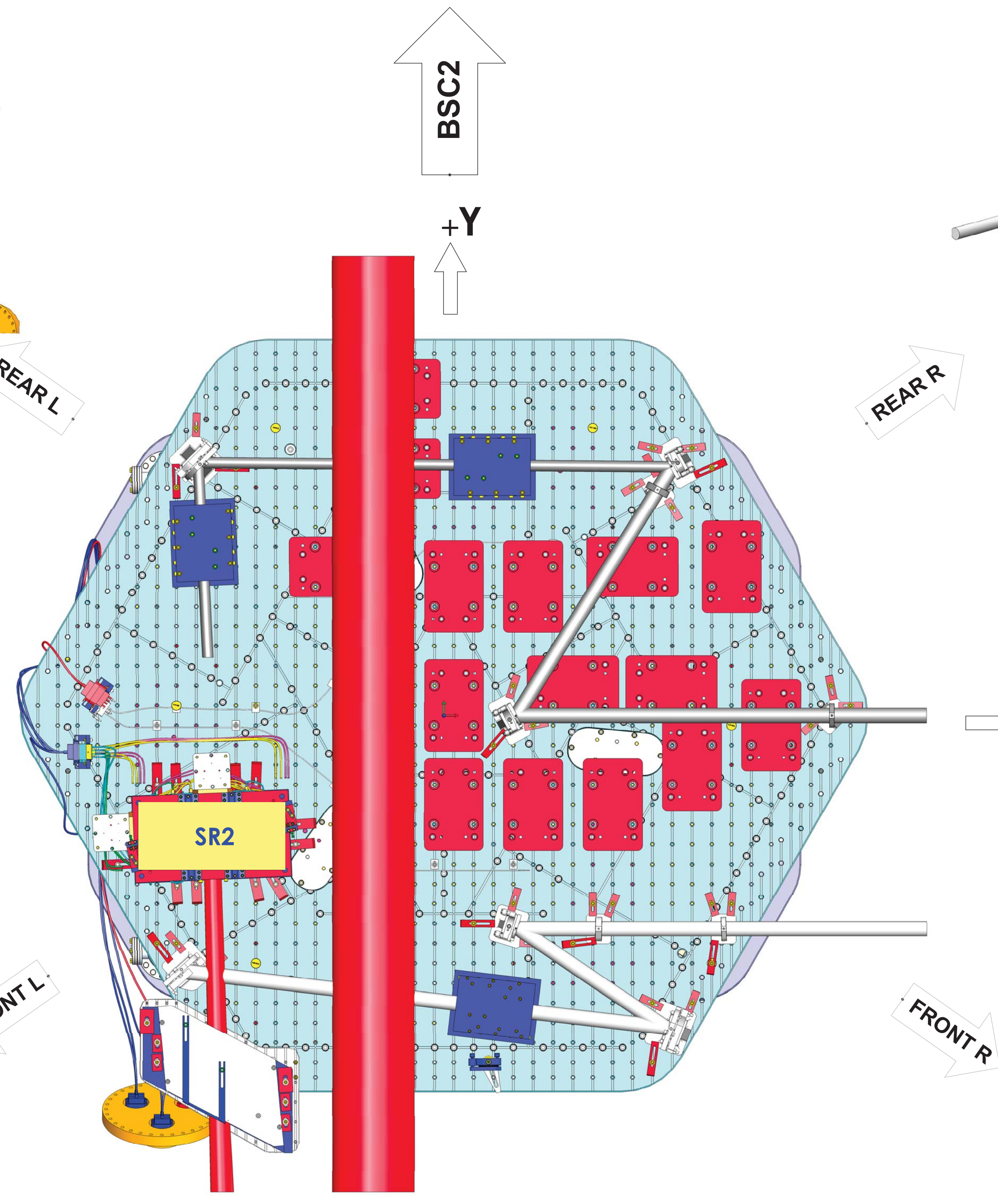
ISO REAR - RIGHT



ISO FRONT - LEFT



ISO FRONT - RIGHT



TOP VIEW

# LASER BEAMS - ISO VIEWS

CALIFORNIA INSTITUTE OF TECHNOLOGY MASSACHUSETTS INSTITUTE OF TECHNOLOGY	
SIZE DWG. NO.	REV.
D D0900421	v10
SCALE: 1:24	PROJECTION:
SHEET 4 OF 4	

D0900421 ASD/LIGO SYSTEMS, HAMMILL TOP LEVEL CHAMBER ASSEMBLY, ALL PART PDM REV. X-079, DRAWING PDM REV. X-017