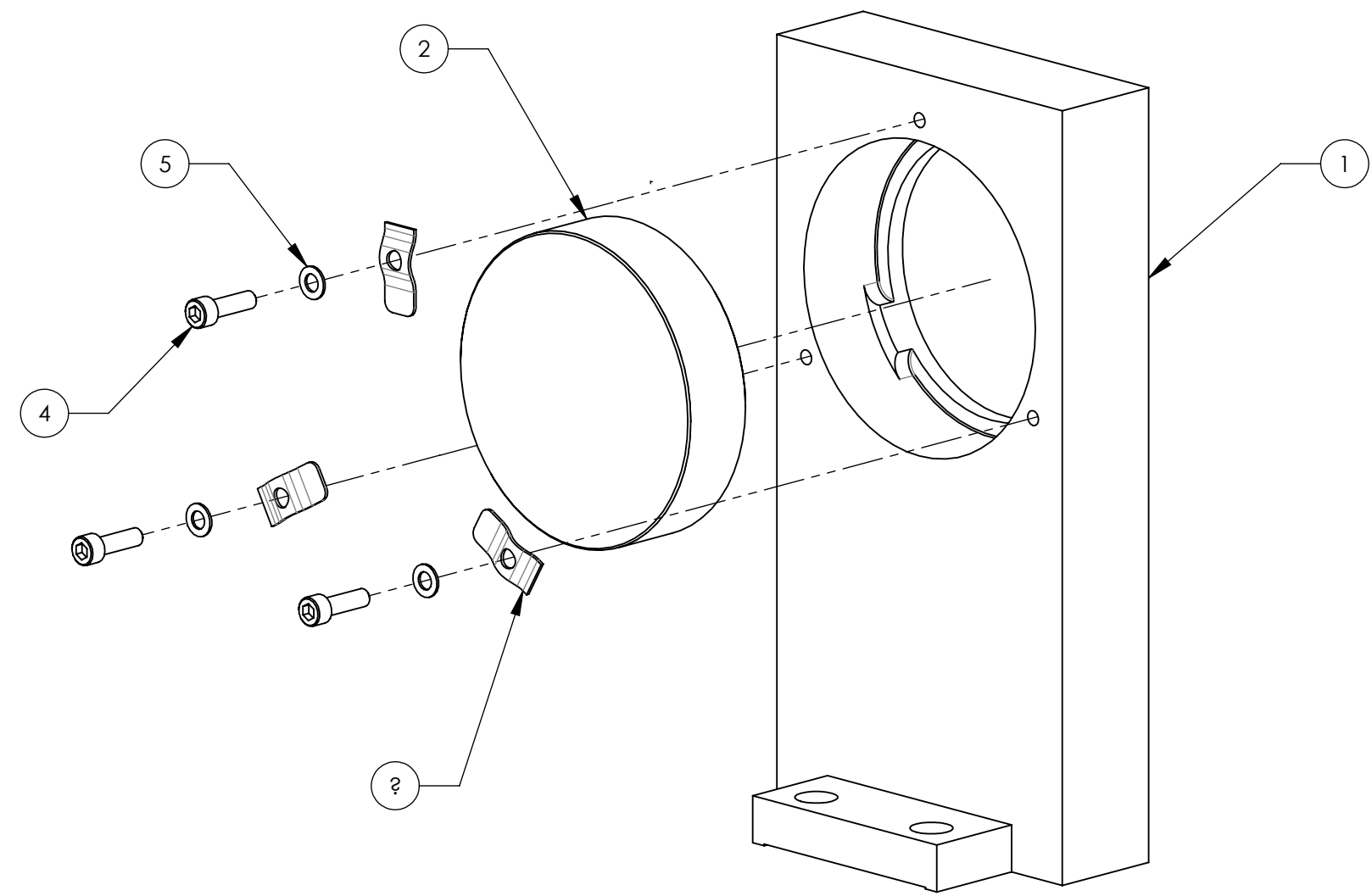


D0900440_AdlIGO_AOS_D0900623_TFP Polarizer Plate Assy, PART PDM REV: X-055, DRAWING PDM REV: X-005

REV.	DATE	DCN #	DRAWING TREE #
v1	08 OCT 2010	E1000563	



ITEM NO.	PART NUMBER	DESCRIPTION	MATERIAL	REQ	SPARE	TOTAL
5	-	WASHER, FLAT, #4 (NAS 620-C4L OR EQUIVALENT)	300 SSSL	3		3
4	-	SCREW, SOCKET HEAD CAP, #4-40 UNC-2A X 0.375 LONG	300 SSSL	3		3
3	D1001919	BEAM DUMP MOUNTING CLAMP	304 SSSL	3		3
2	TFP-1064-PW-2025-UV	STEERING MIRROR		1		1
1	D0900439	TFP POLARIZER PLATE	6061-T6 Al	1		1

NOTES AND TOLERANCES: (UNLESS OTHERWISE SPECIFIED)

1. INTERPRET DRAWING PER ASME Y14.5-1994.
 2. REMOVE ALL SHARP EDGES, R.02 MIN.
 3. DO NOT SCALE FROM DRAWING.
 4. ALL MACHINING FLUIDS MUST BE FULLY SYNTHETIC, FULLY WATER SOLUBLE AND FREE OF SULFUR, SILICONE, AND CHLORINE.

DIMENSIONS ARE IN
 TOLERANCES:
 .XX ±
 .XXX ±
 ANGULAR ± °

MATERIAL: -- FINISH: -- μinch

PARTS LIST

CALIFORNIA INSTITUTE OF TECHNOLOGY MASSACHUSETTS INSTITUTE OF TECHNOLOGY		PART NAME TFP POLARIZER PLATE ASSY	
SYSTEM ADVANCED LIGO	SUB-SYSTEM AOS	DESIGNER DRAFTER CHECKER APPROVAL	SIZE DWG. NO. B D0900440
NEXT ASSY D0900623	MRUIZ 08/31/2010	REV. v1	SCALE: 1:1 PROJECTION: SHEET 1 OF 1

8 7 6 5 4 3 2 1