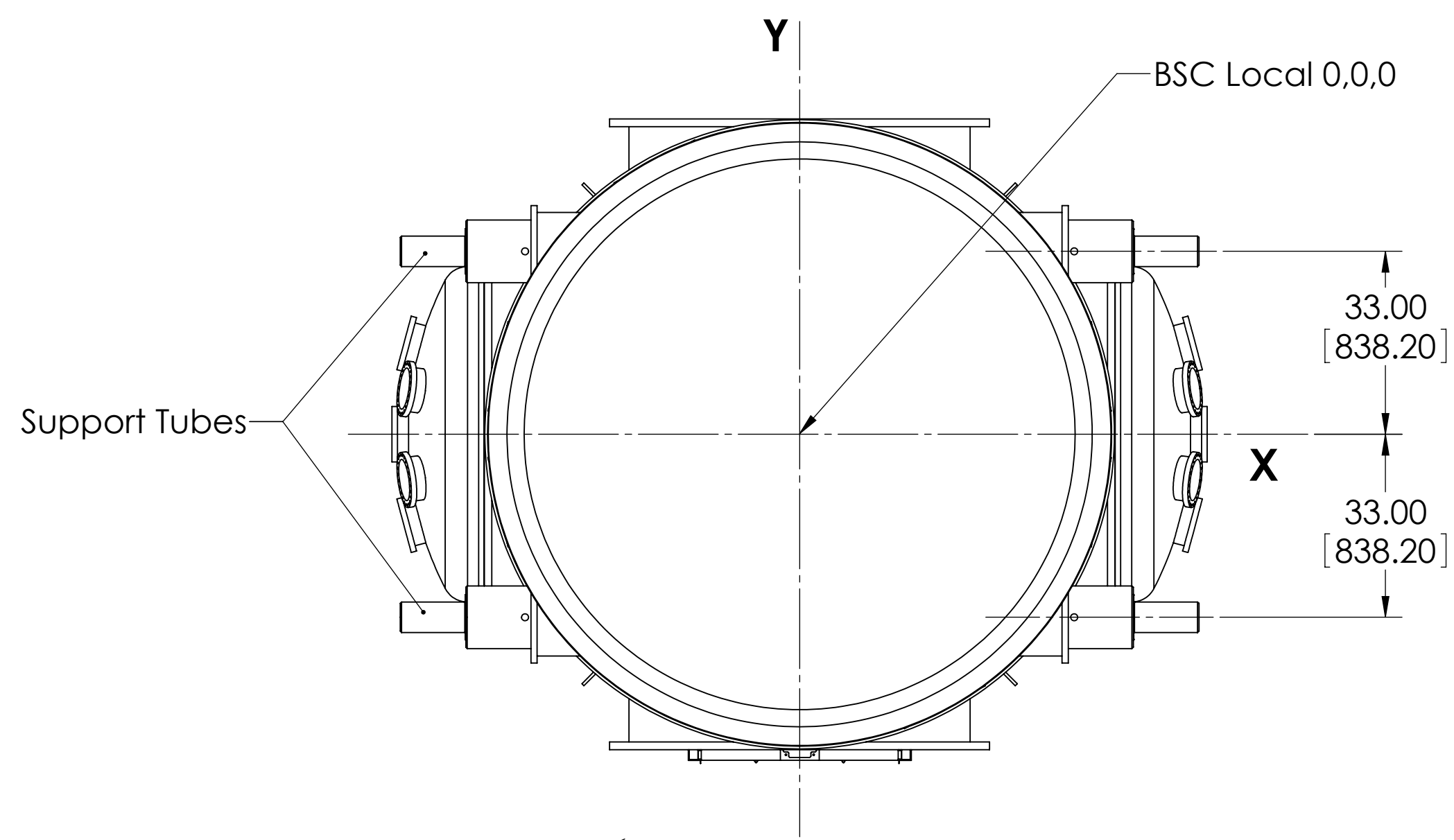
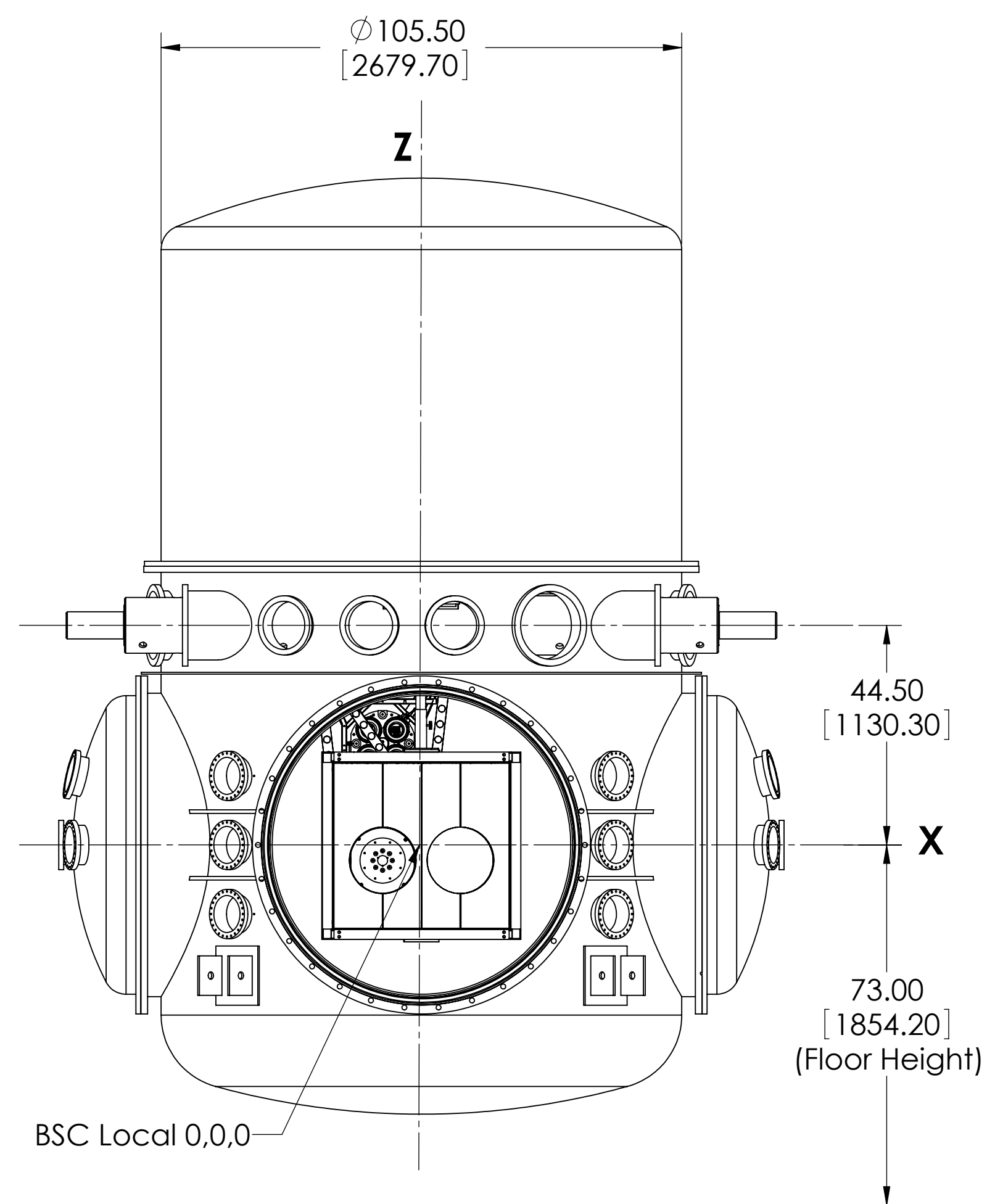


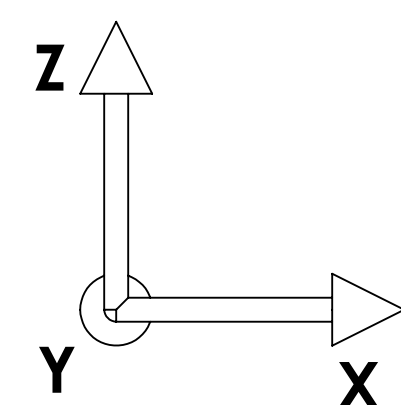
REV.	DATE	DCN #	DRAWING TREE #
-	-	-	-
-	-	-	-
-	-	-	-



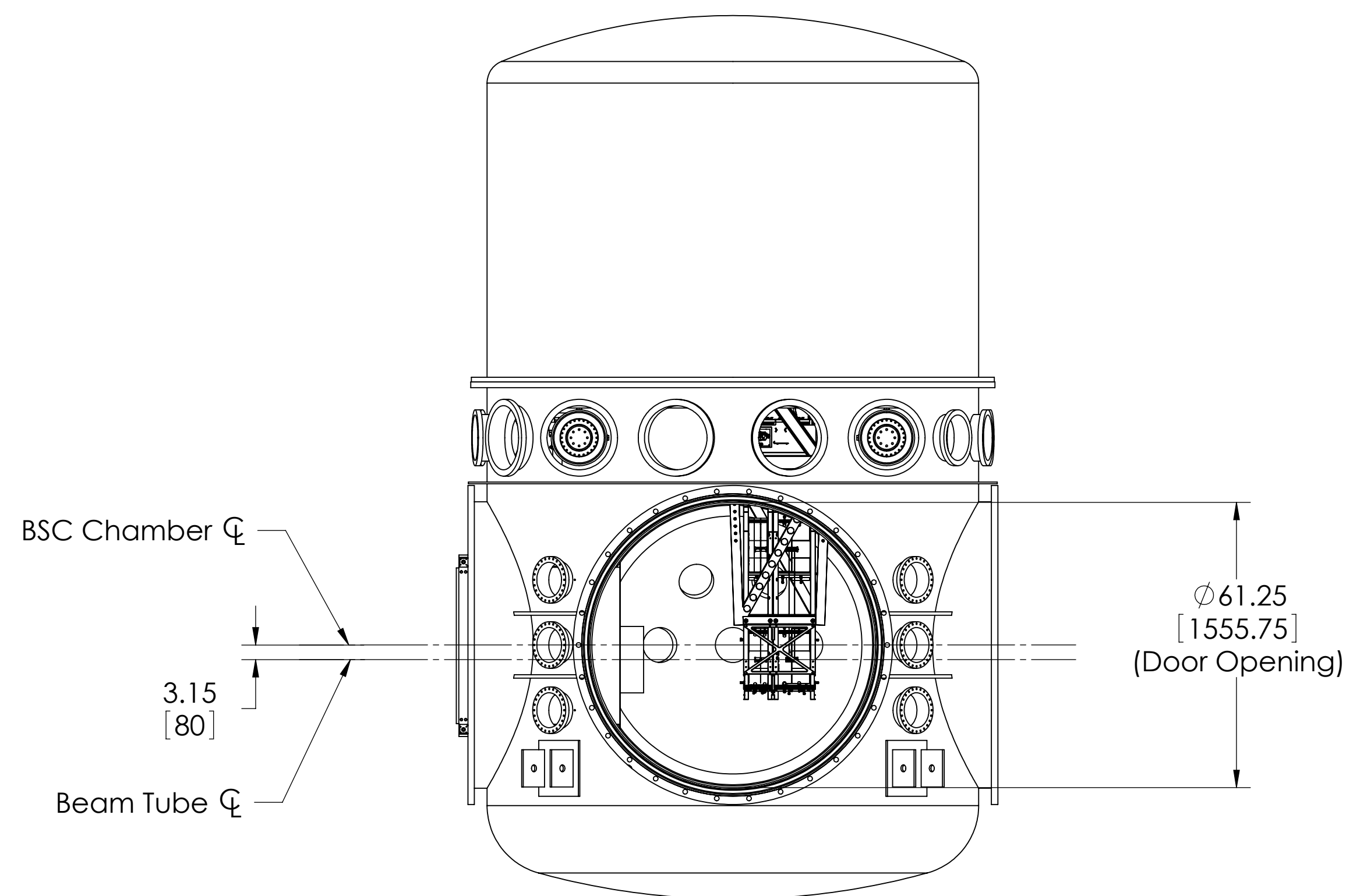
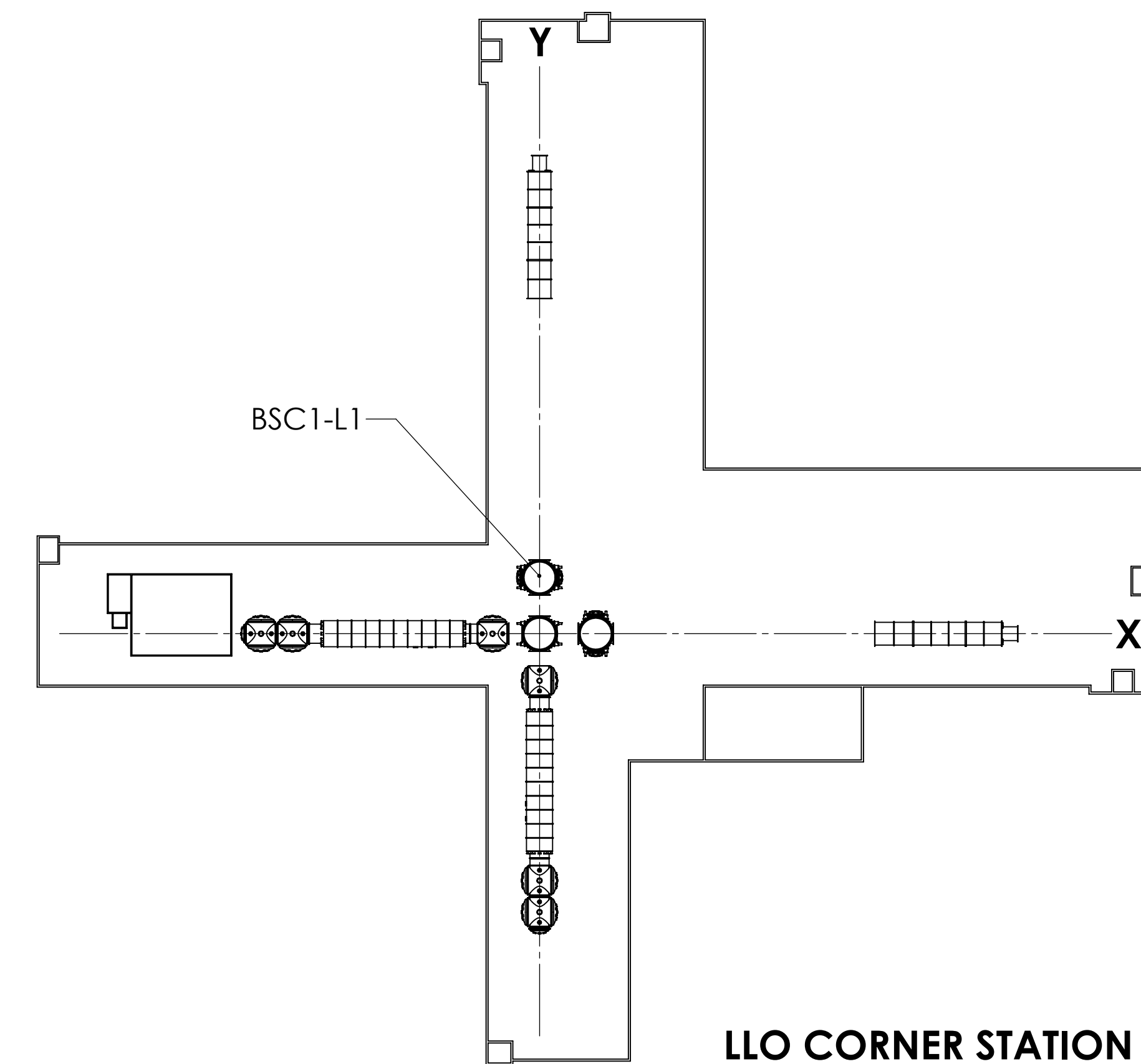
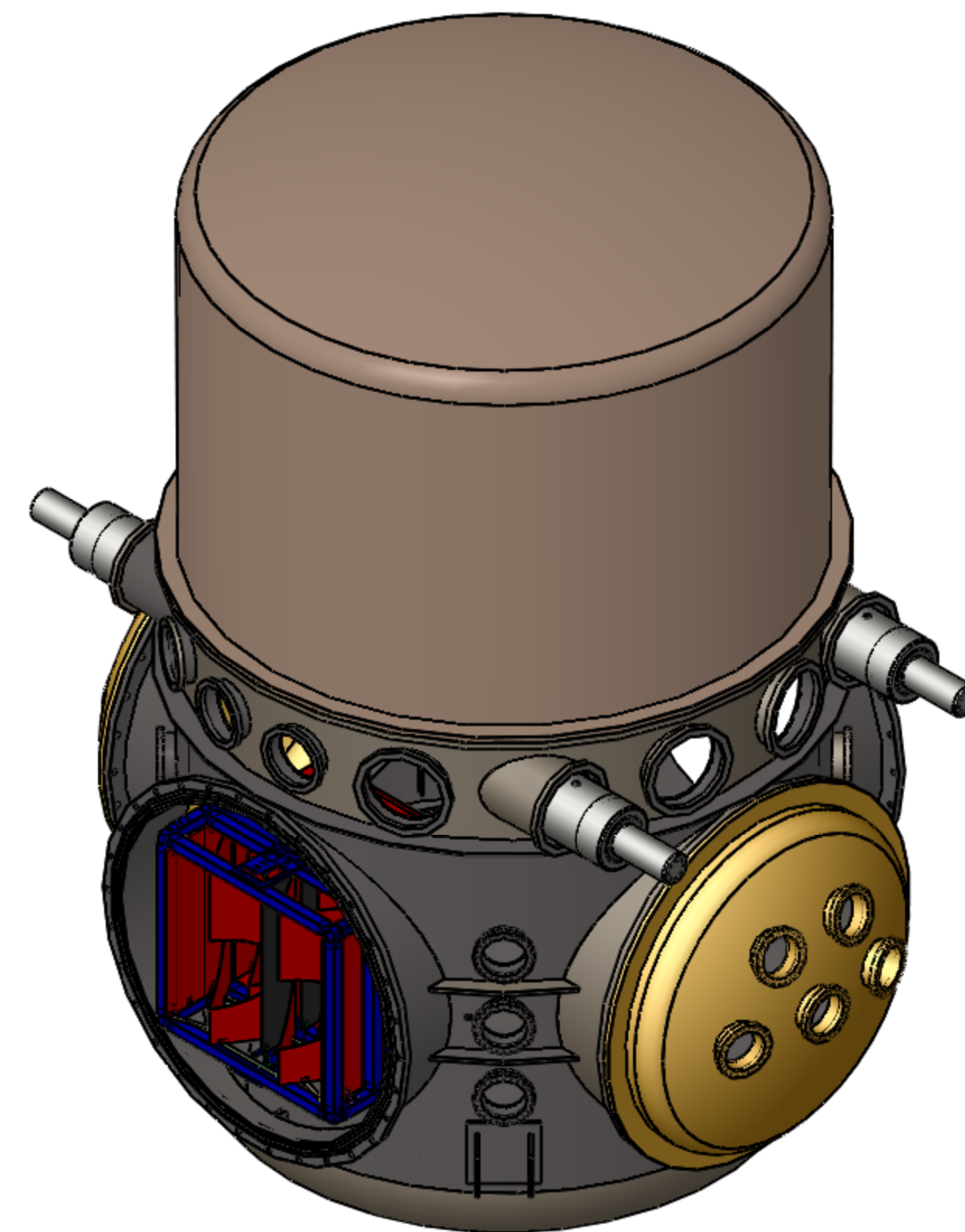
TOP VIEW



FRONT VIEW



Global Axes Front View



RIGHT SIDE VIEW

BSC1-L1 GLOBAL COORDINATES (mm)	
X	0.0
Y	4580.0
Z	0.0

NOTES AND TOLERANCES: (UNLESS OTHERWISE SPECIFIED)

DIMENSIONS ARE IN INCHES

TOLERANCES:

.XX ± 0.01

.XXX ± 0.005

ANGULAR ± 0.5°

MATERIAL	FINISH
--	-- μinch

LIGO CALIFORNIA INSTITUTE OF TECHNOLOGY
MASSACHUSETTS INSTITUTE OF TECHNOLOGY

SYSTEM: ADVANCED LIGO SUB-SYSTEM: SUS

NEXT ASSY

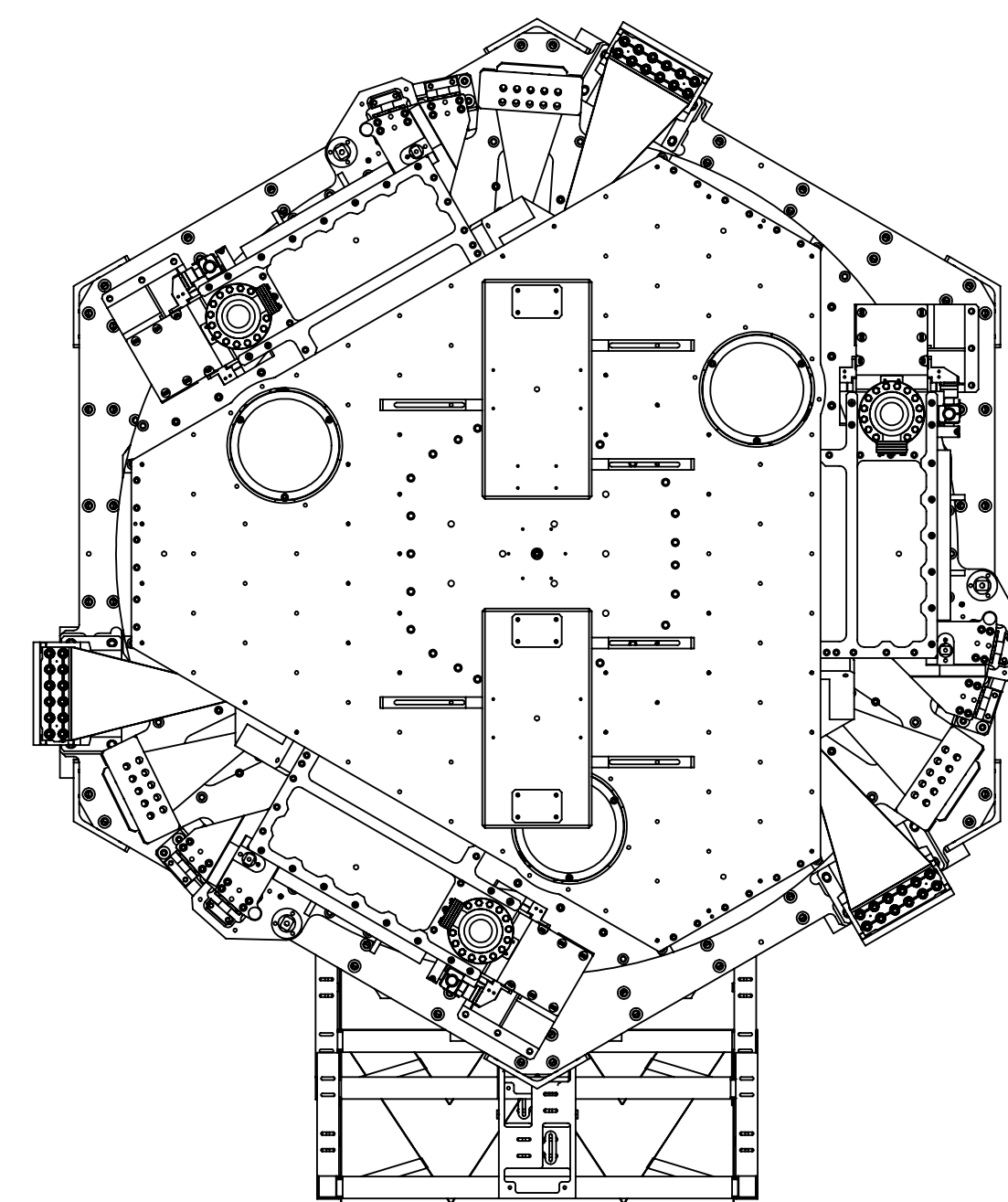
PART NAME: BSC1-L1 Top Level Chamber Assembly, Fully Defined

DESIGNER: ED CHAVEZ DRAFTER: ED CHAVEZ CHECKER: APPROVAL:

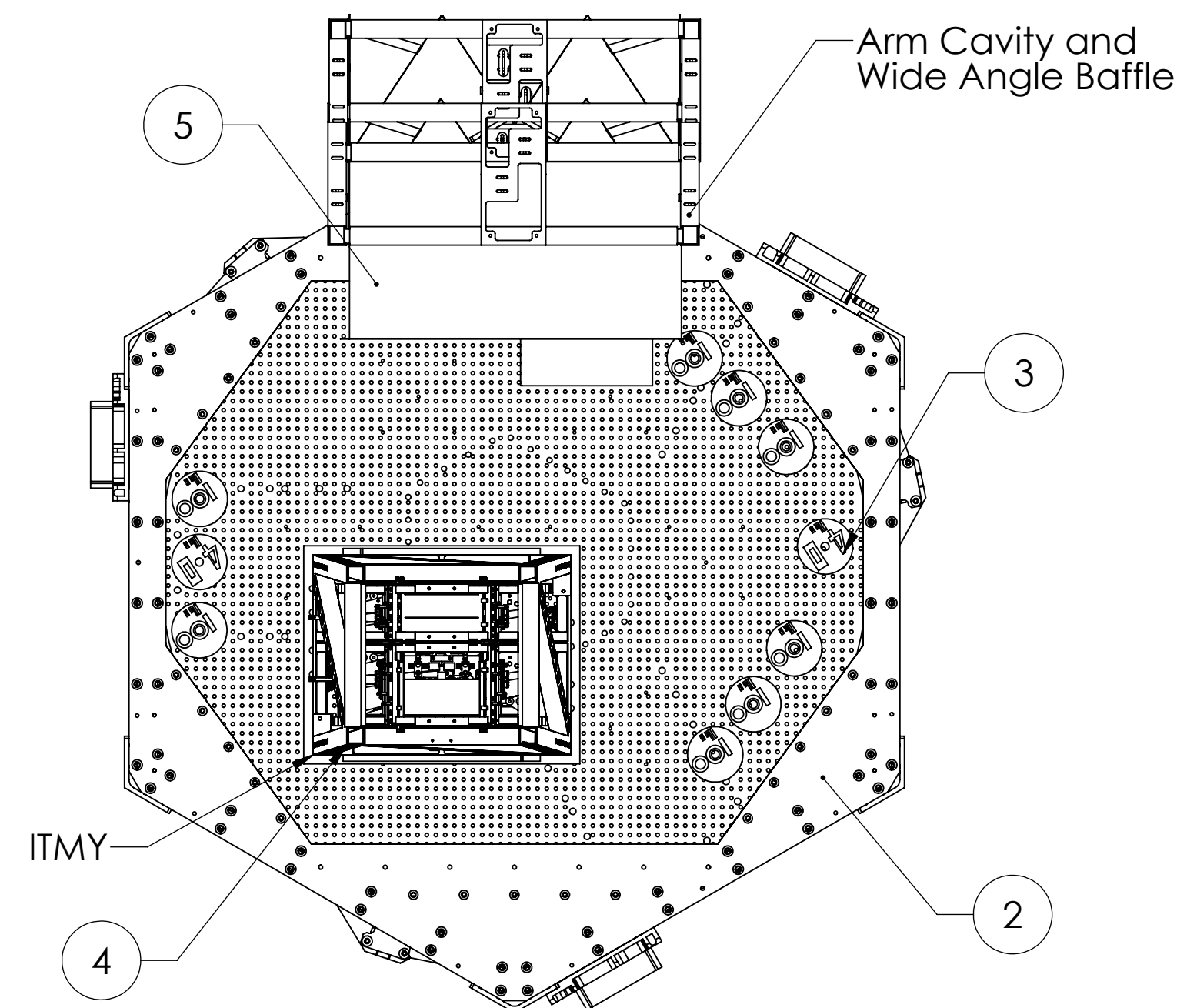
SIZE: D DWG. NO.: D0900442 REV.: v3

SCALE: 1:32 PROJECTION: SHEET 1 OF 5

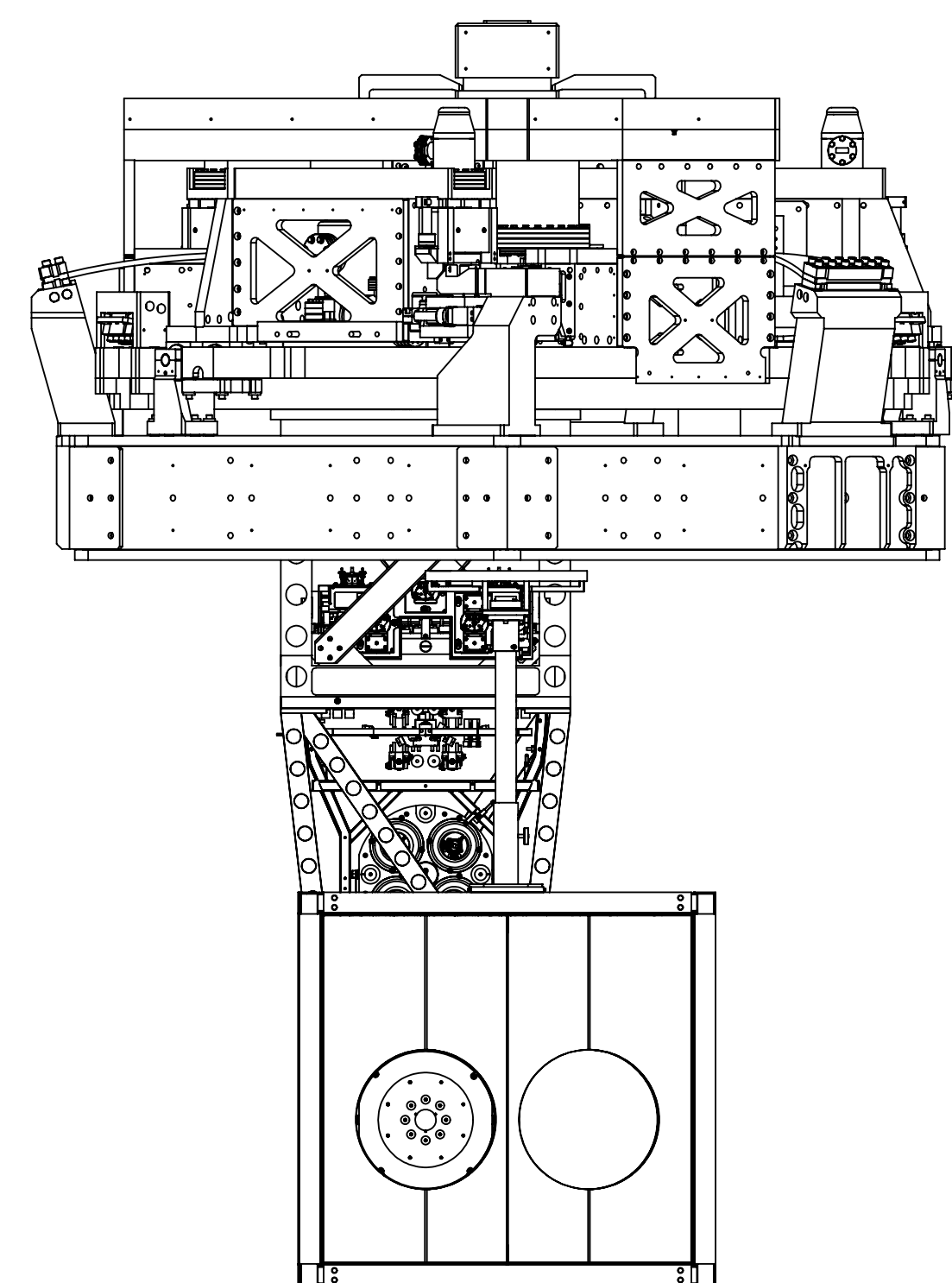
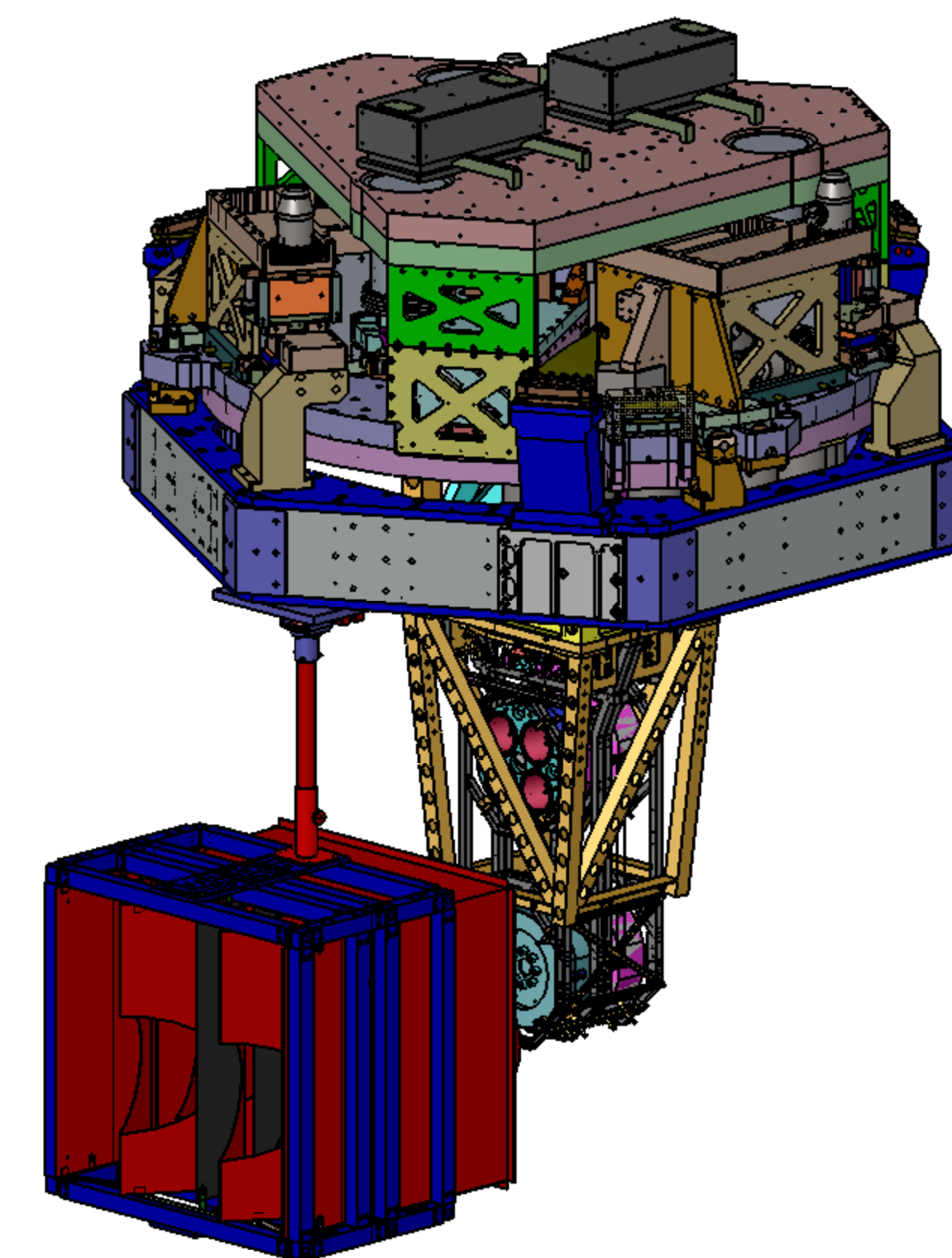
REV.	DATE	DCN #	DRAWING TREE #
-	-	-	-
-	-	-	-
-	-	-	-



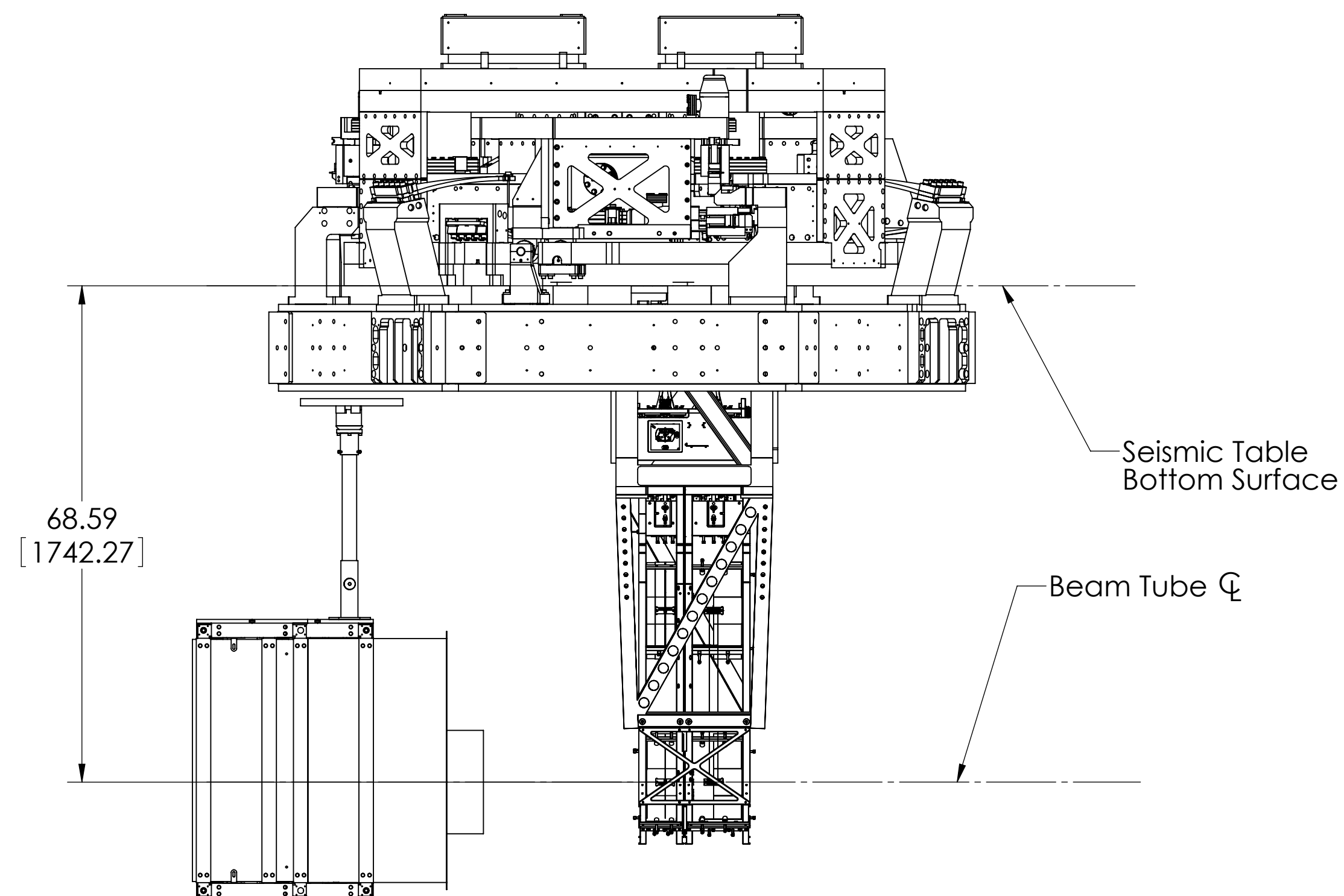
TOP VIEW



BOTTOM VIEW



FRONT VIEW



RIGHT SIDE VIEW

BSC1-L1 GLOBAL COORDINATES (mm)	
X	0.0
Y	4580.0
Z	0.0

NOTES AND TOLERANCES: (UNLESS OTHERWISE SPECIFIED)	
DIMENSIONS ARE IN INCHES	
TOLERANCES: .XX ± 0.01 .XXX ± 0.005	
ANGULAR ± 0.5°	
MATERIAL	--
FINISH	-- μinch

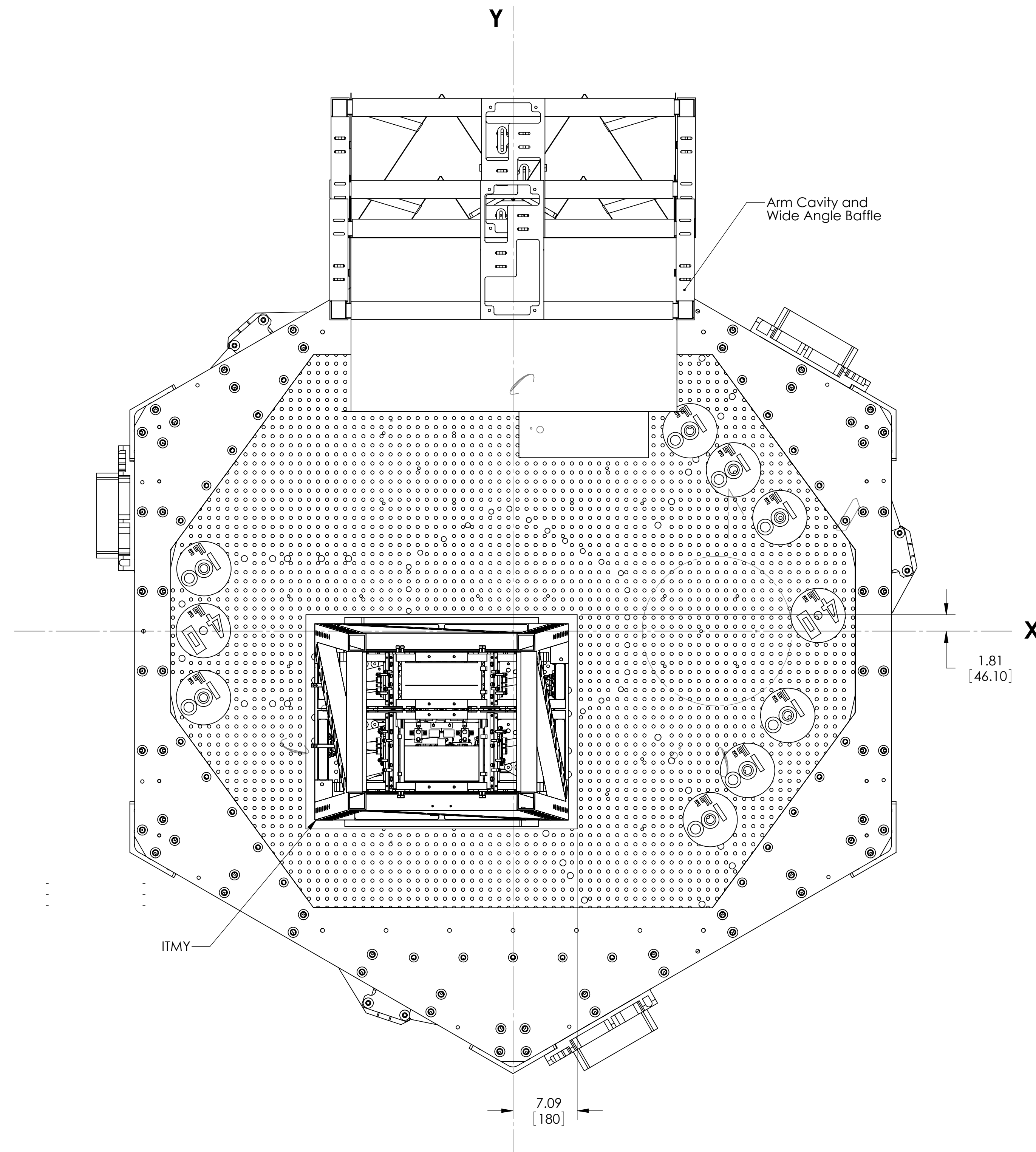
CALIFORNIA INSTITUTE OF TECHNOLOGY MASSACHUSETTS INSTITUTE OF TECHNOLOGY	
SYSTEM	SUB-SYSTEM
ADVANCED LIGO	SUS
NEXT ASSY	

ITEM NO.	PART NUMBER	DESCRIPTION	MATERIAL	FULL/QTY.
5	D090XXXX	AdvLIGO SUS BSC1-L1, XYZ Local CS for Arm Cavity & Wide Angle Baffle	N/A	1
4	D0900445	AdvLIGO SUS BSC1-L1, XYZ Local CS for ITMY	--	1
3	D0900344	AdvLIGO Systems SEI Table Counterweight Assy	--	1
2	D0900444	AdvLIGO SEI BSC1-L1, XYZ Local CS for ISI Table	--	1
NOT SHOWN	D0900443	AdvLIGO VE BSC1-L1, Vacuum Equipment Assembly	--	1

PART NAME				
BSC1-L1 Top Level Chamber Assembly, Fully Defined				
DESIGNER	ED CHAVEZ	DATE	23 NOV 2009	REV.
DRAFTER		SIZE	D	v3
CHECKER		DWG. NO.	D0900442	
APPROVAL		SCALE: 1:32	PROJECTION:	SHEET 2 OF 5

D0900442 BSC1-L1 Top Level Chamber Assembly, Complicated II.PART PDM REV: X-01.6, DRAWING PDM REV: X-000

REV.	DATE	DCN #	DRAWING TREE #



BOTTOM VIEW

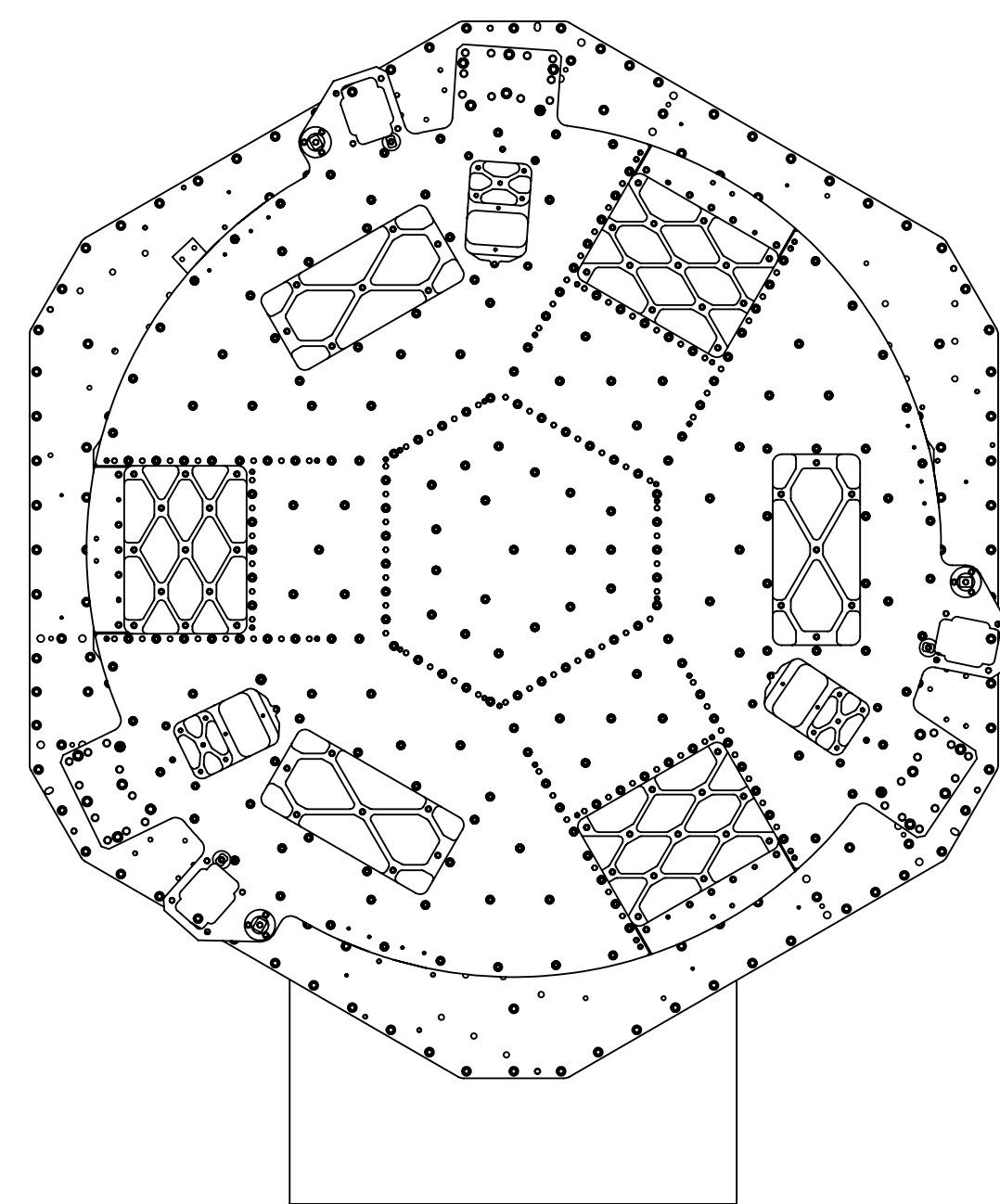
NOTES AND TOLERANCES: (UNLESS OTHERWISE SPECIFIED)	
DIMENSIONS ARE IN	
TOLERANCES:	
.XX ±	
.XXX ±	
ANGULAR ± °	
MATERIAL	--
FINISH	-- μinch

CALIFORNIA INSTITUTE OF TECHNOLOGY MASSACHUSETTS INSTITUTE OF TECHNOLOGY	
SYSTEM	SUB-SYSTEM
ADVANCED LIGO	SUS
NEXT ASSY	

PART NAME			
BSC1-L1 Top Level Chamber Assembly, Fully Defined			
DESIGNER	DATE	SIZE	DWG. NO.
DRAFTER	22 NOV 2009	D	D0900442
CHECKER			
APPROVAL		SCALE: 1:2	PROJECTION:
			SHEET 3 OF 5

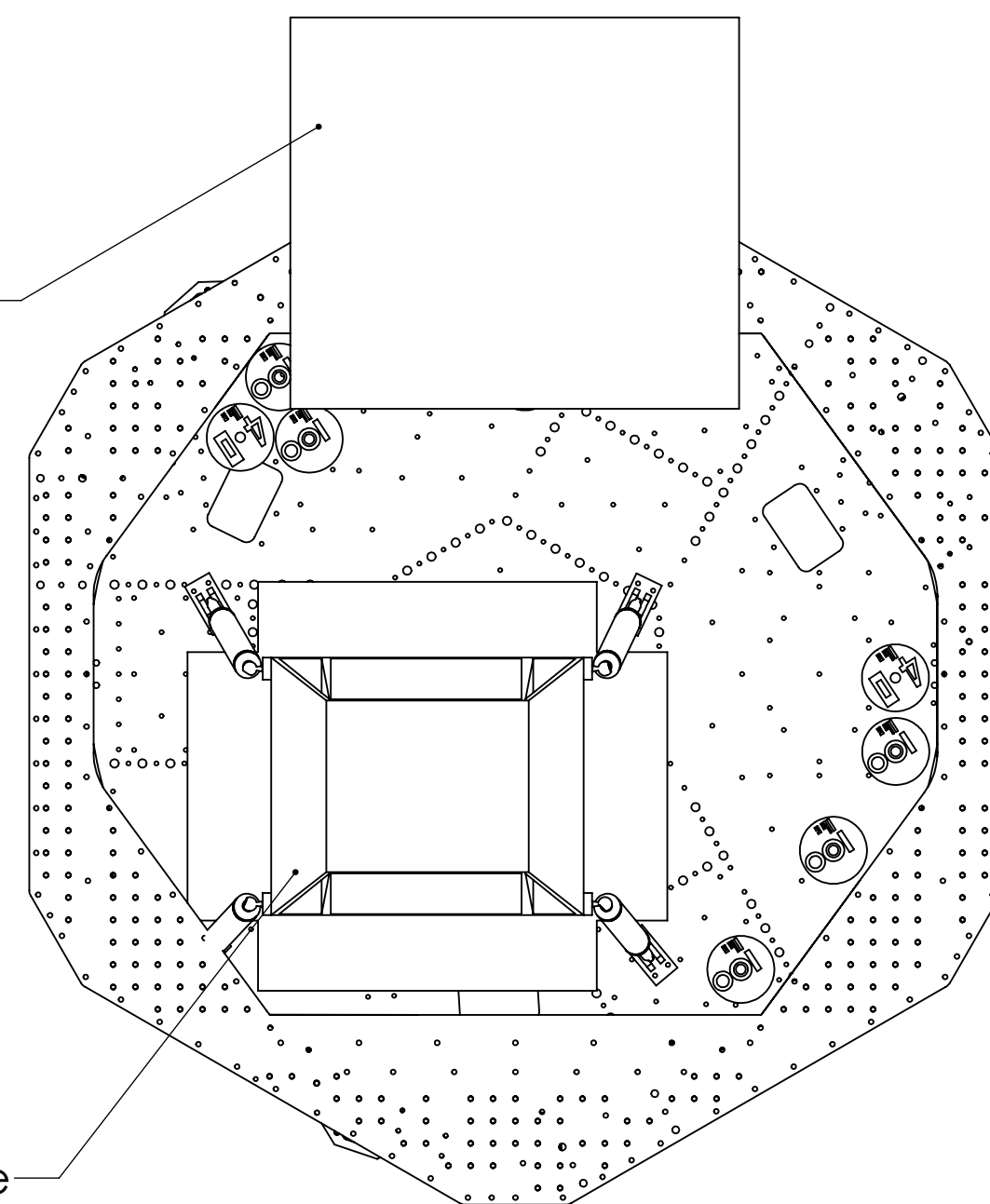
D0900442 BSC1-L1 Top Level Chamber Assembly, Complicated III, PART PDM REV: X-016, DRAWING PDM REV:

REV.	DATE	DCN #	DRAWING TREE #
-	-	-	-
-	-	-	-
-	-	-	-

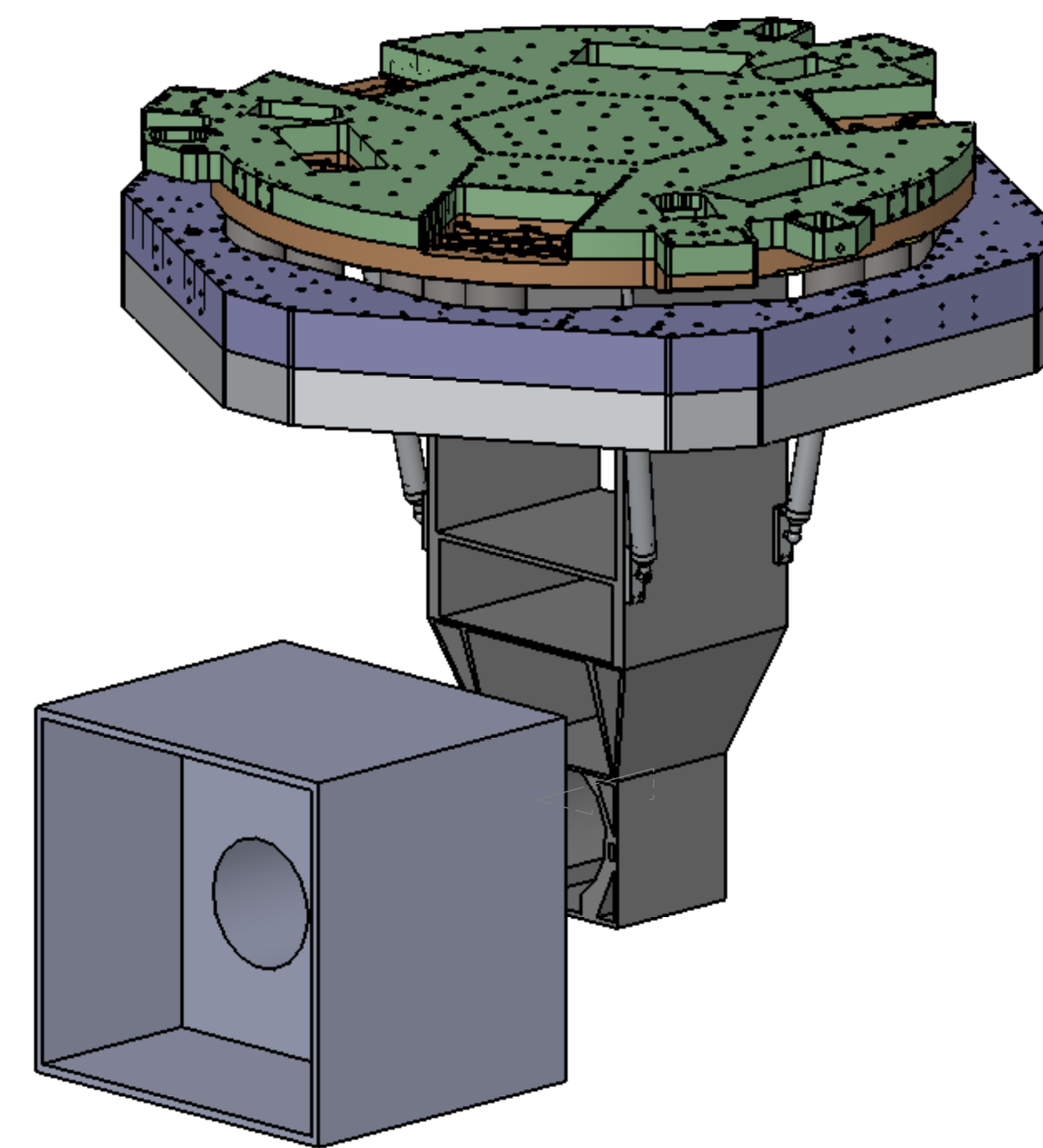


TOP VIEW

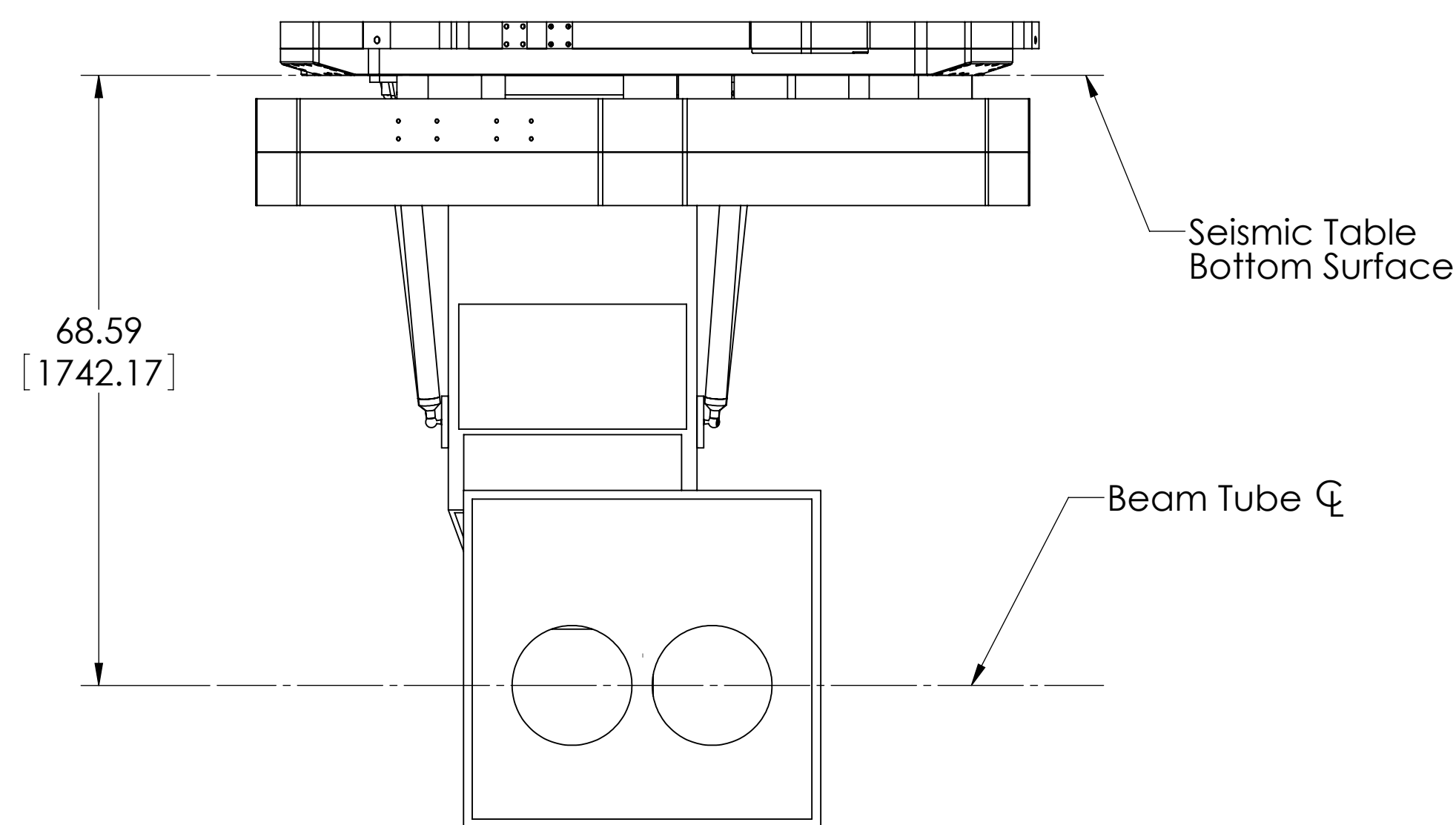
Arm Cavity and Wide Angle Baffle



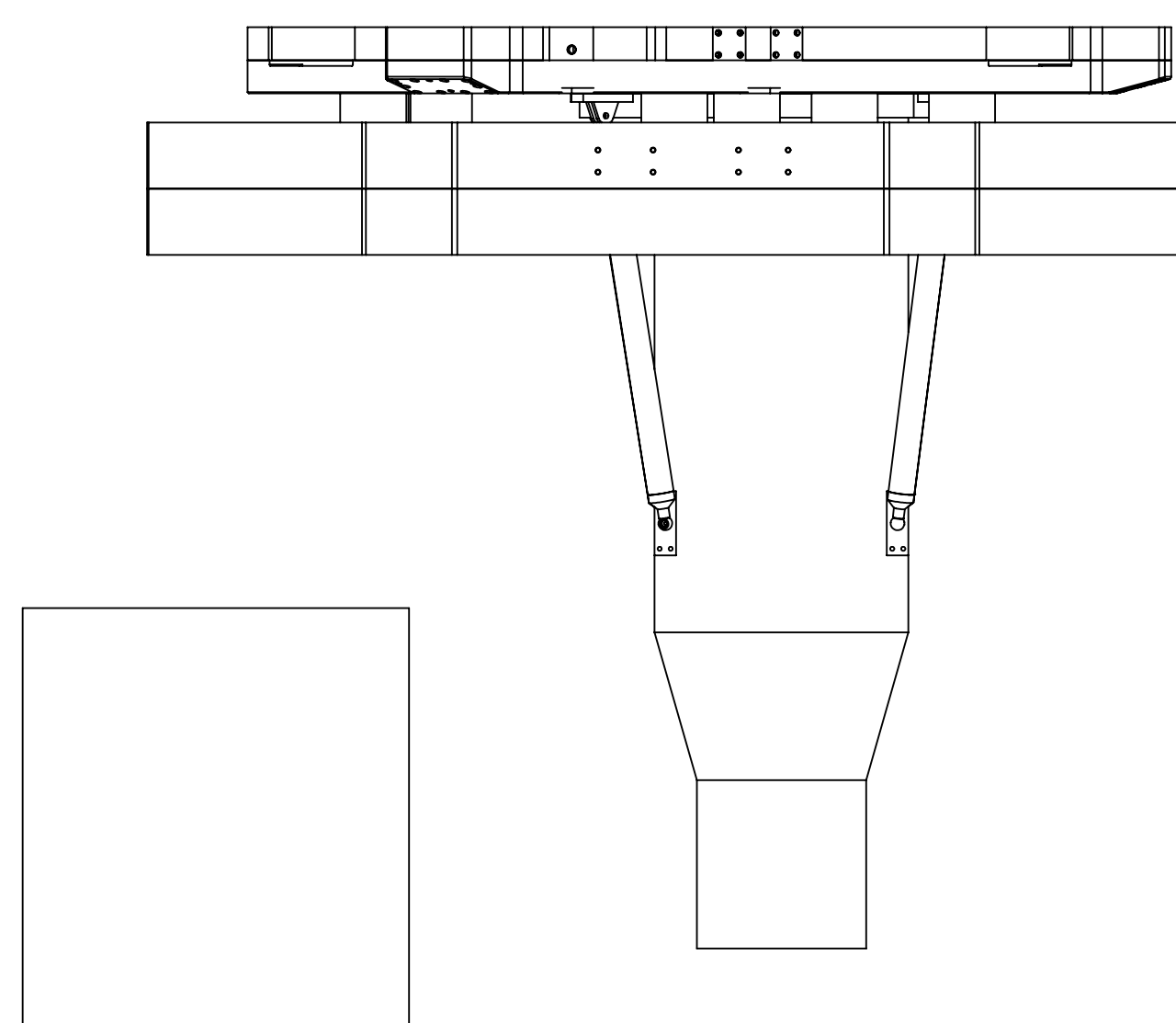
BOTTOM VIEW



NO SUSPENDED MASS & NO CHAMBER SHOWN



FRONT VIEW



RIGHT SIDE VIEW

BSC1-L1	
CofG COORDINATES (mm)	
X	93.6
Y	-120.5
Z	1416.1
TABLE MASS W/NO SUS-MASS TOTAL	542.60

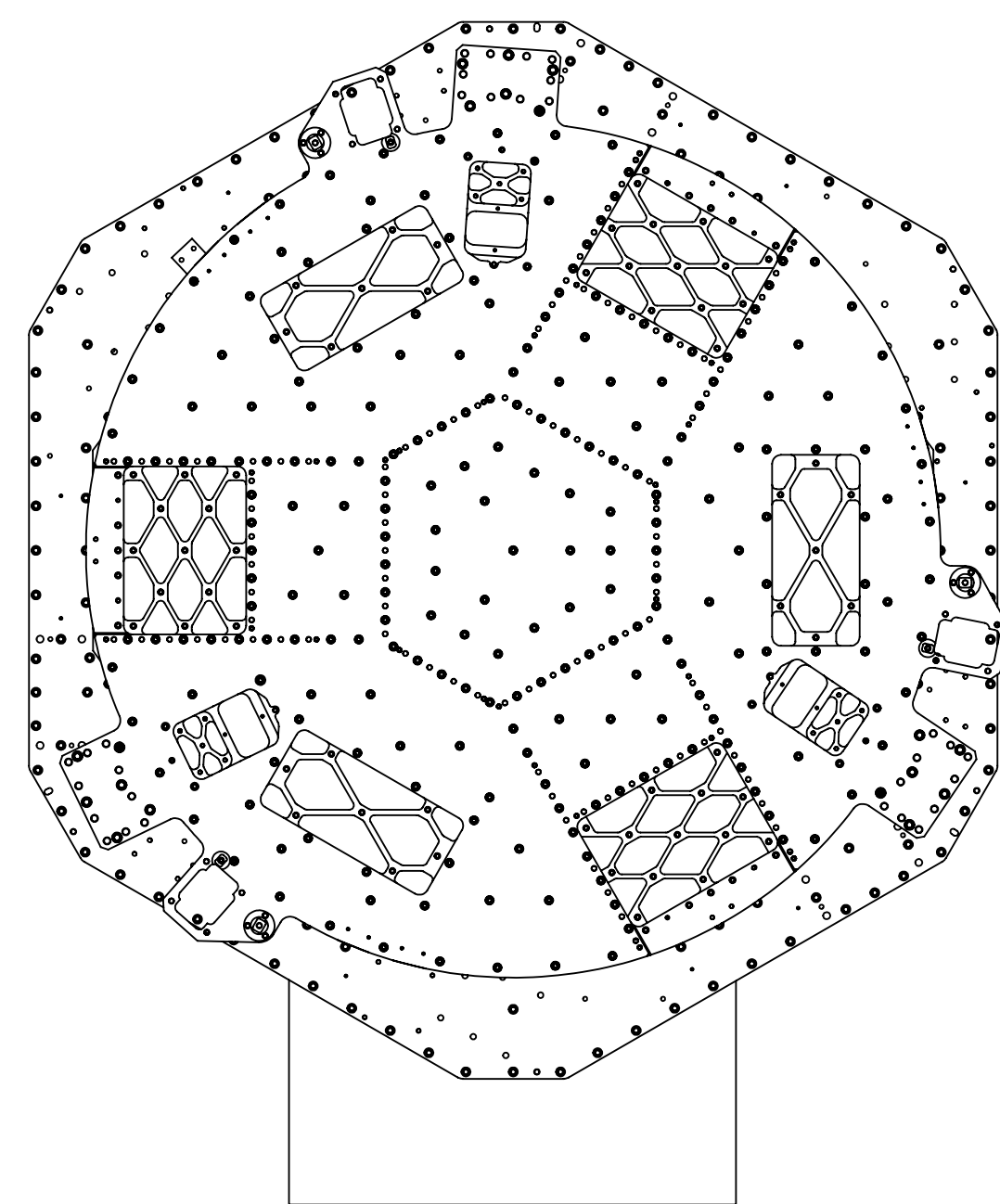
NOTES AND TOLERANCES: (UNLESS OTHERWISE SPECIFIED)	
DIMENSIONS ARE IN INCHES	
TOLERANCES: .XX ± 0.01 .XXX ± 0.005	
ANGULAR ± 0.5°	
MATERIAL	FINISH
--	-- μinch

LIGO CALIFORNIA INSTITUTE OF TECHNOLOGY MASSACHUSETTS INSTITUTE OF TECHNOLOGY	
SYSTEM	SUB-SYSTEM
ADVANCED LIGO	SUS
NEXT ASSY	

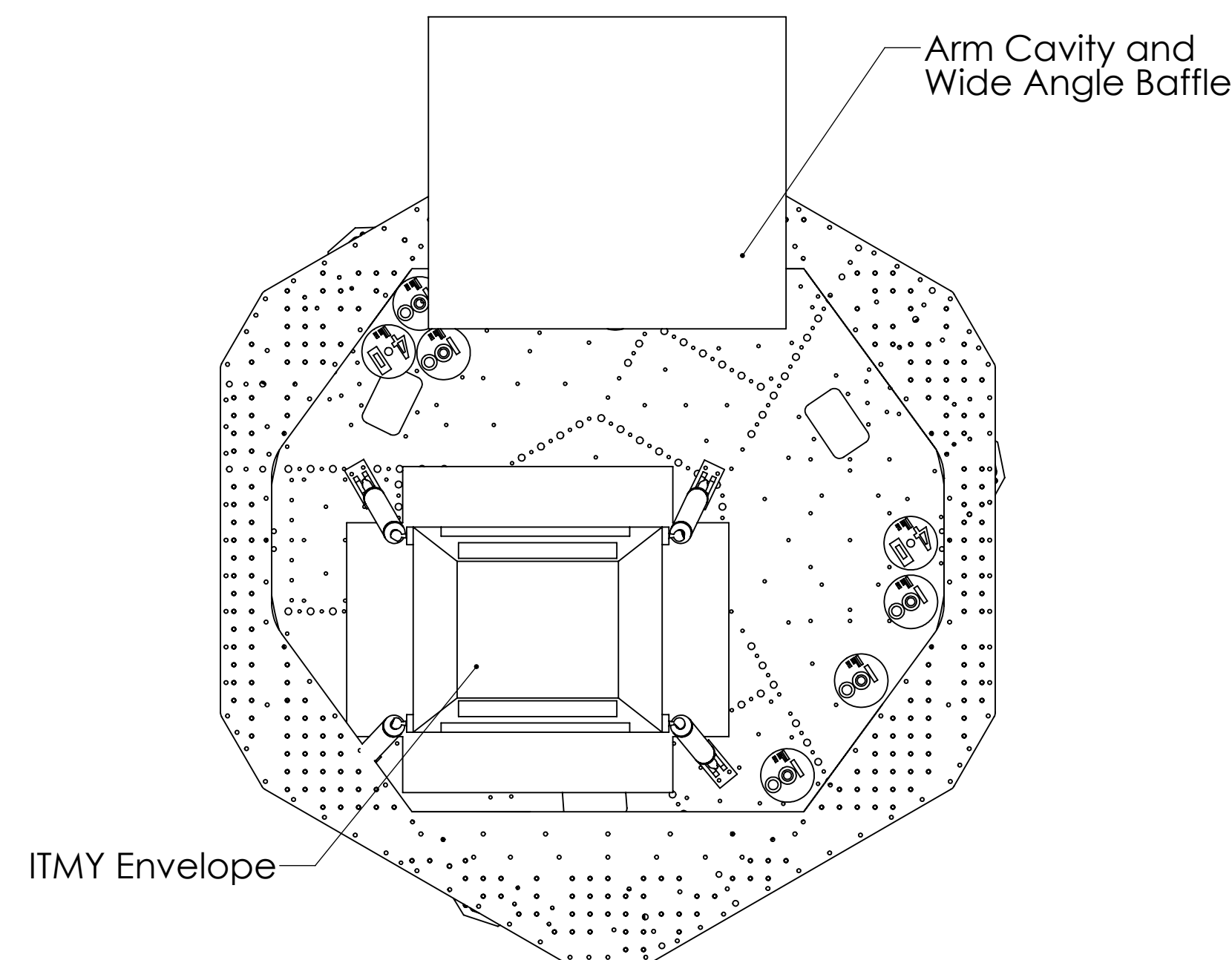
PART NAME			
BSC1-H1 Top Level Chamber Assembly, Simplified			
DESIGNER	SIZE	DWG. NO.	REV.
DRAFTER	ED CHAVEZ	23 NOV 2009	D
CHECKER			D0900442
APPROVAL			v3
SCALE: 1:24		PROJECTION:	SHEET 4 OF 5

D0900442 BSC1-L1 Top Level Chamber Assembly, Simplified - PART PDM REV: X-01.6 DRAWING PDM REV: X-000

REV.	DATE	DCN #	DRAWING TREE #
-	-	-	-
-	-	-	-
-	-	-	-



TOP VIEW



BOTTOM VIEW

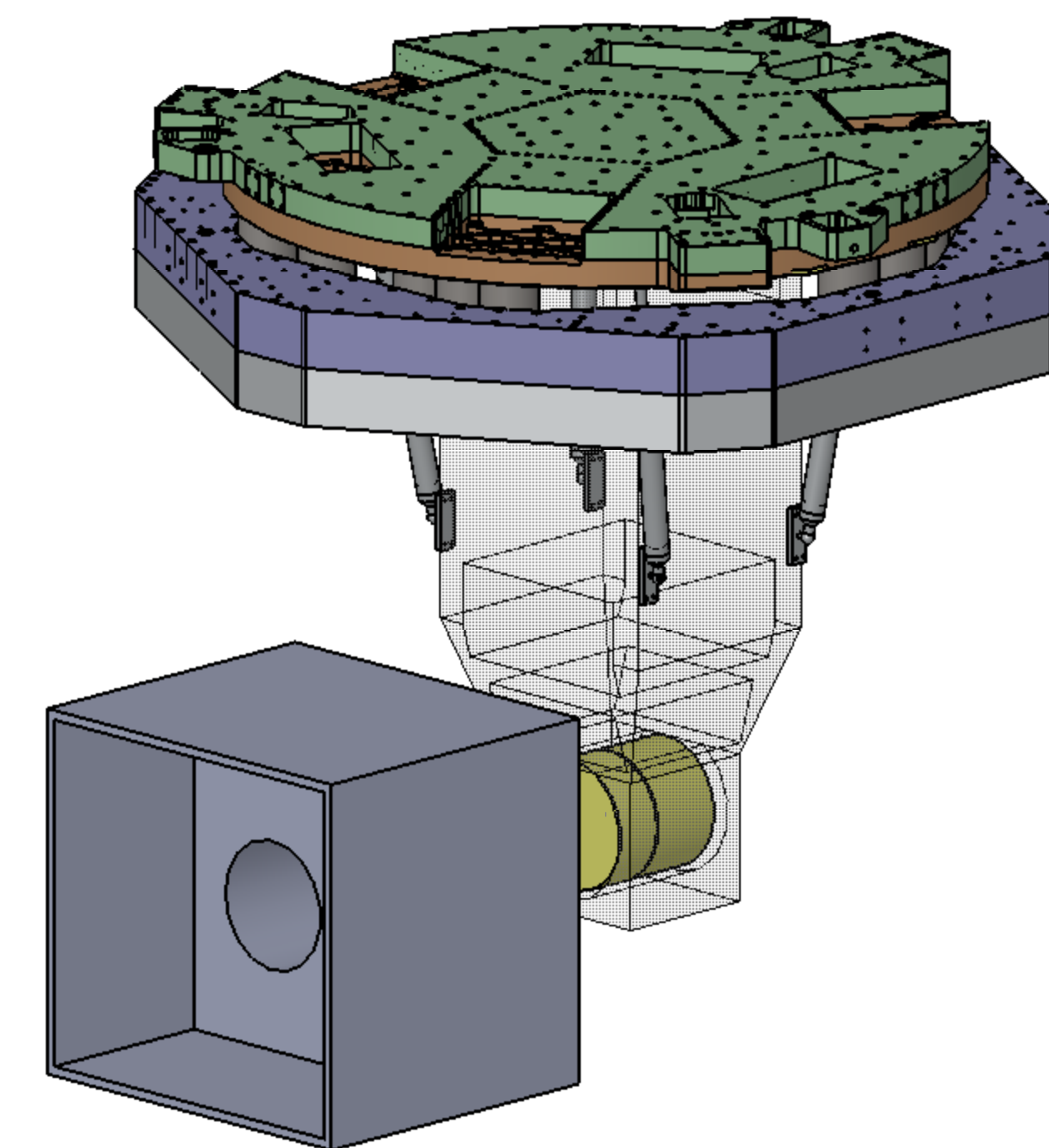
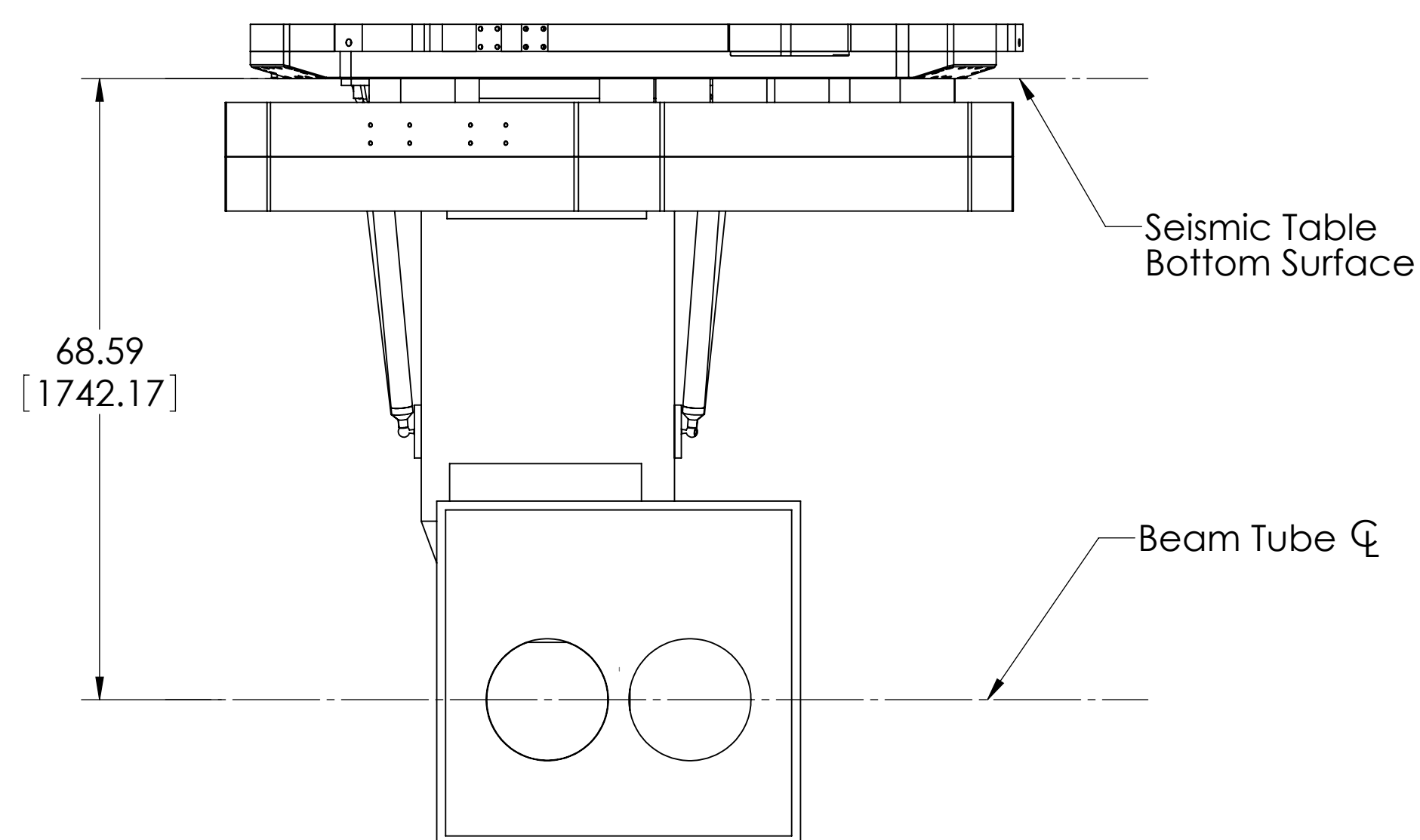
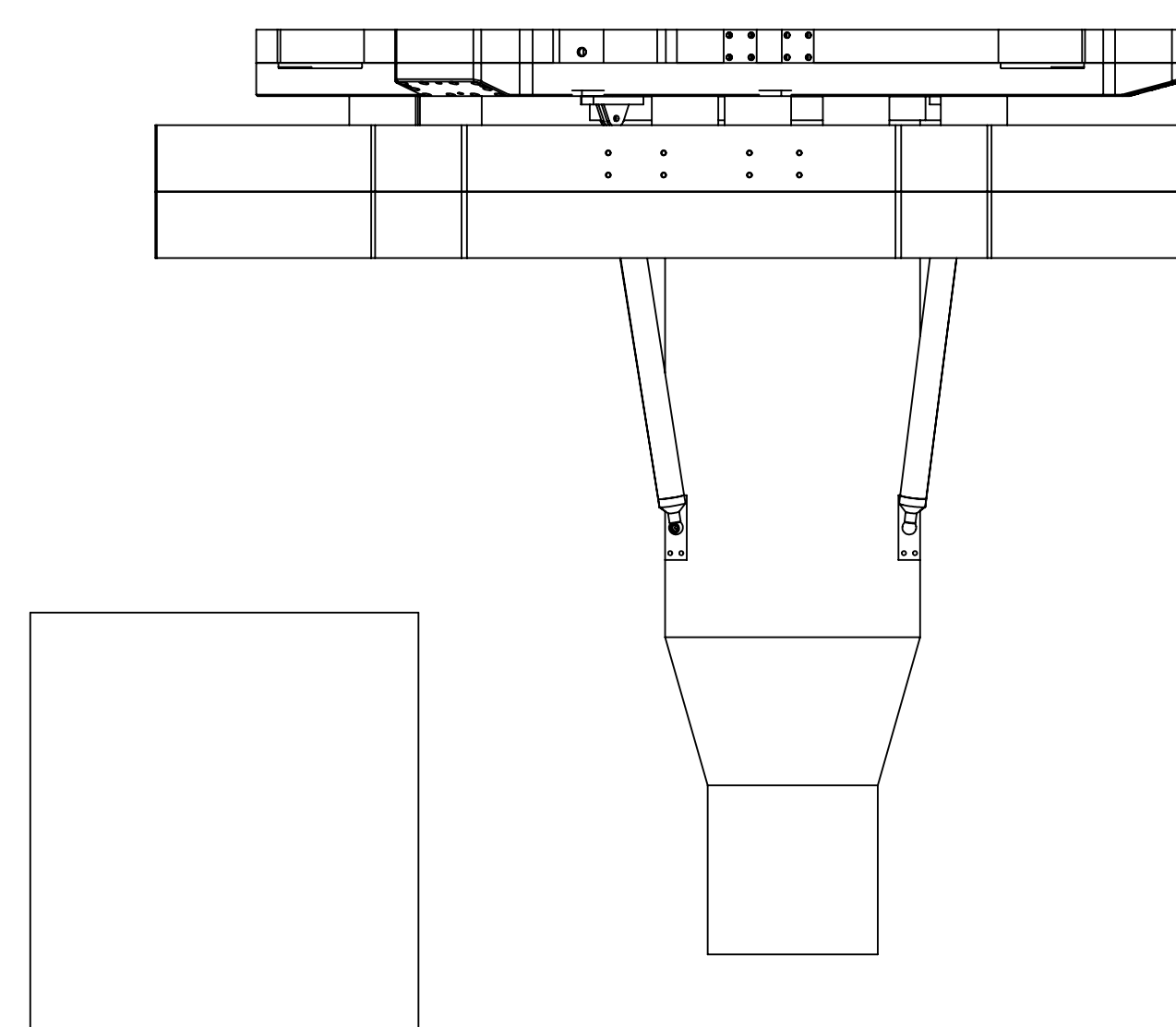


TABLE MASS TOTAL & NO CHAMBER SHOWN



FRONT VIEW



RIGHT SIDE VIEW

BSC1-L1	
CofG COORDINATES (mm)	
X	0.33
Y	0.72
Z	1130.15
TABLE MASS TOTAL	796.97

NOTES AND TOLERANCES: (UNLESS OTHERWISE SPECIFIED)	
DIMENSIONS ARE IN INCHES	
TOLERANCES: .XX ± 0.01 .XXX ± 0.005	
ANGULAR ± 0.5°	
MATERIAL	FINISH
--	-- μinch

LIGO CALIFORNIA INSTITUTE OF TECHNOLOGY MASSACHUSETTS INSTITUTE OF TECHNOLOGY	
SYSTEM	SUB-SYSTEM
ADVANCED LIGO	SUS
NEXT ASSY	

PART NAME		DESIGNER	SIZE	DWG. NO.	REV.
		ED CHAVEZ	D	D0900442	v3
CHECKER	APPROVAL	23 NOV 2009	SCALE: 1:24	PROJECTION:	SHEET 5 OF 5