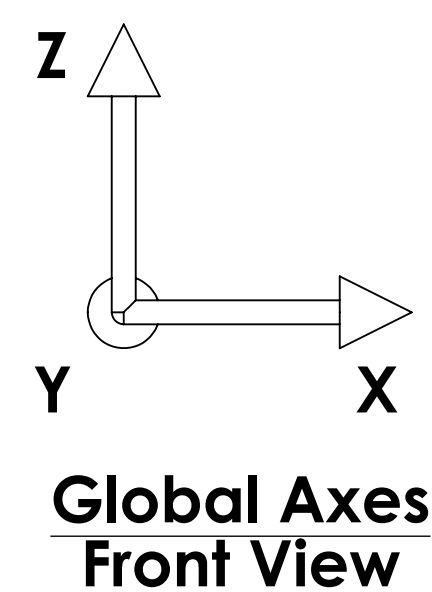
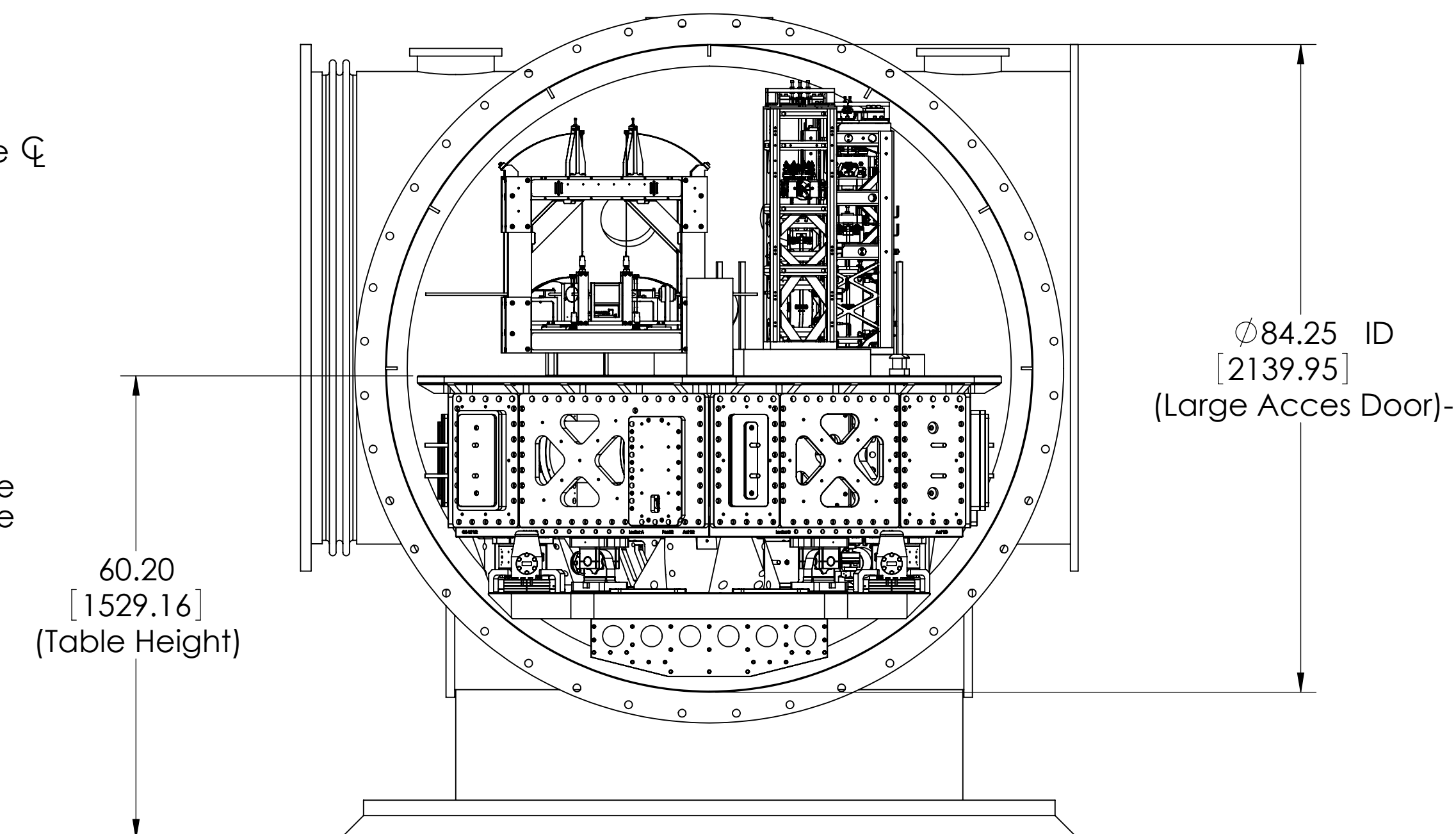
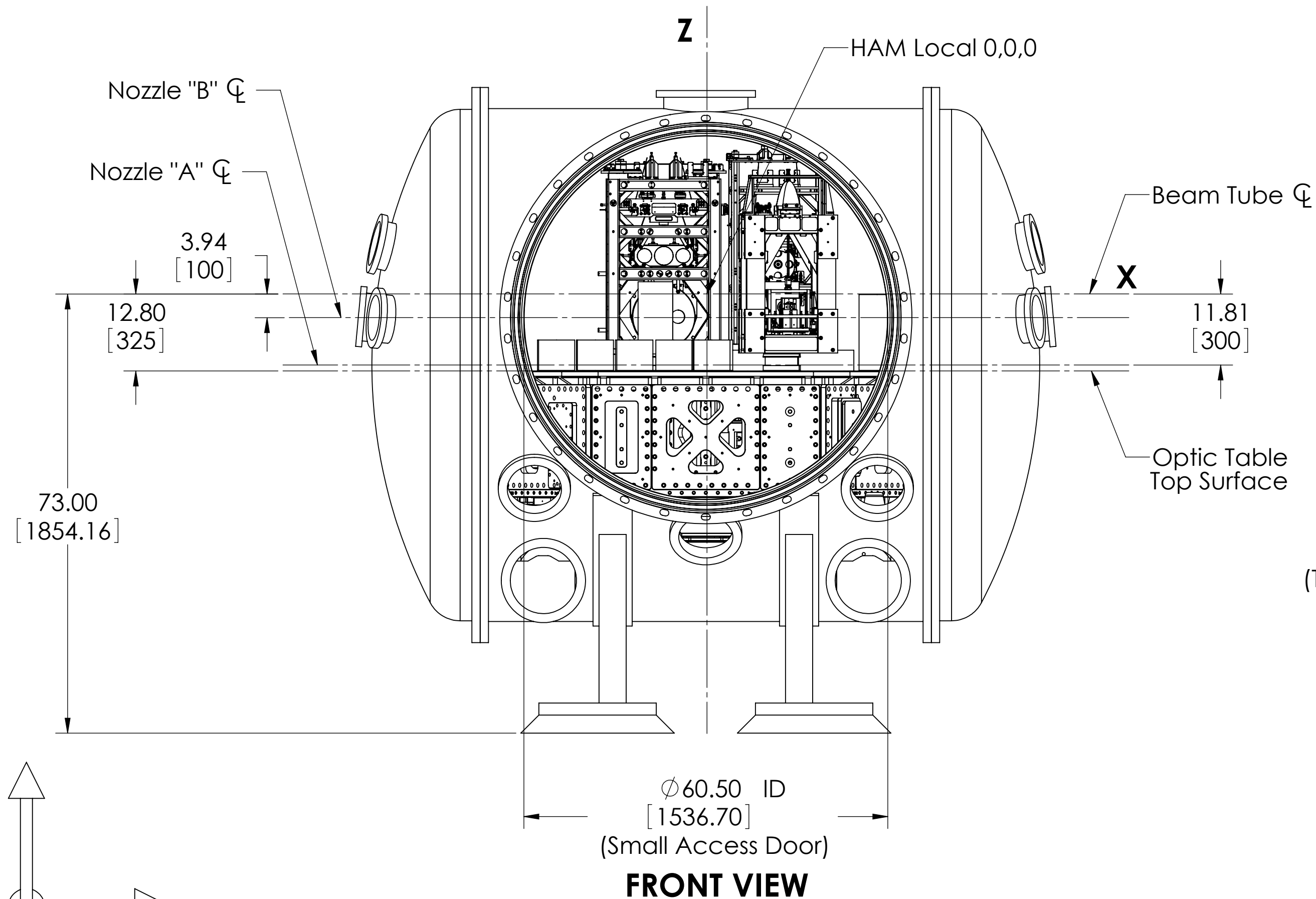
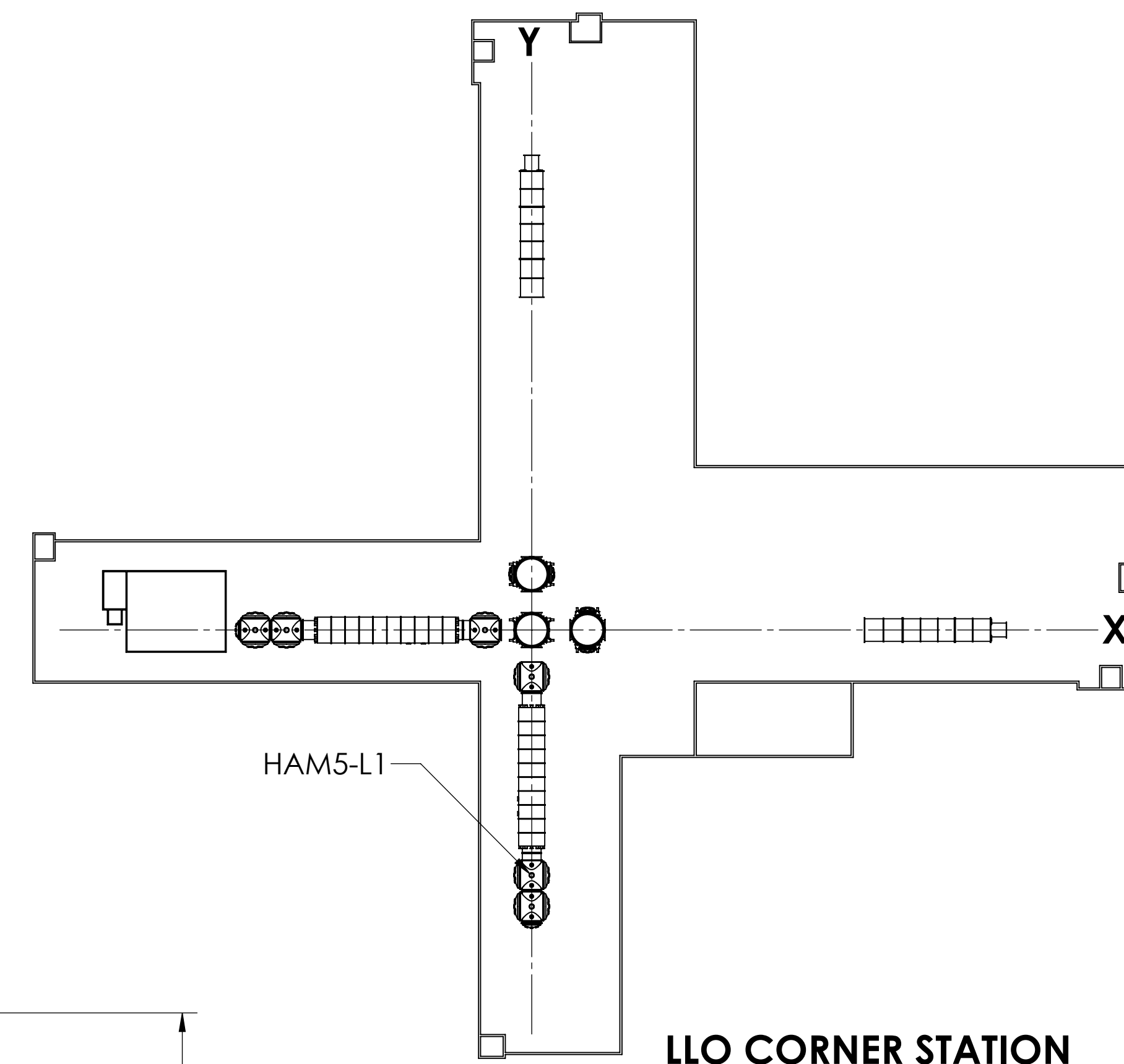
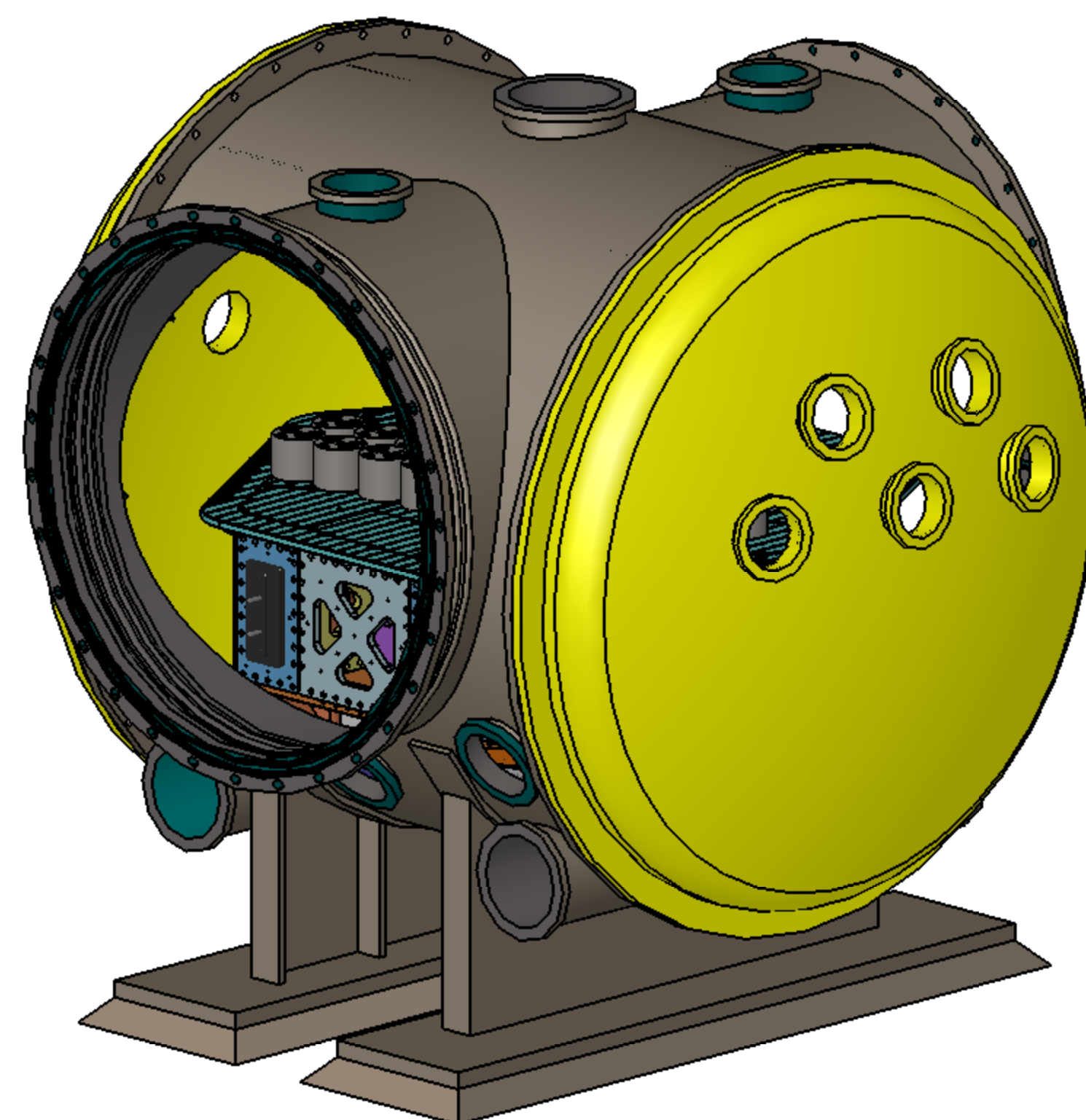
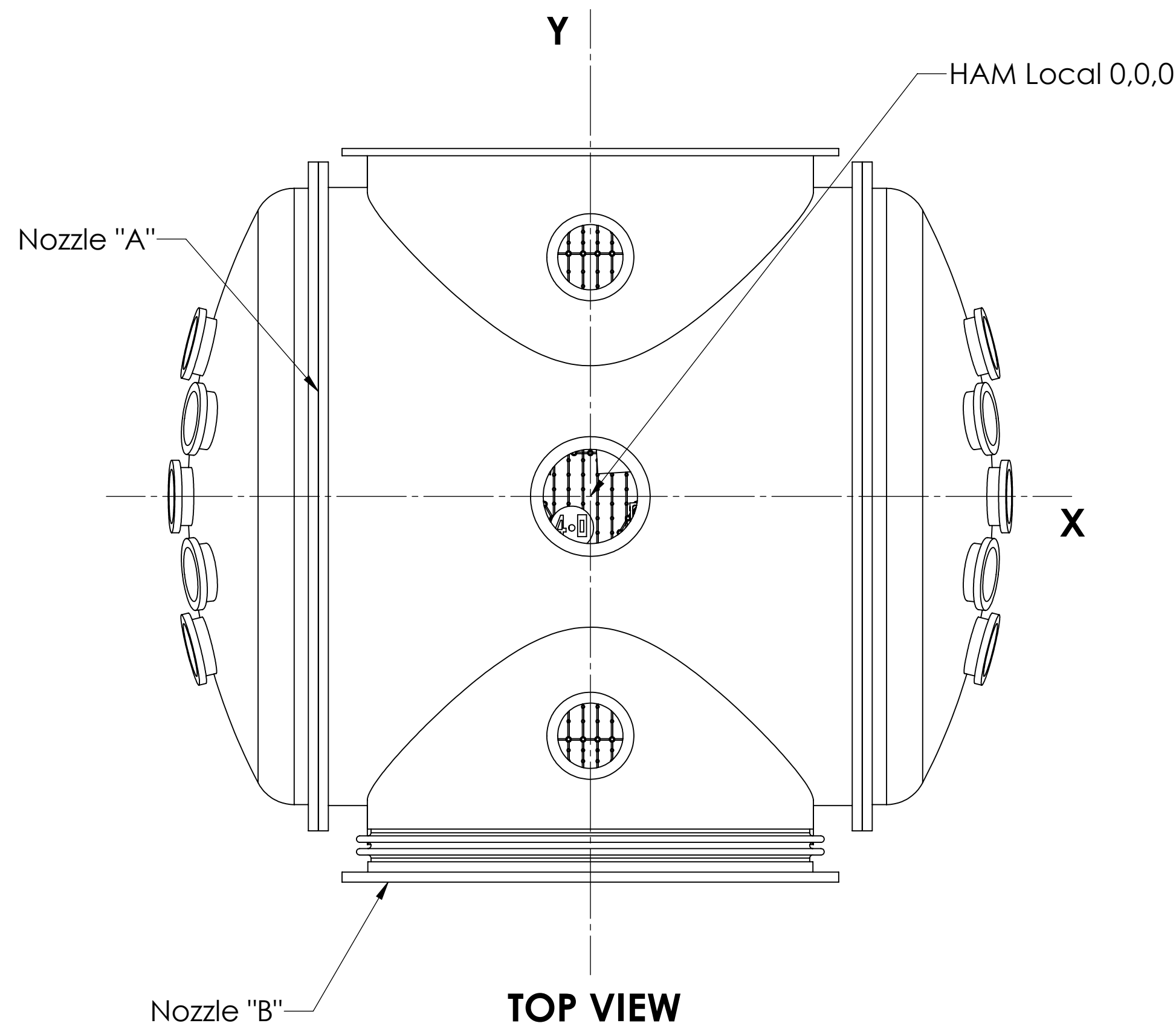


REV.	DATE	DCN #	DRAWING TREE #
-	-	-	-
-	-	-	-
-	-	-	-



HAM5-L1	
GLOBAL COORDINATES (mm)	
X	0.0
Y	-20122.0
Z	0.0

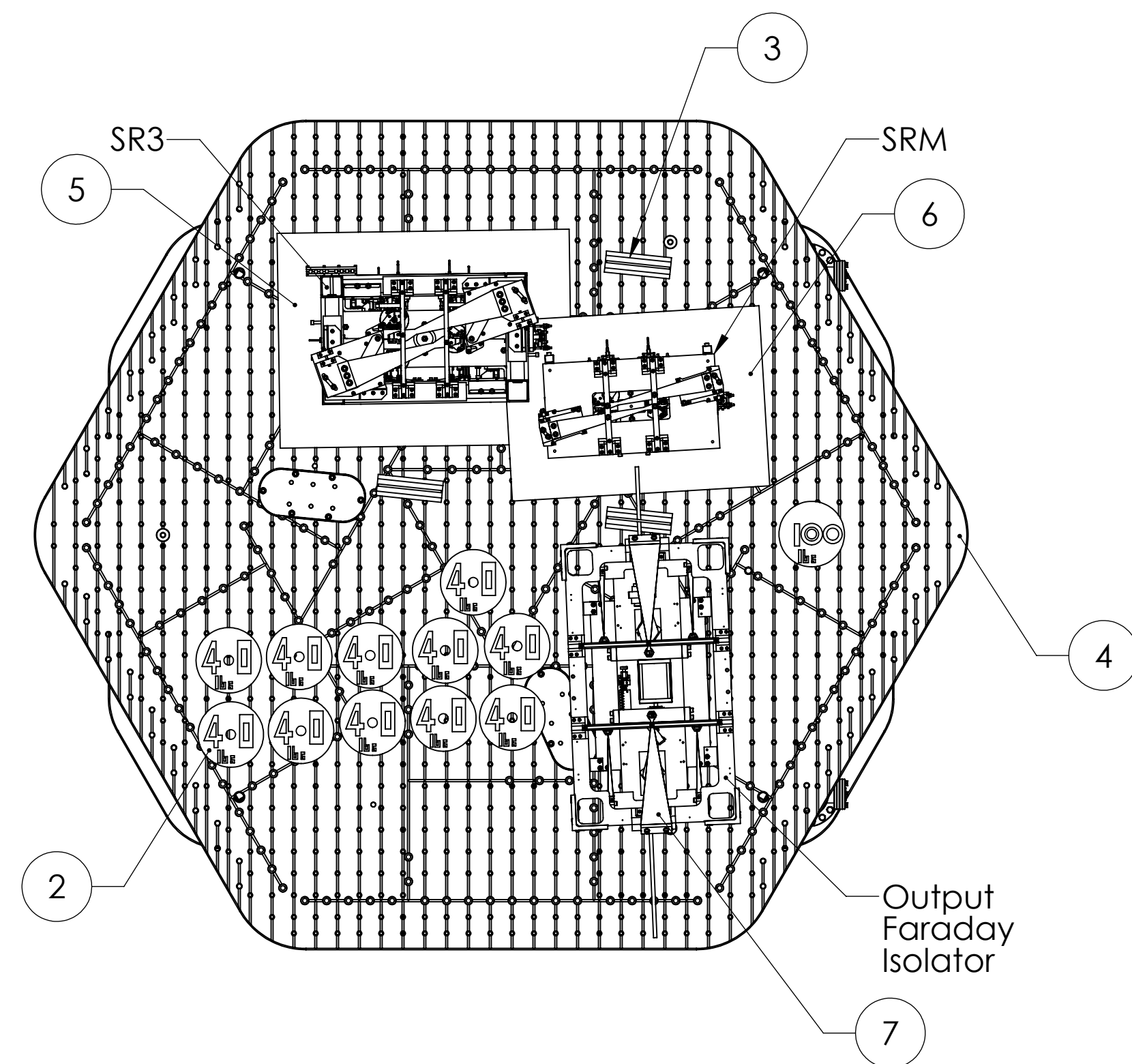
NOTES AND TOLERANCES: (UNLESS OTHERWISE SPECIFIED)	
DIMENSIONS ARE IN INCHES	
TOLERANCES: .XX ± 0.01 .XXX ± 0.005	
ANGULAR ± 0.5°	
MATERIAL	FINISH
--	-- μinch

LIGO CALIFORNIA INSTITUTE OF TECHNOLOGY	
SYSTEM	SUB-SYSTEM
ADVANCED LIGO	SUS
NEXT ASSY	

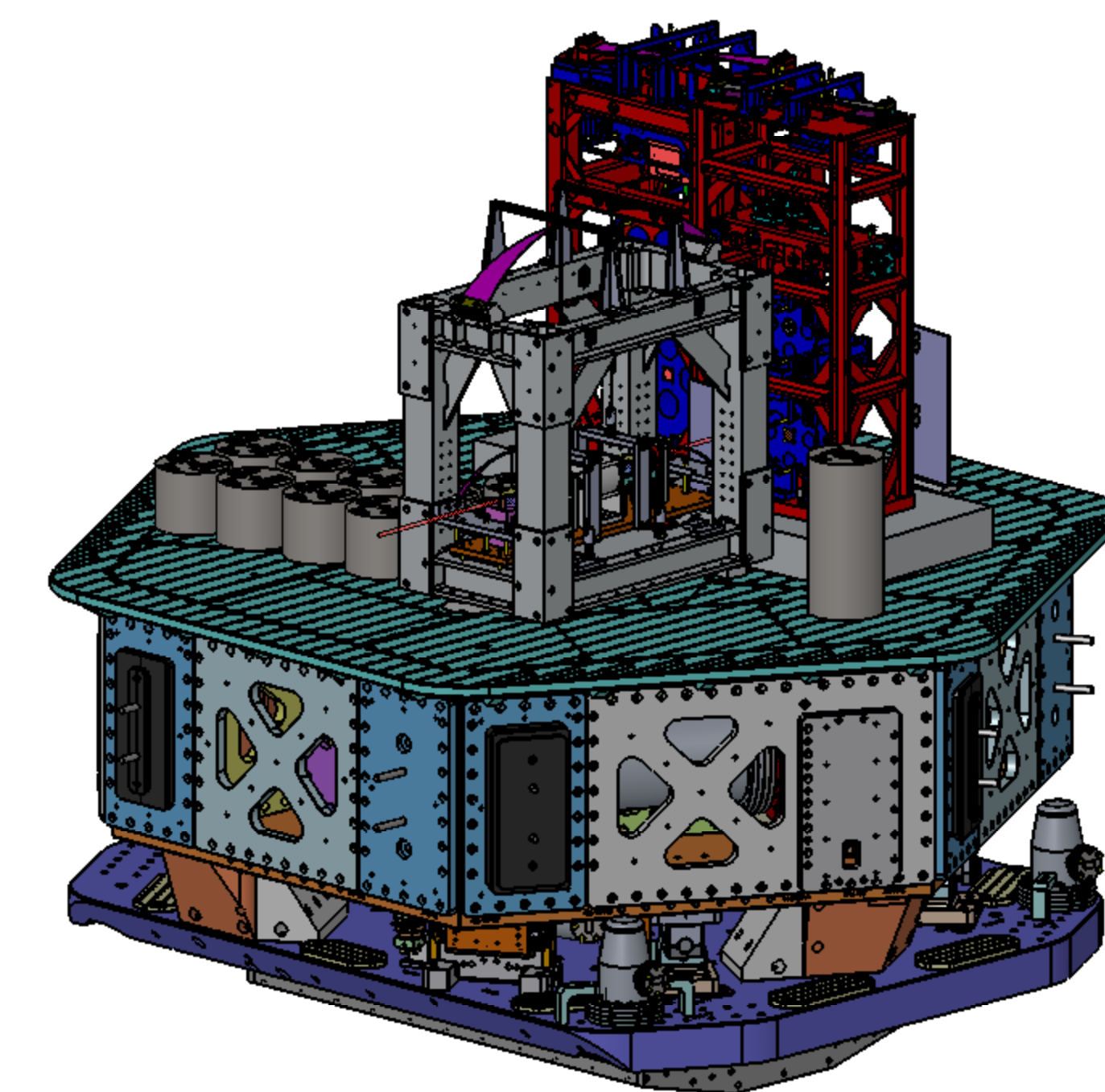
PART NAME			
HAM5-L1 Top Level Chamber Assembly, Fully Defined			
DESIGNER	SIZE	DWG. NO.	REV.
DRAFTER	ED CHAVEZ	14 DEC 2009	D
CHECKER			D0900456
APPROVAL			v3
SCALE: 1:24		PROJECTION:	SHEET 1 OF 5

D:\D0900456-HAM5-L1 Top Level Chamber Assembly, Complicated L1 PART PDM REV: X-0,0,0, DRAWING PDM REV: X-000

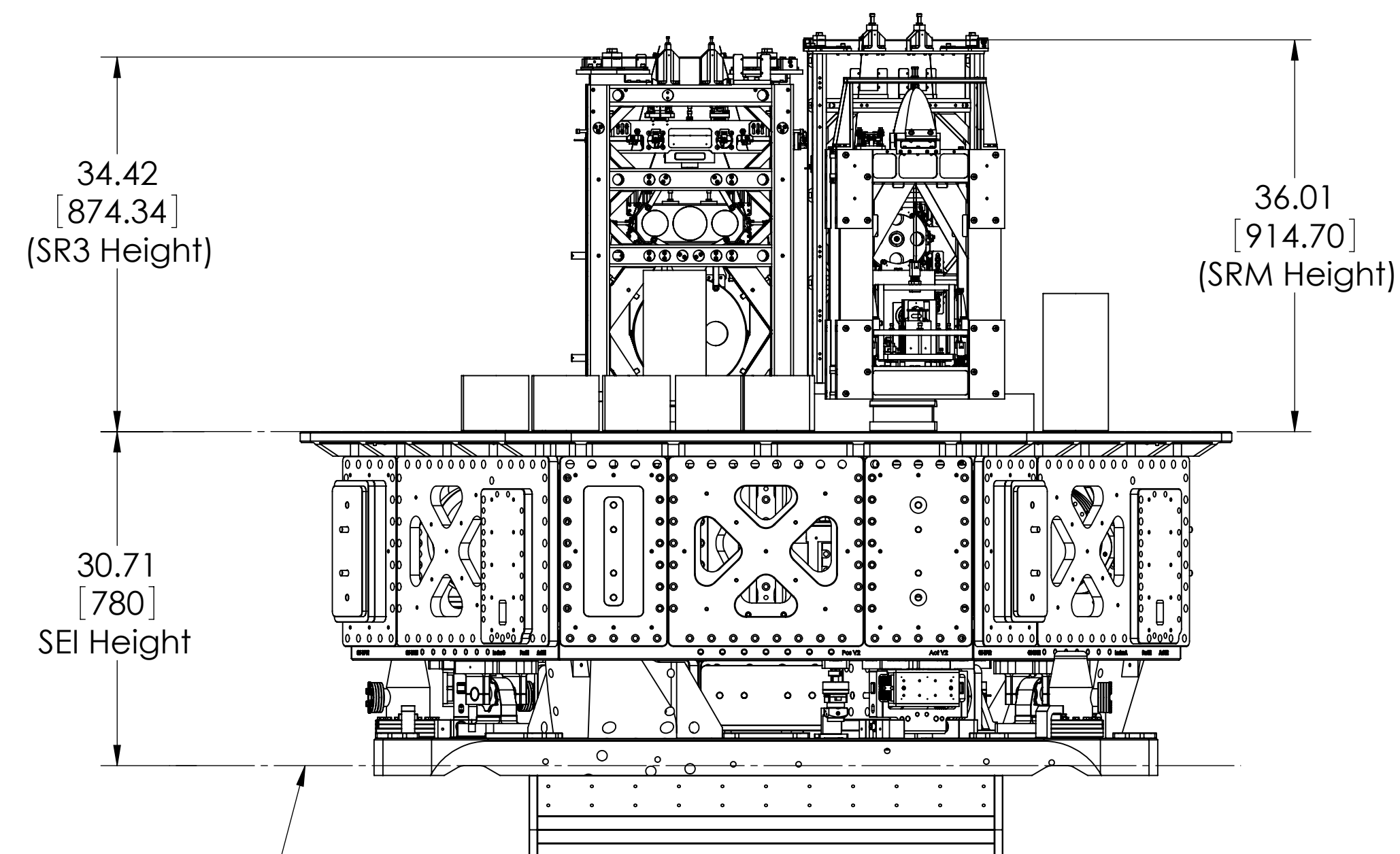
REV.	DATE	DCN #	DRAWING TREE #
-	-	-	-
-	-	-	-
-	-	-	-



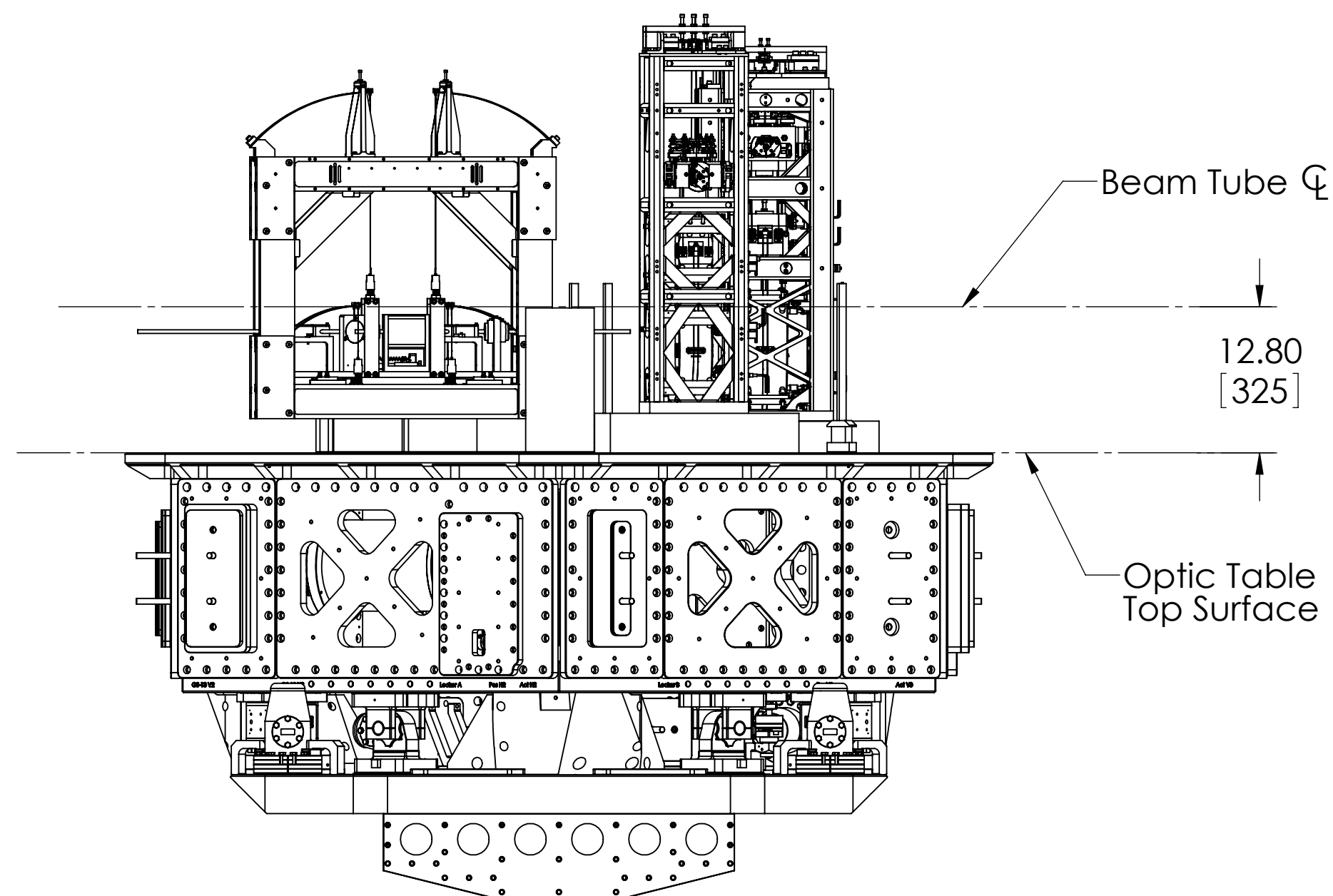
TOP VIEW



**ISO VIEW
(NO CHAMBER SHOWN)**



FRONT VIEW



RIGHT SIDE VIEW

ITEM NO.	PART NUMBER	DESCRIPTION	MATERIAL	Full/QTY.
7	D0900527	AdvLIGO SUS HAM5-L1, XYZ Local CS for AOS FI	--	1
6	D0900463	AdvLIGO SUS HAM5-L1, XYZ Local CS for HSTS (SRM)	--	1
5	D0900461	AdvLIGO SUS HAM5-L1, XYZ Local CS for HLTS (SR3)	--	1
4	D0900459	AdvLIGO SEI HAM5-L1, XYZ Local CS for Iso Table	--	1
3	D0900343	AdvLIGO Systems SEI Table AOS Table Baffle Assy	--	1
2	D0900341	AdvLIGO Systems SEI Table Counterweight Assembly	--	1
NOT SHOWN	D0900457	AdvLIGO VE HAM5-L1, Vacuum Equipment Assembly	--	1

HAM5-L1 GLOBAL COORDINATES (mm)	
X	0.0
Y	29342.0
Z	0.0

DIMENSIONS ARE IN INCHES
TOLERANCES:
.XX ± 0.01
.XXX ± 0.005
ANGULAR ± 0.5°

NOTES AND TOLERANCES: (UNLESS OTHERWISE SPECIFIED)

MATERIAL	--	FINISH	-- μinch
----------	----	--------	----------

LIGO CALIFORNIA INSTITUTE OF TECHNOLOGY
MASSACHUSETTS INSTITUTE OF TECHNOLOGY

SYSTEM: **ADVANCED LIGO** SUB-SYSTEM: **SUS**

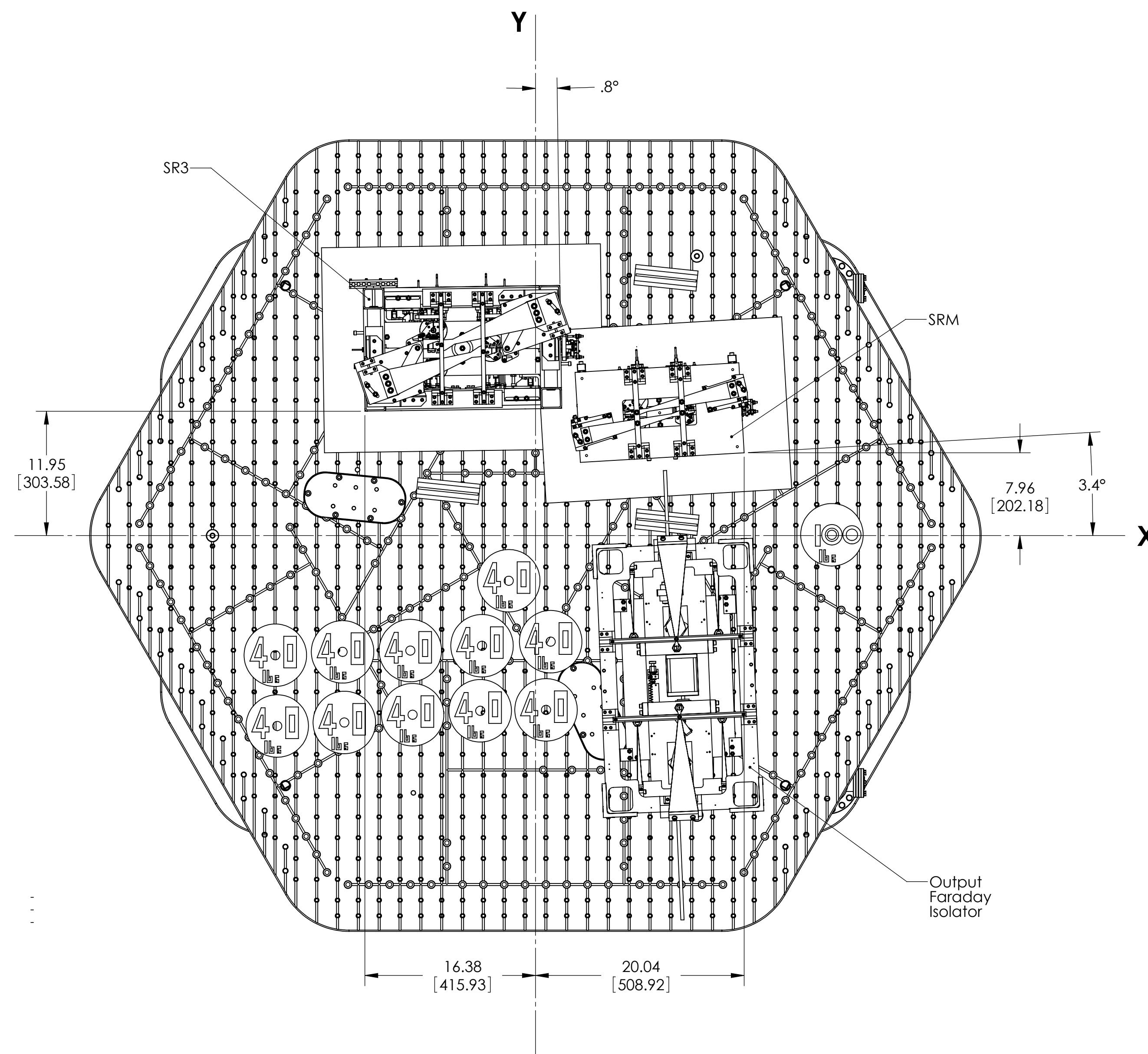
NEXT ASSY

PART NAME: **HAM5-L1 Top Level Chamber Assembly, Fully Defined**

DESIGNER	ED CHAVEZ	DATE	14 DEC 2009	SIZE	DWG. NO.	REV.
CHECKER				D	D0900456	v3
APPROVAL				SCALE: 1:24	PROJECTION:	SHEET 2 OF 5

D0900456-HAM5-L1 Top Level Chamber Assembly, Complicated II, PART PDM REV: X.010, DRAWING PDM REV: X.000

REV.	DATE	DCN #	DRAWING TREE #



TOP VIEW

NOTES AND TOLERANCES: (UNLESS OTHERWISE SPECIFIED)	
DIMENSIONS ARE IN	
TOLERANCES:	
.XX ±	
.XXX ±	
ANGULAR ± °	
MATERIAL	--
FINISH	-- μinch

CALIFORNIA INSTITUTE OF TECHNOLOGY MASSACHUSETTS INSTITUTE OF TECHNOLOGY	
SYSTEM	SUB-SYSTEM
ADVANCED LIGO	SUS
NEXT ASSY	

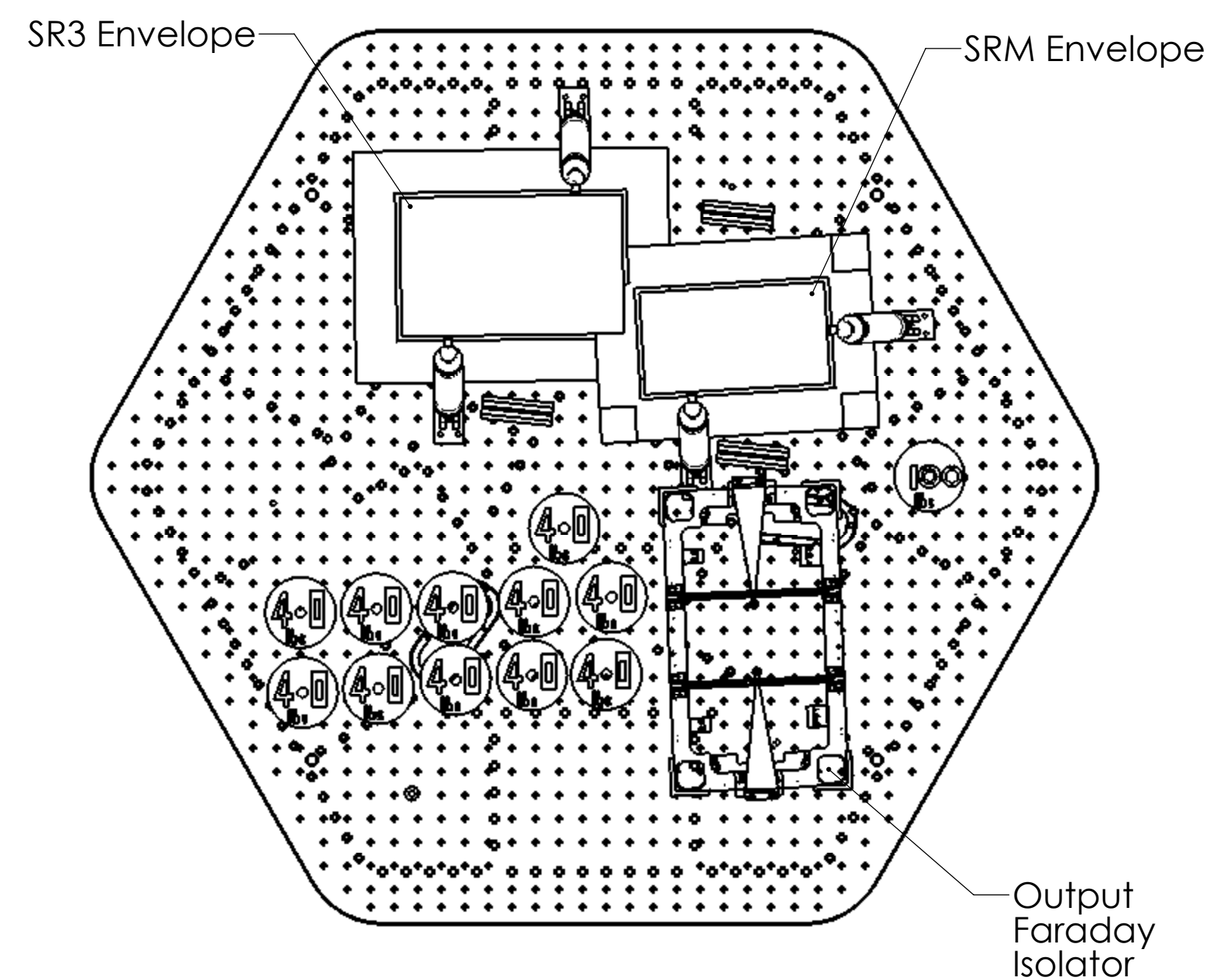
PART NAME			
HAM5-L1 Top Level Chamber Assembly, Fully Defined			
DESIGNER	DATE	SIZE	DWG. NO.
DRAFTER	ED CHAVEZ	15 DEC 2009	D
CHECKER			
APPROVAL			
SCALE: 1:2		PROJECTION:	SHEET 3 OF 5

D0900456

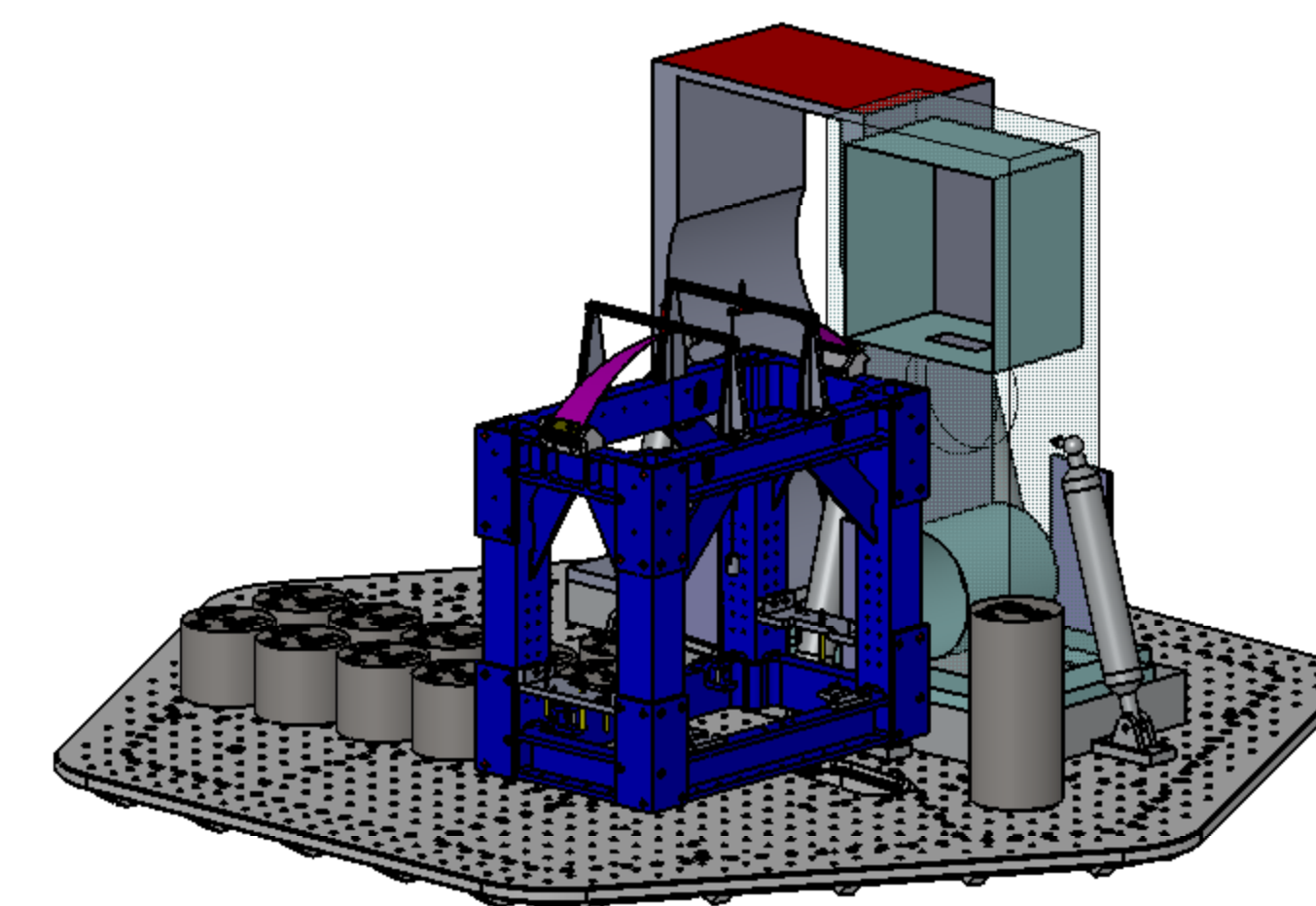
REV. v3

D:\D0900456-HAM5-L1 Top Level Chamber Assembly, Complicated III, PART PDM REV. X-010, DRAWING PDM REV.

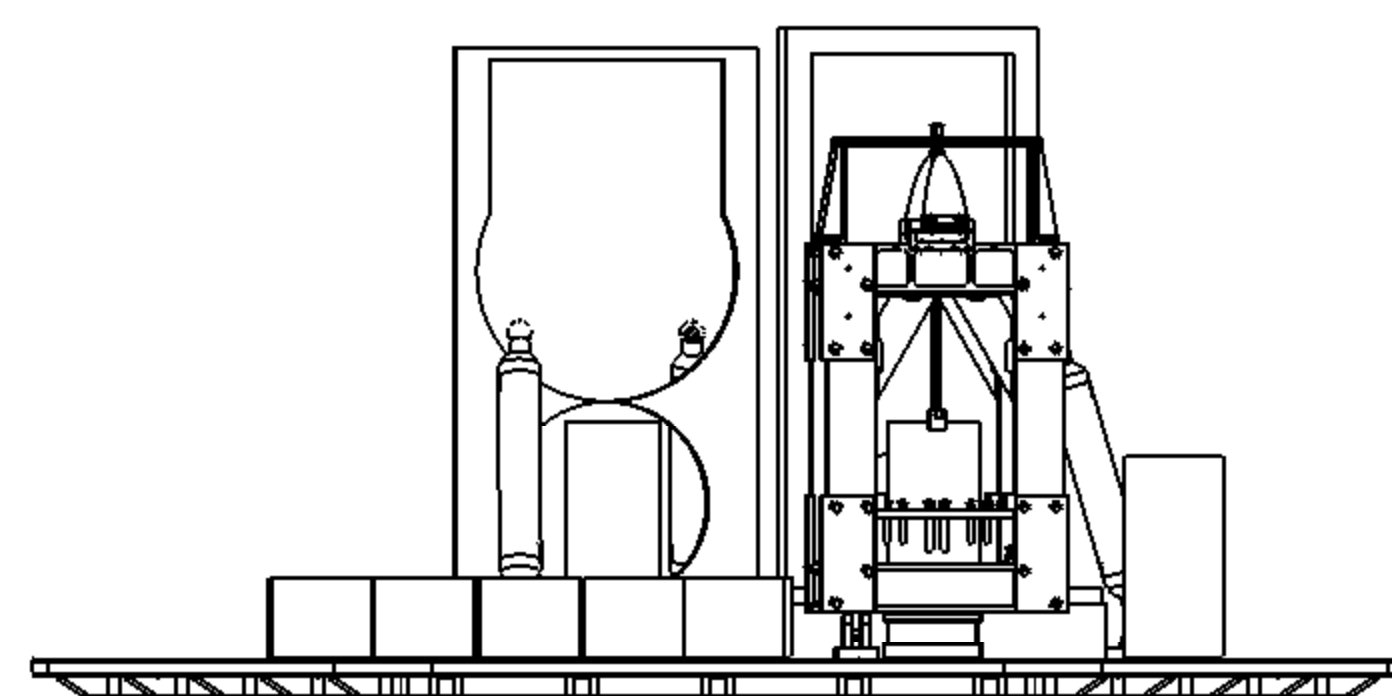
REV.	DATE	DCN #	DRAWING TREE #
-	-	-	-
-	-	-	-
-	-	-	-



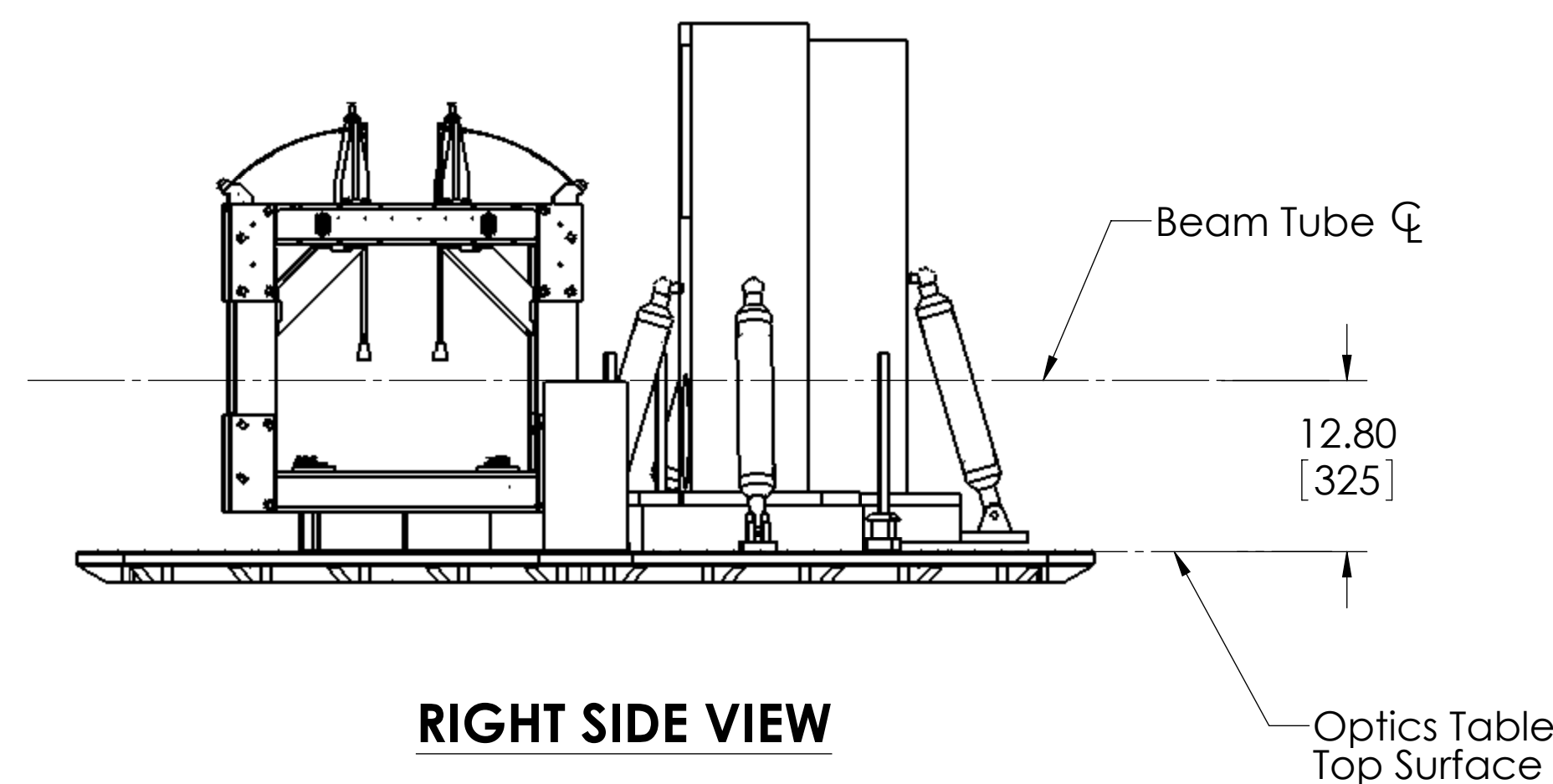
TOP VIEW



**NO SUSPENDED MASS &
NO CHAMBER SHOWN**



FRONT VIEW



RIGHT SIDE VIEW

HAM5-L1	
CofG COORDINATES (mm)	
X	-3.35
Y	-35.05
Z	-111.71
TABLE MASS W/NO SUS-MASS TOTAL	444.79

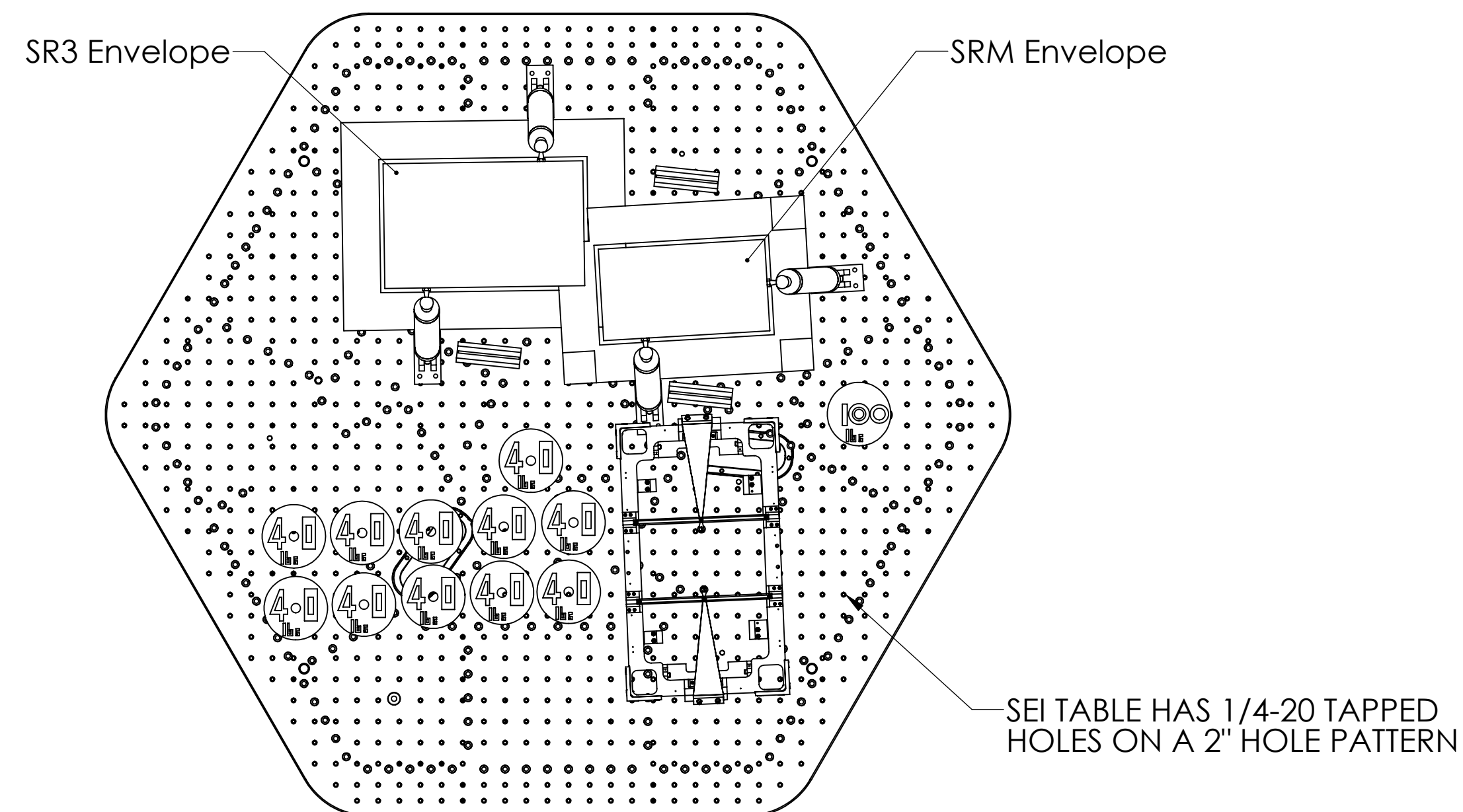
NOTES AND TOLERANCES: (UNLESS OTHERWISE SPECIFIED)	
DIMENSIONS ARE IN INCHES	
TOLERANCES: .XX ± 0.01 .XXX ± 0.005	
ANGULAR ± 0.5°	
MATERIAL	FINISH
--	-- μinch

LIGO CALIFORNIA INSTITUTE OF TECHNOLOGY MASSACHUSETTS INSTITUTE OF TECHNOLOGY	
SYSTEM	SUB-SYSTEM
ADVANCED LIGO	SUS
NEXT ASSY	

PART NAME			
HAM5-L1 Top Level Chamber Assembly, Simplified			
DESIGNER	SIZE	DWG. NO.	REV.
DRAFTER	ED CHAVEZ	15 DEC 2009	D
CHECKER			D0900456
APPROVAL			v3
SCALE: 1:12		PROJECTION:	SHEET 4 OF 5

D0900456-HAM5-L1 Top Level Chamber Assembly, Simplified L1 PART PDM REV: X-010, DRAWING PDM REV: X-000

REV.	DATE	DCN #	DRAWING TREE #
-	-	-	-
-	-	-	-
-	-	-	-



TOP VIEW

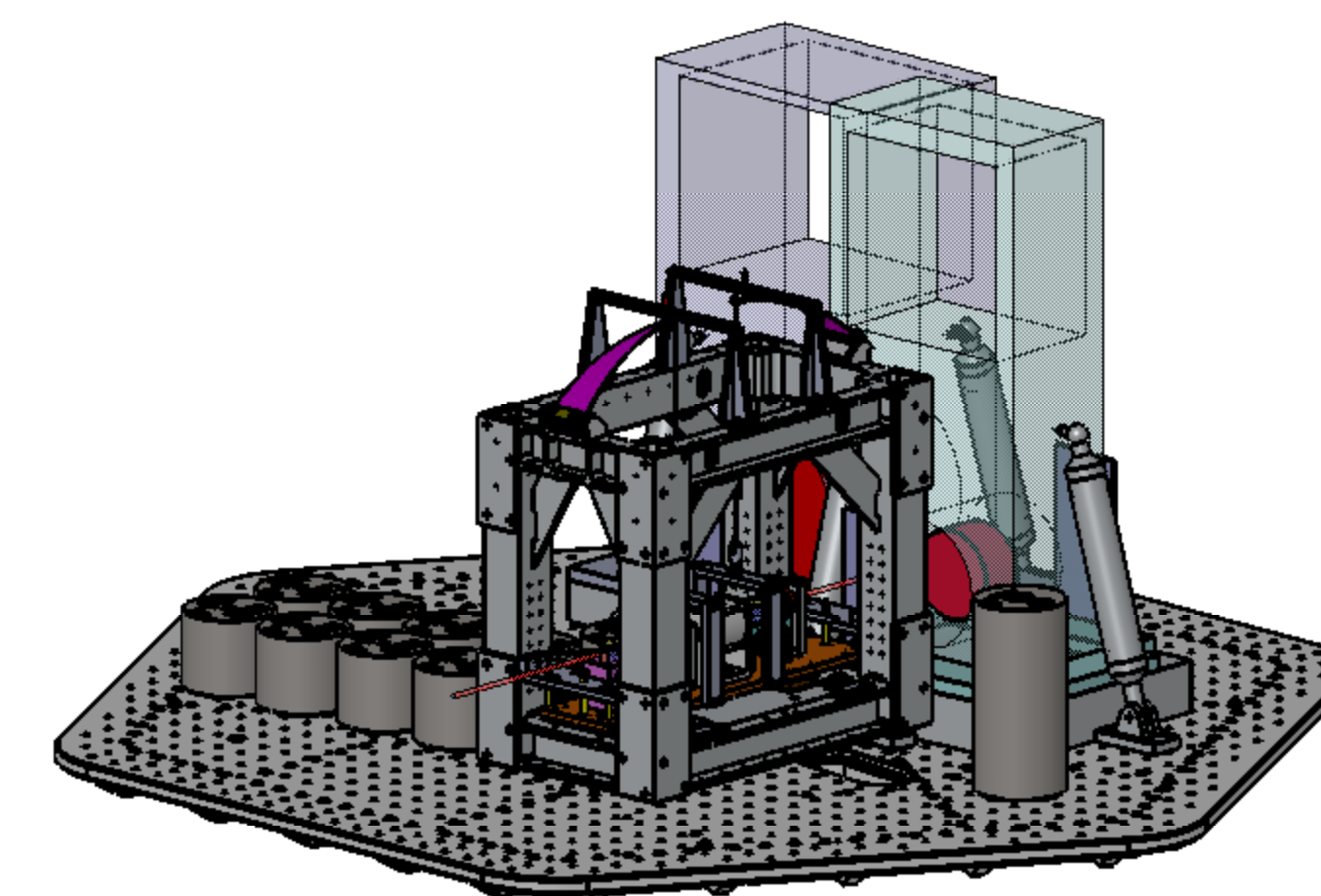
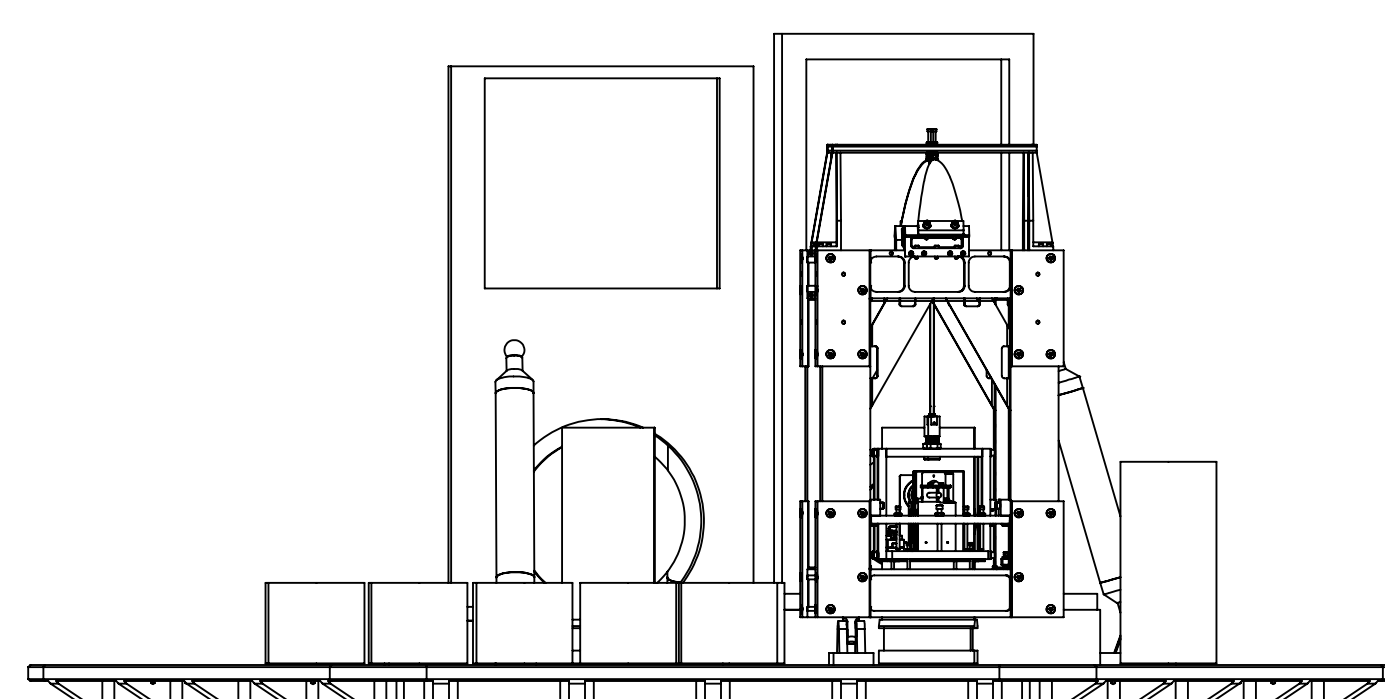
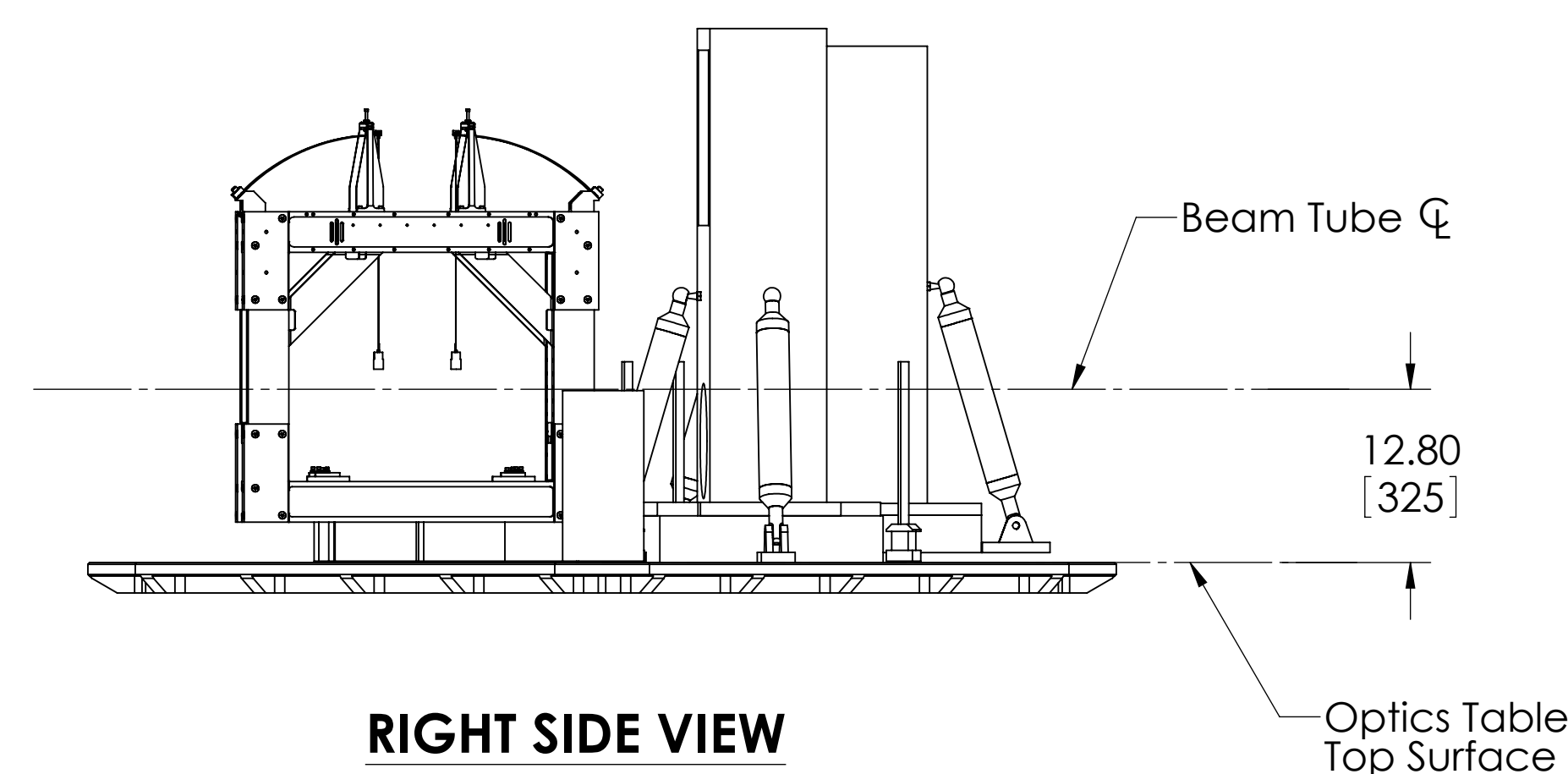


TABLE MASS TOTAL & NO CHAMBER SHOWN



FRONT VIEW



RIGHT SIDE VIEW

HAM5-L1	
CofG COORDINATES (mm)	
X	-1.19
Y	-1.67
Z	-93.50
TABLE MASS TOTAL	504.17

NOTES AND TOLERANCES: (UNLESS OTHERWISE SPECIFIED)	
DIMENSIONS ARE IN INCHES	
TOLERANCES: .XX ± 0.01 .XXX ± 0.005	
ANGULAR ± 0.5°	
MATERIAL	FINISH
--	-- μinch

LIGO CALIFORNIA INSTITUTE OF TECHNOLOGY MASSACHUSETTS INSTITUTE OF TECHNOLOGY	
SYSTEM ADVANCED LIGO	SUB-SYSTEM SUS
NEXT ASSY	

PART NAME HAM5-L1 Top Level Chamber Assembly, Simplified			
DESIGNER	SIZE	DWG. NO.	REV.
DRAFTER ED DCHAVEZ	15 DEC 2009	D	D0900456
CHECKER			v3
APPROVAL	SCALE: 1:12	PROJECTION:	SHEET 5 OF 5

D:\0900456-HAM5-L1 Top Level Chamber Assembly, Simplified\11.PART.PDM REV. X-010.DRAWINGS.PDM REV. X-000