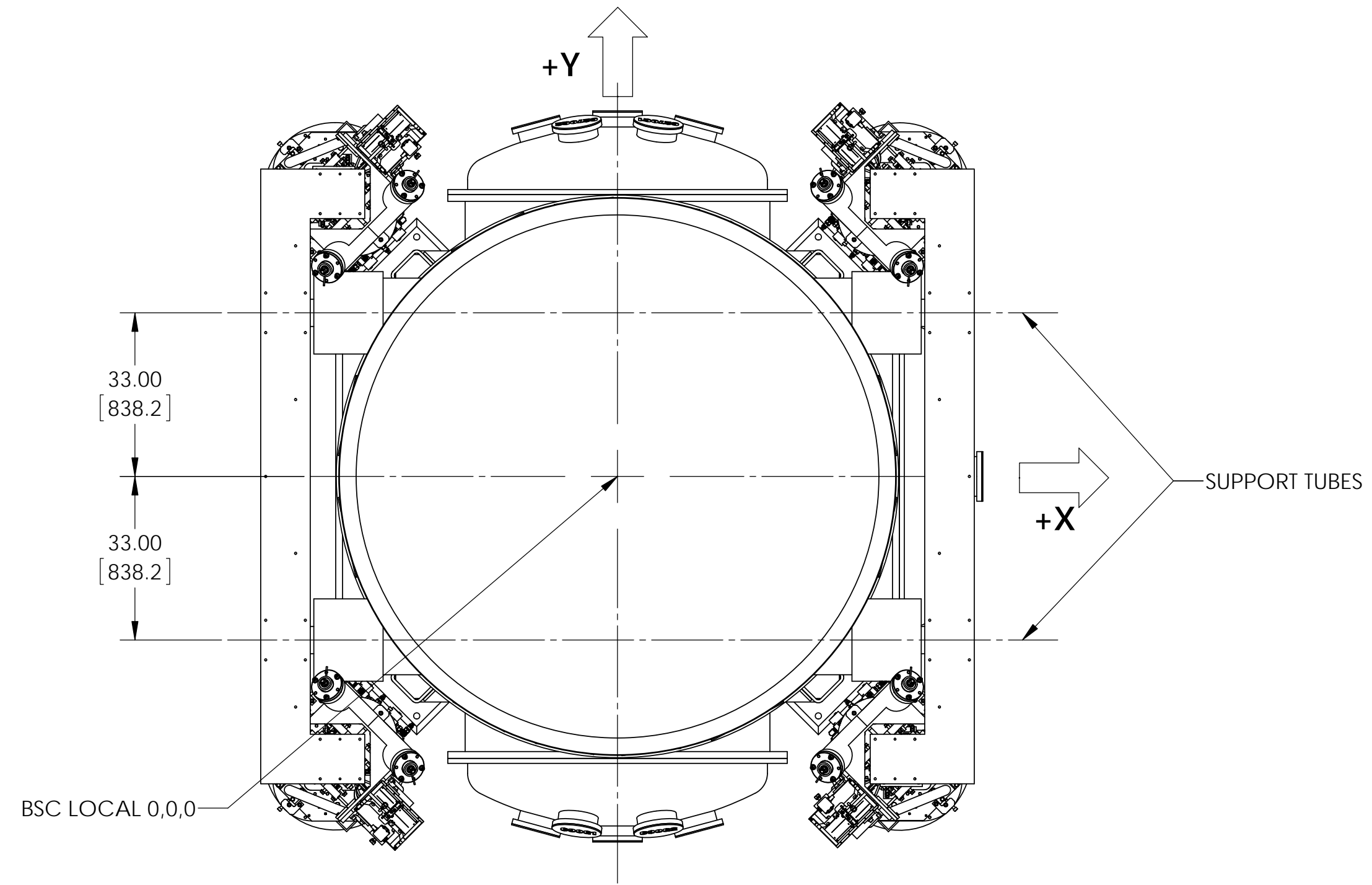
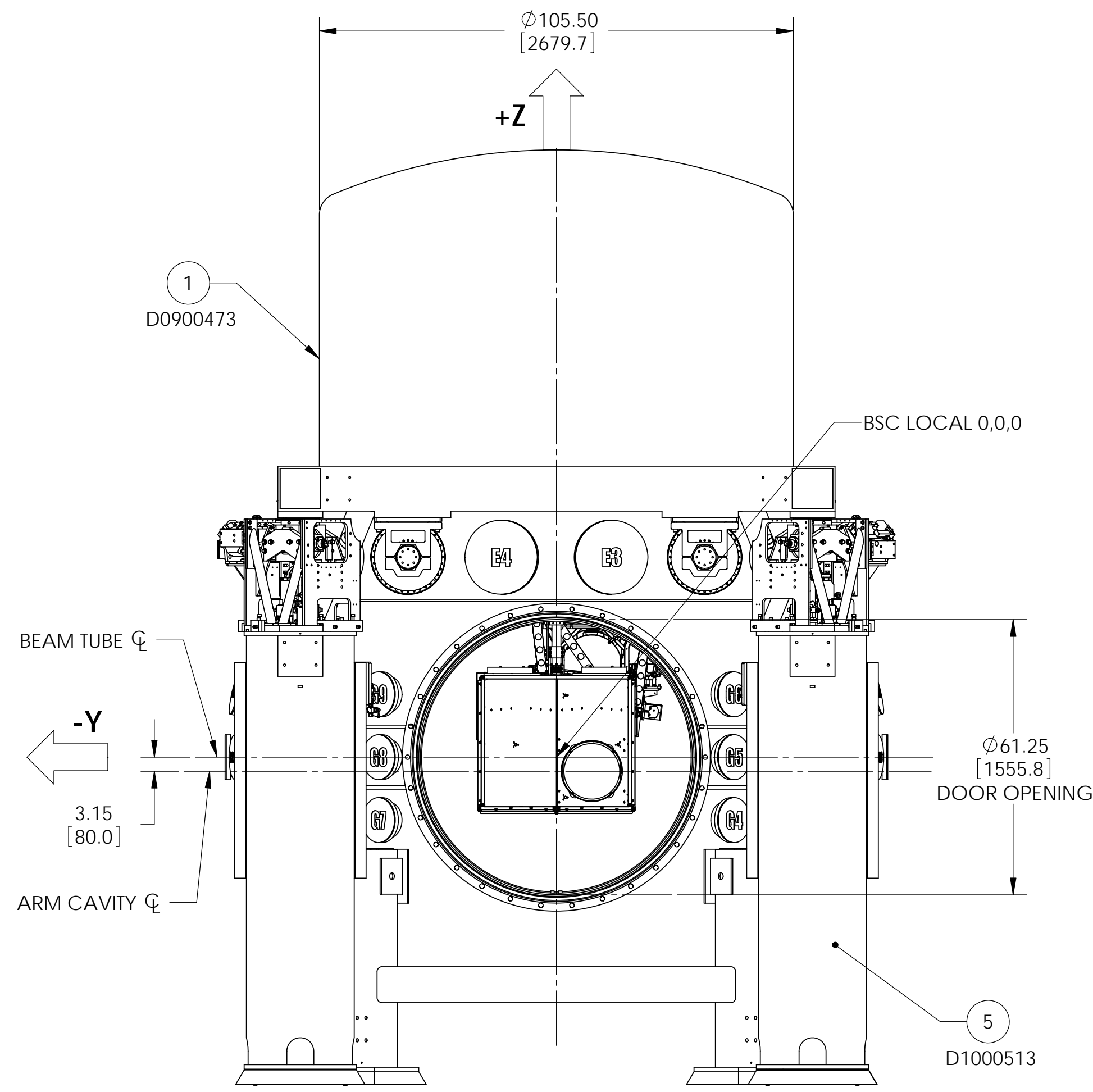
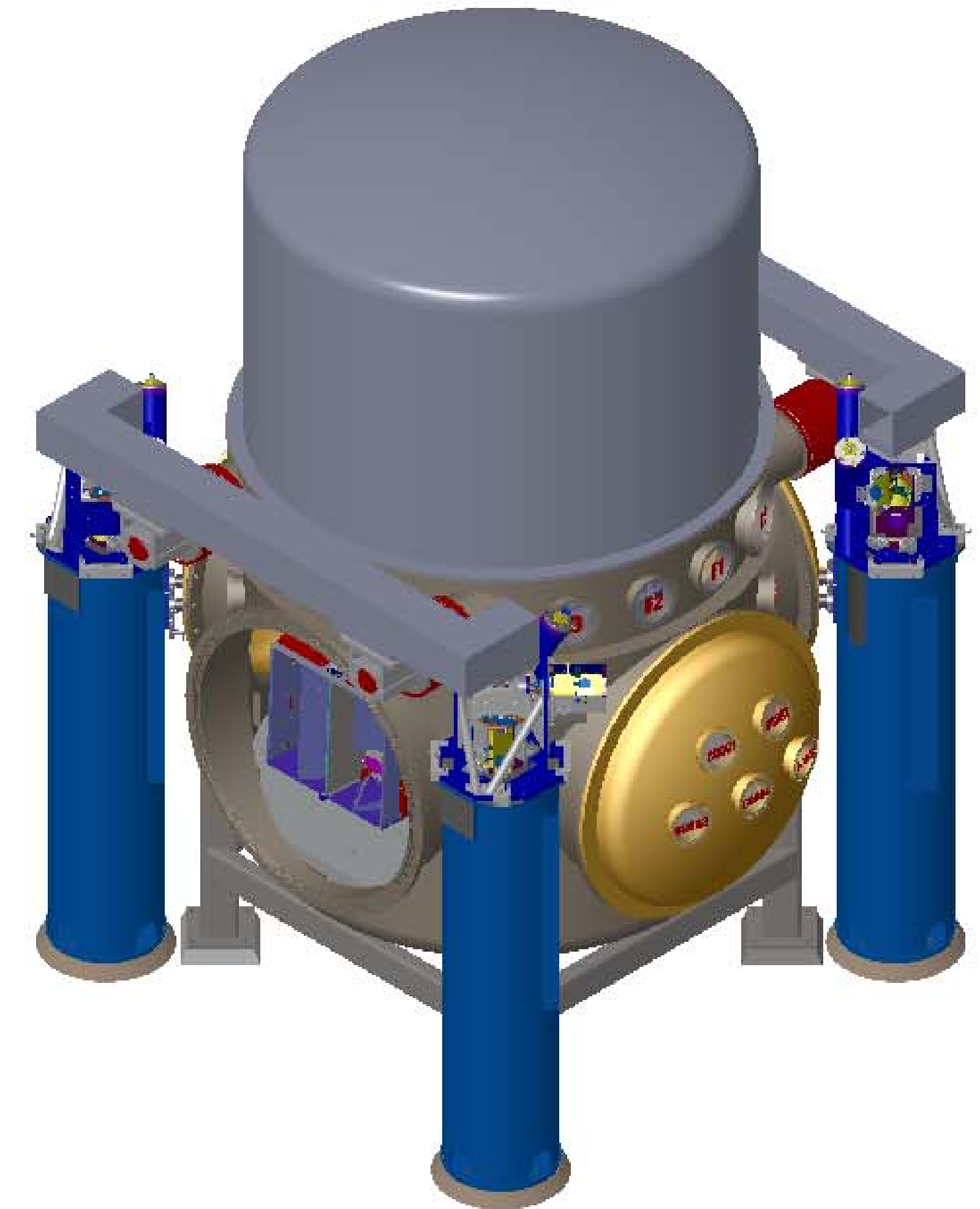


- 5. REFER TO DOCUMENT D1101271 FOR OPTICAL TABLE HOLE TABULATION CONVENTION
- 6. REFER TO G1000125 FOR ISI NAMING AND ORIENTATION CONVENTION
- 7. REFER TO T1100292 FOR VIEW PORT DEFINITION
- 8. REFER TO E1200625 FOR LOCAL COORDINATES OF SUPPORT TUBES END.

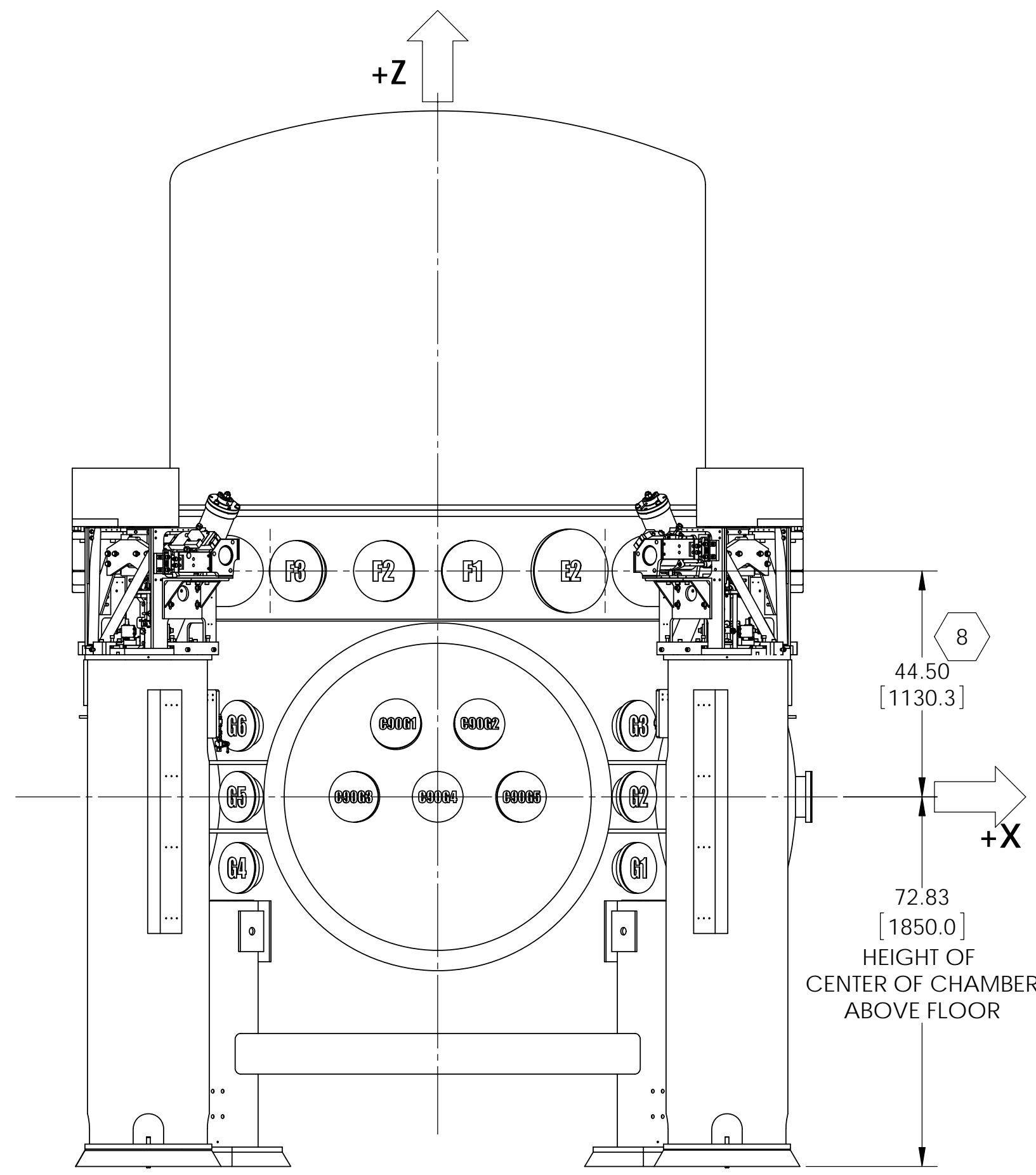
REV.	DATE	DCN #	DRAWING TREE #
v4	25 JAN 2012		
v5	30 NOV 2012		



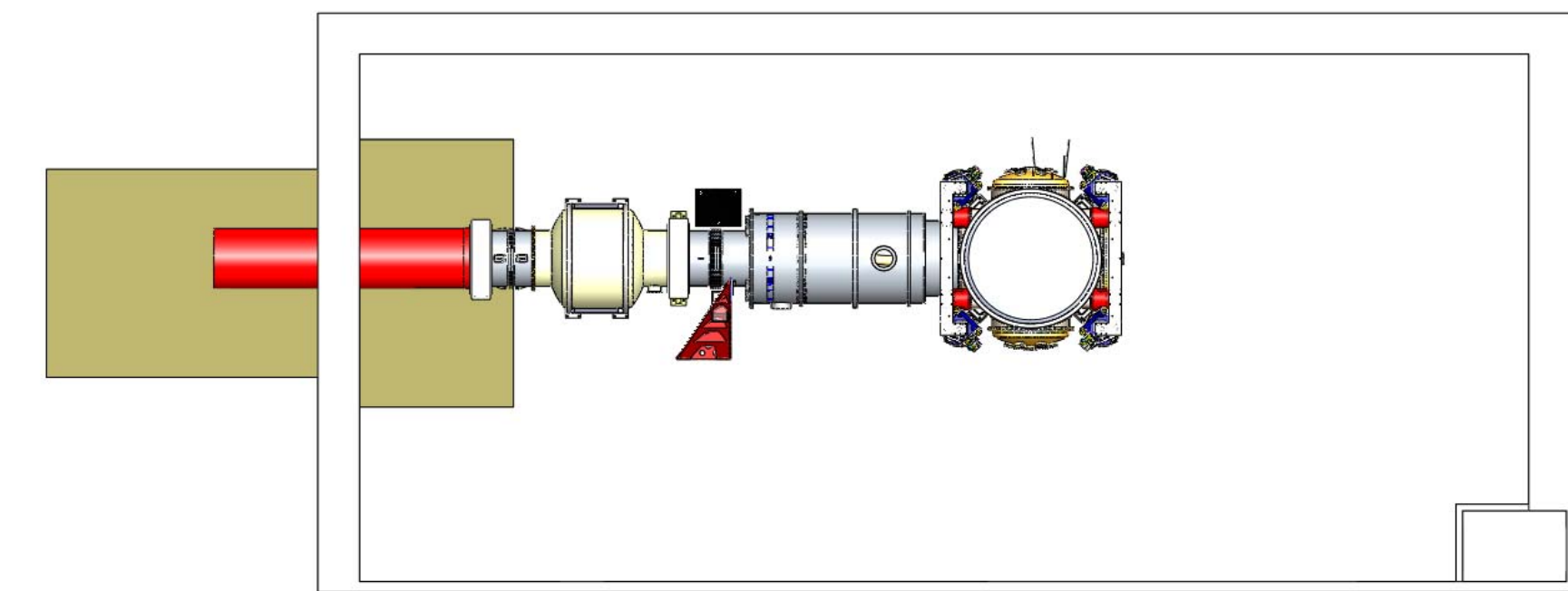
TOP VIEW



LEFT VIEW



FRONT VIEW



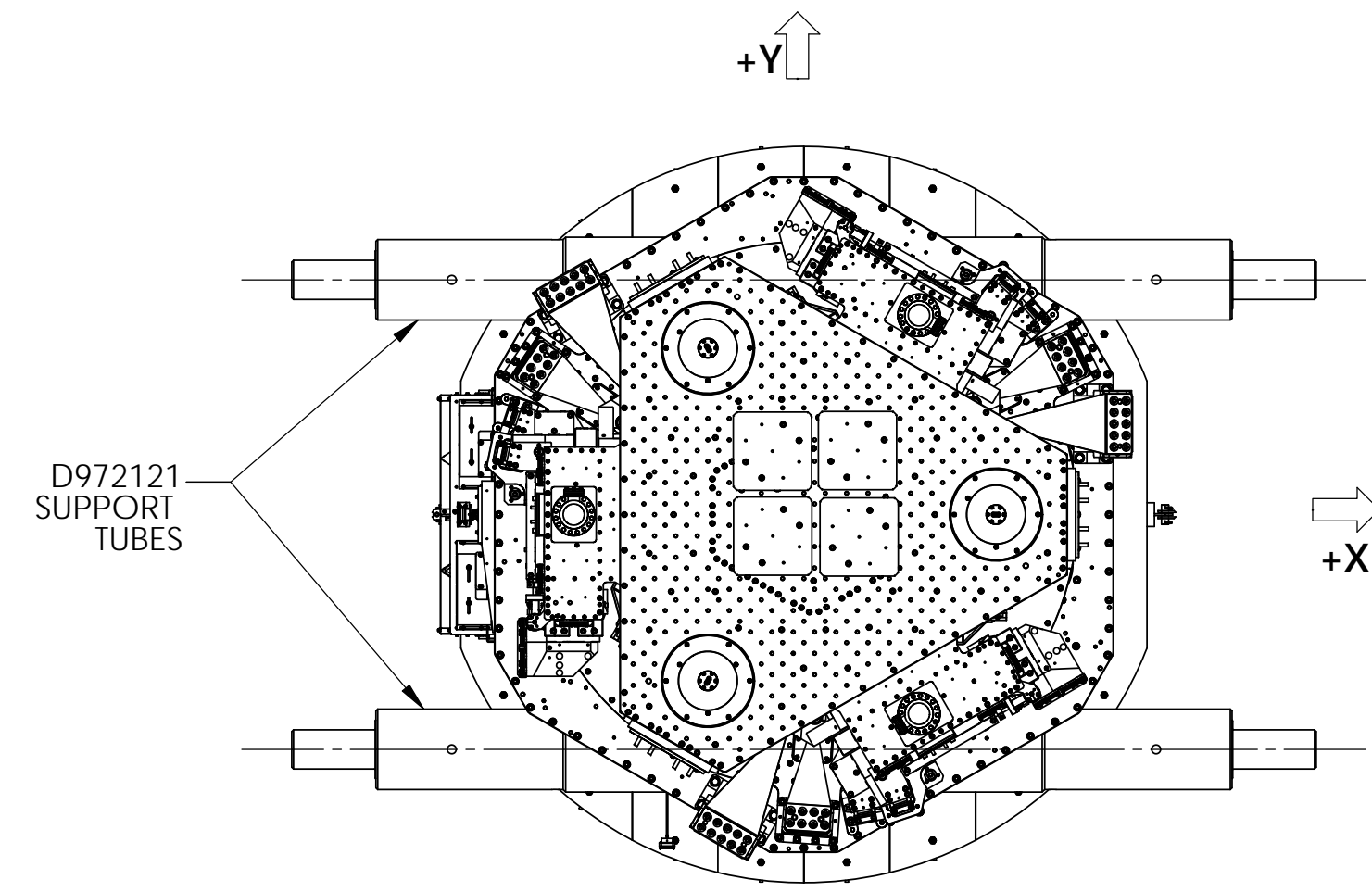
GLOBAL COORDINATES (mm)	
X	4000000.0
Y	0.0
Z	0.0

NOTES AND TOLERANCES: (UNLESS OTHERWISE SPECIFIED)	
1. INTERPRET DRAWING PER ASME Y14.5-1994.	
2. REMOVE ALL SHARP EDGES, .005-.015, FOR MACHINED PARTS. ROUND ALL EDGES APPROXIMATELY R.02 FOR SHEET METAL PARTS.	
3. DO NOT SCALE FROM DRAWING.	
4. ALL MACHINING FLUIDS MUST BE FULLY SYNTHETIC, FULLY WATER SOLUBLE AND FREE OF SULFUR, SILICONE, AND CHLORINE.	
MATERIAL	FINISH
--	-- μinch

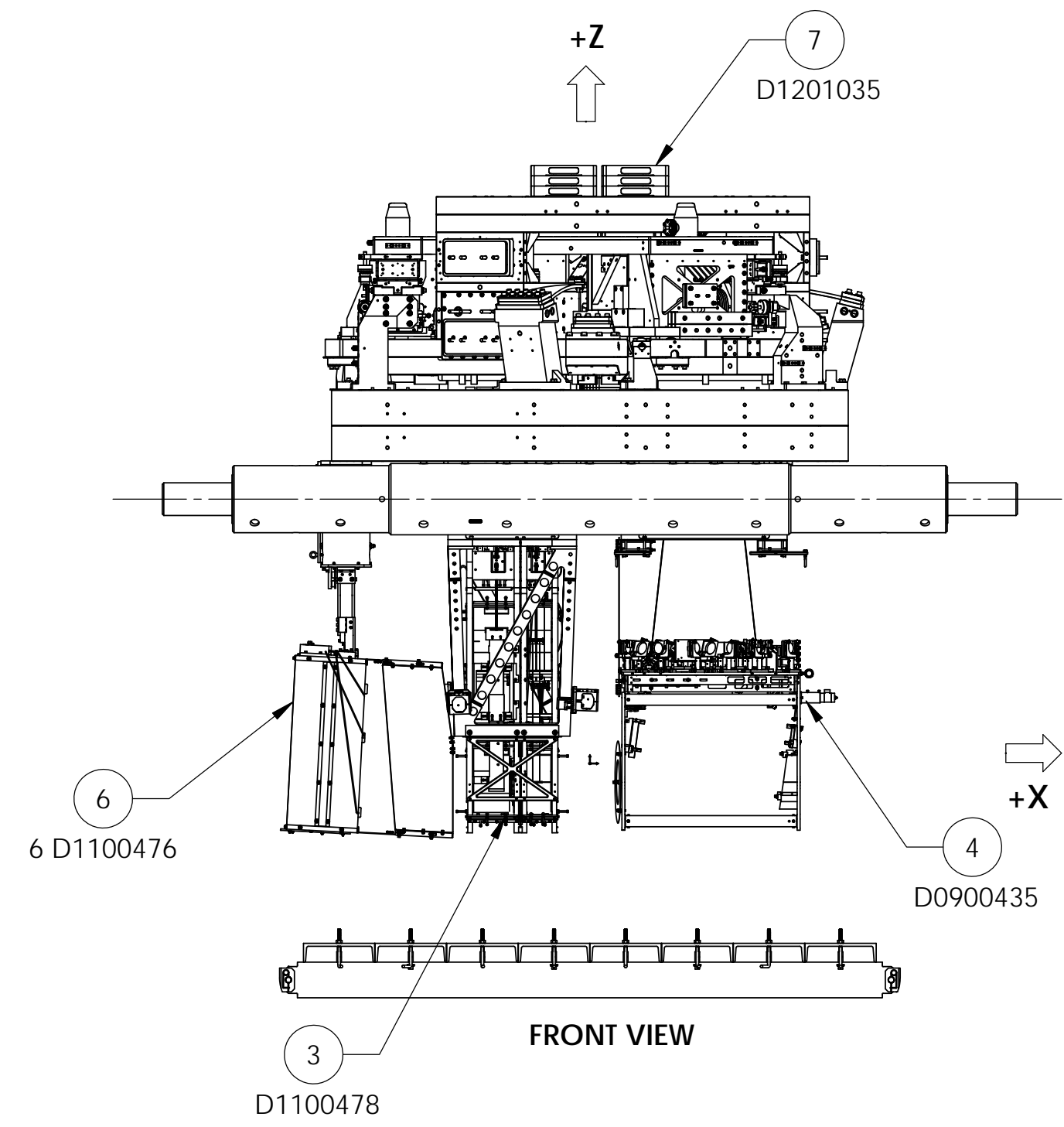
 CALIFORNIA INSTITUTE OF TECHNOLOGY MASSACHUSETTS INSTITUTE OF TECHNOLOGY	SYSTEM	SUB-SYSTEM
	ADVANCED LIGO	SUS
NEXT ASSY		

PART NAME			
BSC4-L1 AdvLIGO Systems, Top Level Chamber Assembly			
DESIGNER	SIZE	DWG. NO.	REV.
DRAFTER	N. CUSTARD	25 JAN 2012	
CHECKER			
APPROVAL			
SCALE: 1:24		PROJECTION:	SHEET 1 OF 3

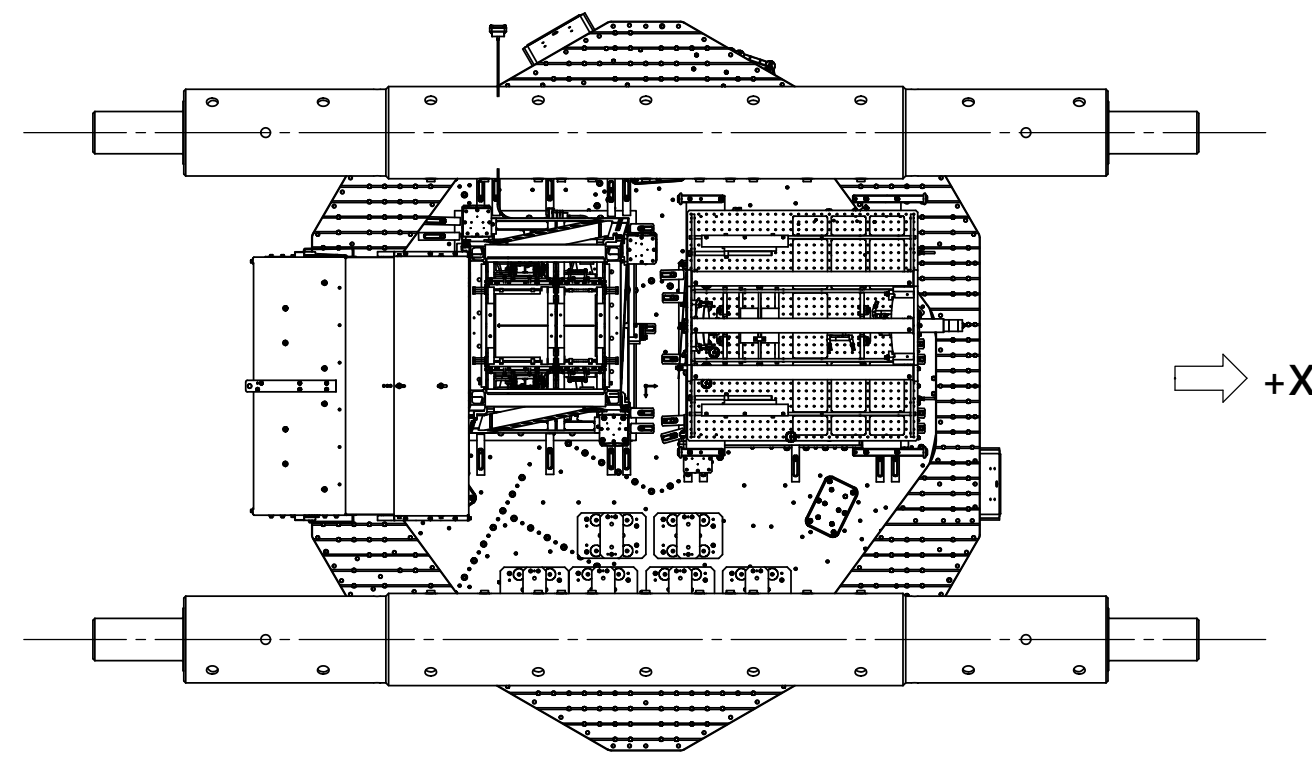
D0900471 AdvLIGO Systems, BSC4-L1 Top Level Chamber Assembly, ALL PART FROM REV. X-046, DRAWING FROM REV. X-003



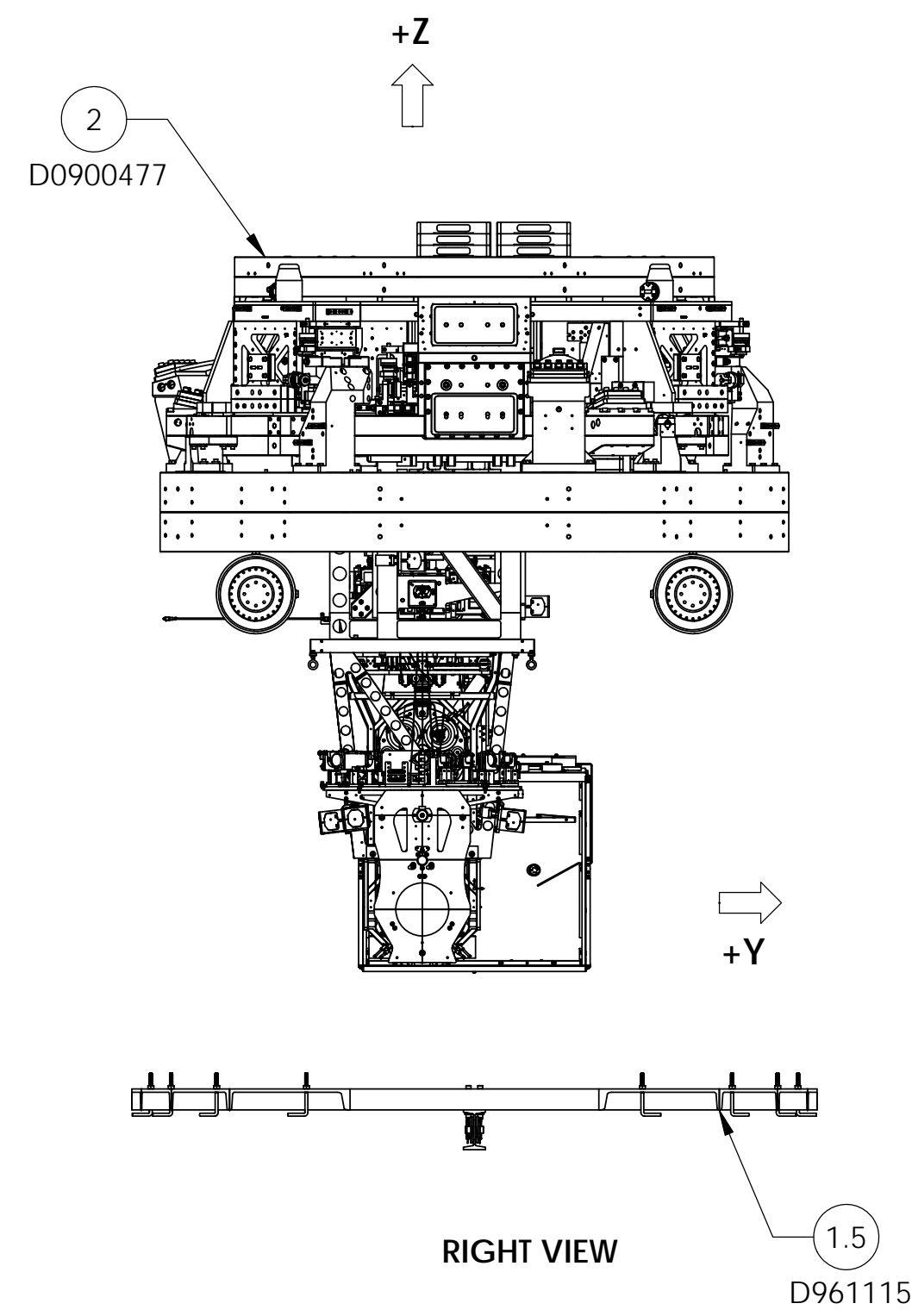
TOP VIEW



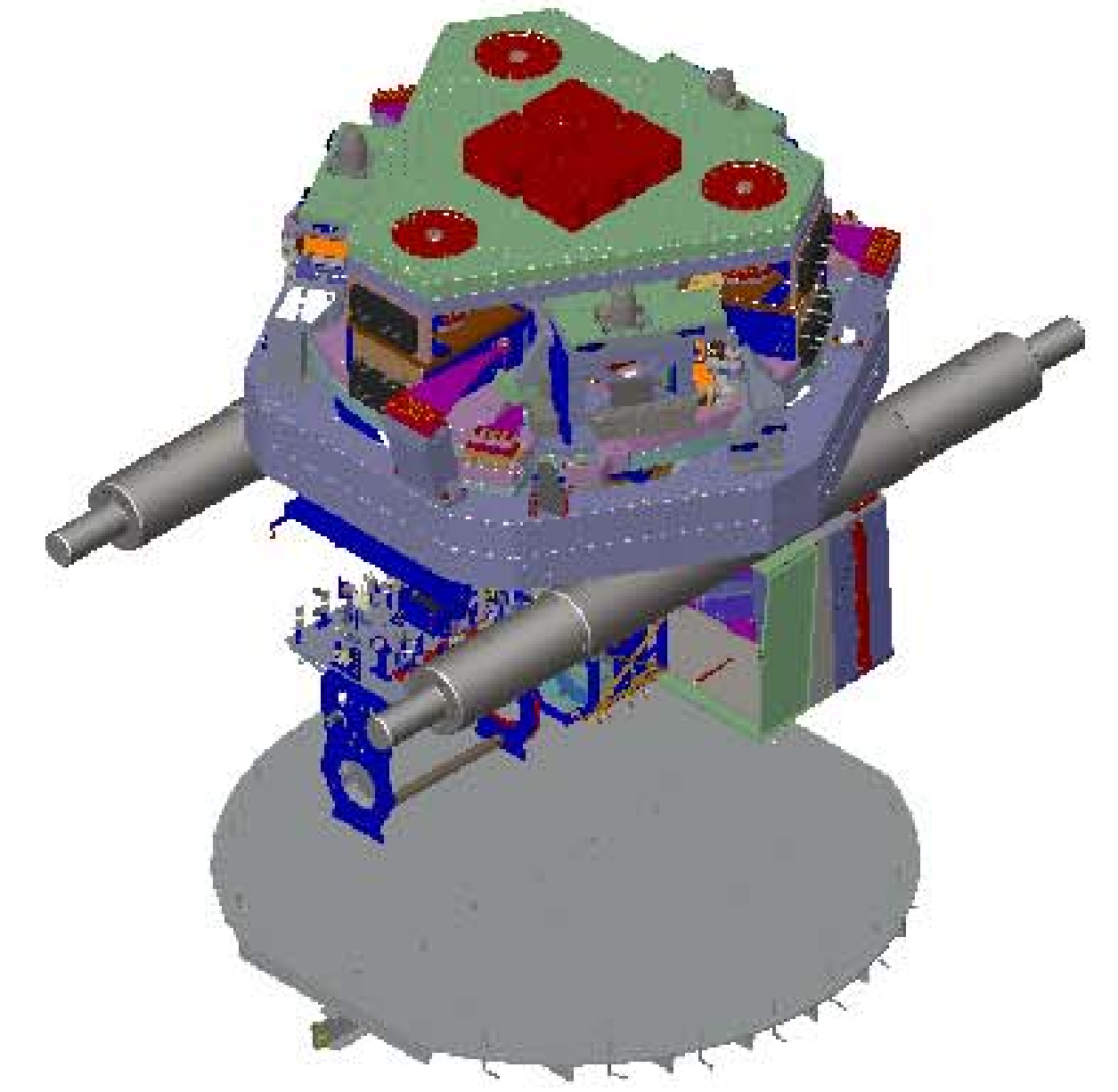
FRONT VIEW



BOTTOM VIEW



RIGHT VIEW



ITEM NO.	PART NUMBER	DESCRIPTION	Full Complete /QTY.
7	D1201035	AdvLIGO BSC4-L1 ISI Table, Payload & Suspended Masses Assy	1
6	D1100476	AdvLIGO SUS BSC4-L1, XYZ Local CS for SLC Arm Cavity Baffle	1
5	D1000513	HEPI ASSEMBLY, BSC aLIGO	1
4	D0900435	AdvLIGO SUS BSC4-L1, XYZ Local CS for ETM Tel Assy	1
3	D0900478	AdvLIGO SUS BSC4-L1, XYZ Local CS for ETMX	1
2	D0900477	AdvLIGO SEI BSC4-L1, XYZ Local CS for ISI Table	1
1	D0900473	AdvLIGO VE BSC4-L1, Vacuum Equipment Assembly	1

PARTS LIST

**LIGO** CALIFORNIA INSTITUTE OF TECHNOLOGY  
MASSACHUSETTS INSTITUTE OF TECHNOLOGY

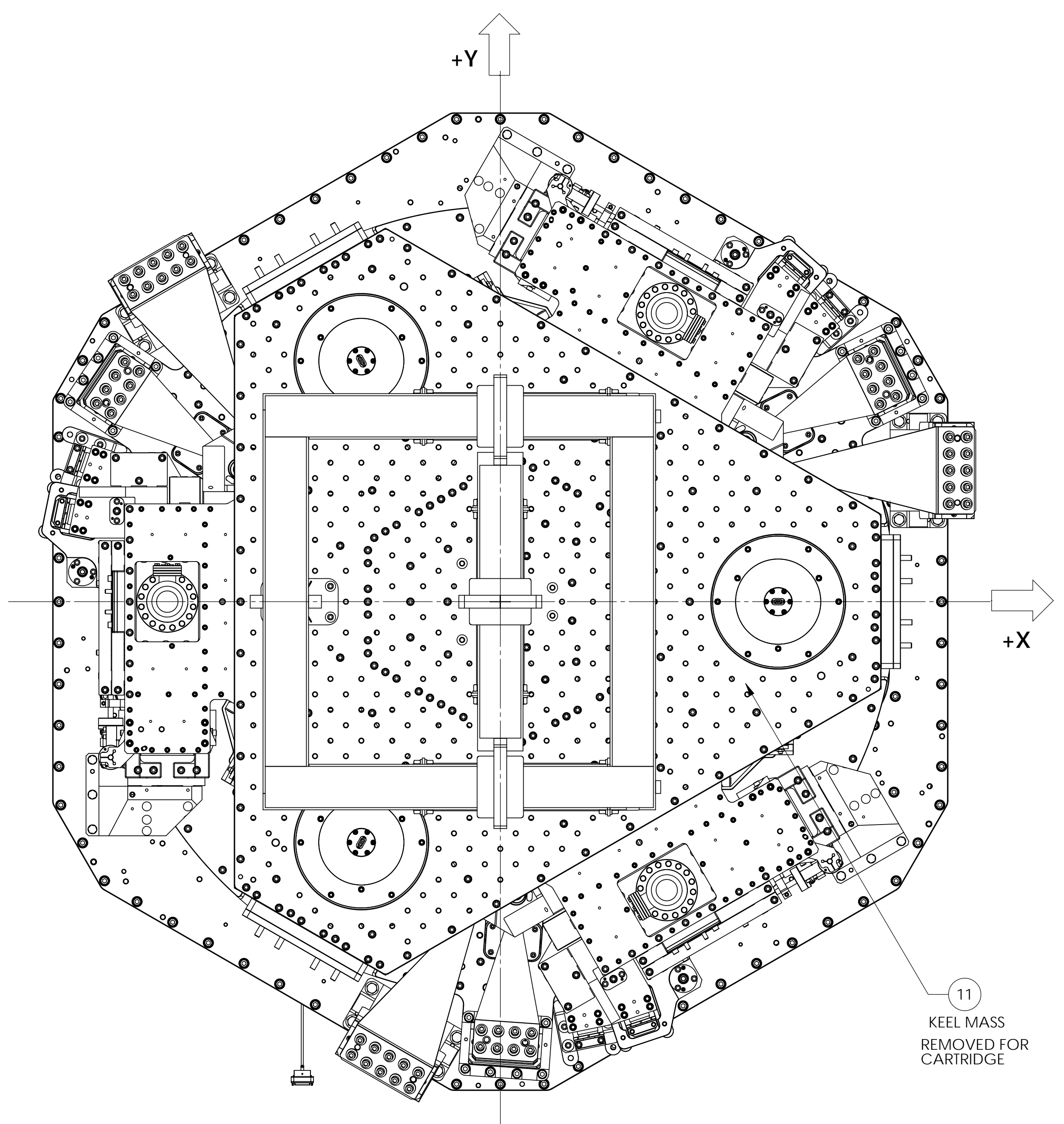
SIZE	DWG. NO.	REV.
D	D0900471	v5
SCALE: 1:25	PROJECTION:	SHEET 2 OF 3

D0900471 AdvLIGO Systems, BSC4-L1 Top Level Chamber Assembly, ALL PART FROM REV. X-046, DRAWING FROM REV. X-003

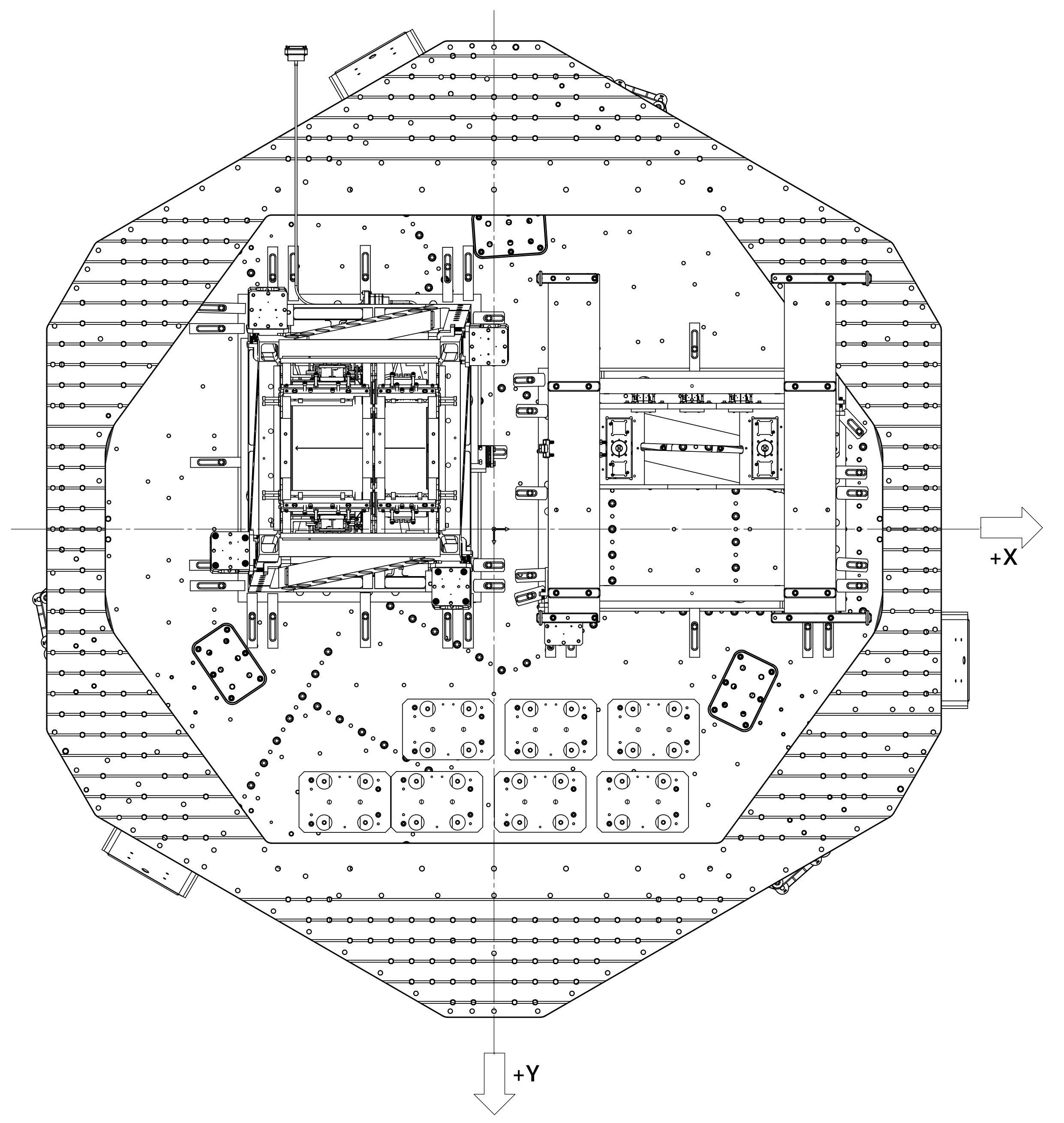


8 7 6 5 4 3 2 1

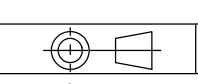
H  
G  
F  
E  
D  
C  
B  
A



**TOP VIEW  
(LOOKING DOWN)  
CARTRIDGE ASSEMBLY CONFIGURATION  
(KEEL MASS REMOVED)**



**BOTTOM VIEW  
(LOOKING UP)**

<b>LIGO</b> CALIFORNIA INSTITUTE OF TECHNOLOGY MASSACHUSETTS INSTITUTE OF TECHNOLOGY	
SIZE DWG. NO.	REV.
D D0900471	v5
SCALE: 1:10	PROJECTION:  SHEET 3 OF 3

D0900471 AduLIGO Systems, BSC4-L1 Top Level Chamber Assembly, ALL PART FROM REV. X-046, DRAWING FROM REV. X-003

8 7 6 5 4 3 2 1