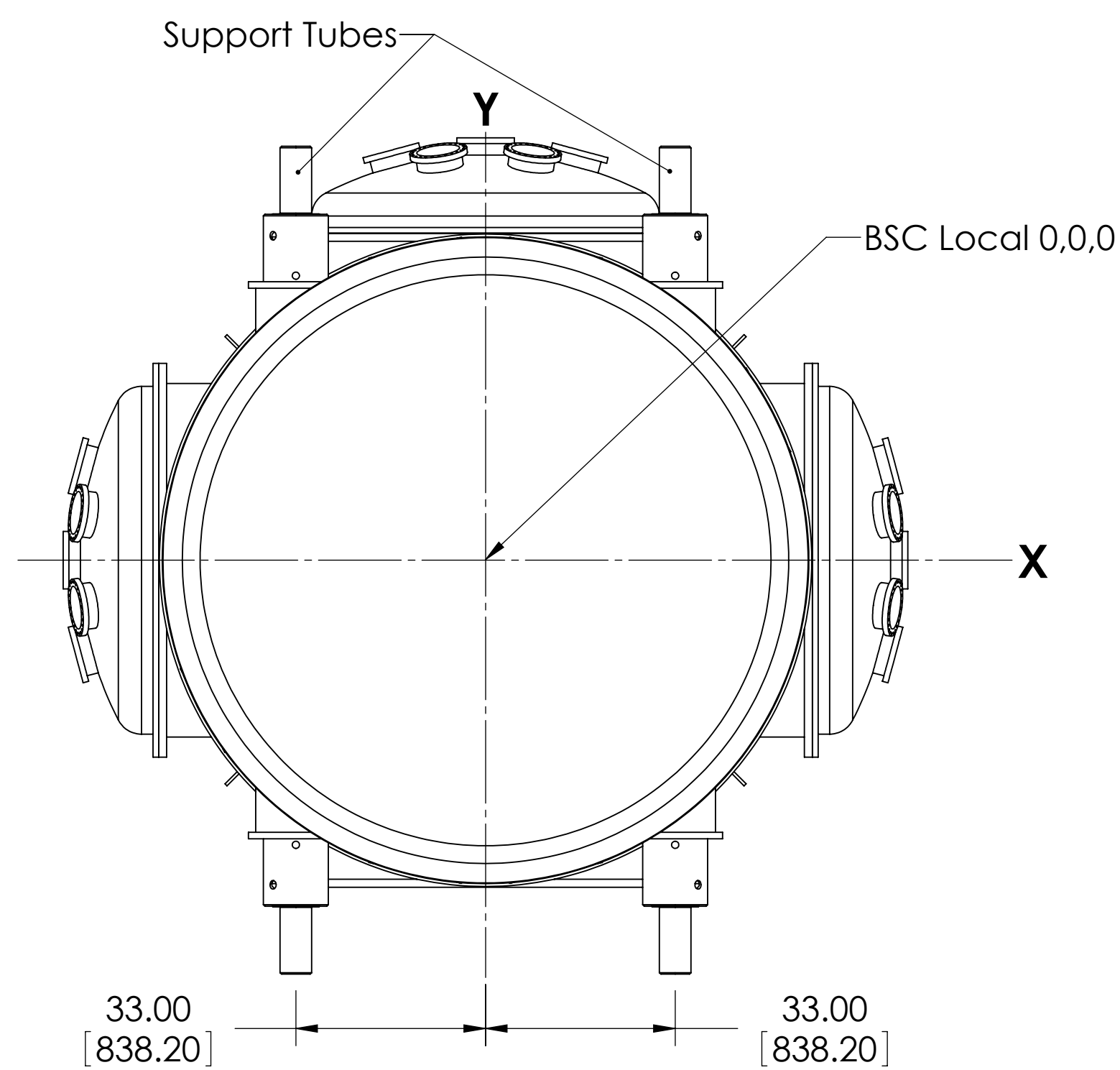
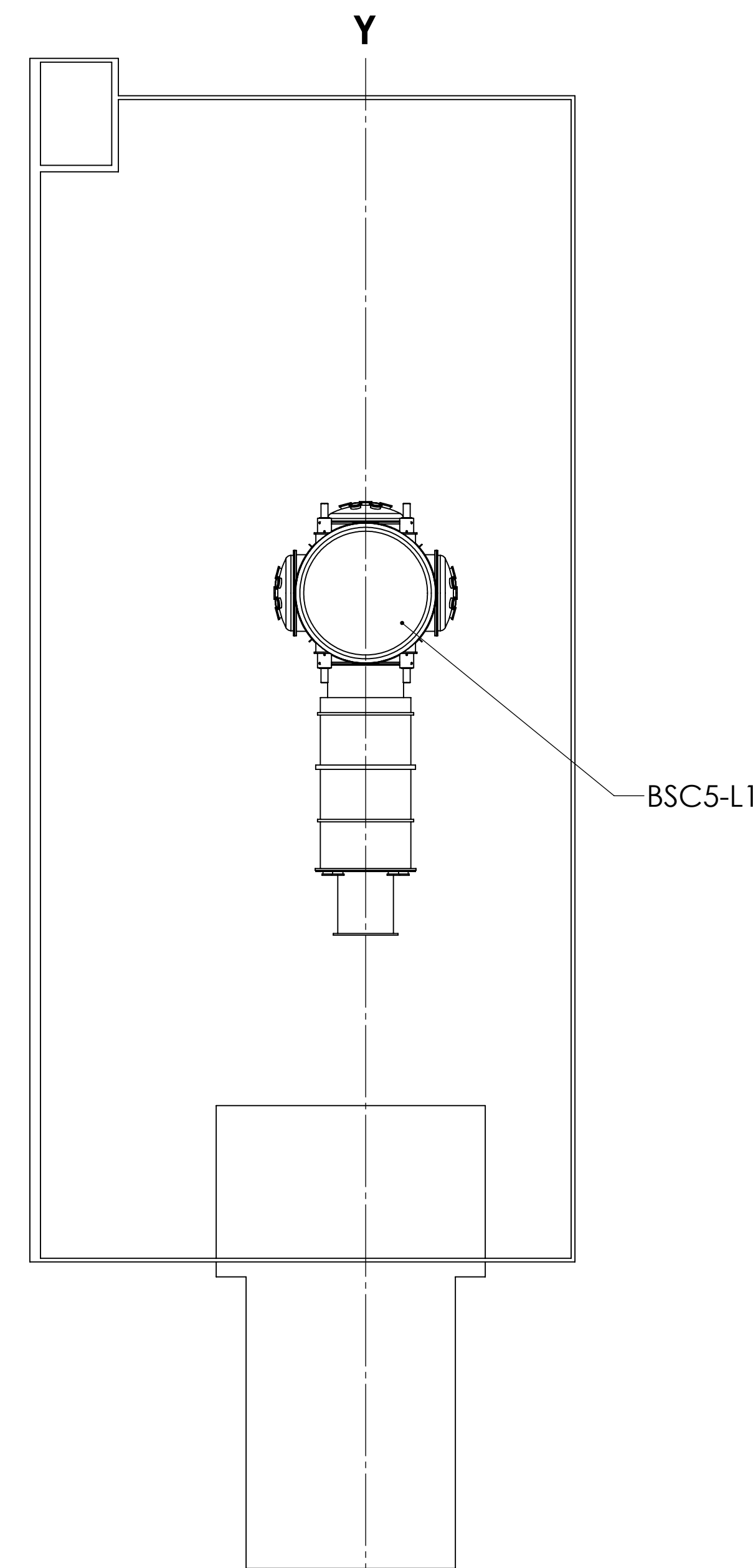
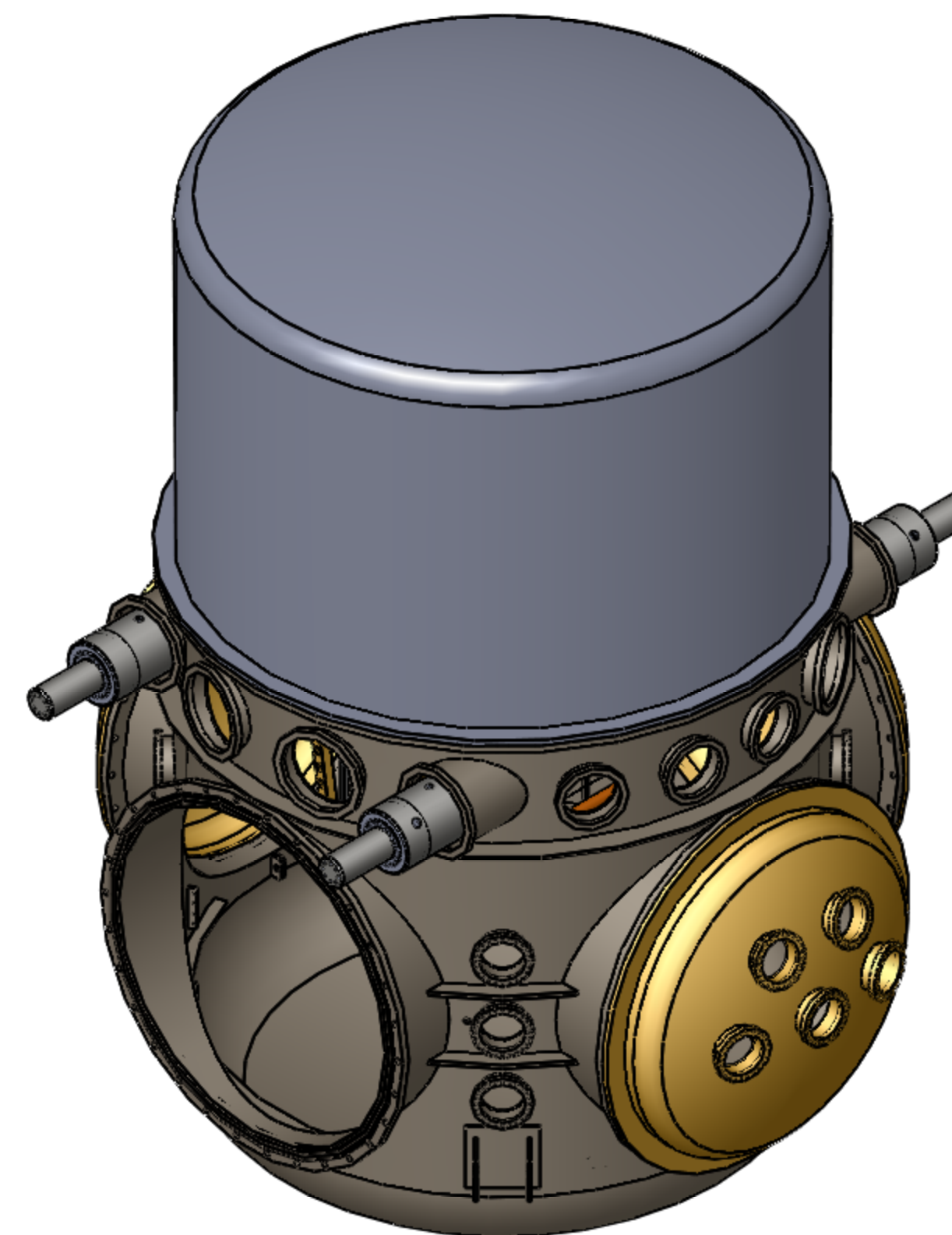


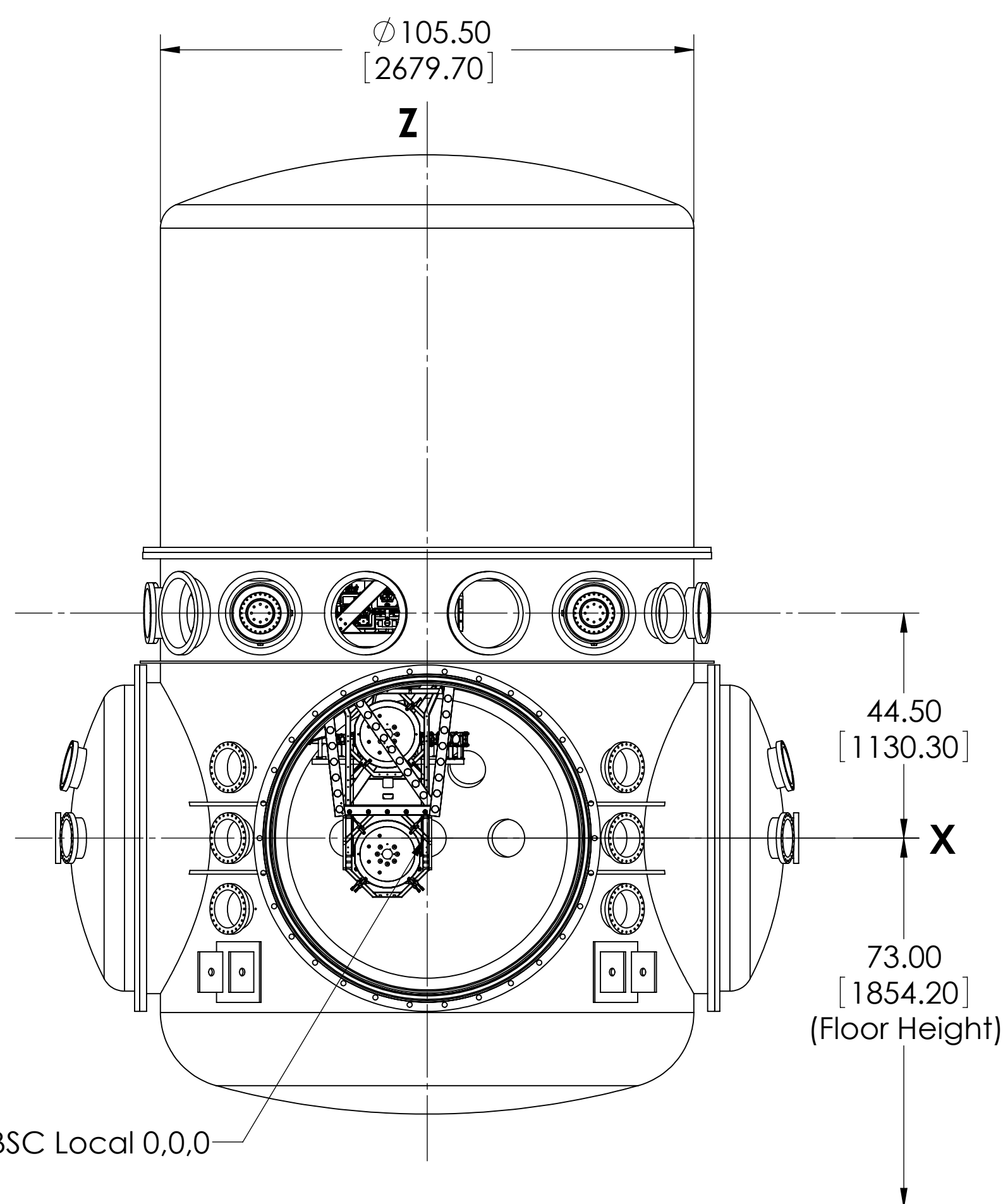
REV.	DATE	DCN #	DRAWING TREE #
-	-	-	-
-	-	-	-
-	-	-	-



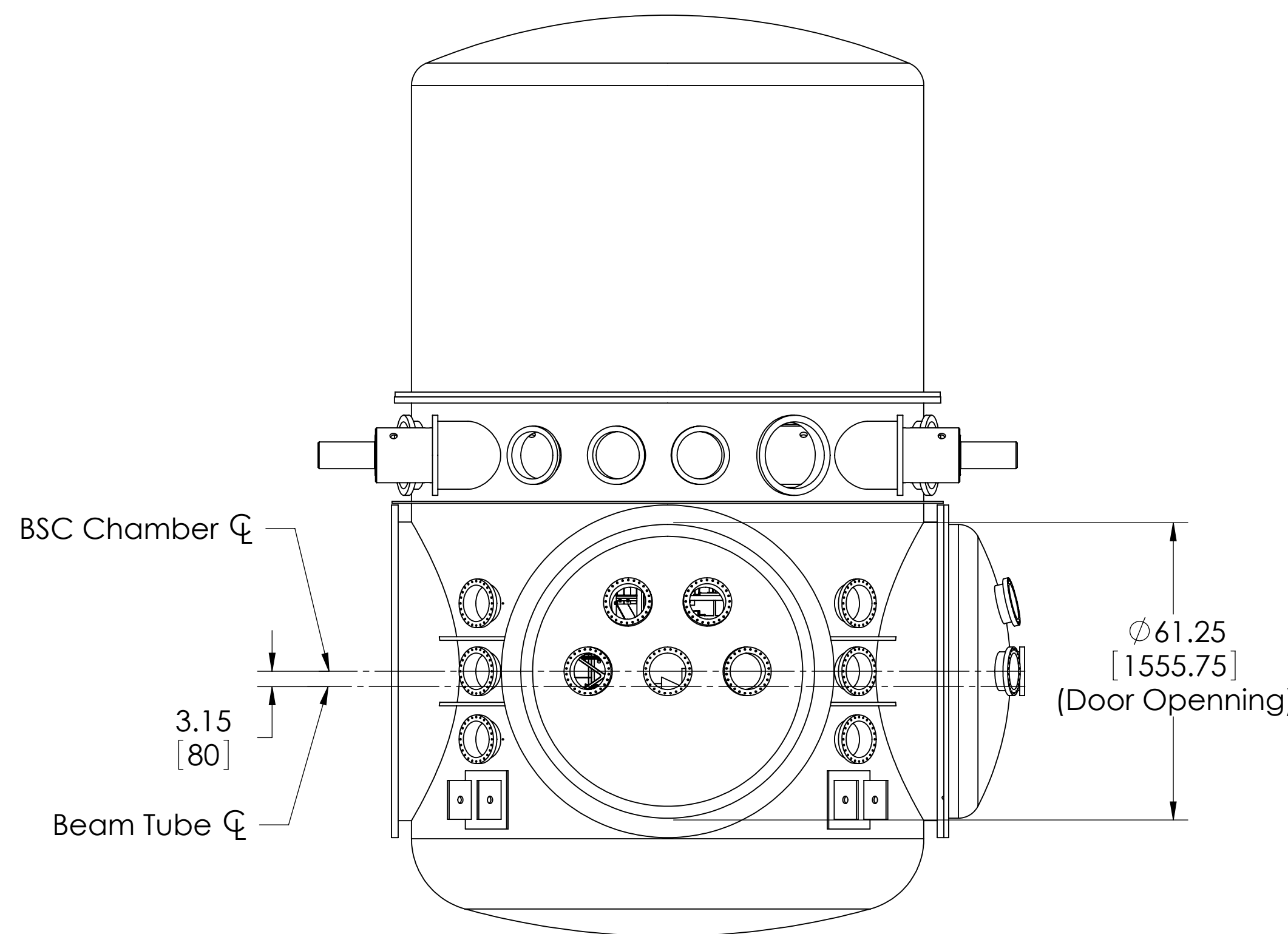
TOP VIEW



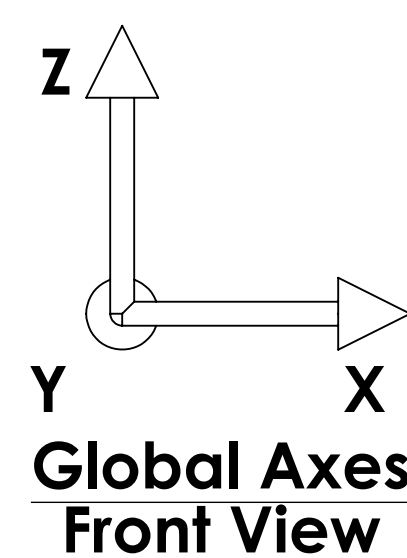
LLO Y-END STATION



FRONT VIEW



RIGHT SIDE VIEW



BSC5-L1	
GLOBAL COORDINATES (mm)	
X	0.0
Y	4000000.0
Z	0.0

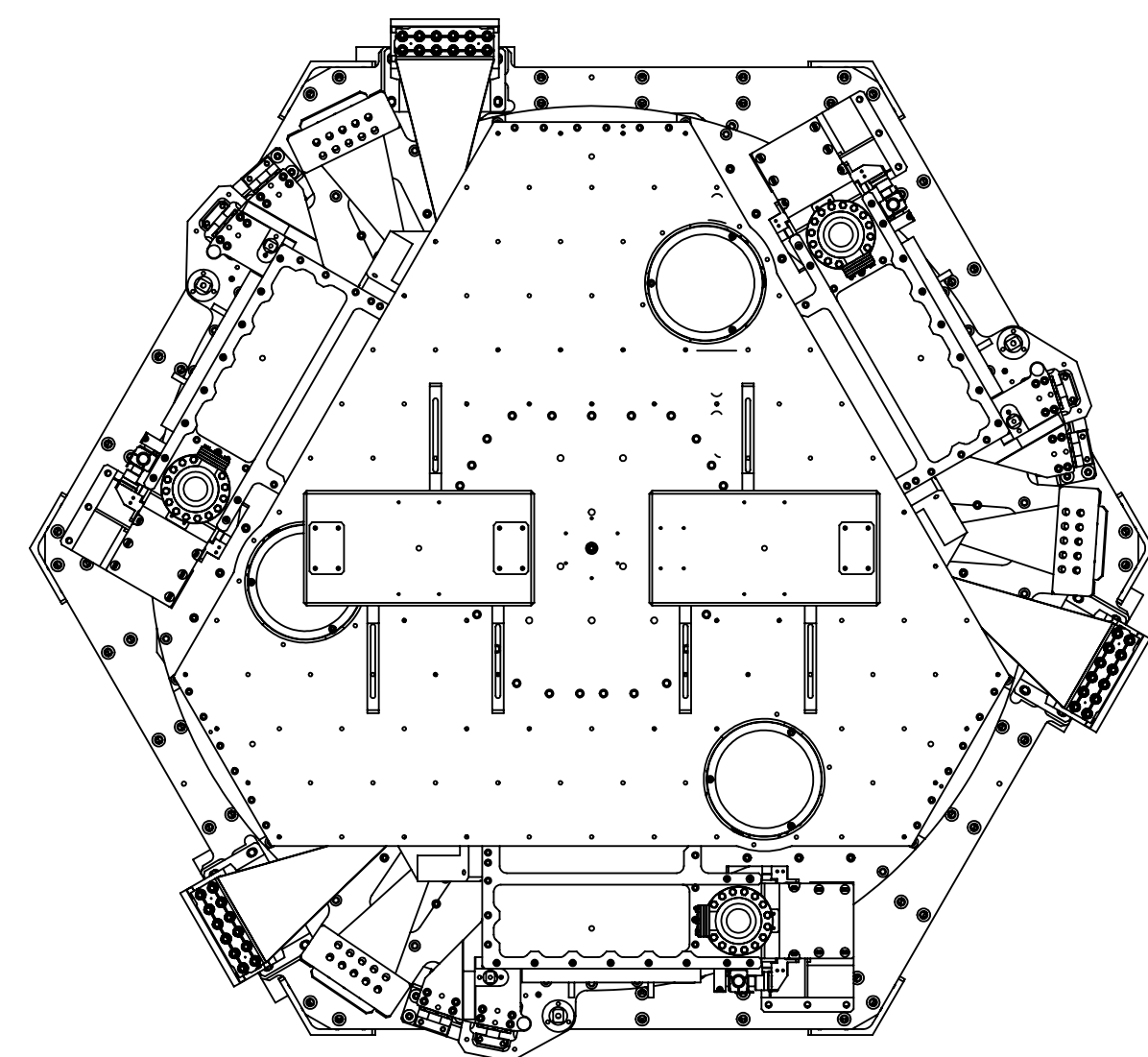
NOTES AND TOLERANCES: (UNLESS OTHERWISE SPECIFIED)	
DIMENSIONS ARE IN INCHES	
TOLERANCES: .XX ± 0.01 .XXX ± 0.005	
ANGULAR ± 0.5°	
MATERIAL	FINISH
--	-- μinch

LIGO CALIFORNIA INSTITUTE OF TECHNOLOGY MASSACHUSETTS INSTITUTE OF TECHNOLOGY	PART NAME
SYSTEM: ADVANCED LIGO	BSC5-L1 Top Level Chamber Assembly, Fully Defined
SUB-SYSTEM: SUS	DESIGNER
NEXT ASSY	ED CHAVEZ
	CHECKER
	APPROVAL

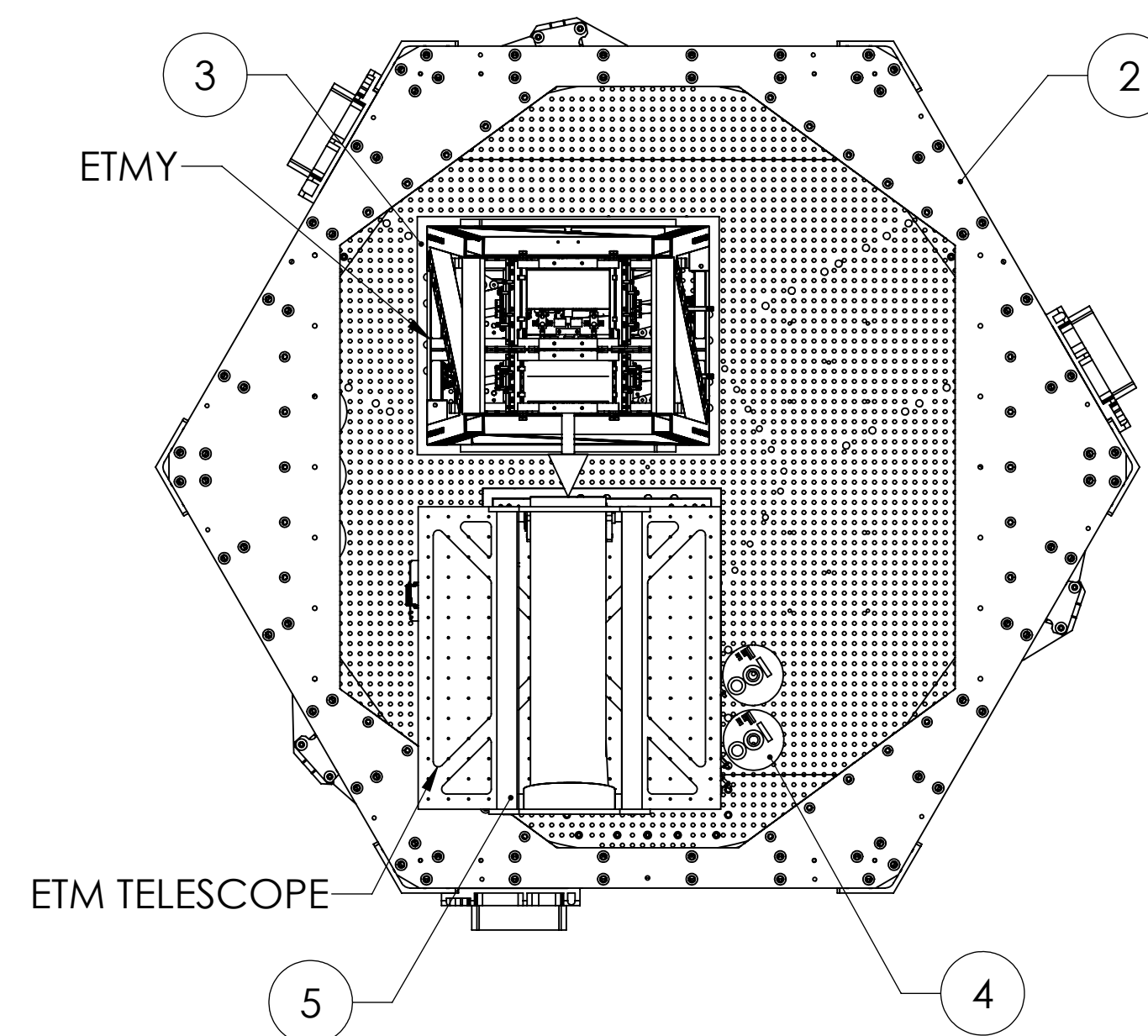
SIZE	DWG. NO.	REV.
D	D0900506	v3
SCALE: 1:32	PROJECTION:	SHEET 1 OF 5

DD0900506 BSC5-L1 Top Level Chamber Assembly, Complicated-1 PART PDM REV: X.011 DRAWING PDM REV: X.000

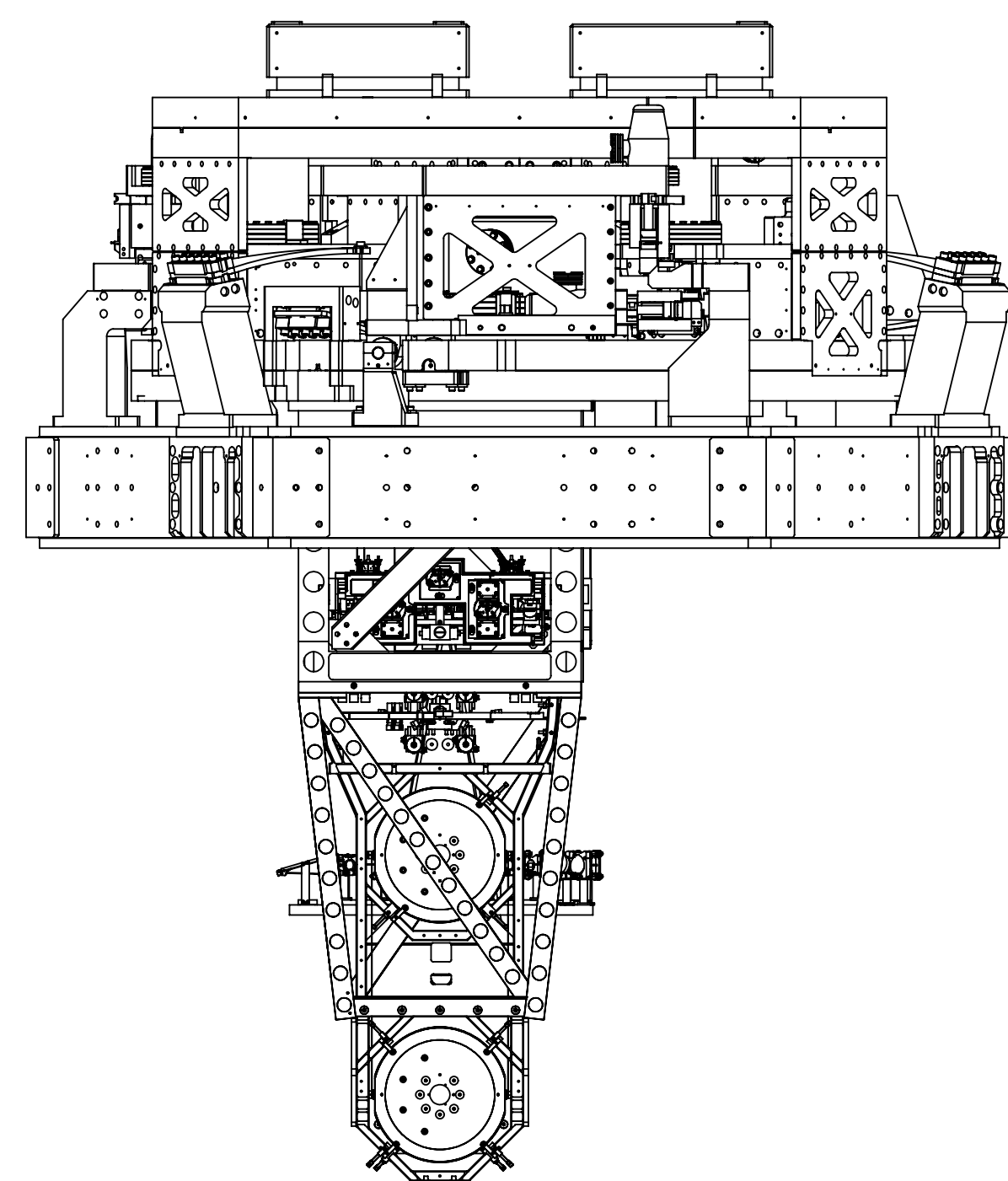
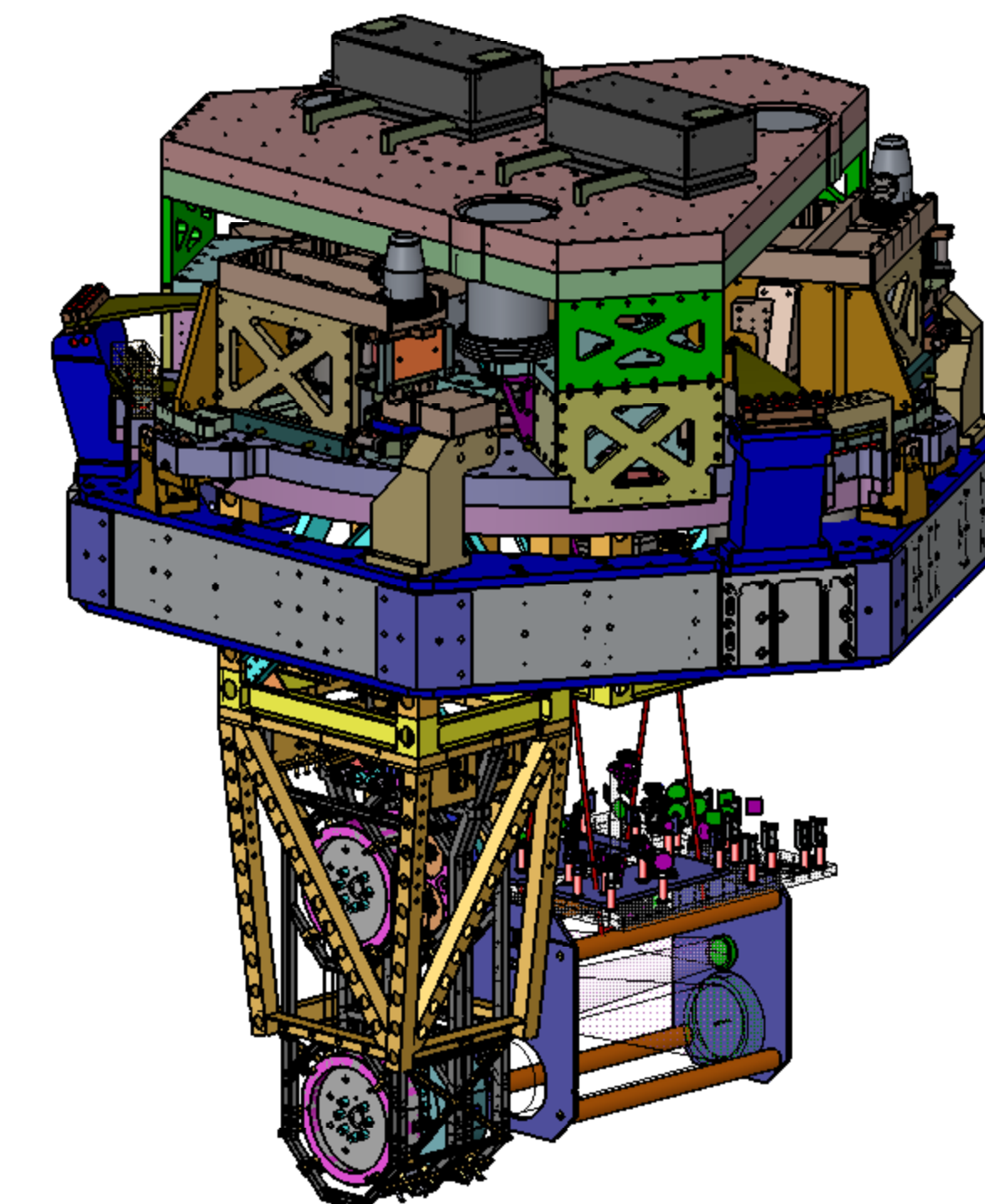
REV.	DATE	DCN #	DRAWING TREE #
-	-	-	-
-	-	-	-
-	-	-	-



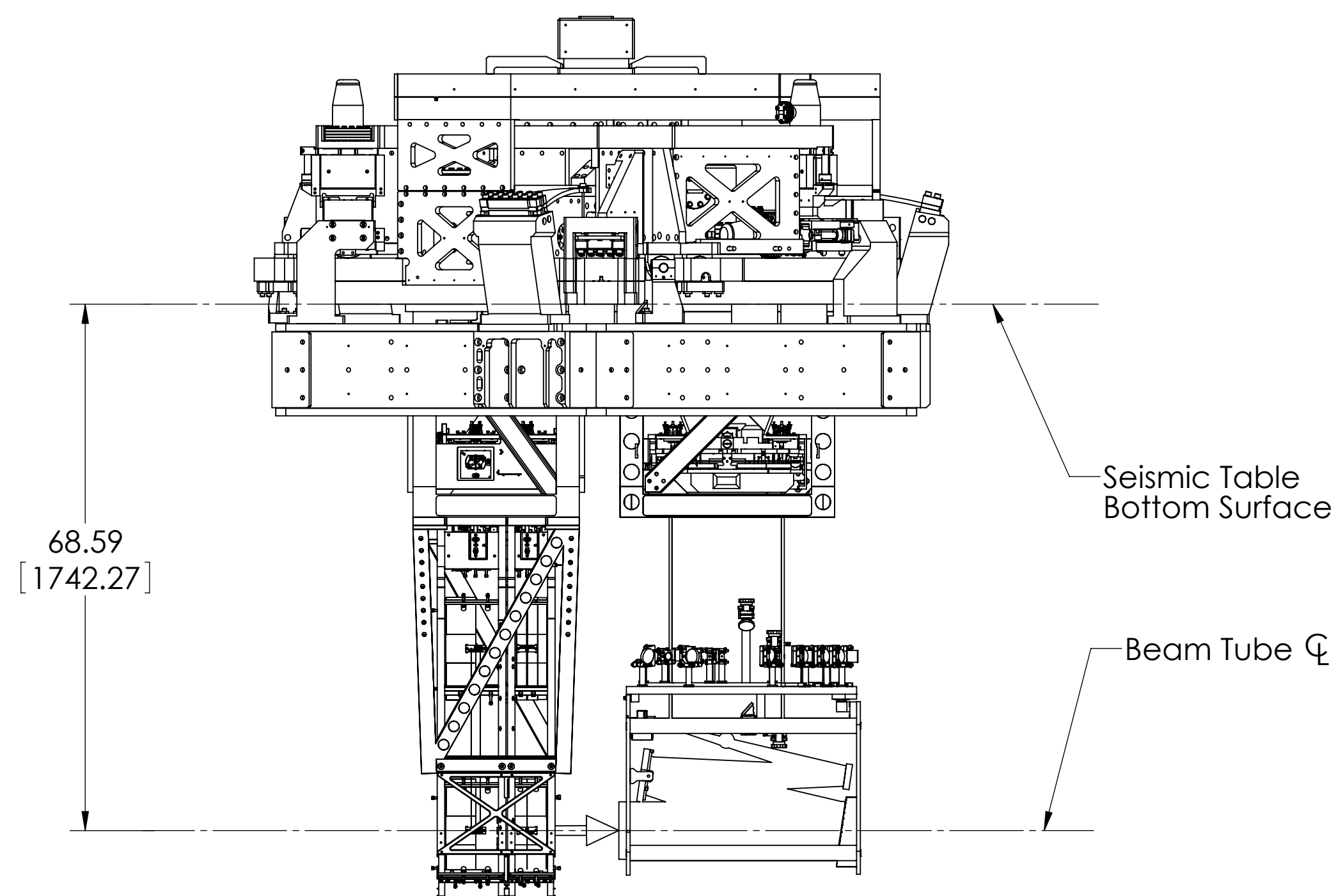
TOP VIEW



BOTTOM VIEW



FRONT VIEW



RIGHT SIDE VIEW

BSC5-L1 GLOBAL COORDINATES (mm)	
X	0.0
Y	4000000.0
Z	0.0

DIMENSIONS ARE IN INCHES
 TOLERANCES:
 .XX ± 0.01
 .XXX ± 0.005
 ANGULAR ± 0.5°

NOTES AND TOLERANCES: (UNLESS OTHERWISE SPECIFIED)

MATERIAL	--	FINISH	-- μinch
----------	----	--------	----------

LIGO CALIFORNIA INSTITUTE OF TECHNOLOGY
 MASSACHUSETTS INSTITUTE OF TECHNOLOGY

SYSTEM: **ADVANCED LIGO** SUB-SYSTEM: **SUS**

NEXT ASSY

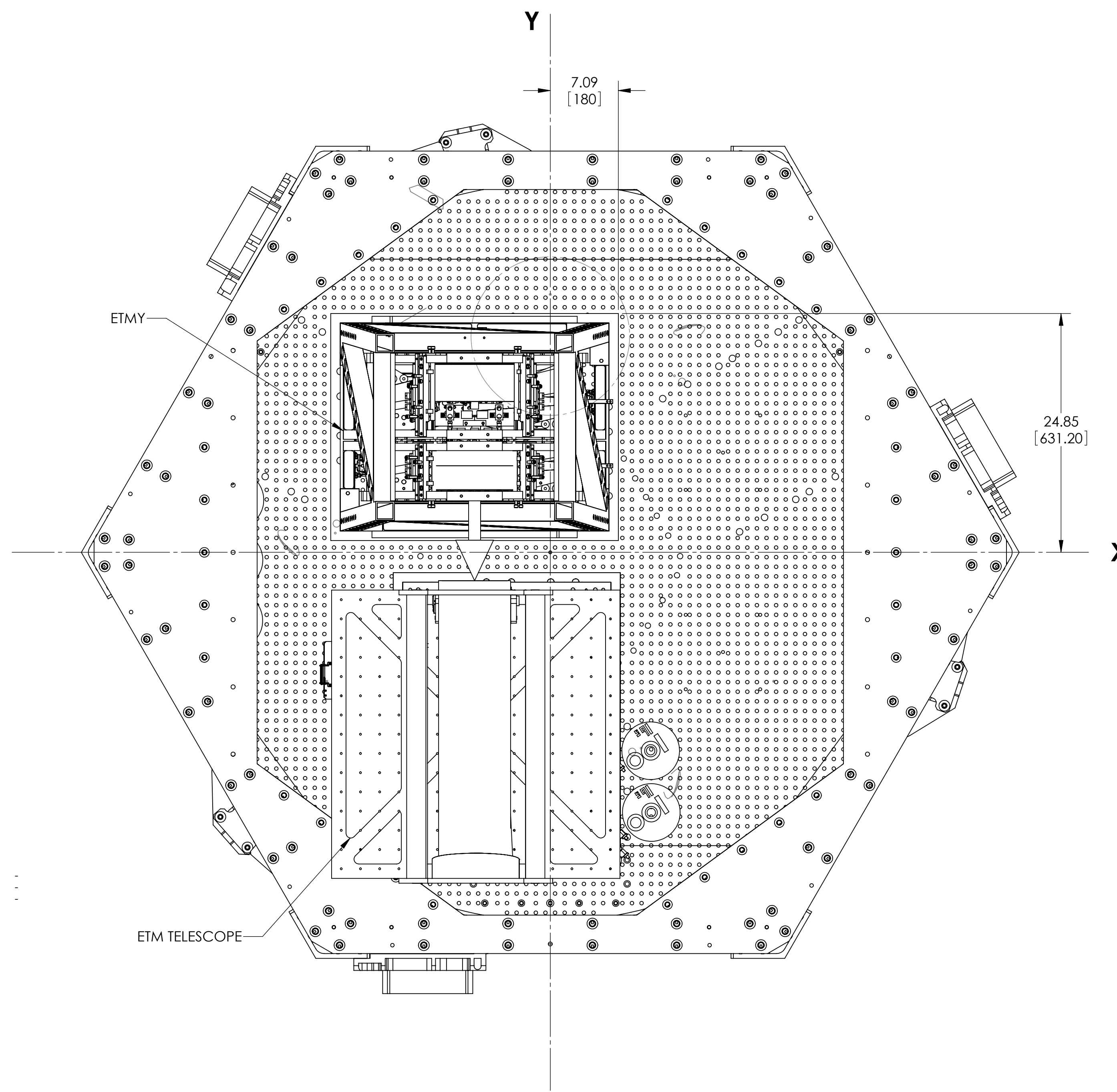
ITEM NO.	PART NUMBER	DESCRIPTION	MATERIAL	FULL/QTY.
5	D0900463	AdvLIGO SUS BSC5-L1, XYZ Local CS for ETM Tel Assy	--	1
4	D0900344	AdvLIGO Systems SEI Table Counterweight Assy	--	1
3	D0900517	AdvLIGO SUS BSC5-L1, XYZ Local CS for ETMY	--	1
2	D0900516	AdvLIGO SEI BSC5-L1, XYZ Local CS for ISI Table	--	1
NOT SHOWN	D0900507	AdvLIGO VE BSC5-L1, Vacuum Equipment Assembly	--	1

PART NAME: **BSC5-L1 Top Level Chamber Assembly, Fully Defined**

DESIGNER	ED CHAVEZ	DATE	02 DEC 2009	SIZE	DWG. NO.	REV.
DRAFTER				D	D0900506	v3
CHECKER						
APPROVAL				SCALE: 1:32	PROJECTION:	SHEET 2 OF 5

D0900506 BSC5-L1 Top Level Chamber Assembly, Complicated II.PART PDM REV: X-01.1 DRAWING PDM REV: X-000

REV.	DATE	DCN #	DRAWING TREE #



BOTTOM VIEW

NOTES AND TOLERANCES: (UNLESS OTHERWISE SPECIFIED)	
DIMENSIONS ARE IN	
TOLERANCES:	
.XX ±	
.XXX ±	
ANGULAR ± °	
MATERIAL	--
FINISH	-- μinch

LIGO CALIFORNIA INSTITUTE OF TECHNOLOGY
MASSACHUSETTS INSTITUTE OF TECHNOLOGY

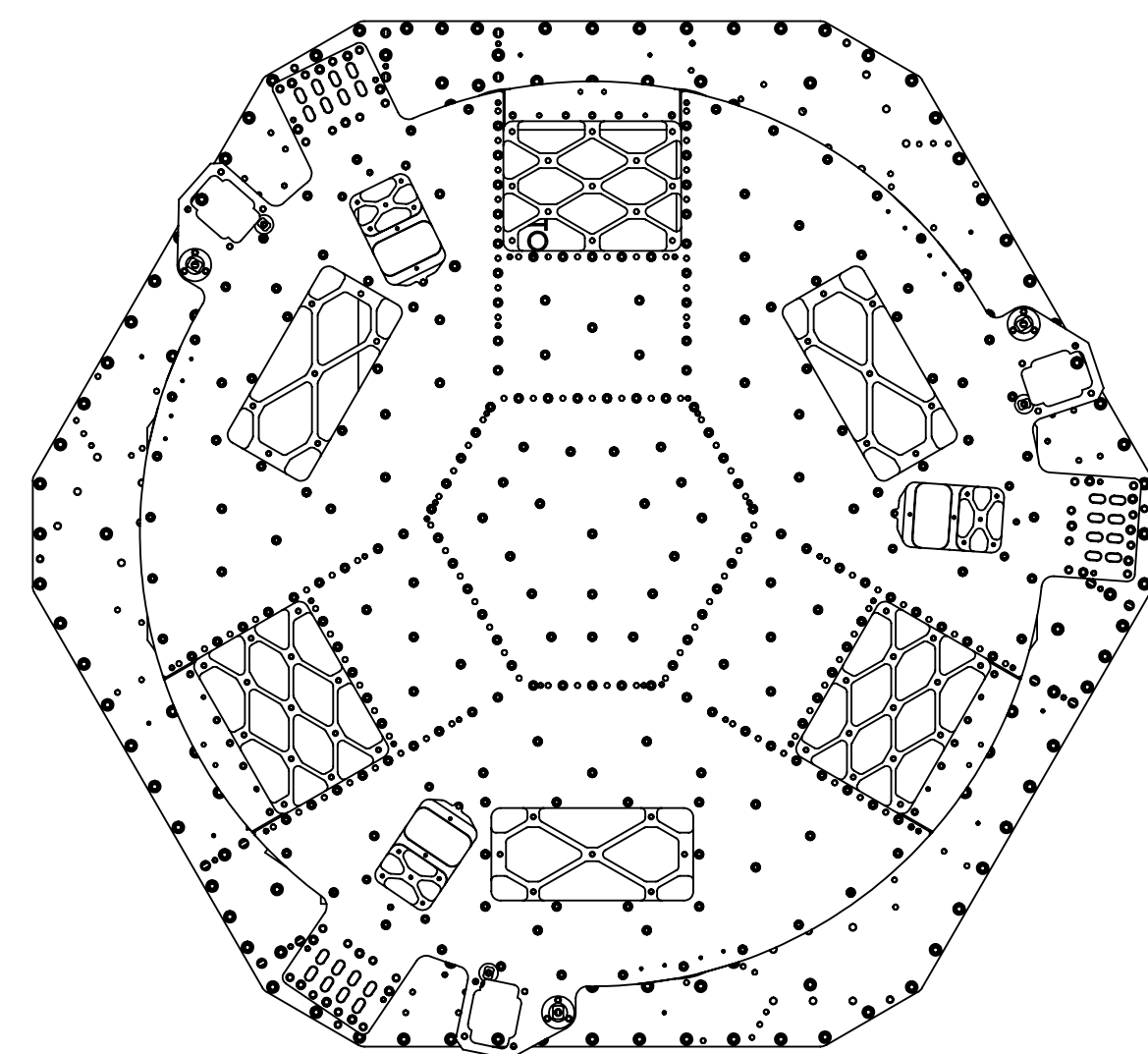
SYSTEM: **ADVANCED LIGO** SUB-SYSTEM: **SUS**

NEXT ASSY

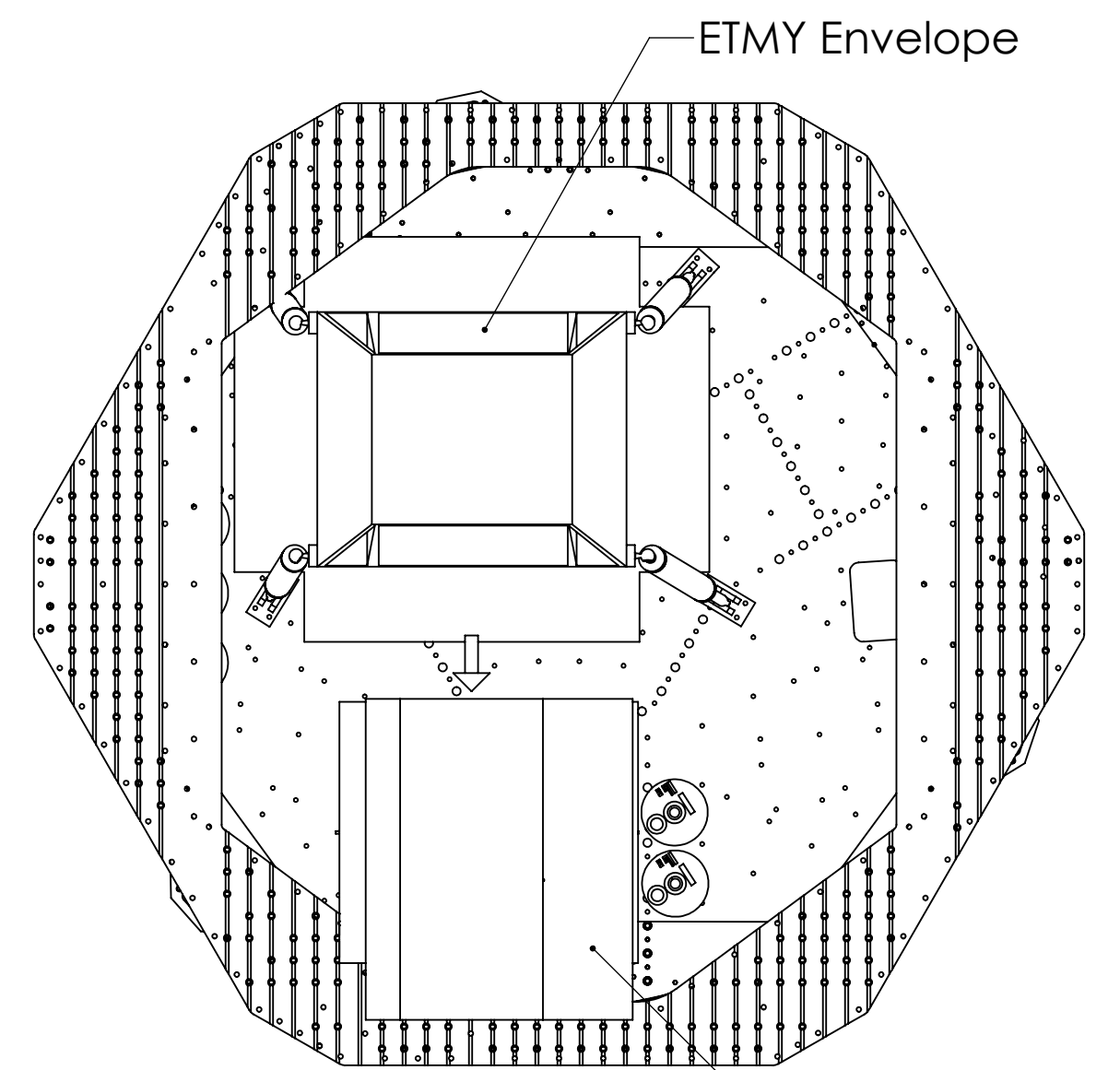
PART NAME		DESIGNER	DATE	SIZE	DWG. NO.	REV.
BSC5-L1 Top Level Chamber Assembly, Fully Defined		ED CHAVEZ	02 DEC 2009	D	D0900506	v3
SCALE: 1:2		PROJECTION:		SHEET 3 OF 5		

DDP00506 BSC5-L1 Top Level Chamber Assembly, Complicated III, PART PDM REV: X-011, DRAWING PDM REV:

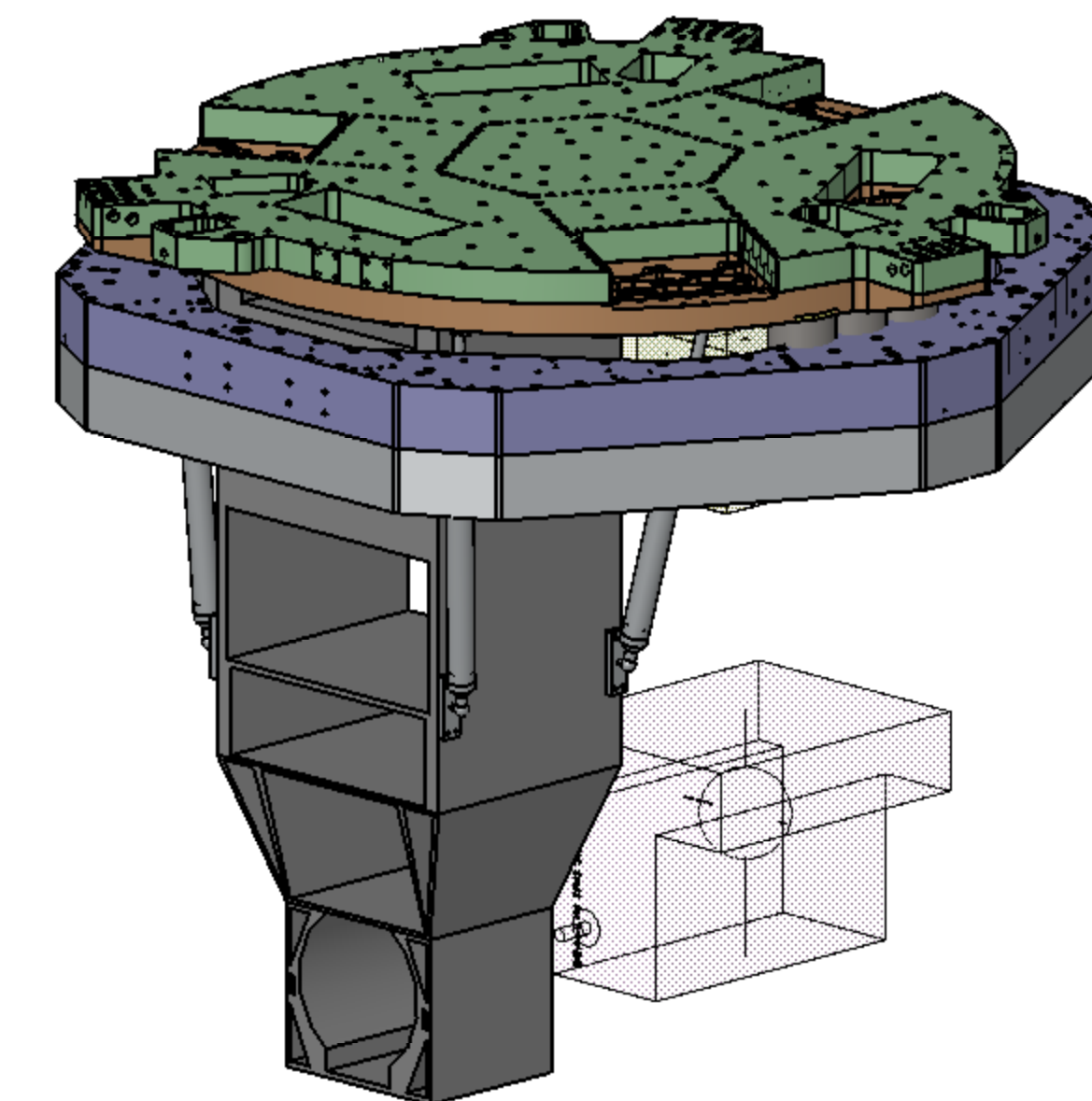
REV.	DATE	DCN #	DRAWING TREE #
-	-	-	-
-	-	-	-
-	-	-	-



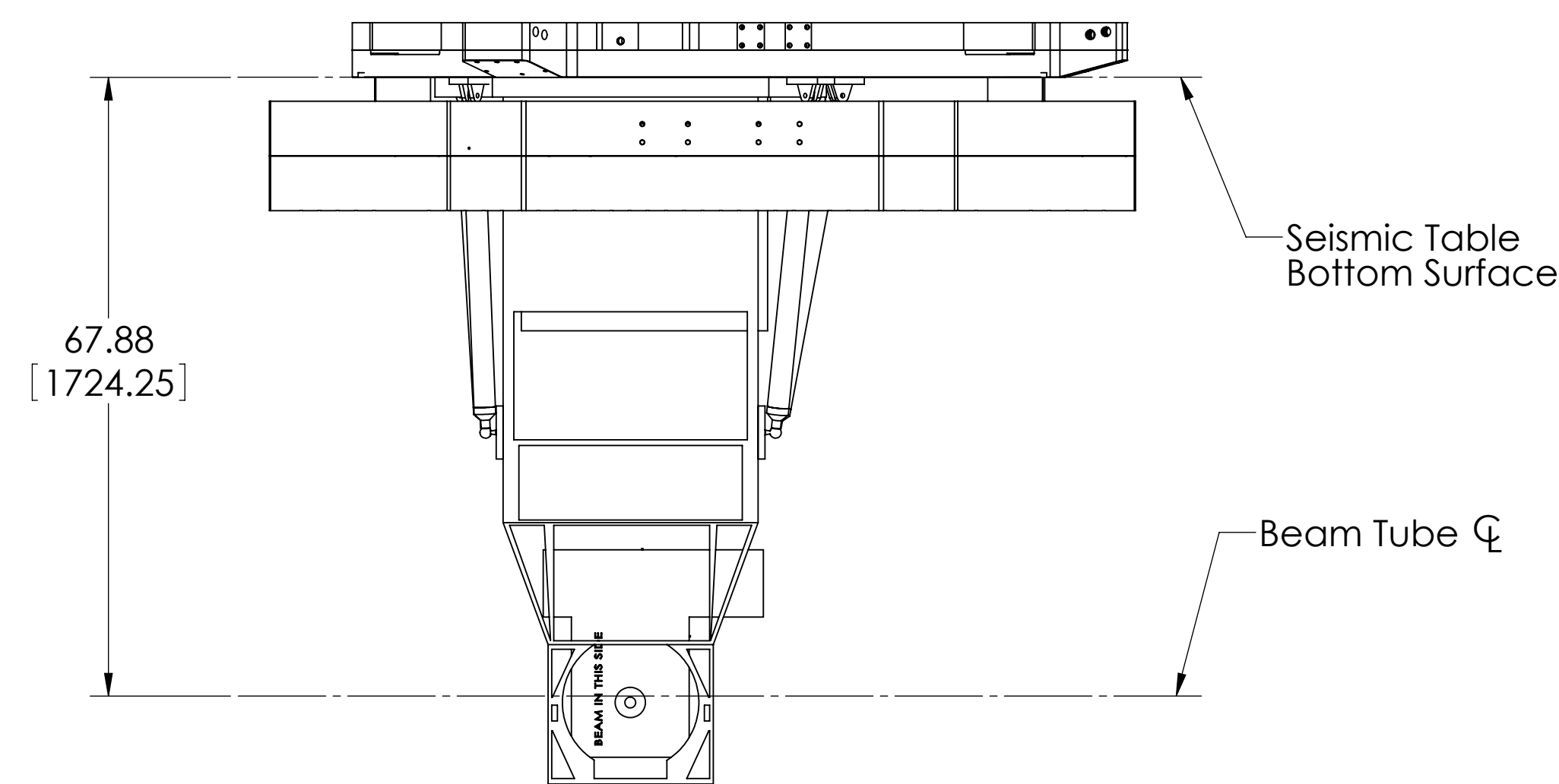
TOP VIEW



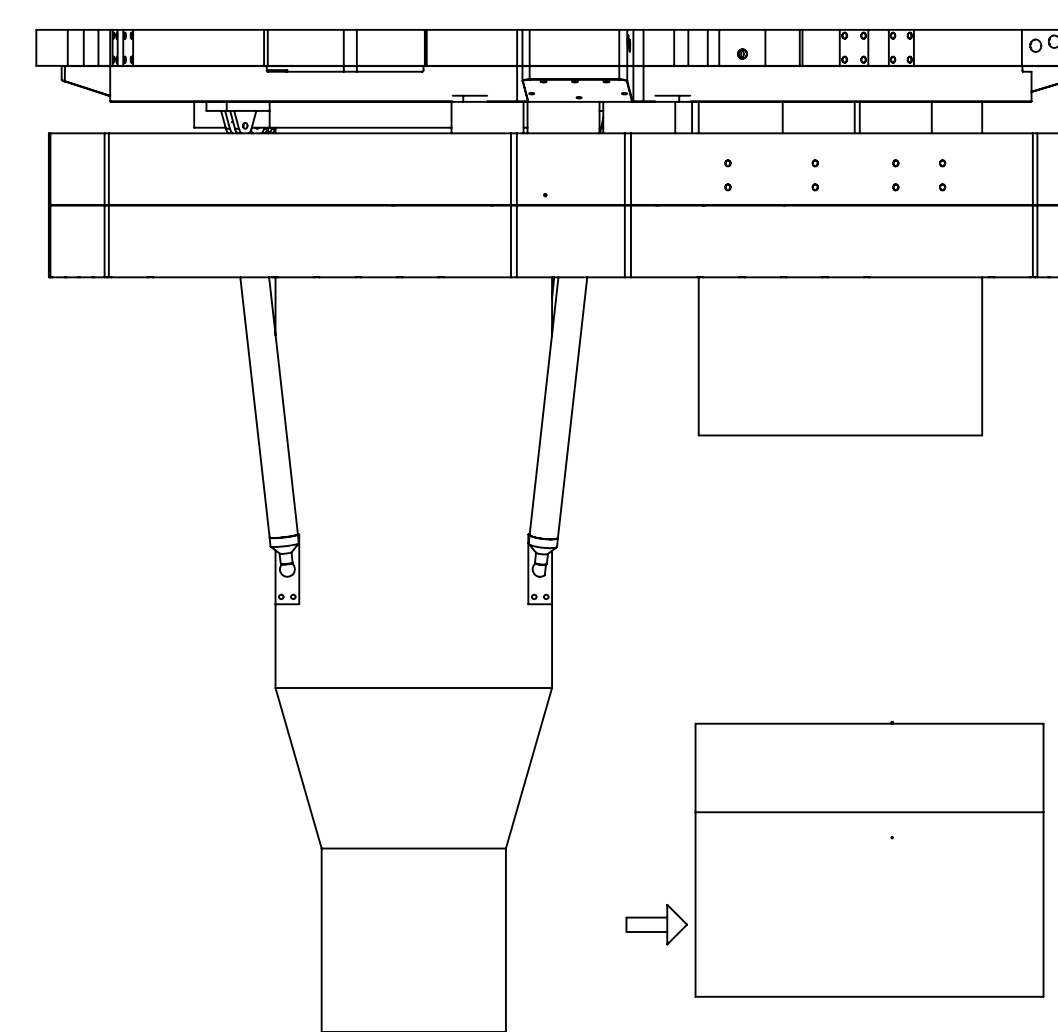
BOTTOM VIEW



**NO SUSPENDED MASS &
NO CHAMBER SHOWN**



FRONT VIEW



RIGHT SIDE VIEW

BSC5-L1	
CofG COORDINATES (mm)	
X	89.1
Y	43.1
Z	1286.5
TABLE MASS W/NO SUS-MASS TOTAL	547.58

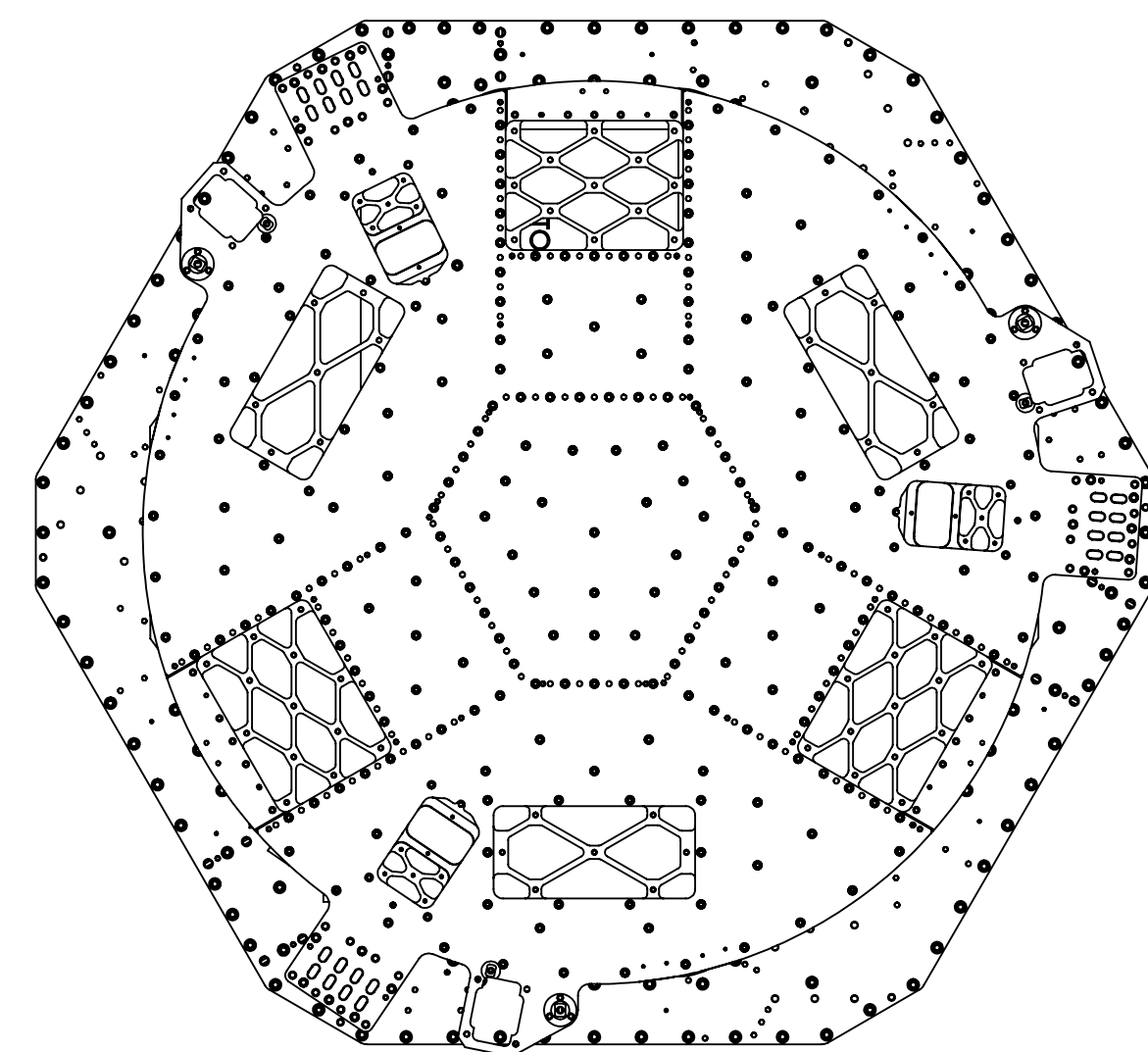
NOTES AND TOLERANCES: (UNLESS OTHERWISE SPECIFIED)	
DIMENSIONS ARE IN INCHES	
TOLERANCES: .XX ± 0.01 .XXX ± 0.005	
ANGULAR ± 0.5°	
MATERIAL	FINISH
--	-- μinch

LIGO CALIFORNIA INSTITUTE OF TECHNOLOGY MASSACHUSETTS INSTITUTE OF TECHNOLOGY	
SYSTEM	SUB-SYSTEM
ADVANCED LIGO	SUS
NEXT ASSY	

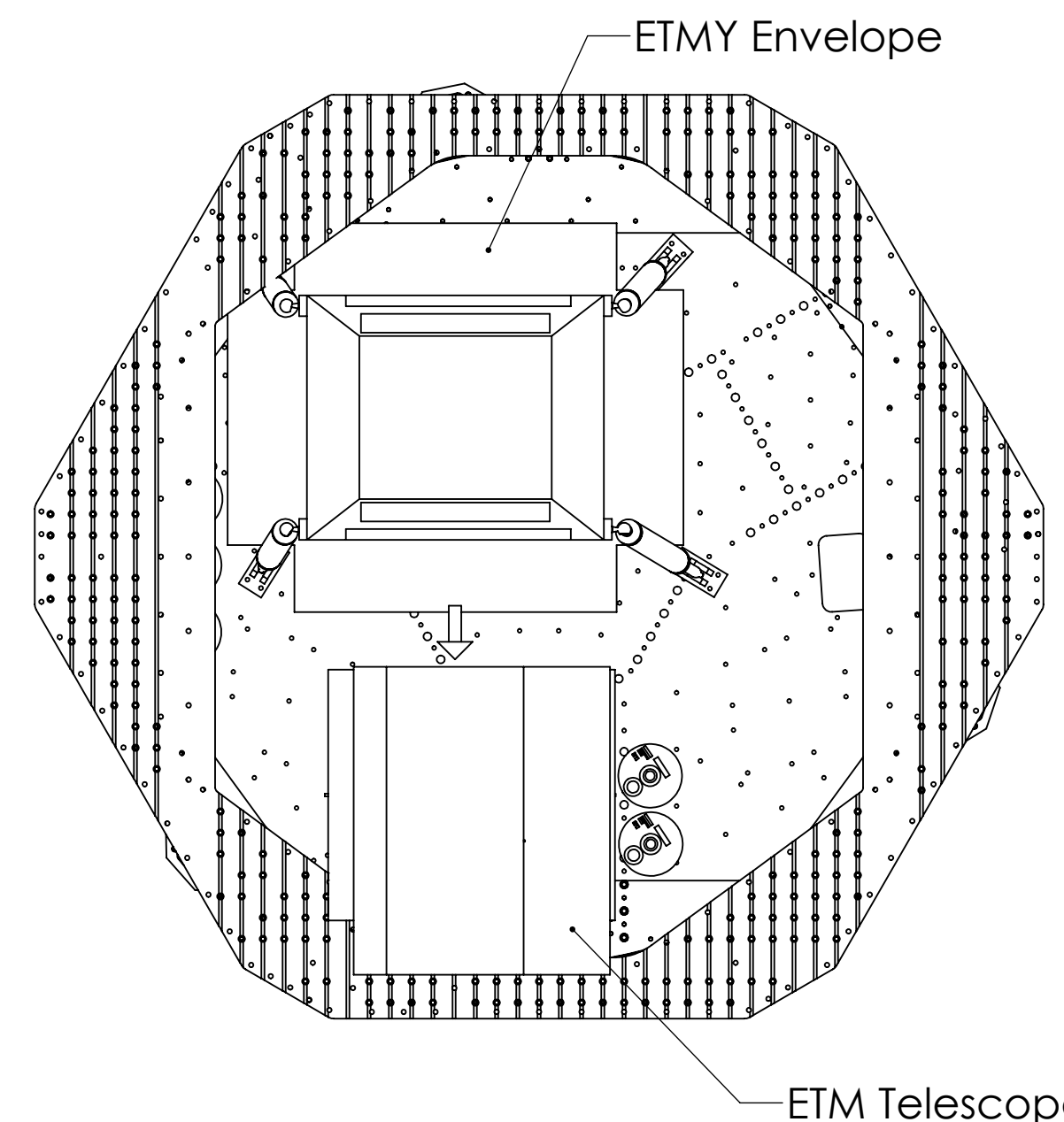
PART NAME			
BSC5-L1 Top Level Chamber Assembly, Simplified			
DESIGNER	SIZE	DWG. NO.	REV.
DRAFTER	ED CHAVEZ	02 DEC 2009	D
CHECKER			D0900506
APPROVAL			v3
SCALE: 1:24		PROJECTION:	SHEET 4 OF 5

D0900506 BSC5-L1 Top Level Chamber Assembly, Simplified - PART PDM REV: X-011, DRAWING PDM REV: X-000

REV.	DATE	DCN #	DRAWING TREE #
-	-	-	-
-	-	-	-
-	-	-	-



TOP VIEW



BOTTOM VIEW

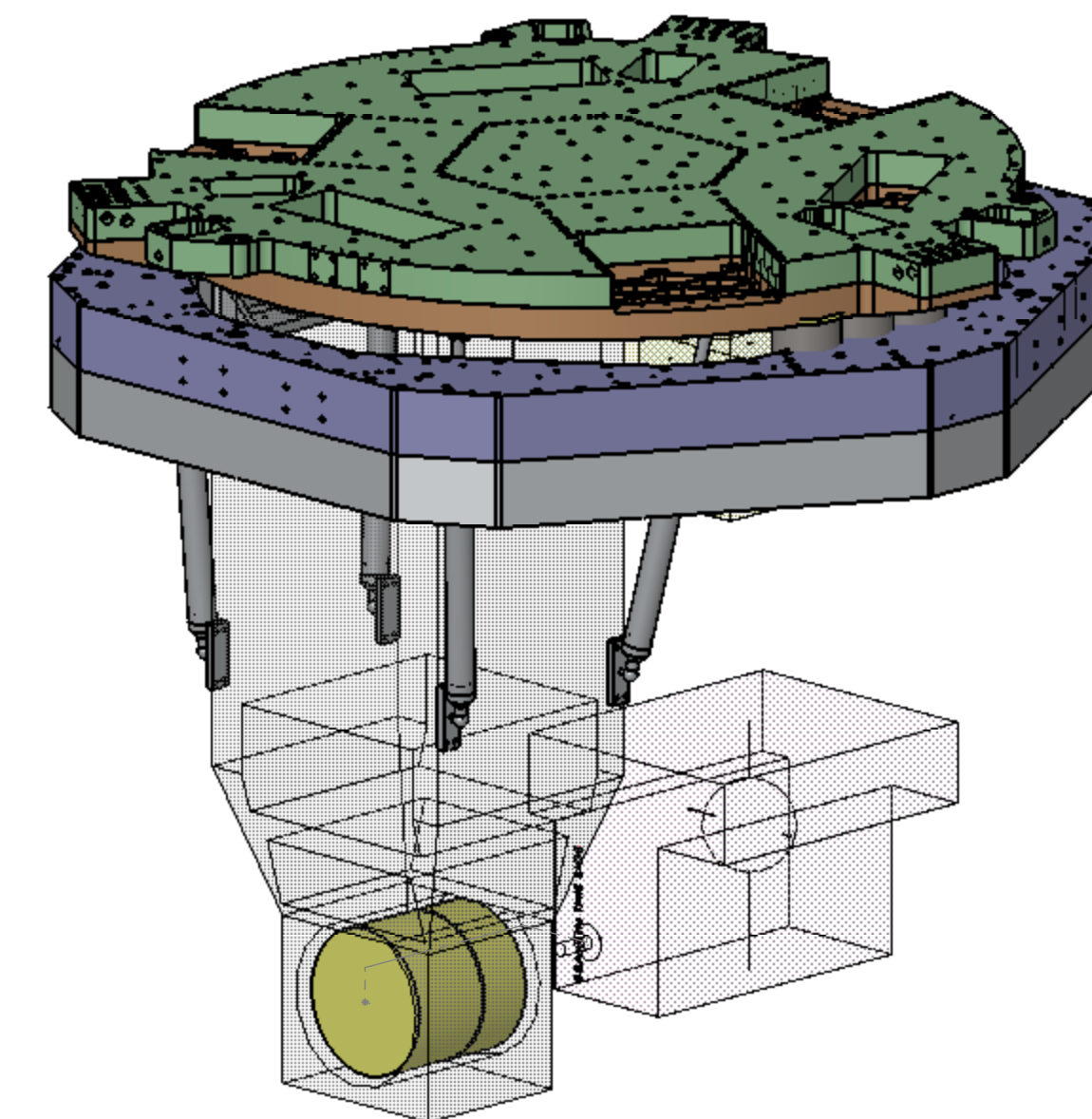
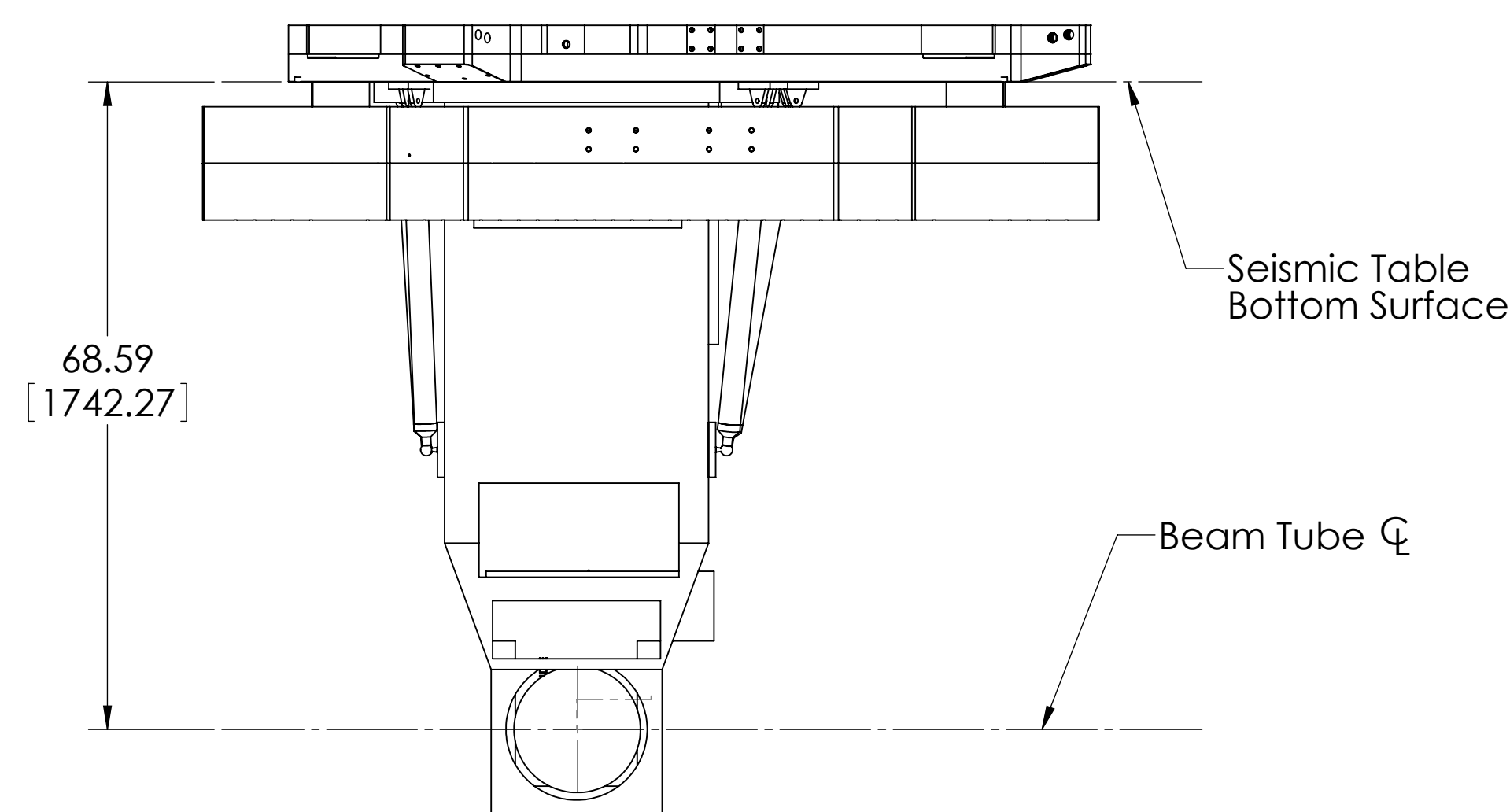
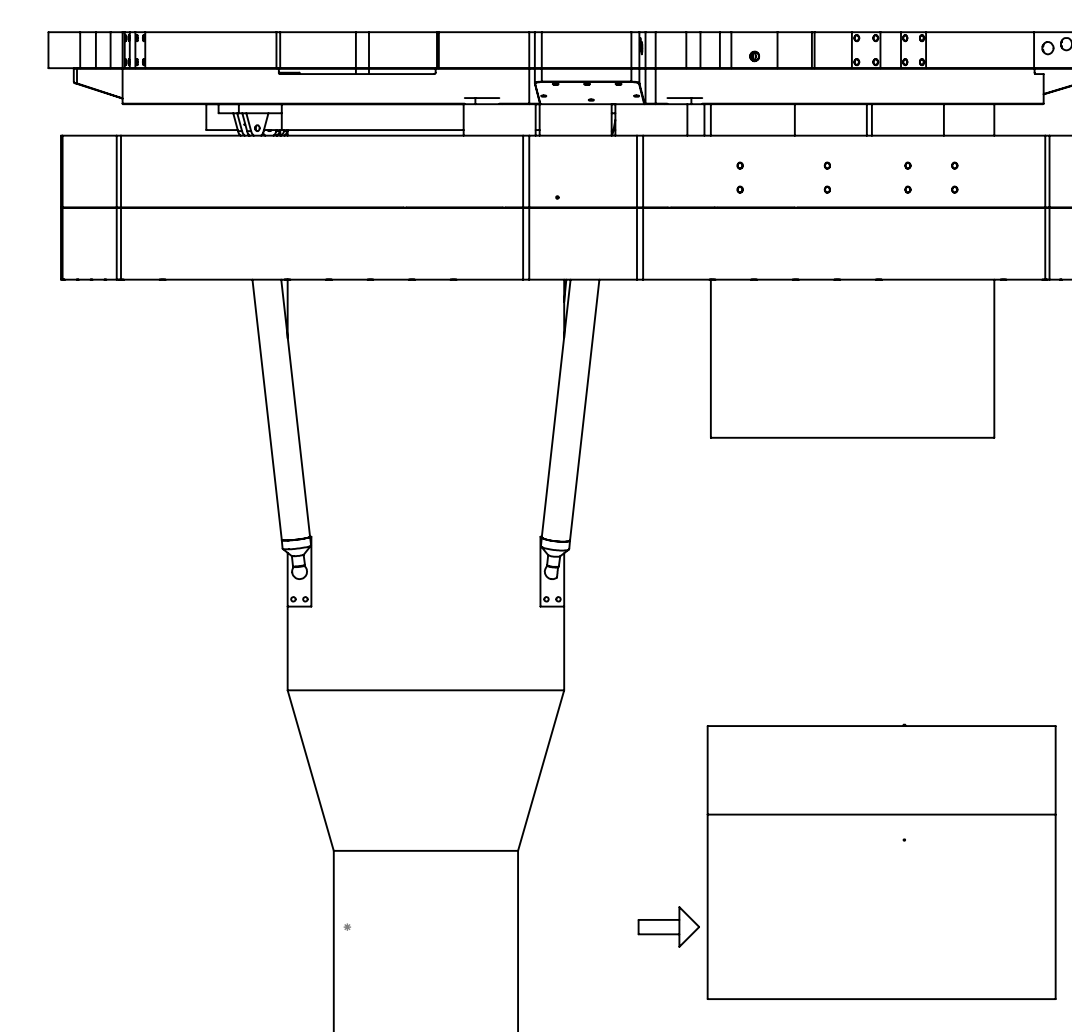


TABLE MASS TOTAL & NO CHAMBER SHOWN



FRONT VIEW



RIGHT SIDE VIEW

BSC5-L1	
CofG COORDINATES (mm)	
X	0.12
Y	-3.65
Z	1035.52
TABLE MASS TOTAL	795.49

NOTES AND TOLERANCES: (UNLESS OTHERWISE SPECIFIED)	
DIMENSIONS ARE IN INCHES	
TOLERANCES: .XX ± 0.01 .XXX ± 0.005	
ANGULAR ± 0.5°	
MATERIAL	FINISH
--	-- μinch

LIGO CALIFORNIA INSTITUTE OF TECHNOLOGY MASSACHUSETTS INSTITUTE OF TECHNOLOGY	
SYSTEM	SUB-SYSTEM
ADVANCED LIGO	SUS
NEXT ASSY	

PART NAME			
BSC5-L1 Top Level Chamber Assembly, Simplified			
DESIGNER	SIZE	DWG. NO.	REV.
DRAFTER	ED CHAVEZ	02 DEC 2009	D
CHECKER			D0900506
APPROVAL			v3
SCALE: 1:24		PROJECTION:	SHEET 5 OF 5

D0900506 BSC5-L1 Top Level Chamber Assembly, Simplified.dwg PART PDM REV: X.011, DRAWING PDM REV: X.000