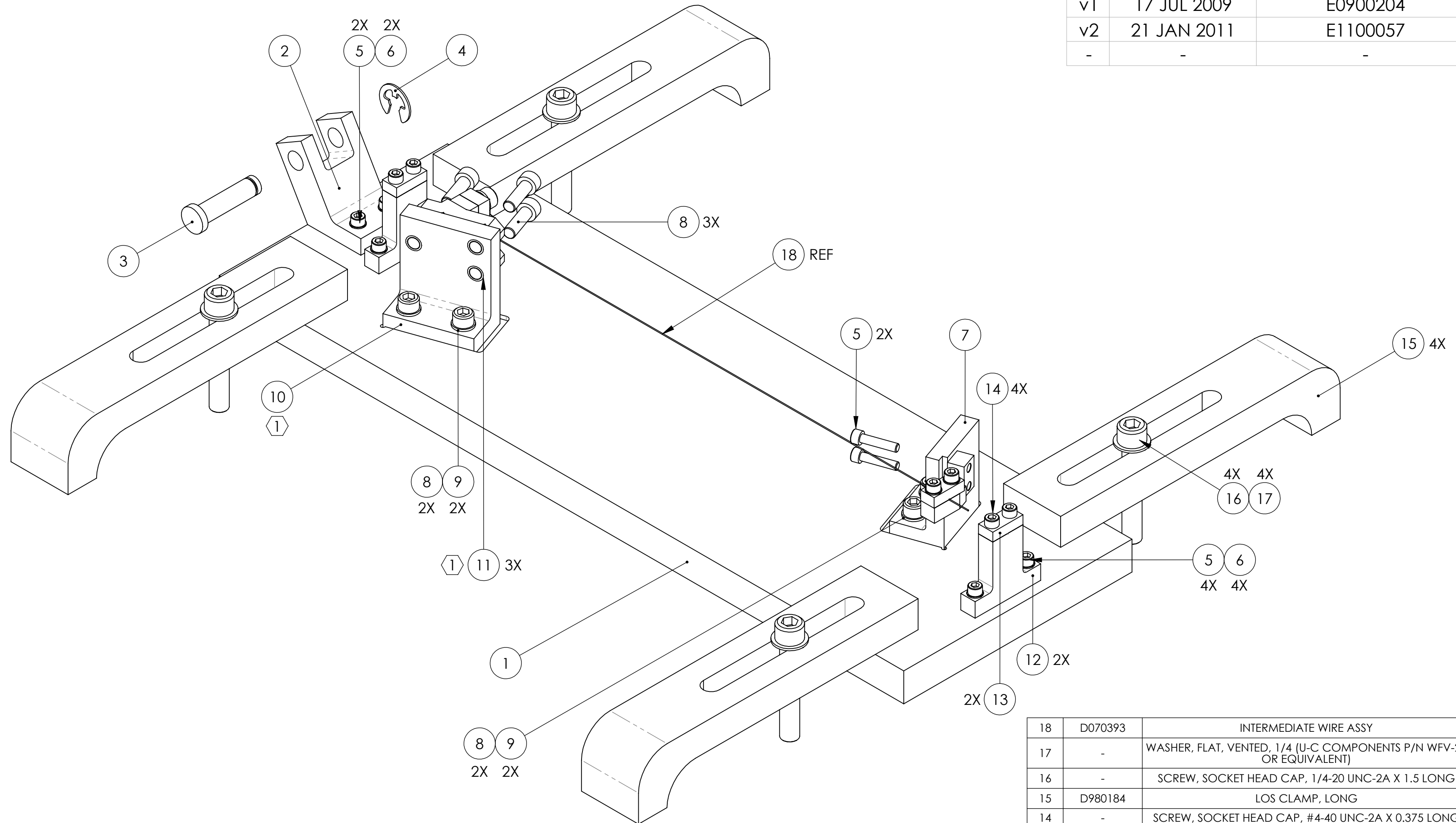


REV.	DATE	DCN #	DRAWING TREE #
v1	17 JUL 2009	E0900204	E080191
v2	21 JAN 2011	E1100057	E080191
-	-	-	-



ITEM NO.	PART NUMBER	DESCRIPTION	MATERIAL	REQ	SPARE	TOTAL
18	D070393	INTERMEDIATE WIRE ASSY	N/A	REF	0	0
17	-	WASHER, FLAT, VENTED, 1/4 (U-C COMPONENTS P/N WFV-25 OR EQUIVALENT)	300 SSSL	4	1	5
16	-	SCREW, SOCKET HEAD CAP, 1/4-20 UNC-2A X 1.5 LONG	300 SSSL	4	1	5
15	D980184	LOS CLAMP, LONG	304, 316 OR 302 SSSL	4	0	4
14	-	SCREW, SOCKET HEAD CAP, #4-40 UNC-2A X 0.375 LONG	Ag-PLATED 300 SSSL	4	1	5
13	D020380	WIRE START CLAMP, OUTSIDE	304, 316 OR 302 SSSL	2	0	2
12	D0900634	WIRE START CLAMP, INSIDE	304, 316 OR 302 SSSL	2	0	2
11	1185-2EN246	HELICOIL, #8-32 X 0.246 LONG (1)	NITRONIC 60	3	2	5
10	D0900632	WIRE CLAMP MOUNT (1)	6061-T6 Al	1	0	1
9	-	WASHER, FLAT, VENTED, #8 (U-C COMPONENTS P/N WFV-08 OR EQUIVALENT)	300 SSSL	4	1	5
8	-	SCREW, SOCKET HEAD CAP, #8-32 UNC-2A X 0.5 LONG	300 SSSL	7	2	9
7	D0900631	BLADE CLAMP MOUNT	6061-T6 Al	1	0	1
6	-	WASHER, FLAT, VENTED, #4 (U-C COMPONENTS P/N WFV-04 OR EQUIVALENT)	300 SSSL	6	2	8
5	-	SCREW, SOCKET HEAD CAP, #4-40 UNC-2A X 0.5 LONG	300 SSSL	8	2	10
4	98408A120	RETAINING RING (MCMASTER-CARR P/N)	300 SSSL	1	1	2
3	92735A230	CLEVIS PIN (MCMASTER-CARR P/N)	300 SSSL	1	1	2
2	D0900563	PIN SUPPORT, WIRE JIG	6061-T6 Al	1	0	1
1	D0900633	BASE PLATE	6061-T6 Al	1	0	1

NOTES AND TOLERANCES: (UNLESS OTHERWISE SPECIFIED)

(1) HELICOILS TO BE INSTALLED INTO ITEM NO. 10 BY LIGO PRIOR TO ASSEMBLY AND AFTER ALL PARTS ARE CLEANED AND BAKED.

2. THIS JIG TO BE USED IN THE ASSEMBLY OF D070393 HLTS INTERMEDIATE WIRE ASSEMBLY AS DESCRIBED IN E080208 HLTS ASSEMBLY SPECIFICATION.

MATERIAL N/A

FINISH N/A μinch

LIGO CALIFORNIA INSTITUTE OF TECHNOLOGY MASSACHUSETTS INSTITUTE OF TECHNOLOGY

SYSTEM ADVANCED LIGO **SUB-SYSTEM** SUS

NEXT ASSY HLTS OVERALL ASSY AND FIXTURES

PART NAME INTERMEDIATE WIRE JIG ASSY, HLTS

DESIGNER D. BRIDGES 31 JAN 2011 **SIZE** DWG. NO. **REV.** v2

DRAFTER D. BRIDGES 31 JAN 2011 **c** **D0900630**

CHECKER B. MOORE 01 FEB 2011

APPROVAL **SCALE:** 1:1 **PROJECTION:** **SHEET 1 OF 1**