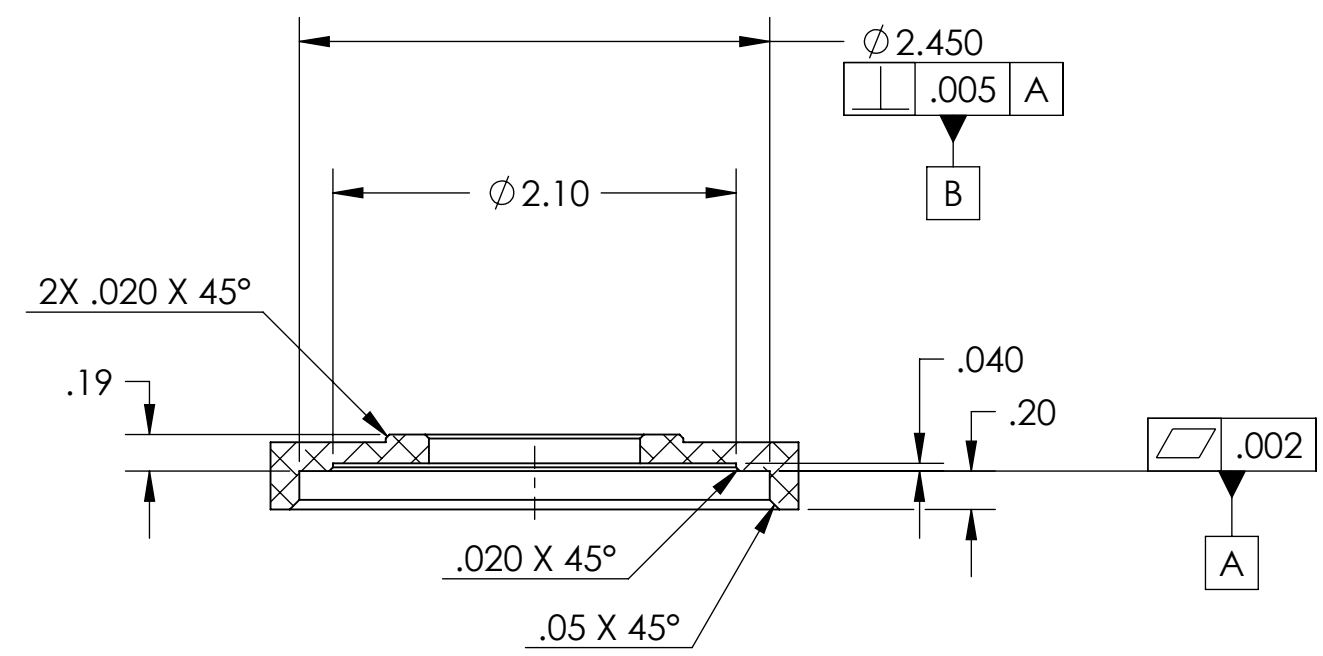
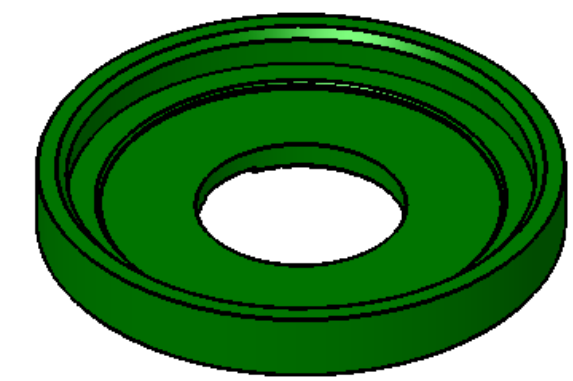
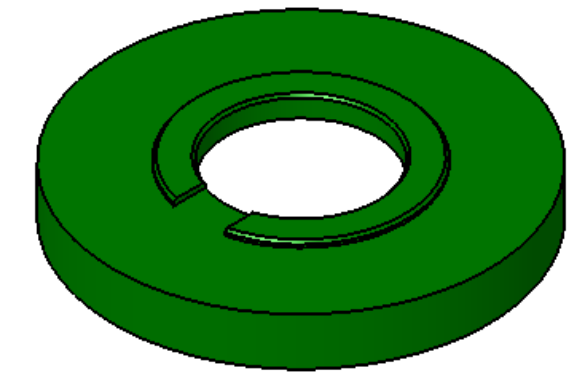
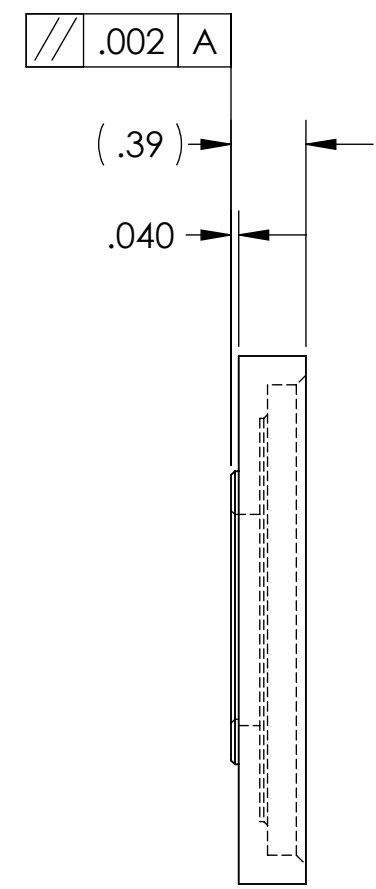
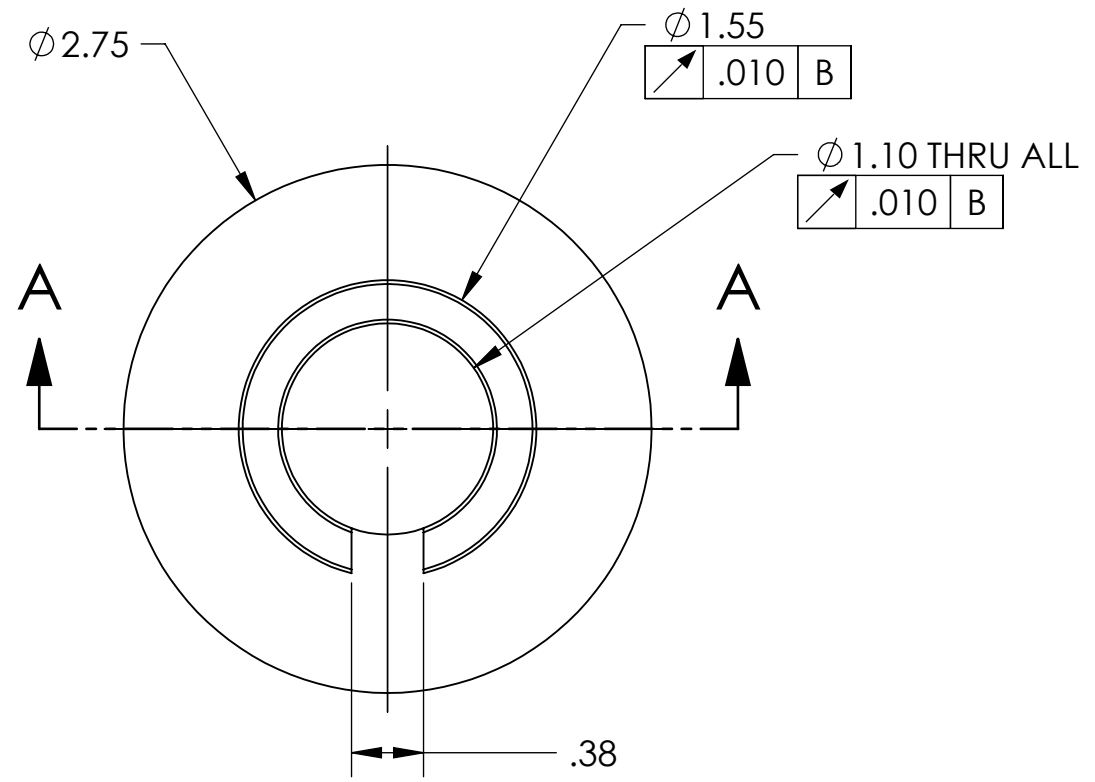


D0900706\_Sensor\_Alignment\_Disc-HAM\_ISI, PART PDM REV: V1-002, DRAWING PDM REV: V1-003

**NOTES CONTINUED:**  
**POST-MANUFACTURING NOTES:**  
 P1. CLEAN TO LIGO STANDARDS, CLASS B (PER E0900047 AND E960022).

REV.	DATE	DCN #	DRAWING TREE #
V1	06 May 2009	-	-
V2	07 Jul 2011	-	-
V3	11 Jul 2011	-	-



SECTION A-A

Mass = 0.09 lbs

NOTES AND TOLERANCES: (UNLESS OTHERWISE SPECIFIED)				LIGO		PART NAME	
DIMENSIONS ARE IN INCHES TOLERANCES: .XX ± .015 .XXX ± .005 ANGULAR ± 0.5°				CALIFORNIA INSTITUTE OF TECHNOLOGY MASSACHUSETTS INSTITUTE OF TECHNOLOGY		<b>Sensor Alignment Disc, HAM ISI</b>	
1. INTERPRET DRAWING PER ASME Y14.5-1994. 2. REMOVE ALL SHARP EDGES, R.02 MIN. 3. DO NOT SCALE FROM DRAWING. 4. ALL MACHINING FLUIDS SHALL BE WATER SOLUBLE AND FREE OF SULFUR, CHLORINE AND SILICONE, SUCH AS CINCINNATI MILACRON'S CIMTECH 410.				<b>ADVANCED LIGO</b>		<b>SEI</b>	
MATERIAL: 6061-T6 Al				FINISH: 63 μinch		NEXT ASSY: D0900124	
DESIGNER: A. Stein DRAFTER: A. Stein CHECKER: APPROVAL: A. Stein		DATE: 23 Apr 2009 DATE: 30 Apr 2009 DATE: 06 May 2009		SIZE: B DWG. NO.: D0900706 SCALE: 1:1		REV.: v3 SHEET 1 OF 1	