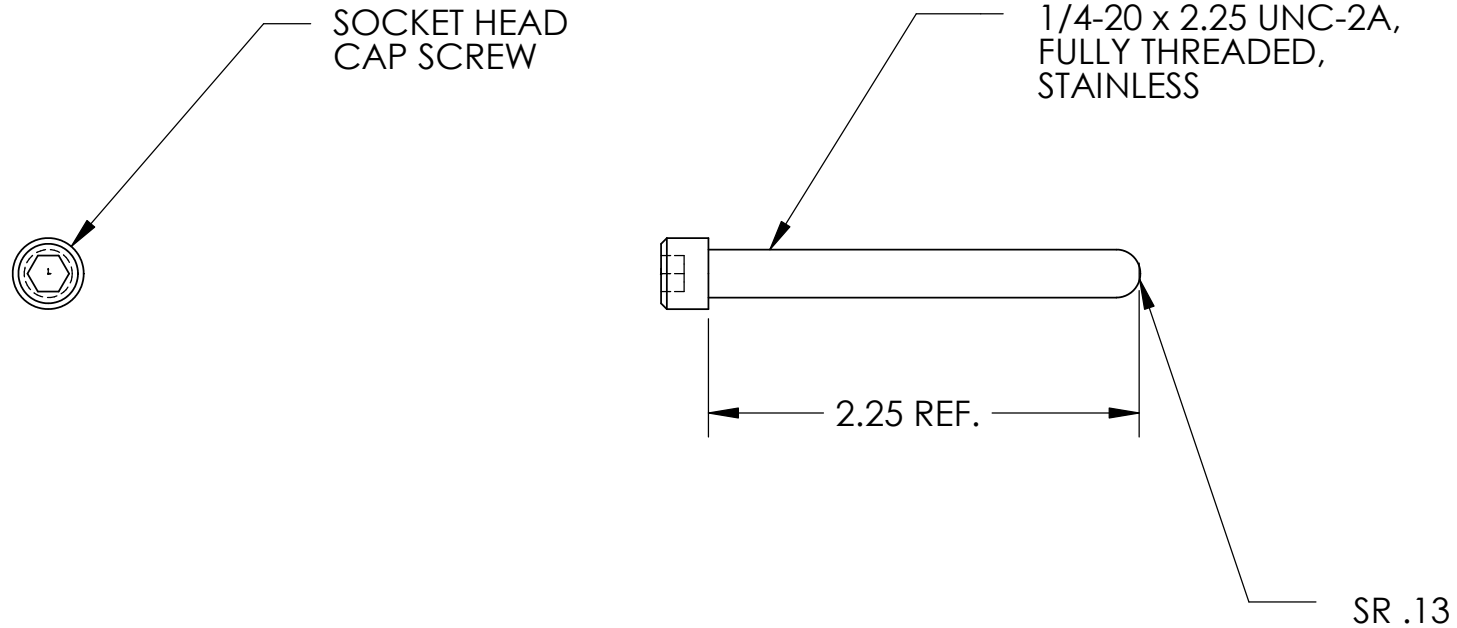




REV.	DATE	DCN #	DRAWING TREE #
A	7/04	F040303-00	E030507-A



Rounded\_SHCS.step

NOTES: (UNLESS OTHERWISE SPECIFIED) 1. DIMENSIONS IN INCHES. 2. REMOVE ALL SHARP EDGES, R.02 MIN. 3. ALL MACHINING FLUIDS SHALL BE WATER SOLUBLE AND FREE OF SULFUR, CHLORINE AND SILICONE, SUCH AS CINCINNATI MILACRON'S CIMTECH 410 (STAINLESS STEEL)	DRAWN	J.ROMIE	DATE	1/03	 <b>CALIFORNIA INSTITUTE OF TECHNOLOGY</b> <b>MASSACHUSETTS INSTITUTE OF TECHNOLOGY</b>	
	CHECKED					
	DIMENSIONS ARE IN INCHES TOLERANCES: .XX ± -0.01 .XXX ± -0.005 ANGULAR ± -0.5°					<b>SYSTEM</b> ADVANCED LIGO <b>SUB-SYSTEM</b> SUS <b>NEXT ASSY</b> MODE CLEANER SUS <b>PART NAME</b> STAINLESS SHCS, 1/4-20 X 2.25, ROUNDED END
	MATERIAL <b>300 SERIES STAINLESS</b> FINISH	SIZE <b>A</b>	DWG. NO. <b>D030022</b>	REV. <b>A</b>	SCALE: NTS PROJECTION: 	SHEET 1 OF 1