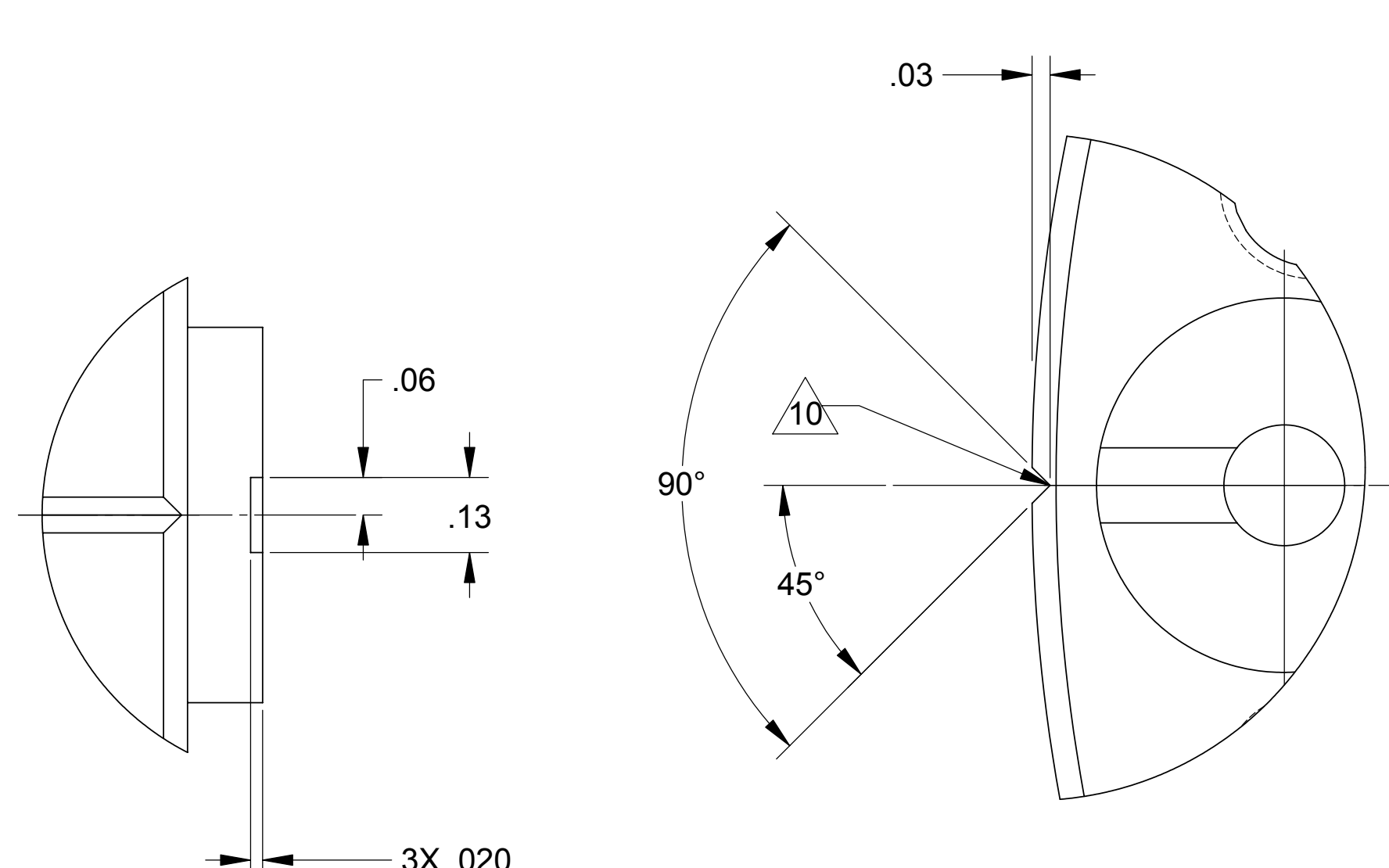
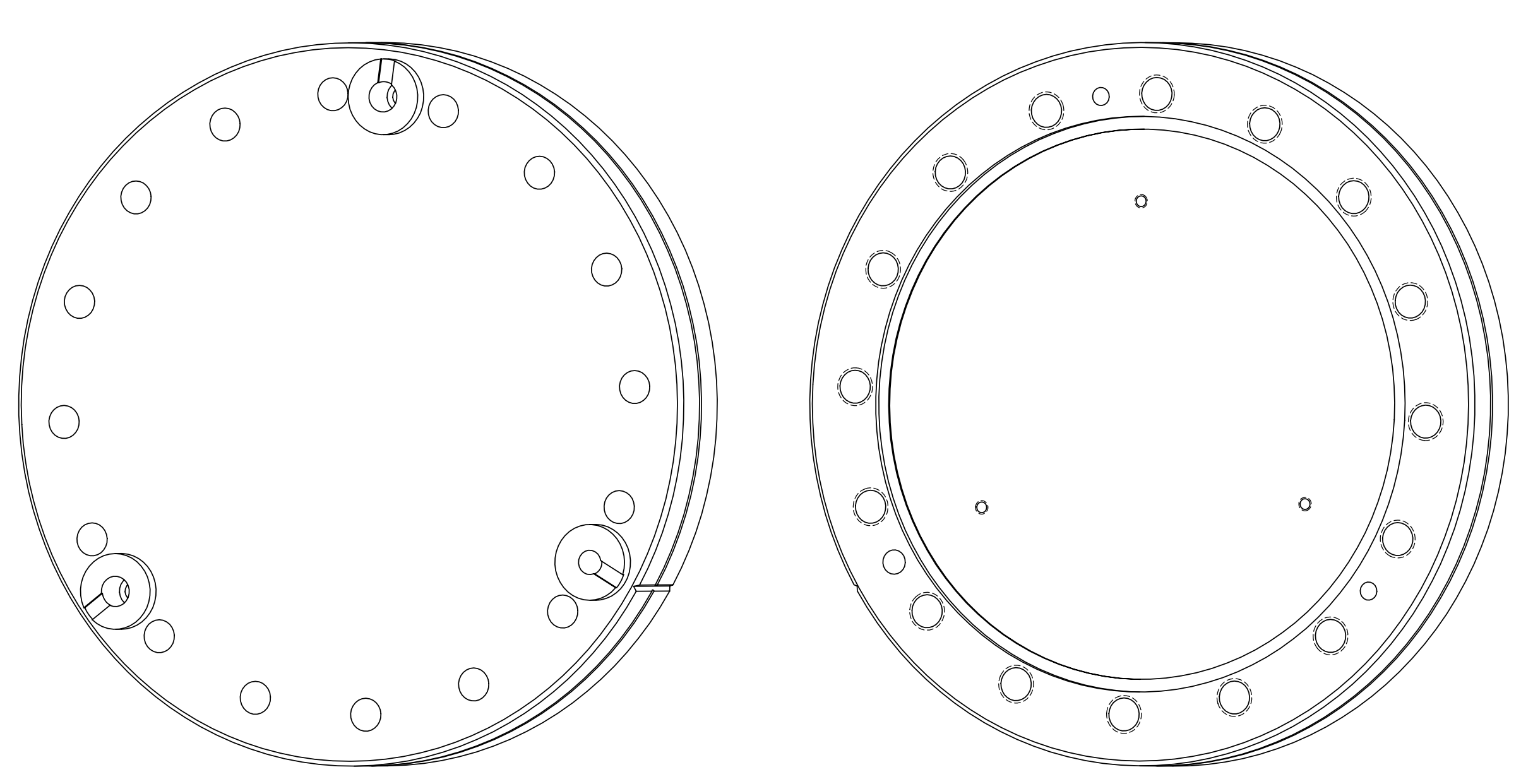
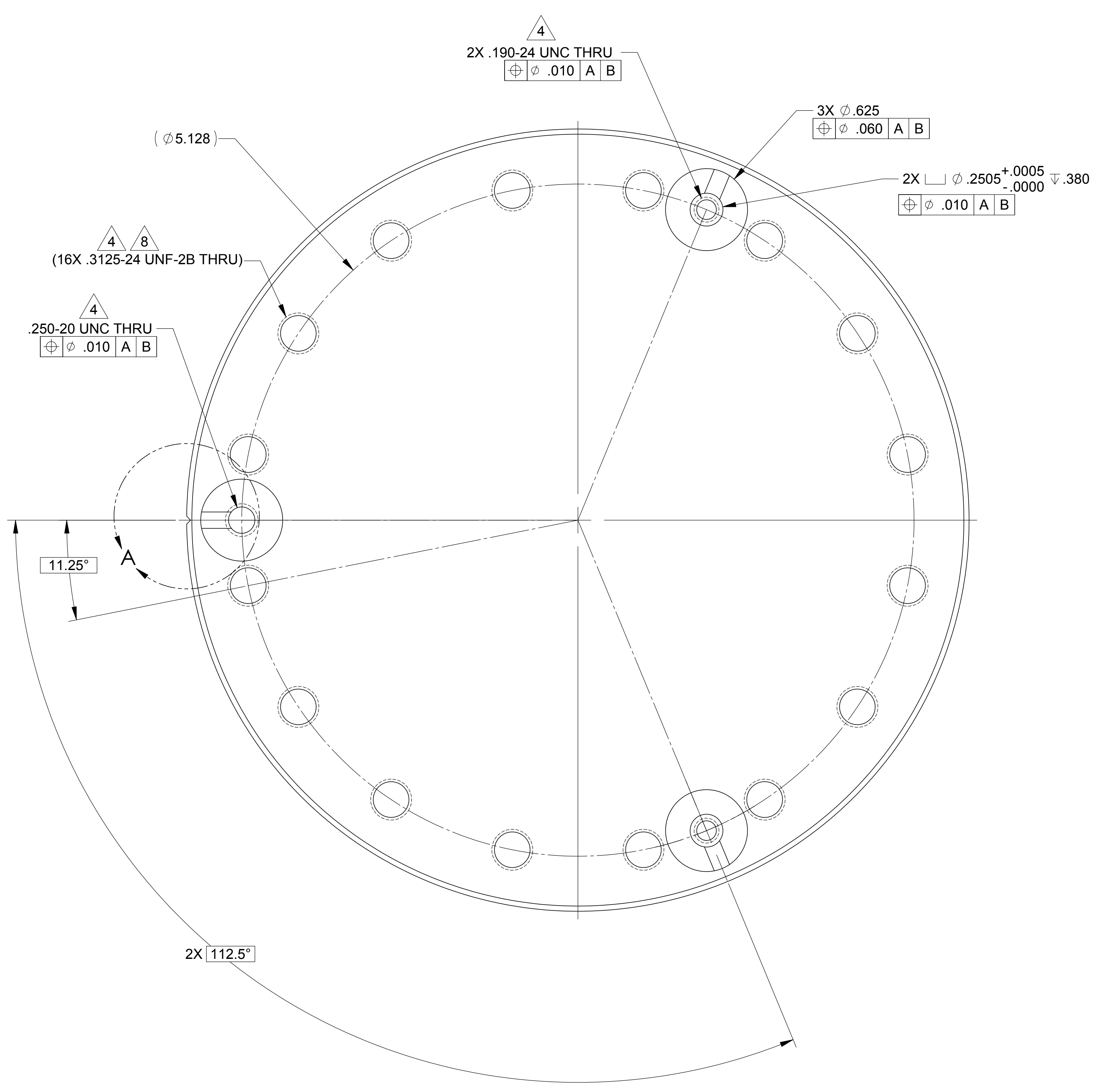
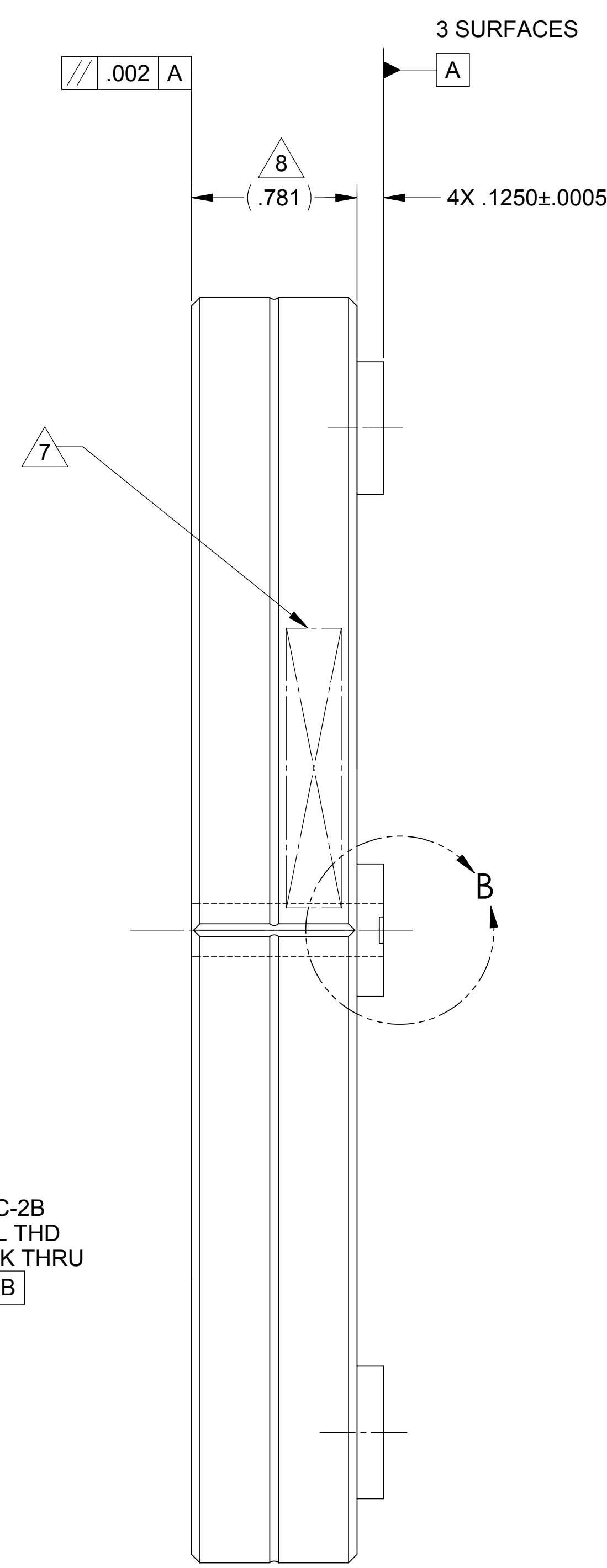
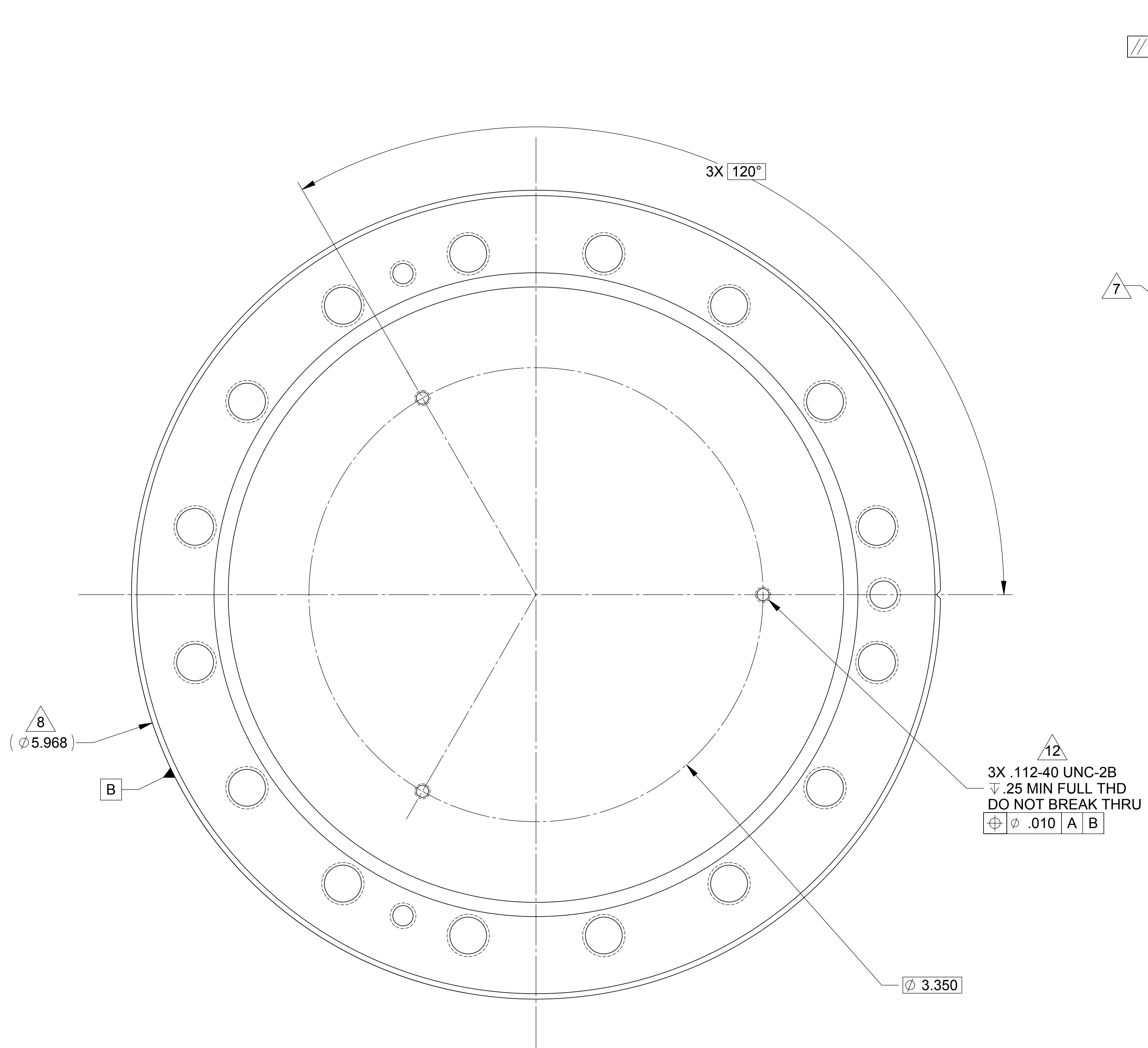


LTR		REVISIONS										
ZONE	DESCRIPTION	DWN	CHK	P-ENG	CONF	ME	STRS	MATL	PROJ	QA	RELEASE DATE	
A	INITIAL RELEASE											



- NOTES: UNLESS OTHERWISE SPECIFIED.
- ALL PARTS SHALL BE MANUFACTURED IN ACCORDANCE WITH ASI SPECIFICATION 20008225 (LIGO E048225).
  - REMOVE ALL BURRS AND SHARP EDGES .005-.015.
  - MACHINE FILLET RADII .003-.015.
  - THREADED HOLES SHALL BE PRODUCED TO A .004-.006 OVERSIZE CONDITION ON THE PITCH DIAMETER. THIS DOES NOT APPLY TO THREADED INSERT HOLES.
  - COUNTERSINK 82° ALL TAPPED HOLES TO MAJOR DIAMETER +.015/-0.00.
  - COUNTERSINK 82° ALL DRILLED HOLES .015-.030 DEEP BOTH SIDES.
  - MARK PART AND SERIAL NUMBER IN LOCATION APPROXIMATELY SHOWN USING 0.13 INCH HIGH CHARACTERS IN ACCORDANCE WITH 200006886, TYPE I, CLASS 4, 5, OR 6. SERIAL NUMBERS START AT 001 FOR FIRST PART AND PROCEED CONSECUTIVELY. PARTS TOO SMALL TO MARK SHALL BE IDENTIFIED IN ACCORDANCE WITH 20006886, TYPE II.
  - FEATURES THAT ARE REFERENCED OR UNDIMENSIONED SHALL CONFORM TO NOR-CAL PRODUCTS PART NUMBER 600-000NT.

- REFERENCE MATING PART DRAWING 20007823.
- PHYSICAL CONFIGURATION OF VISUAL CLOCKING AID MAY VARY AT MANUFACTURERS OPTION BUT SHALL BE LOCATED AS SPECIFIED.
- RECORD WEIGHT TO NEAREST 0.1 LB ON INSPECTION REPORT AFTER FINAL MACHINING. ESTIMATED WEIGHT IS 5.8 LBS.
- NOTE 4 DOES NOT APPLY.

20007822-1		PARTS LIST										
QTY	REGD	ITEM NO	REF DES	CAGE NO	PART OR IDENTIFYING NO	NOMENCLATURE OR DESCRIPTION	SPECIFICATION	MATERIAL OR NOTE	ZONE			

UNLESS OTHERWISE SPECIFIED DIMENSIONS ARE IN INCHES

TOLERANCES

DECIMALS ANGLES

.XX ±.03 .XXX ±.010 ±12°

MACHINE FINISH 63

DO NOT SCALE DRAWING INTERPRET DWG PER ASME Y14.5M - 1994

MATERIAL

304 CRES - ARGON OXYGEN DECARBURIZATION PER ASTM-240

**RELEASED**  
2/4/2005

ALLIANCE SPACESYSTEMS, INC.  
1250 Lincoln Ave., Suite 100  
Pasadena, CA 91103

**BASEPLATE, CF FLANGE L4-C SEISMOMETER LIGO-D047822-A**

SCALE: 2:1

UNCLASSIFIED SHEET 1 OF 1

THIS DOCUMENT MAY CONTAIN ITAR CONTROLLED INFORMATION AND/OR COMMERCE CONTROLLED INFORMATION EXPORT RESTRICTIONS MAY APPLY