

A

A

B

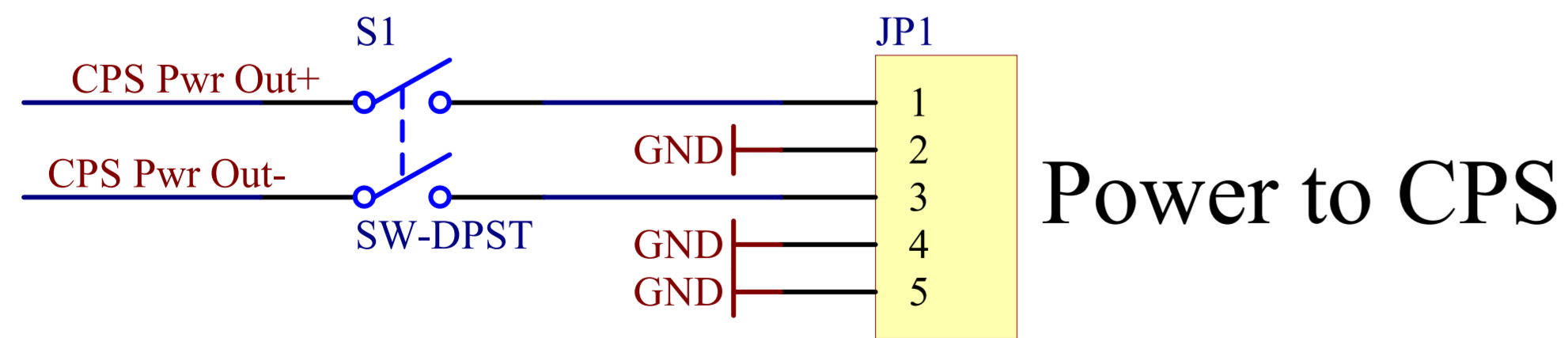
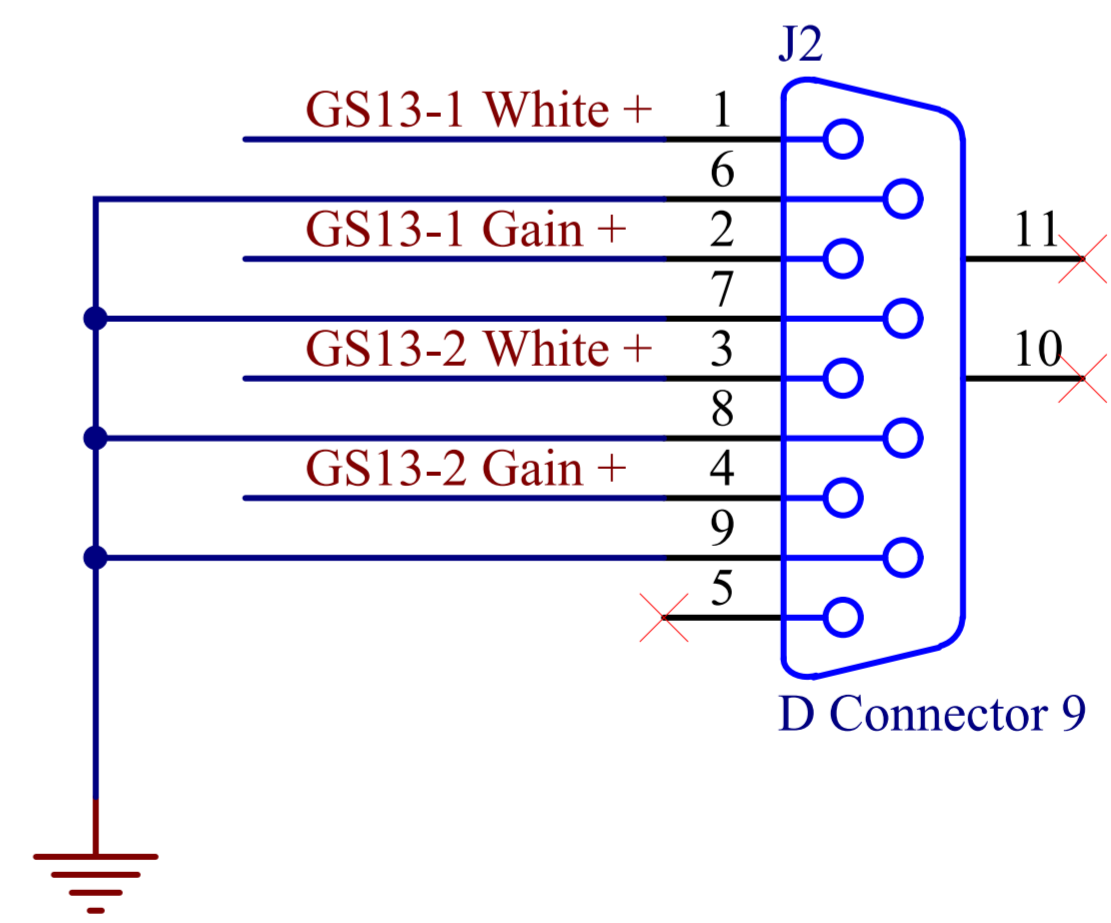
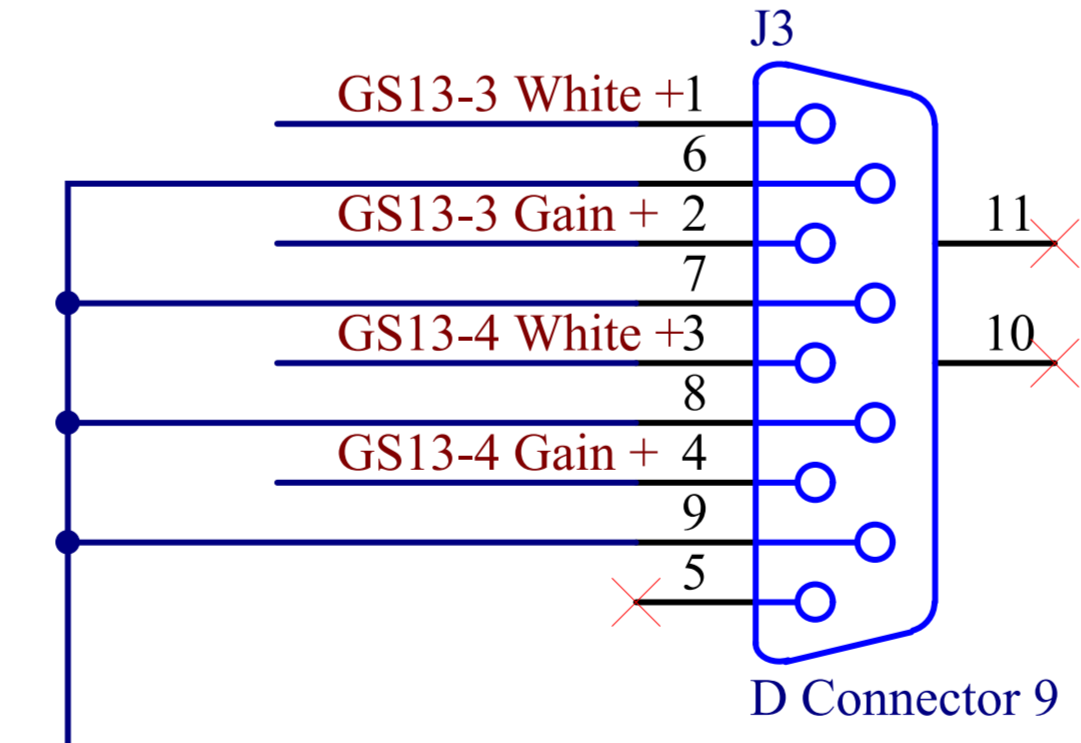
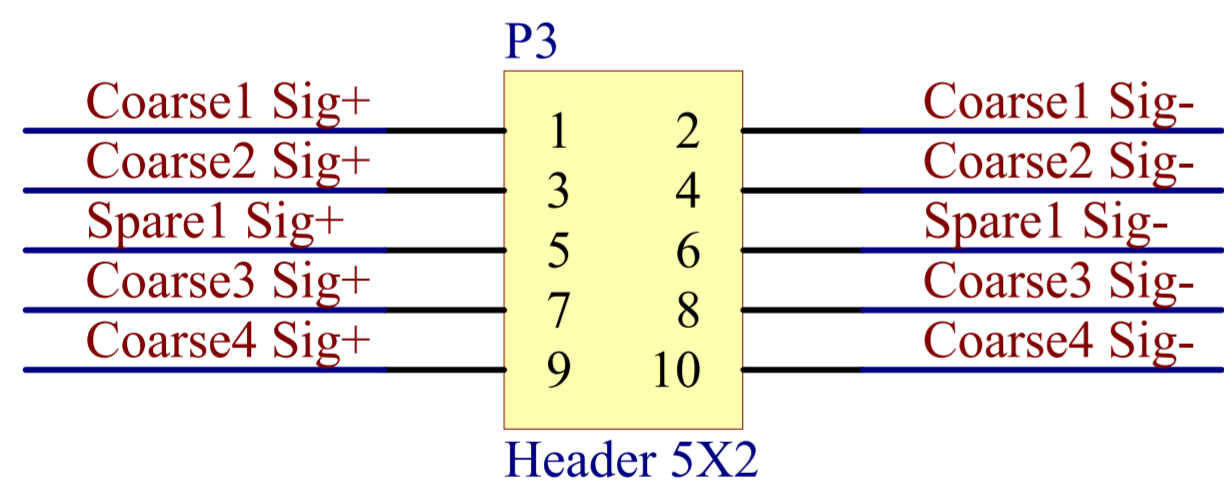
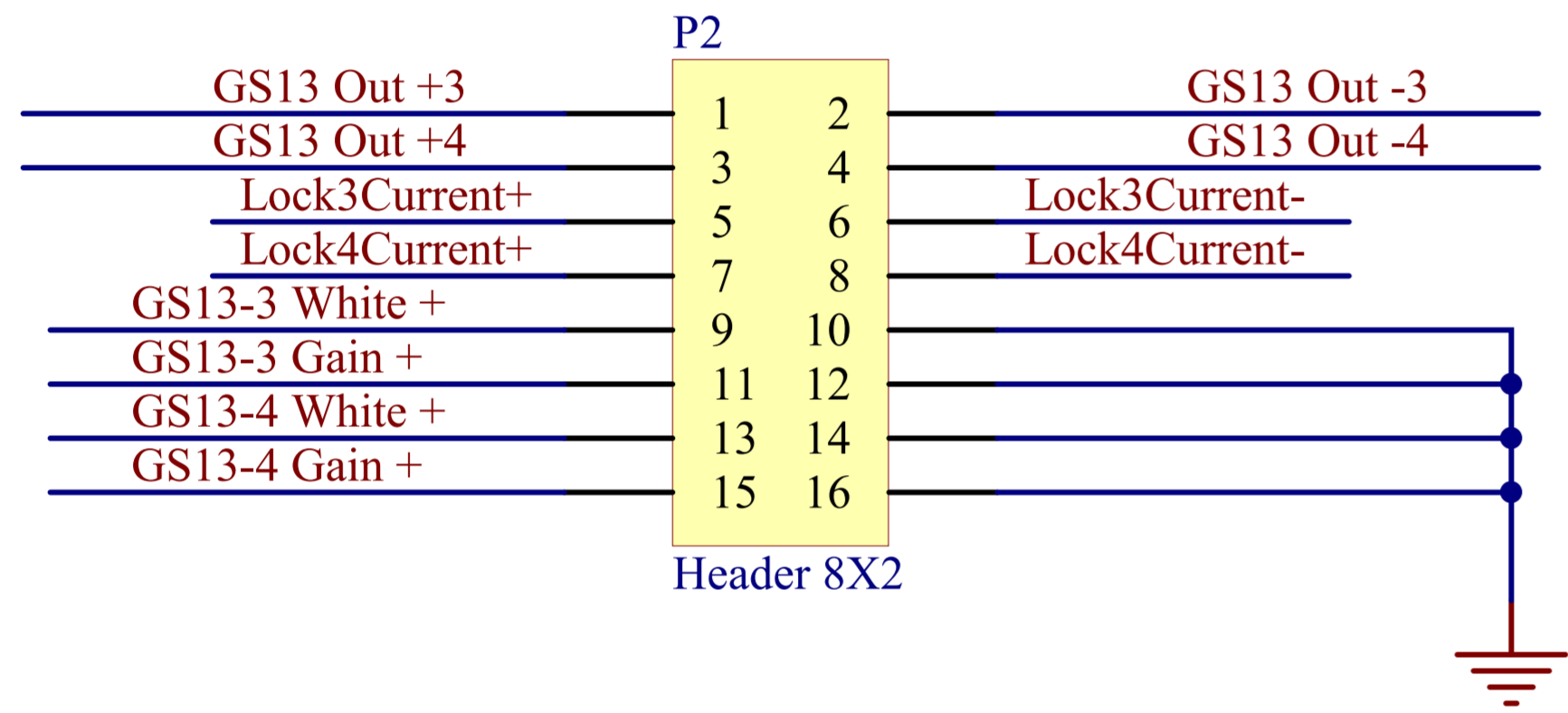
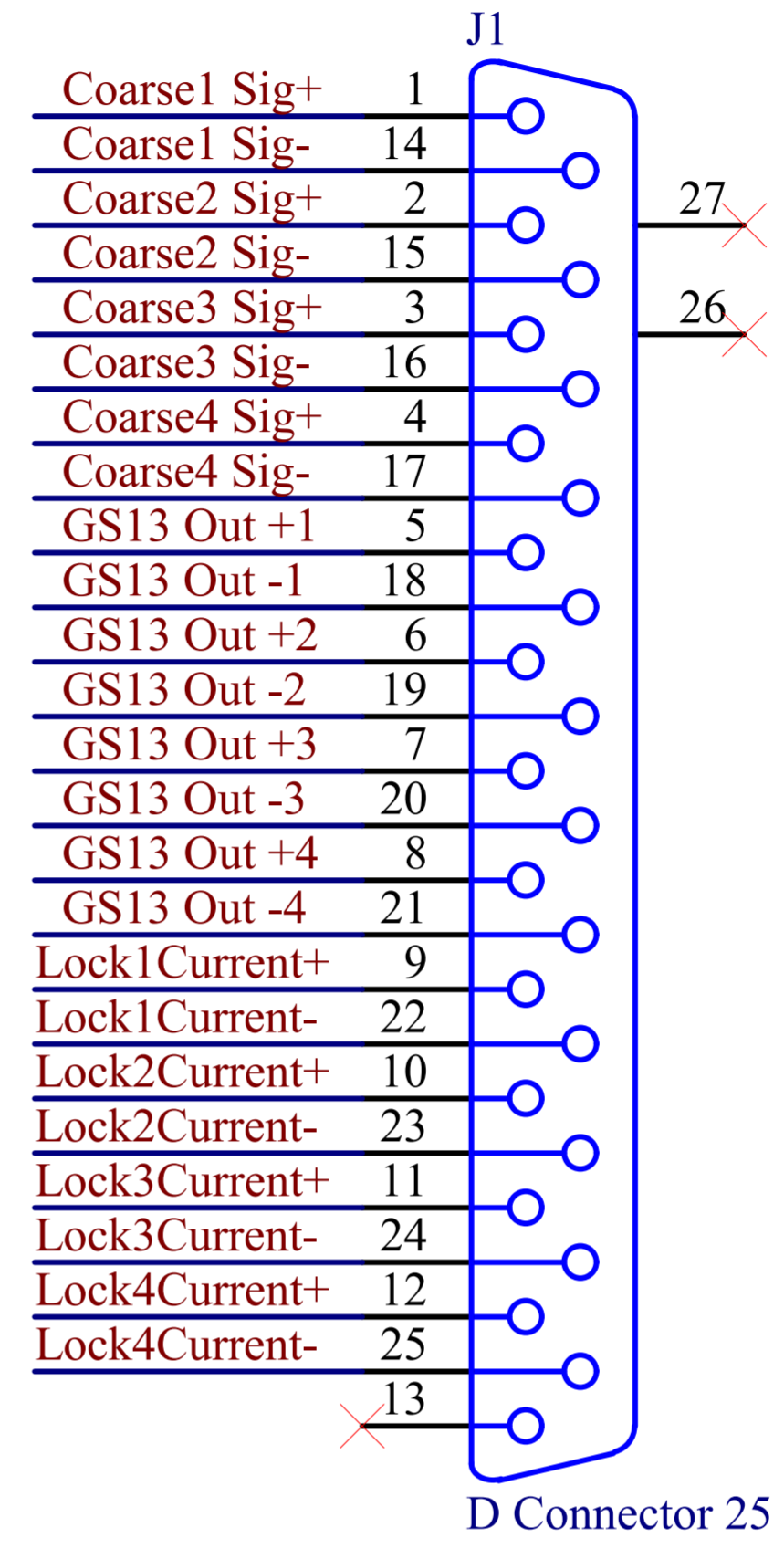
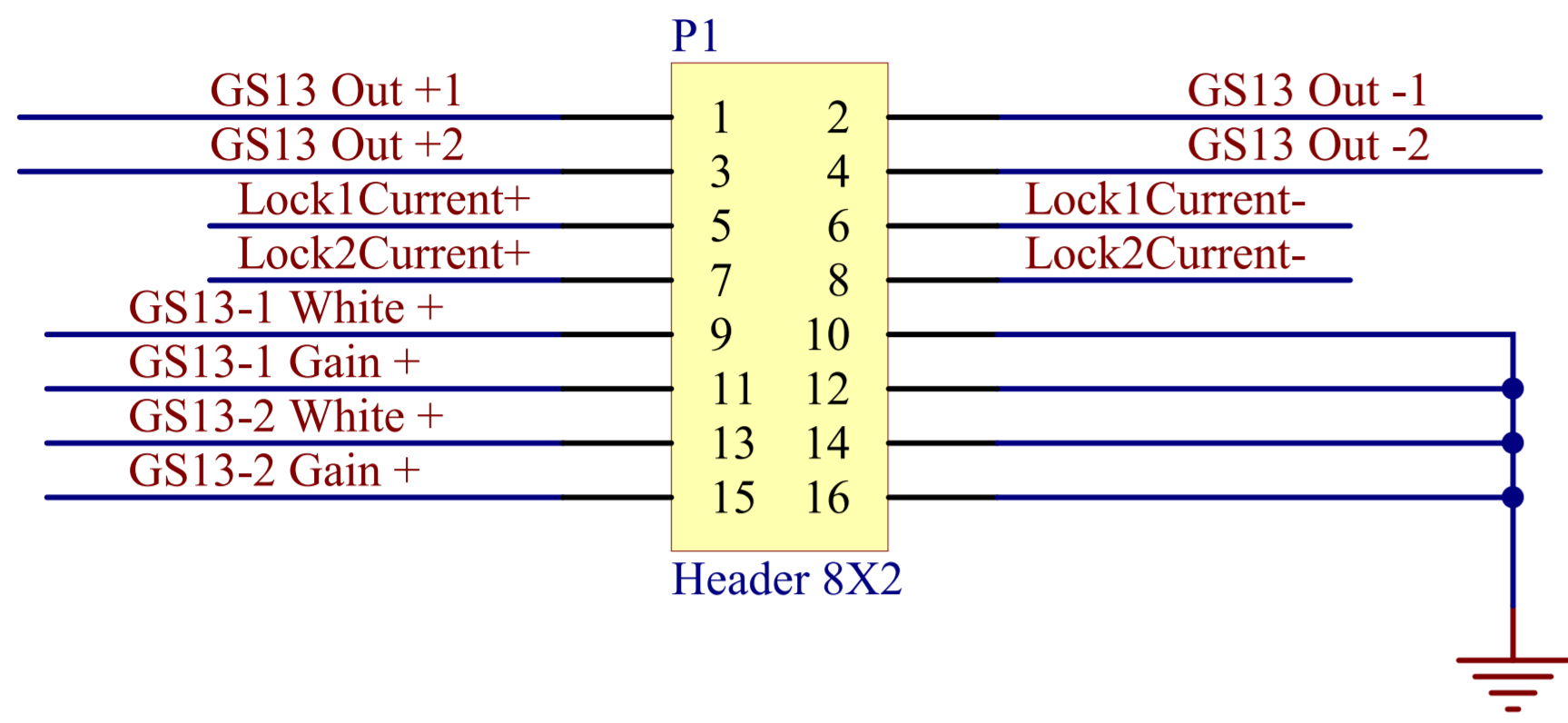
B


C

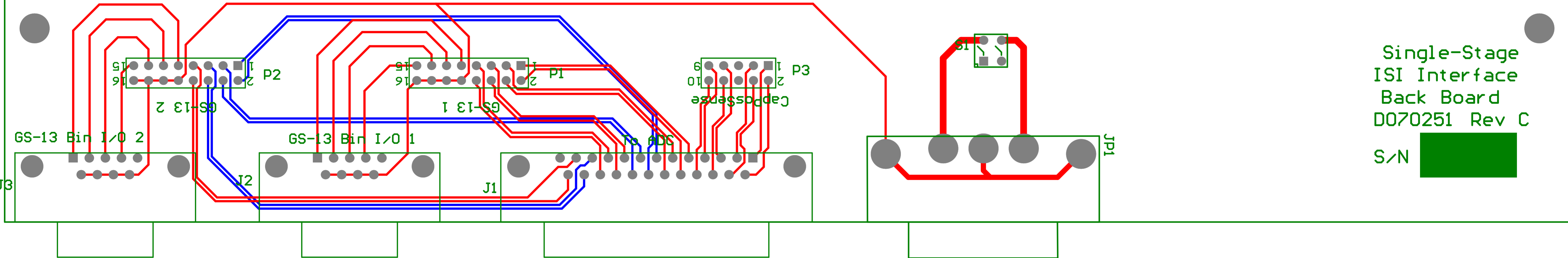
C

D

D



Title ISI Interface Back Board			
Size: A	DCC Number: D070251-00-C		Ligo Project California Institute of Technology Massachusetts Institute of Technology 
Drawn by: Ben Abbott	Date: 8/17/2009	Revision: v3	
File: C:\Ben\Seismic\ISI\Single Stage ISI\SS_ISI_Int\SS_BackBoard\SS_BackBoard.dwg Printed: 5:06:30 PM Sheet 1 of 1			



Single-Stage
ISI Interface
Back Board
D070251 Rev C
S/N XXXXXXXXXX