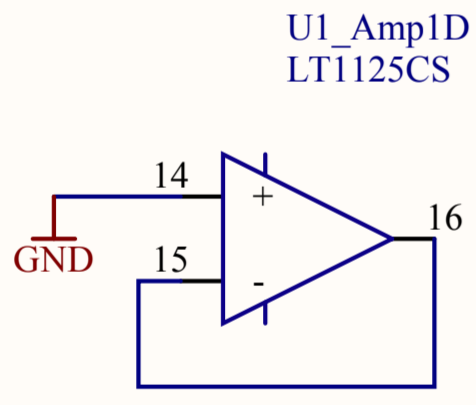
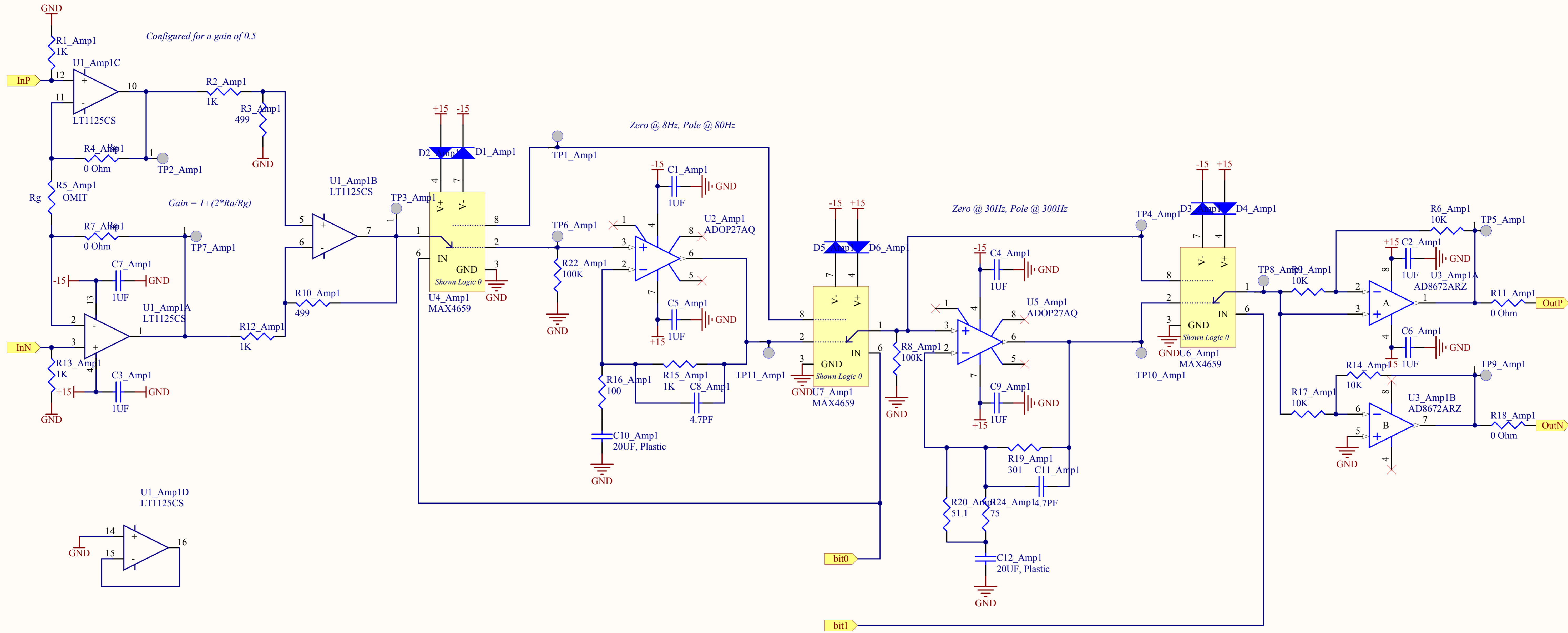
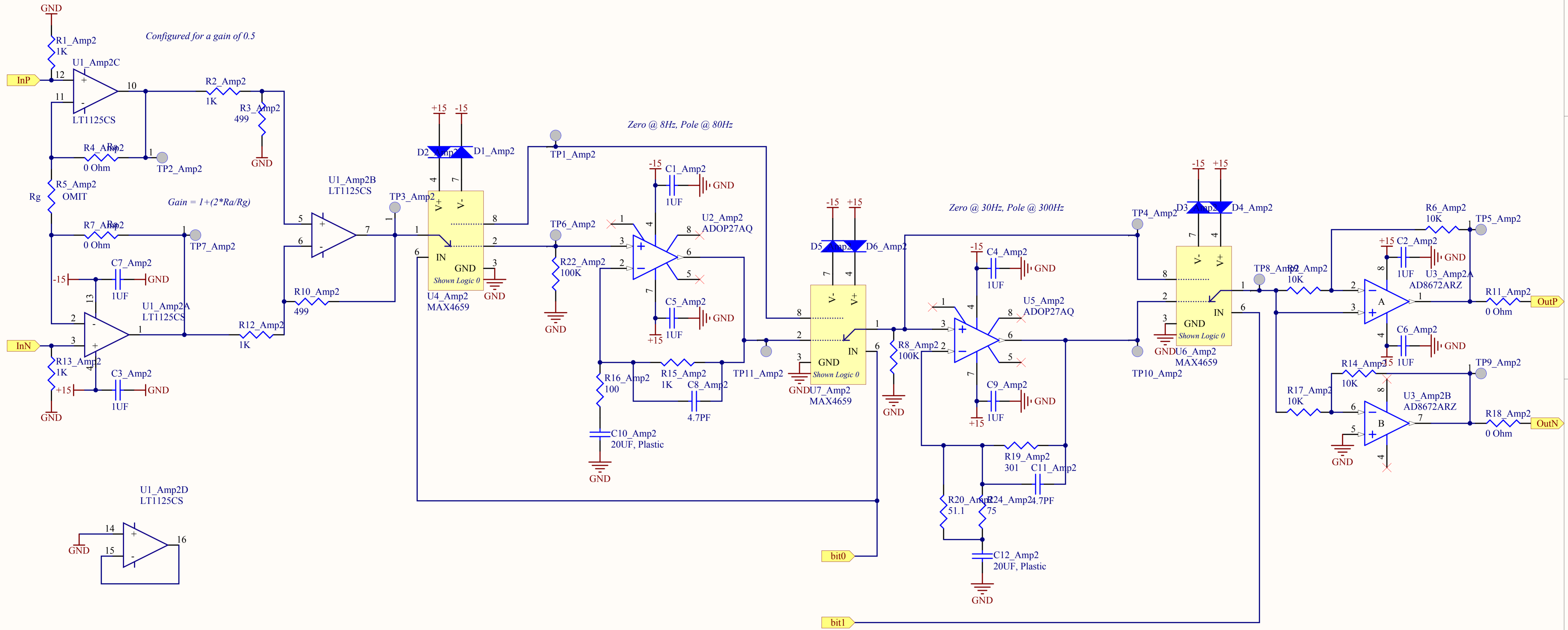


Title		
<b>ELIGO OMC Whitening Board</b>		
Size	Number	Revision
Letter	<b>D070281</b>	<b>A</b>
Date:	8/6/2007	Sheet of
File:	C:\Documents and Settings\...DCPD_white.Dcp.SchDoc	C. Osthelder, R. Abbott



Last Edited:

Title		* * *		LIGO	
Size: B	DCC Number: D070281	Revision: A	Engineer: C. Osthelder, R. Abbott	Date: 8/6/2007	Time: 1:08:35 PM
File: C:\Documents and Settings\costheld\My Documents\chub_ligo_files\ChubAltium\DCPD_white\DCPD_white.SchDoc				Sheet * of *	



Last Edited:

Title		* * *		LIGO	
Size: B	DCC Number: D070281	Revision: A	Engineer: C. Osthelder, R. Abbott	Date: 8/6/2007	Time: 1:08:35 PM
File: C:\Documents and Settings\costheld\My Documents\chub_ligo_files\ChubAltium\DCPD_white\DCPD_white.SchDoc				Sheet * of *	

ELIGO OMC Whitening Board

LIGO-D070281 Rev. A

