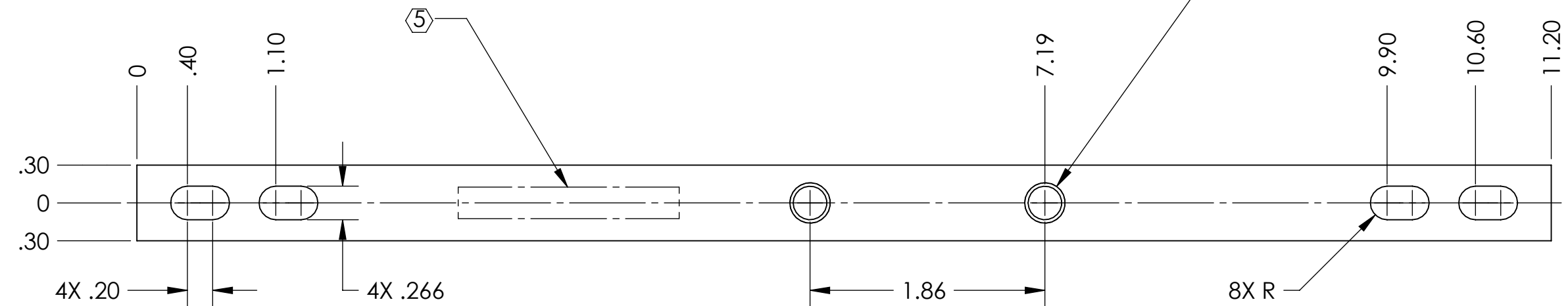
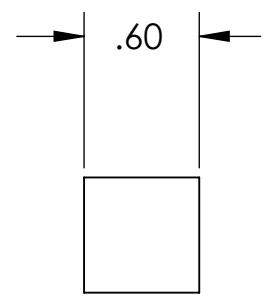
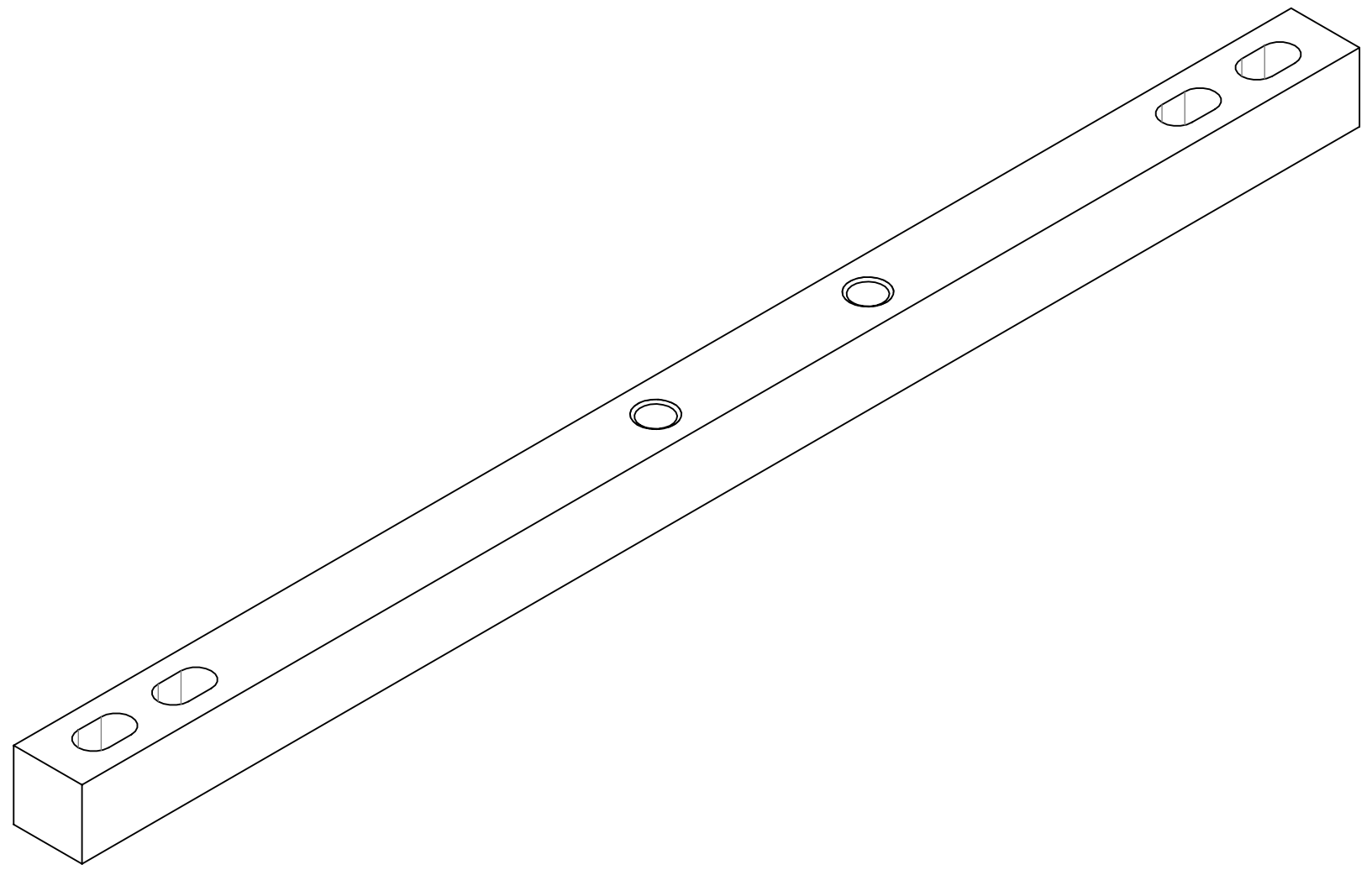


D070310\_Advanced\_LIGO\_SUS\_HLTS\_Top\_Blade\_Guard\_Bar\_PART PDM REV: V1-001, DRAWING PDM REV: V1-002

- NOTES CONTINUED:**
- 5. SCRIBE, ENGRAVE, OR MECHANICALLY STAMP (NO INKS OR DYES) DRAWING PART NUMBER, REVISION (AND VARIANT OR "TYPE" IF APPLICABLE) ON NOTED SURFACE OF PART FOLLOWED ON THE NEXT LINE WITH A THREE DIGIT SERIAL NUMBER. SERIAL NUMBERS START AT 001 FOR THE FIRST ARTICLE AND PROCEED CONSECUTIVELY. USE MINIMUM 0.12" HIGH CHARACTERS, UNLESS THE SIZE OF THE PART DICTATES SMALLER CHARACTERS. A VIBRATORY TOOL MAY BE USED.  
EXAMPLE: DXXXXXX-VY, TYPE-XX, S/N XXX
  - 6. MACHINE ALL SURFACES TO REMOVE OXIDES AND MILL FINISH. USE OF ABRASIVE REMOVAL TECHNIQUES IS NOT ALLOWED.
  - 7. ALL PARTS SHALL BE MANUFACTURED IN ACCORDANCE WITH LIGO SPECIFICATION E0900364.
  - 8. ALL HELICOIL HOLES TO BE PREPARED IN ACCORDANCE WITH EMHART HELICOIL PRODUCT CATALOG, HC2000, REV. 4.
  - 9. ALL HELICOILS TO BE INSTALLED BY LIGO PERSONNEL AFTER DELIVERY, CLEANING AND BAKING OF FINISHED PARTS.

REV.	DATE	DCN #	DRAWING TREE #
v1	26 MAY 2009	E0900159	E080191
v2	10 AUG 2010	E1000301	E080191
-	-	-	-



NOTES AND TOLERANCES: (UNLESS OTHERWISE SPECIFIED)				LIGO CALIFORNIA INSTITUTE OF TECHNOLOGY MASSACHUSETTS INSTITUTE OF TECHNOLOGY		PART NAME	
DIMENSIONS ARE IN INCHES TOLERANCES: .XX ± .01 .XXX ± .005 ANGULAR ± 0.5°				1. INTERPRET DRAWING PER ASME Y14.5-1994. 2. REMOVE ALL SHARP EDGES, R.02 MIN. 3. DO NOT SCALE FROM DRAWING. 4. ALL MACHINING FLUIDS MUST BE FULLY SYNTHETIC, FULLY WATER SOLUBLE AND FREE OF SULFUR, SILICONE, AND CHLORINE.		<b>TOP BLADE GUARD BAR</b>	
<b>MATERIAL</b> 6061-T6 Al		<b>FINISH</b> 32 μinch		<b>SYSTEM</b> ADVANCED LIGO		<b>SUB-SYSTEM</b> SUS	
<b>NEXT ASSY</b> TOP BLADE GUARD ASSY				<b>DESIGNER</b> D. BRIDGES		<b>DATE</b> 23 AUG 2010	
				<b>DRAFTER</b> D. BRIDGES		<b>DATE</b> 25 AUG 2009	
				<b>CHECKER</b> B. MOORE		<b>DATE</b> 25 AUG 2010	
				<b>APPROVAL</b>		<b>SIZE DWG. NO.</b> B D070310	
				<b>SCALE:</b> 1:1		<b>PROJECTION:</b>	
						<b>REV.</b> v2	
						<b>SHEET 1 OF 1</b>	