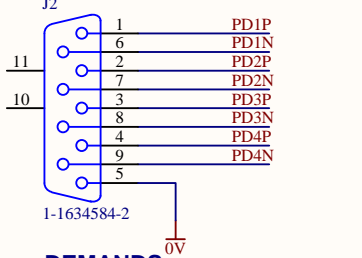
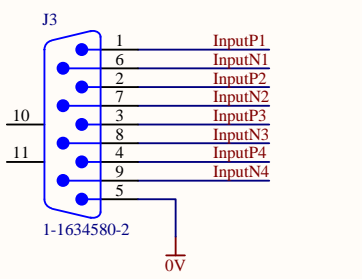


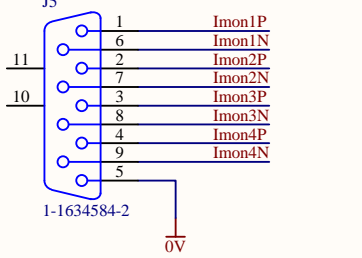
PHOTODIODE OUTPUTS



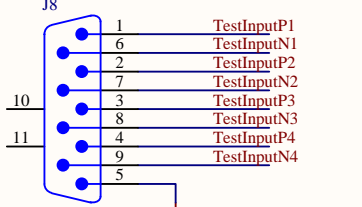
DEMANDS



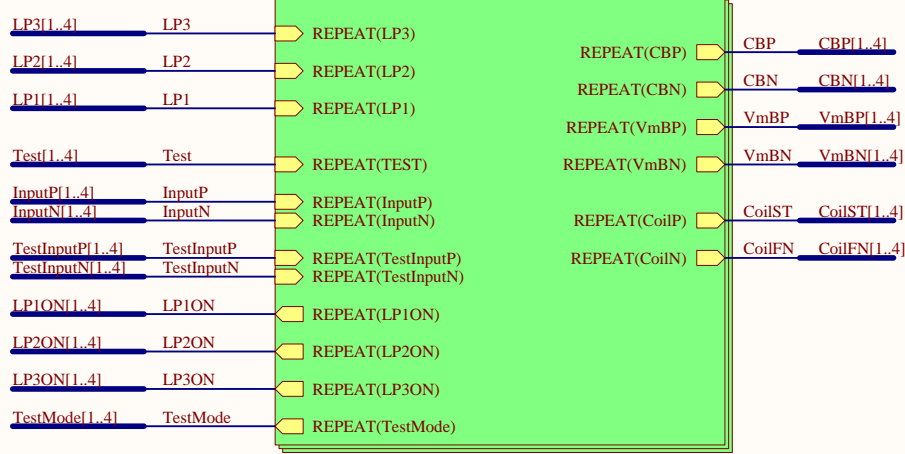
CURRENT SOURCE MONITORS



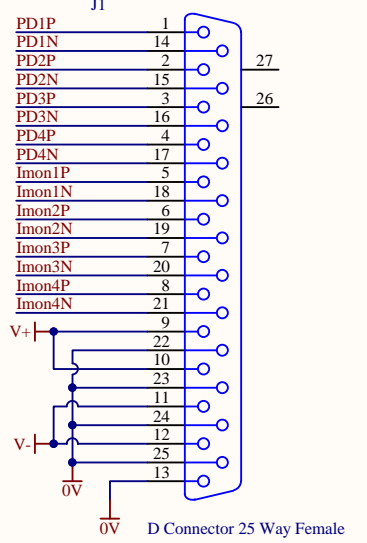
FRONT PANEL TEST INPUTS



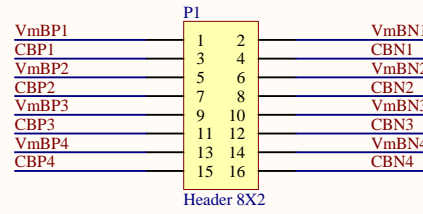
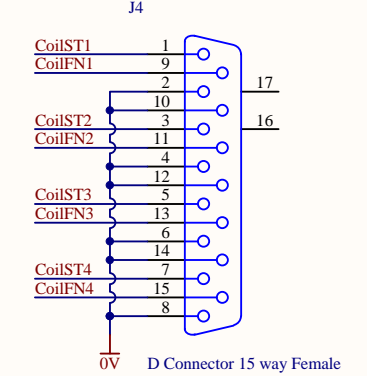
UIM Circuit V4.SchDoc



FROM SATELLITE BOX

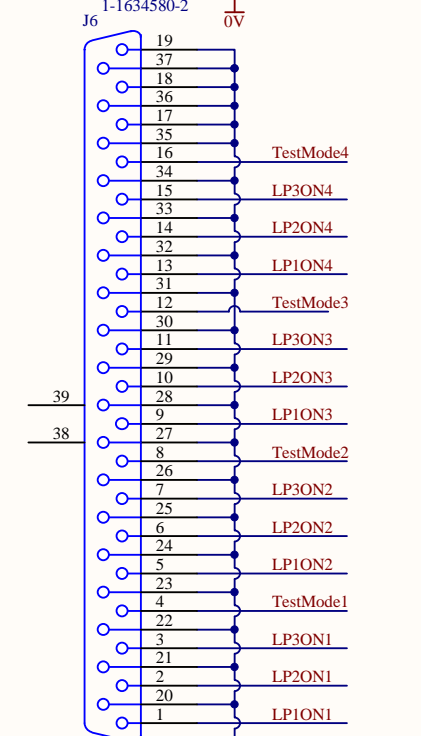


TO SATELLITE BOX

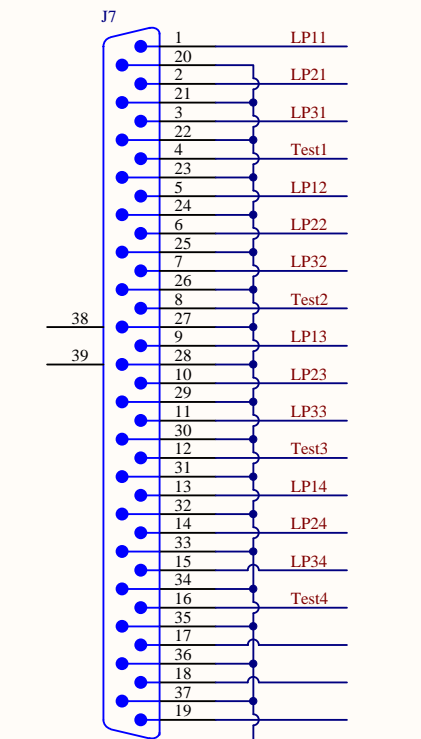


Connections to Monitor Board

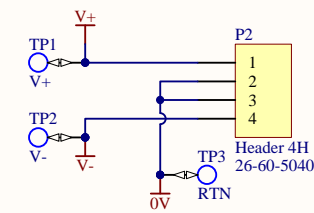
See change summary on UIM Circuit_v5 document



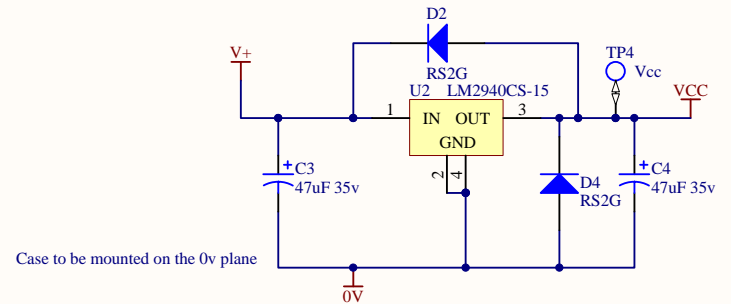
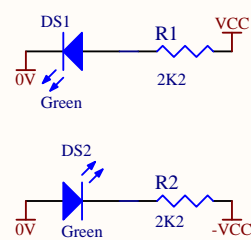
Relay Monitors D Connector 37 Way Female



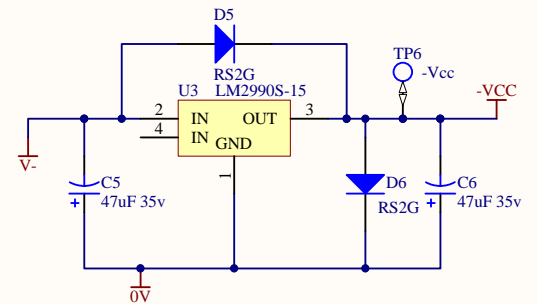
Relay Commands D Connector 37 Way Male



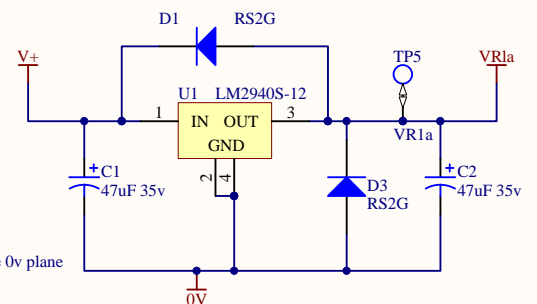
Power connection to rear panel



Case to be mounted on the 0v plane



Case to be mounted on an electrically isolated area of copper at least 1" square.



Case to be mounted on the 0v plane

Title Pre - Production UIM Drive Board		
Size A3	Number D070481	Revision V5
Date: 9/2/2015	Sheet 1 of 2	
File: C:\Rich's Files\UIMBoard_V5.SchDoc	Drawn By: R.M.Cutler	