

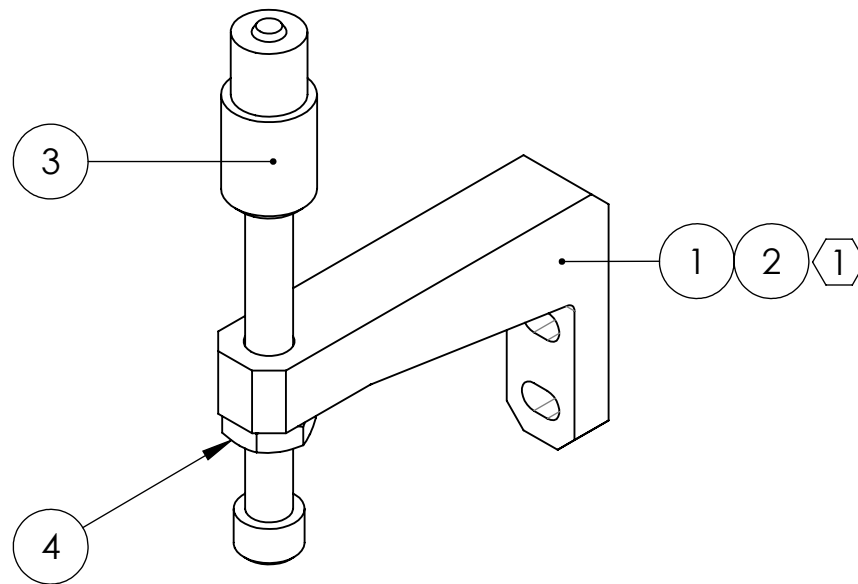
4

3

2

1

REV.	DATE	DCN #	DRAWING TREE #
v1	02 JUN 2009	E0900162	E080191
v2	09 DEC 2010	E1000849	E080191
-	-	-	-



4	-	JAM NUT, 1/4-20	300 SSTL	1	1	2
3	D080725	EARTHQUAKE STOP FOR METAL OR GLASS	N/A	1	0	1
2	1185-4EN375	HELICOIL, 1/4-20 X 0.375 LONG	NITRONIC 60	1	1	2
1	D070322	EARTHQUAKE STOP BRACKET, LONG	6061-T6 AI	1	0	1
ITEM NO.	PART NUMBER	DESCRIPTION	MATERIAL	REQ	SPARE	TOTAL

PARTS LIST

NOTES AND TOLERANCES: (UNLESS OTHERWISE SPECIFIED)

HELICOIL TO BE INSTALLED INTO ITEM NO. 1 BY LIGO PRIOR TO ASSEMBLY AND AFTER ALL PARTS ARE CLEANED AND BAKED.

CALIFORNIA INSTITUTE OF TECHNOLOGY  
MASSACHUSETTS INSTITUTE OF TECHNOLOGY

PART NAME  
EARTHQUAKE STOP ASSY, LONG BRACKET

MATERIAL N/A FINISH N/A μinch

SYSTEM ADVANCED LIGO SUB-SYSTEM SUS  
NEXT ASSY HLTS OVERALL ASSY

DESIGNER	D. BRIDGES	13 DEC 2010	SIZE	DWG. NO.	REV.
DRAFTER	D. BRIDGES	13 DEC 2010	A	D080727	v2
CHECKER	B. MOORE	14 DEC 2010	SCALE: 1:1	PROJECTION:	SHEET 1 OF 1
APPROVAL					

4

3

2

1