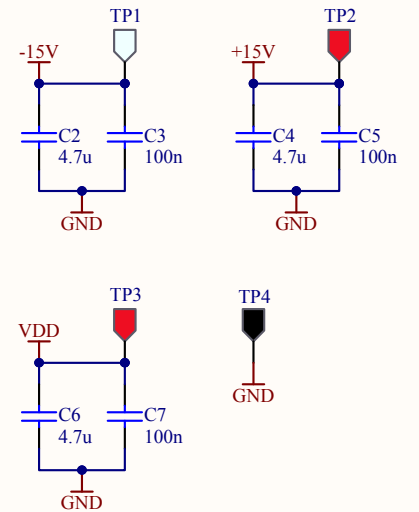
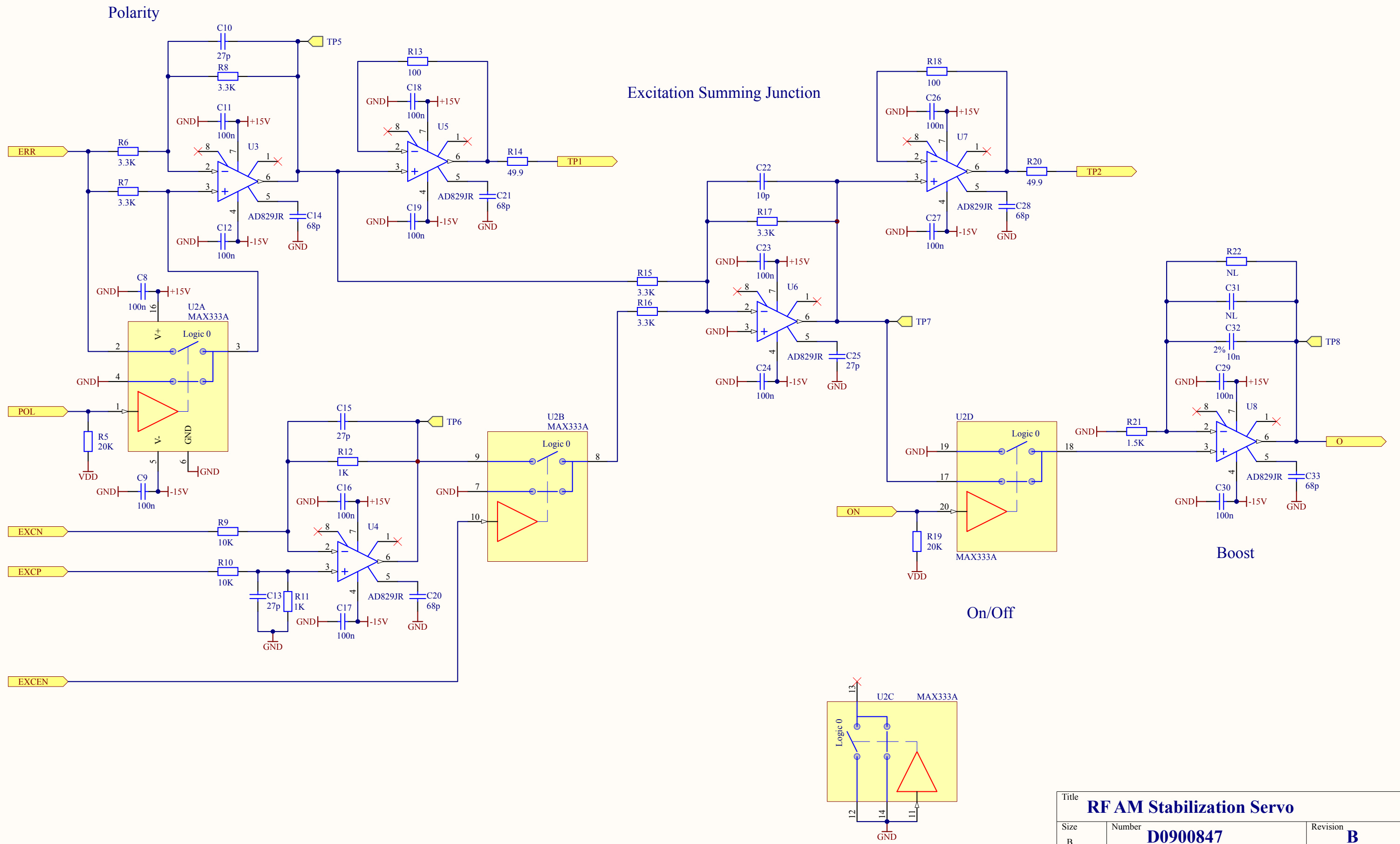


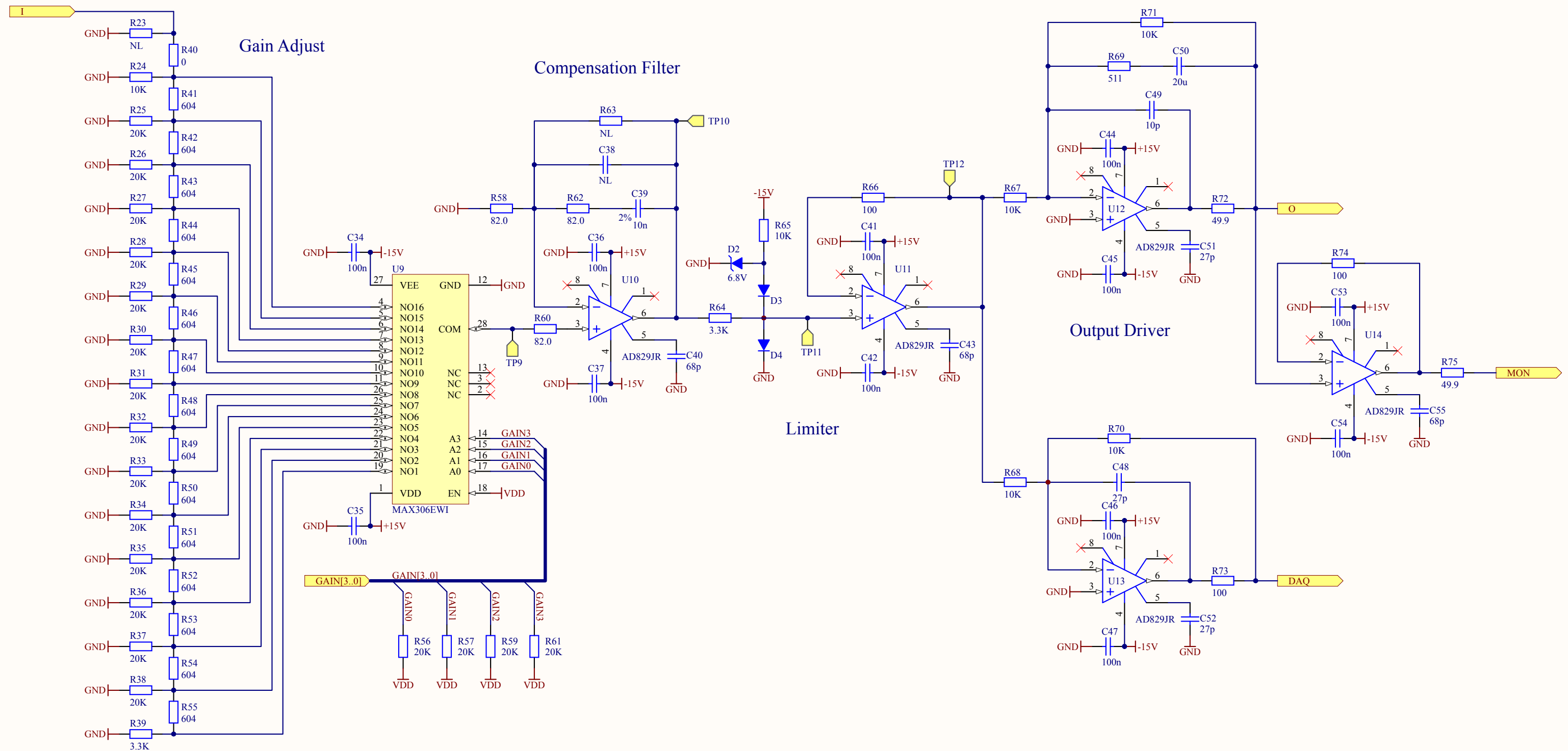
- H1 #4 screw, 1/4"
- H2 #4 screw, 1/4"
- H3 #4 screw, 1/4"
- H4 #4 screw, 1/4"
- McMaster-Carr 90272A106
- H5 standoff
- H6 standoff
- Digi-Key 2202K-ND
- H7 #4 lock washer
- H8 #4 lock washer
- H9 #4 lock washer
- H10 #4 lock washer
- McMaster-Carr 91113A005
- B1 Bracket



Title RF AM Stabilization Servo		
Size B	Number D0900847	Revision B
Date: 2/24/2015	Sheet 1 of 3	
File: C:\Users\...\EOMDriverServo1.SchDoc	Drawn By: Daniel Sigg	



Title		
RF AM Stabilization Servo		
Size	Number	Revision
B	D0900847	B
Date:	2/24/2015	Sheet 2 of 3
File:	C:\Users\...\EOMDriverServo2.SchDoc	Drawn By: Daniel Sigg



RT=3.45K

Title		
RF AM Stabilization Servo		
Size	Number	Revision
B	D0900847	B
Date:	2/24/2015	Sheet 3 of 3
File:	C:\Users\...\EOMDriverServo3.SchDoc	Drawn By: Daniel Sigg