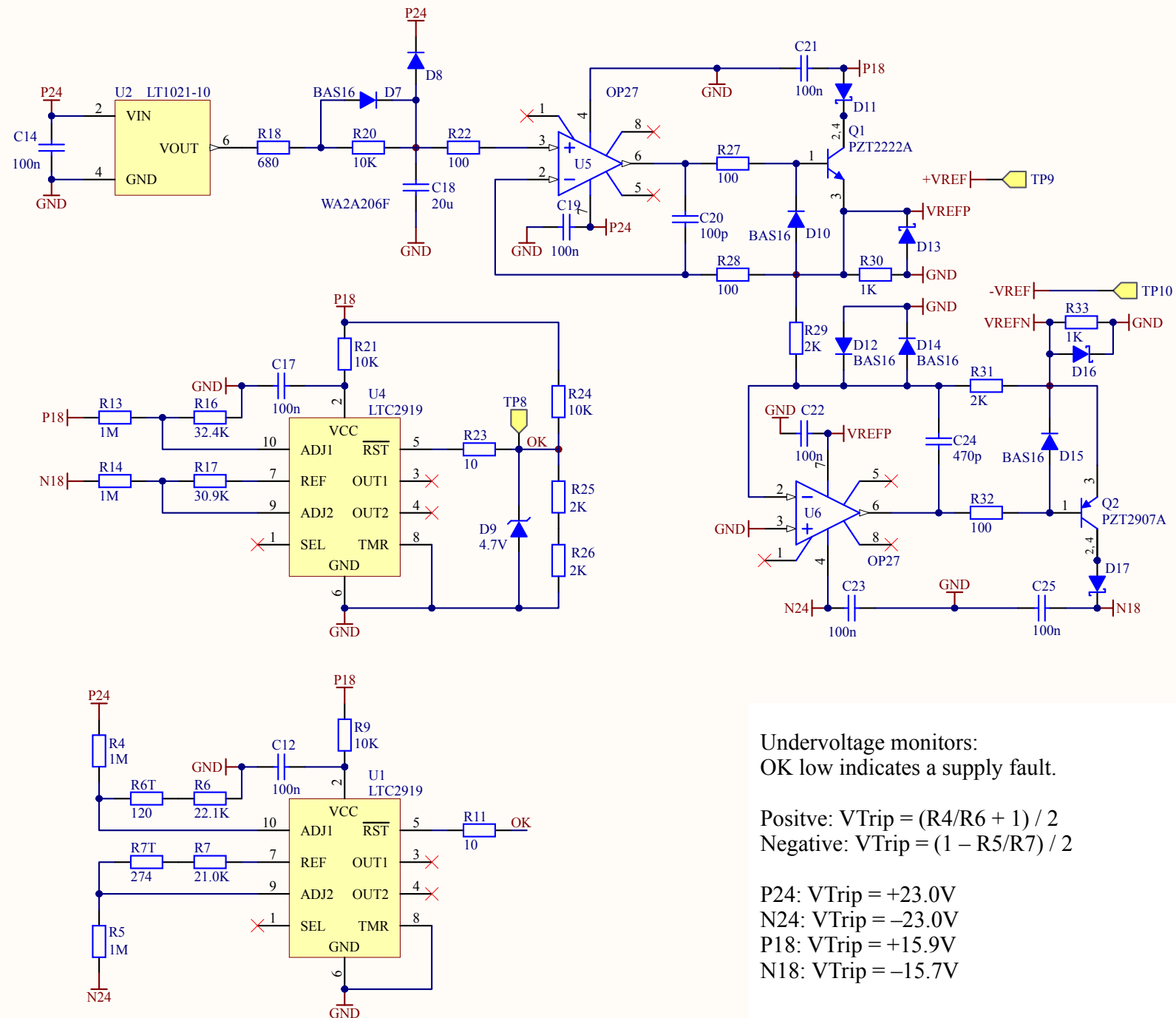
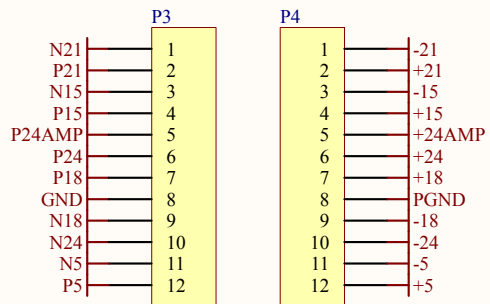
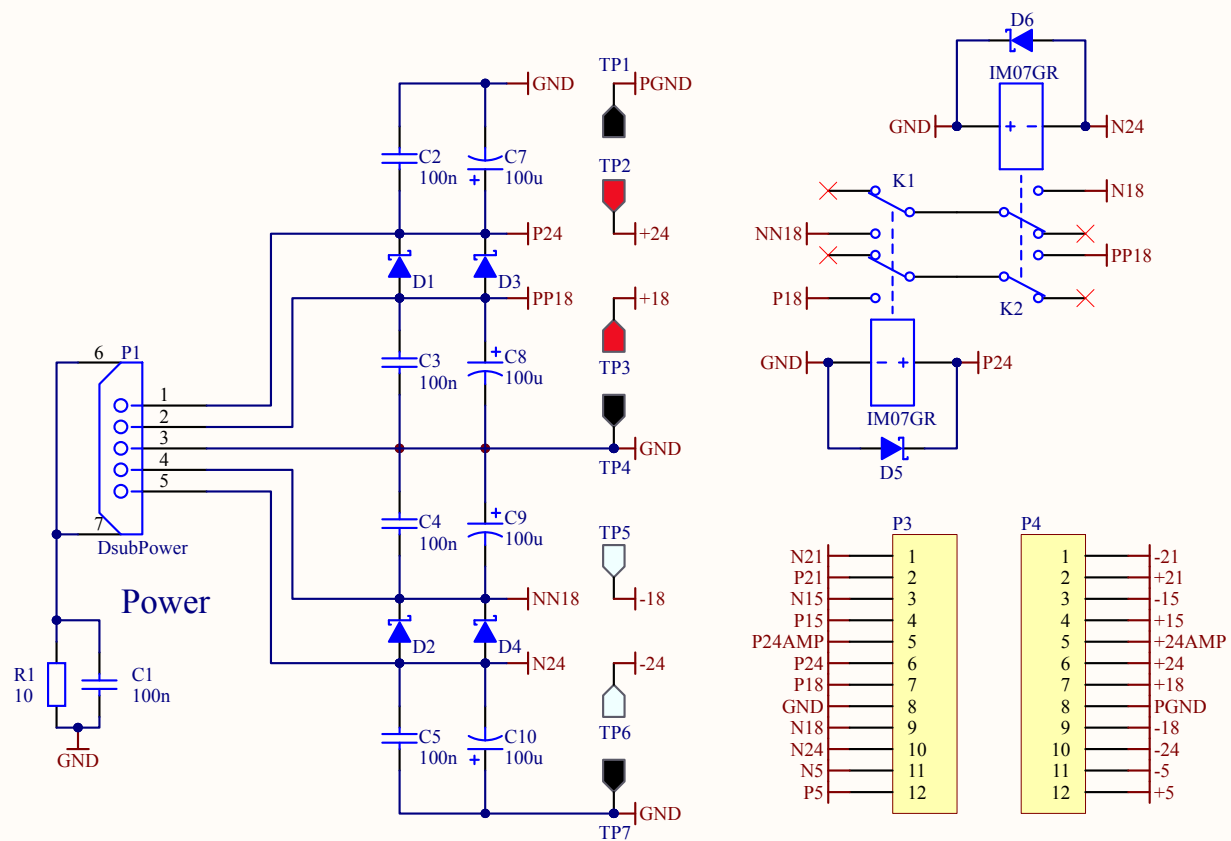


This circuit is split into 2 boards between P3 and P4, and between P9 and P10, respectively.

If Q9 is not stuffed, W1 and W2 must be soldered, so +24AMP is routed from P24.

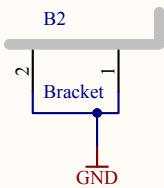


Undervoltage monitors:
OK low indicates a supply fault.

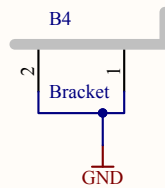
Positive: $V_{Trip} = (R4/R6 + 1) / 2$
Negative: $V_{Trip} = (1 - R5/R7) / 2$

- P24: $V_{Trip} = +23.0V$
- N24: $V_{Trip} = -23.0V$
- P18: $V_{Trip} = +15.9V$
- N18: $V_{Trip} = -15.7V$

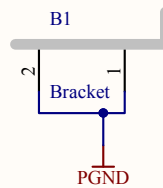
- H7 #4 screw, 3/8"
- H8 #4 screw, 3/8"
- McMaster-Carr 90272A108
- H9 #4 lock washer
- H10 #4 lock washer
- McMaster-Carr 91113A005
- H11 #4 nut
- H12 #4 nut
- McMaster-Carr 90480A005



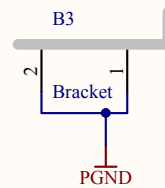
- H19 #4 screw, 3/8"
- H20 #4 screw, 3/8"
- McMaster-Carr 90272A108
- H21 #4 lock washer
- H22 #4 lock washer
- McMaster-Carr 91113A005
- H23 #4 nut
- H24 #4 nut
- McMaster-Carr 90480A005



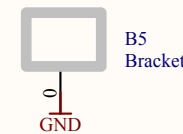
- H1 #4 screw, 3/8"
- H2 #4 screw, 3/8"
- McMaster-Carr 90272A108
- H3 #4 lock washer
- H4 #4 lock washer
- McMaster-Carr 91113A005
- H5 #4 nut
- H6 #4 nut
- McMaster-Carr 90480A005



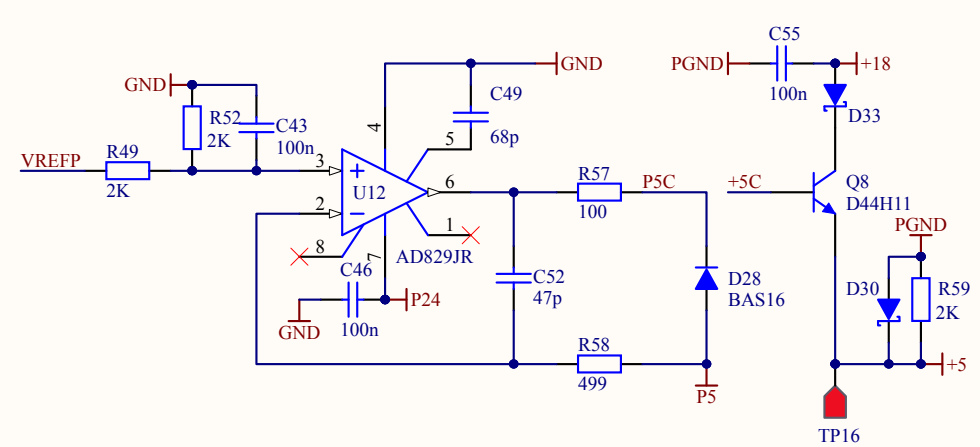
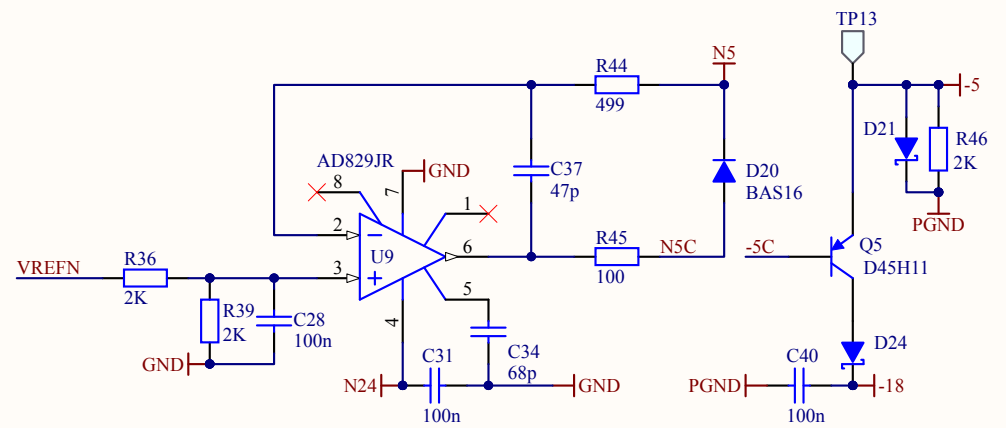
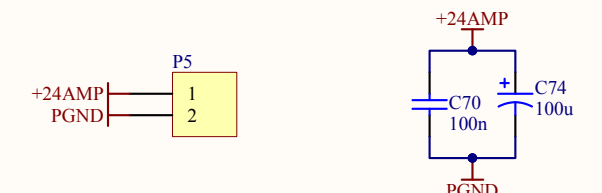
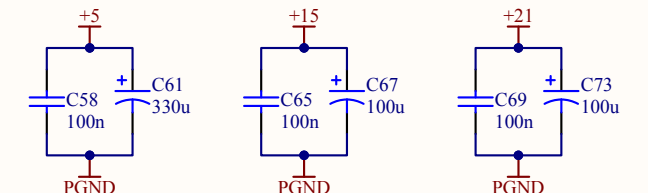
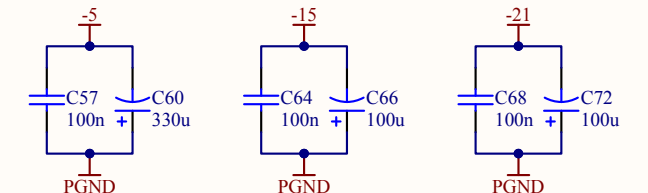
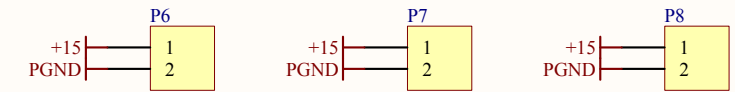
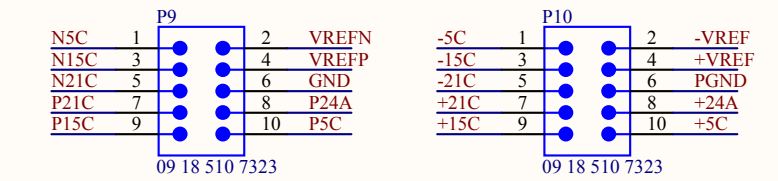
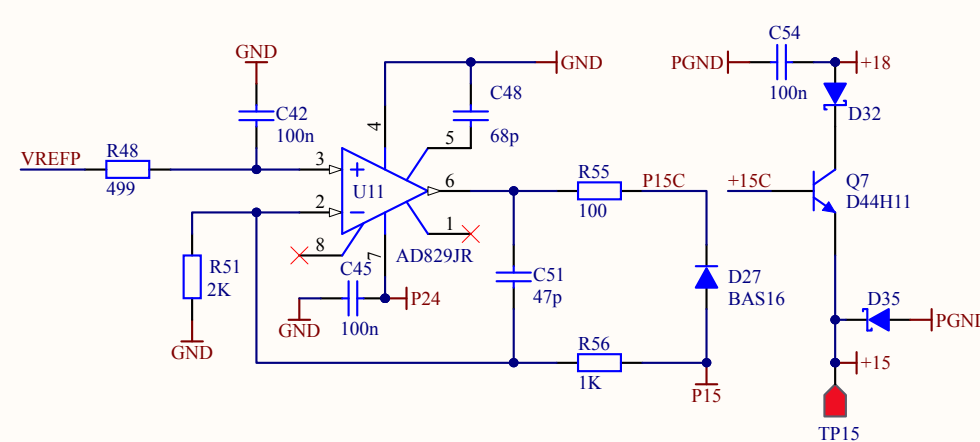
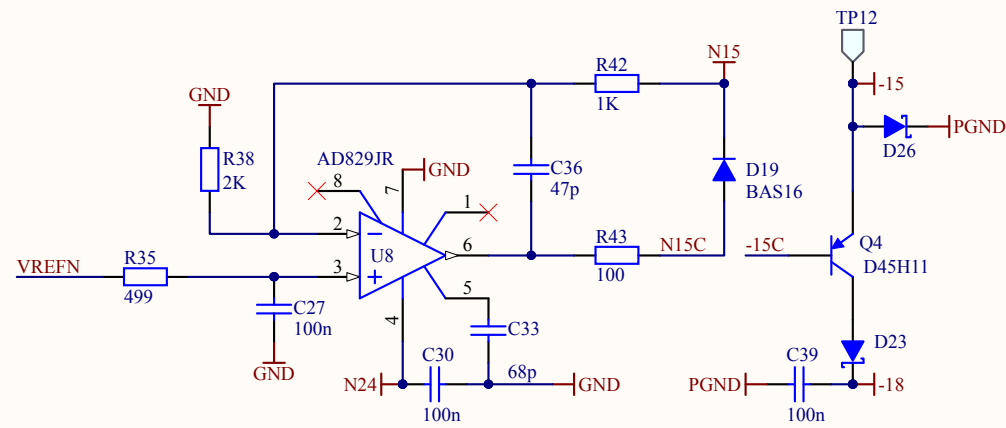
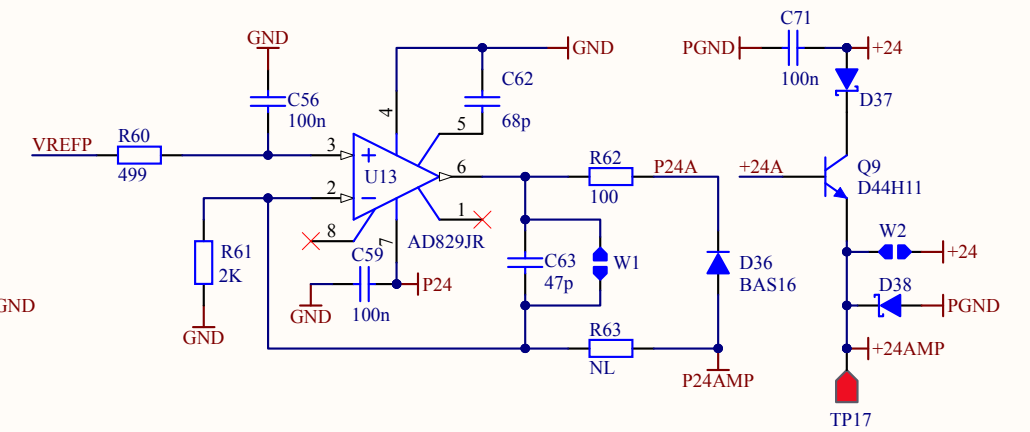
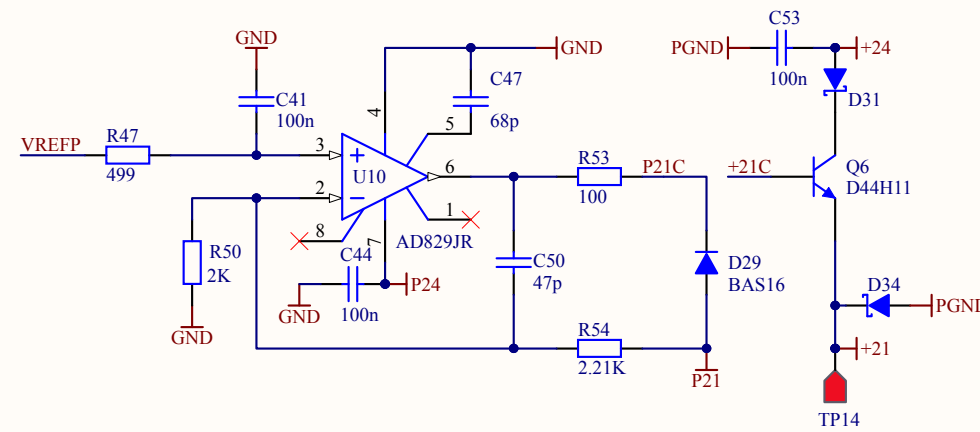
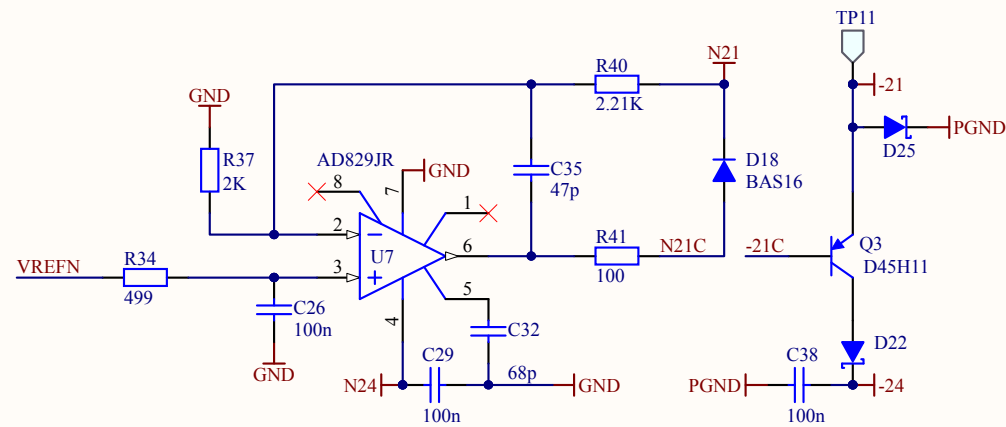
- H13 #4 screw, 3/8"
- H14 #4 screw, 3/8"
- McMaster-Carr 90272A108
- H15 #4 lock washer
- H16 #4 lock washer
- McMaster-Carr 91113A005
- H17 #4 nut
- H18 #4 nut
- McMaster-Carr 90480A005



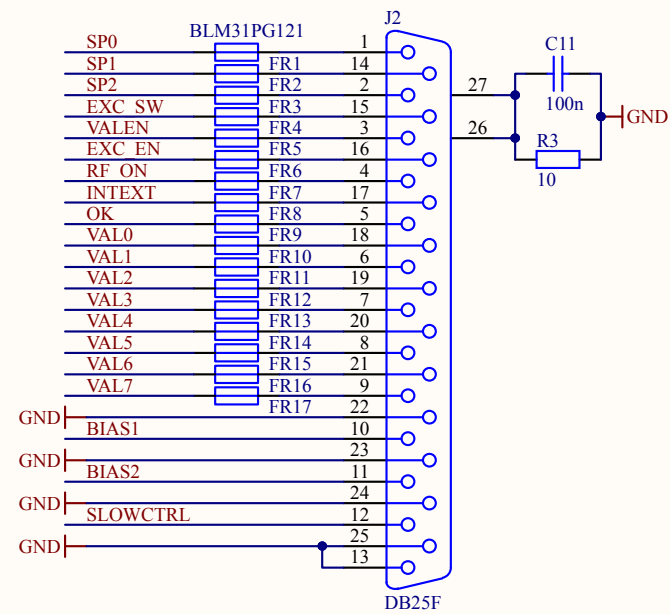
- H25 #4 screw, 3/8"
- H26 #4 lock washer
- H27 #4 nut
- H28 spacer
- Digi-Key 492-1087-ND



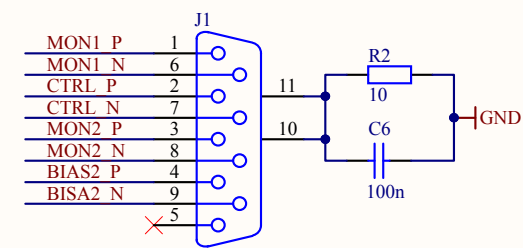
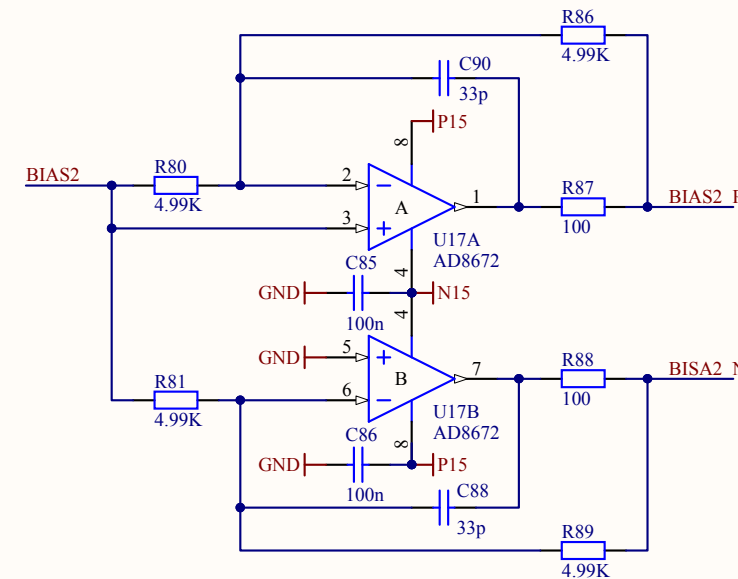
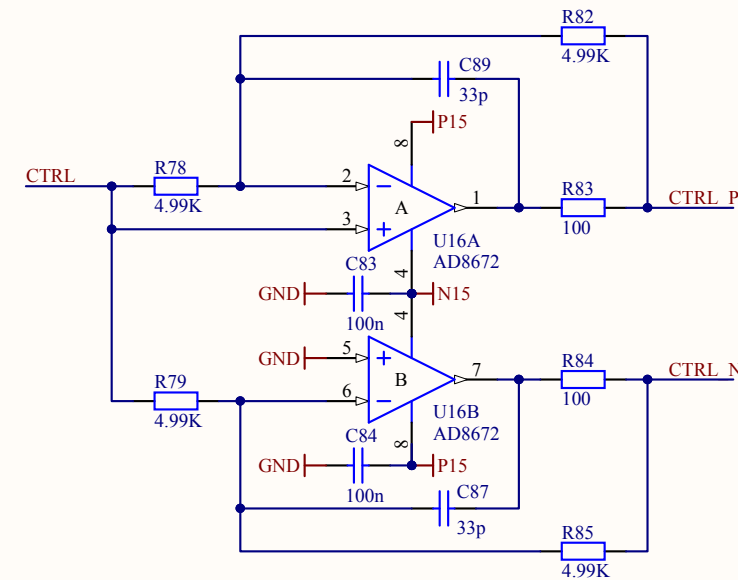
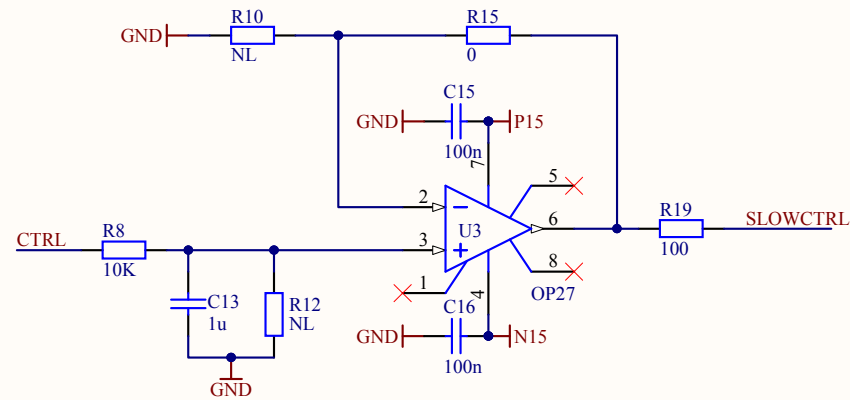
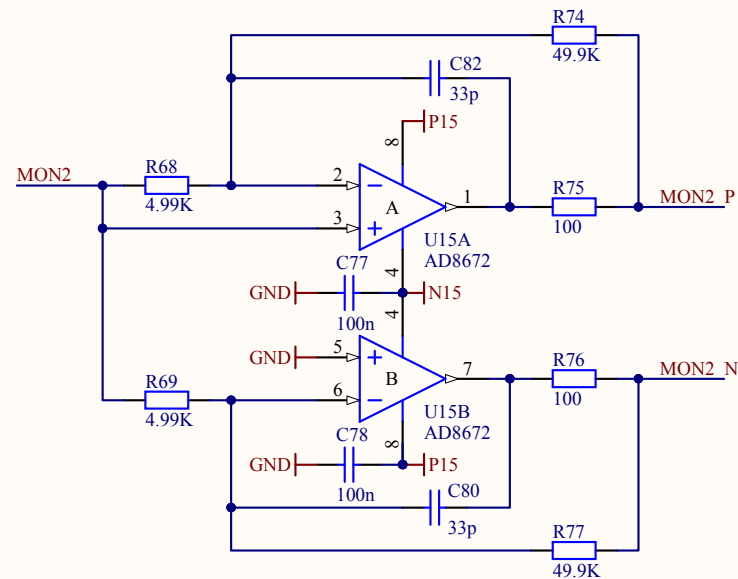
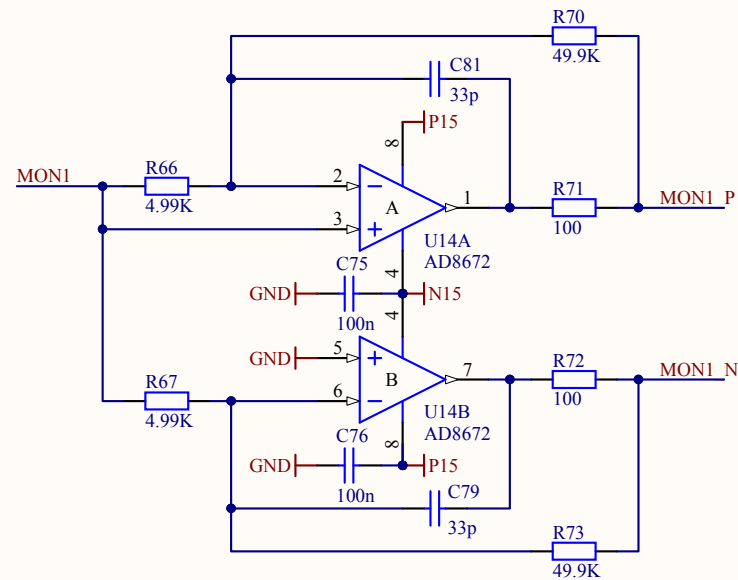
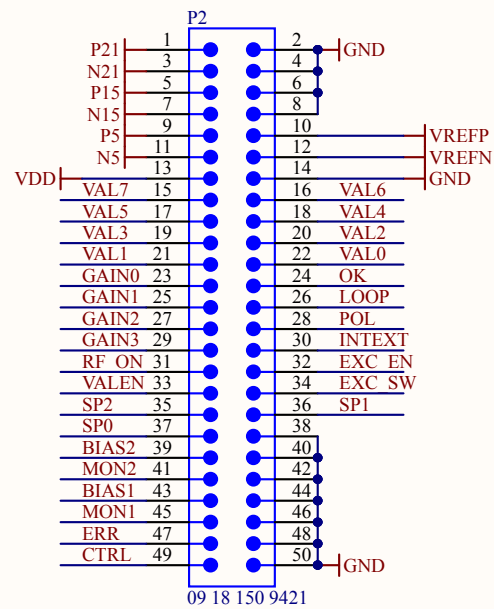
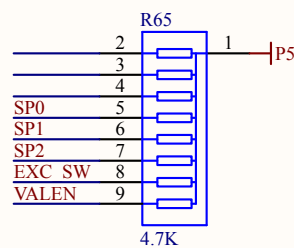
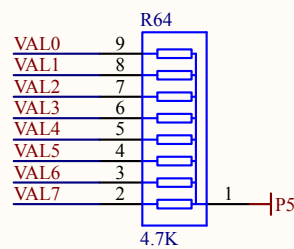
Title RF AM Stabilization Power		
Size B	Number D0900848	Revision C
Date: 5/27/2015	Sheet 1 of 3	
File: D:\Users\...\EOMDriverPower1.SchDoc	Drawn By: Daniel Sigg	



Title		
RF AM Stabilization Power		
Size	Number	Revision
B	D0900848	C
Date:	5/27/2015	Sheet 2 of 3
File:	D:\Users\...\EOMDriverPower2.SchDoc	Drawn By: Daniel Sigg



Remote Controls



DAQ

Title		
RF AM Stabilization Power		
Size	Number	Revision
B	D0900848	C
Date:	5/27/2015	Sheet 3 of 3
File:	D:\Users\...\EOMDriverPower3.SchDoc	Drawn By: Daniel Sigg