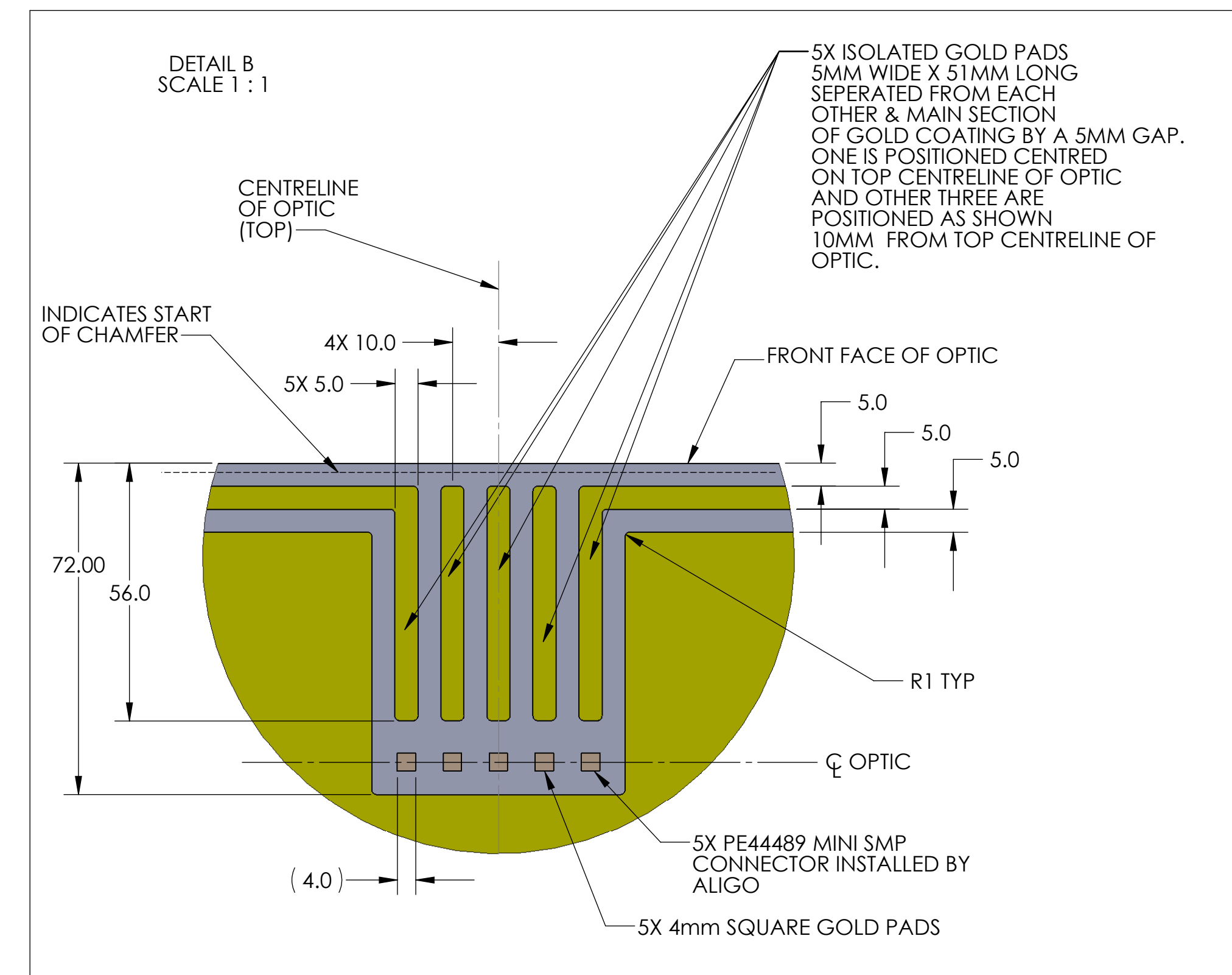
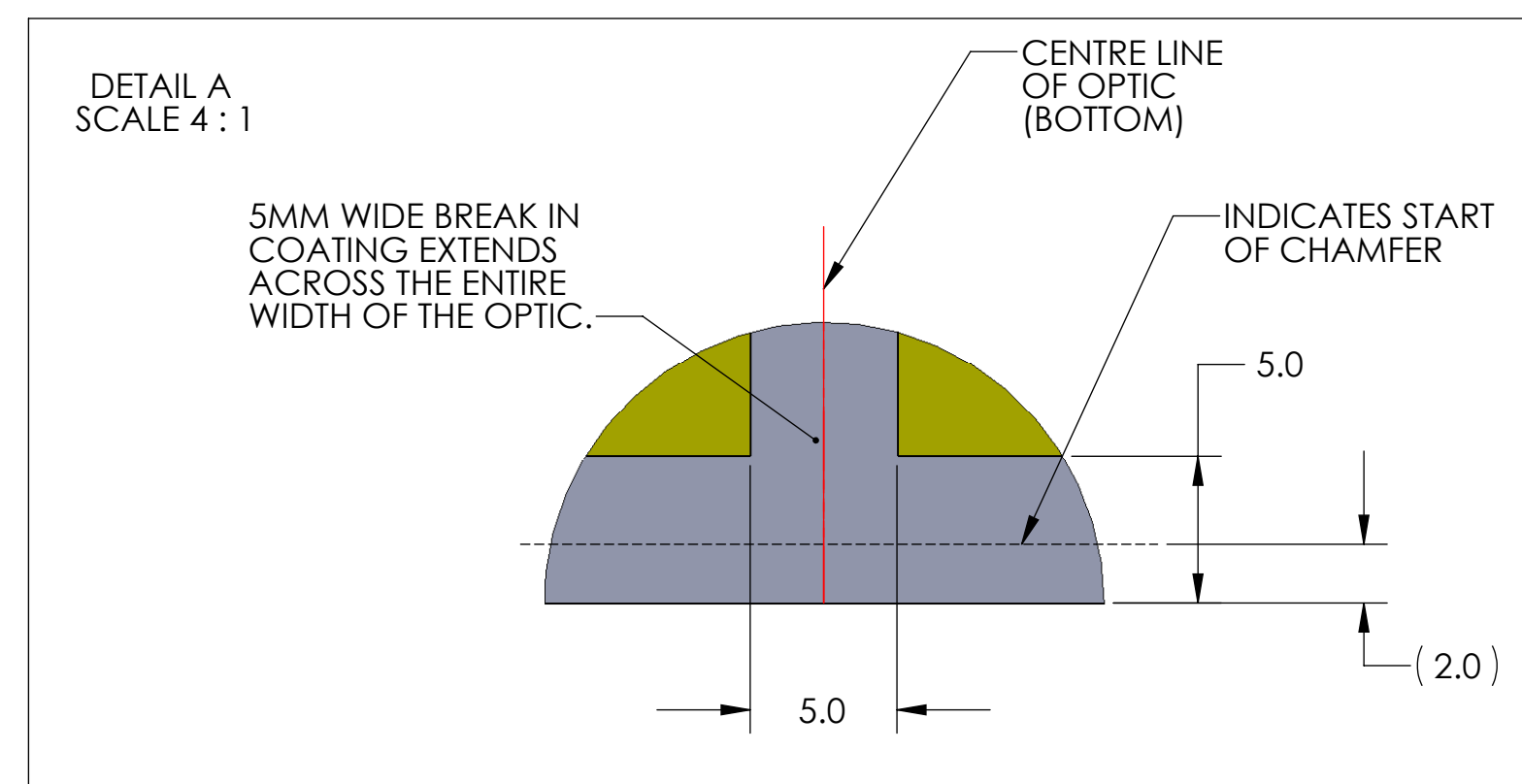
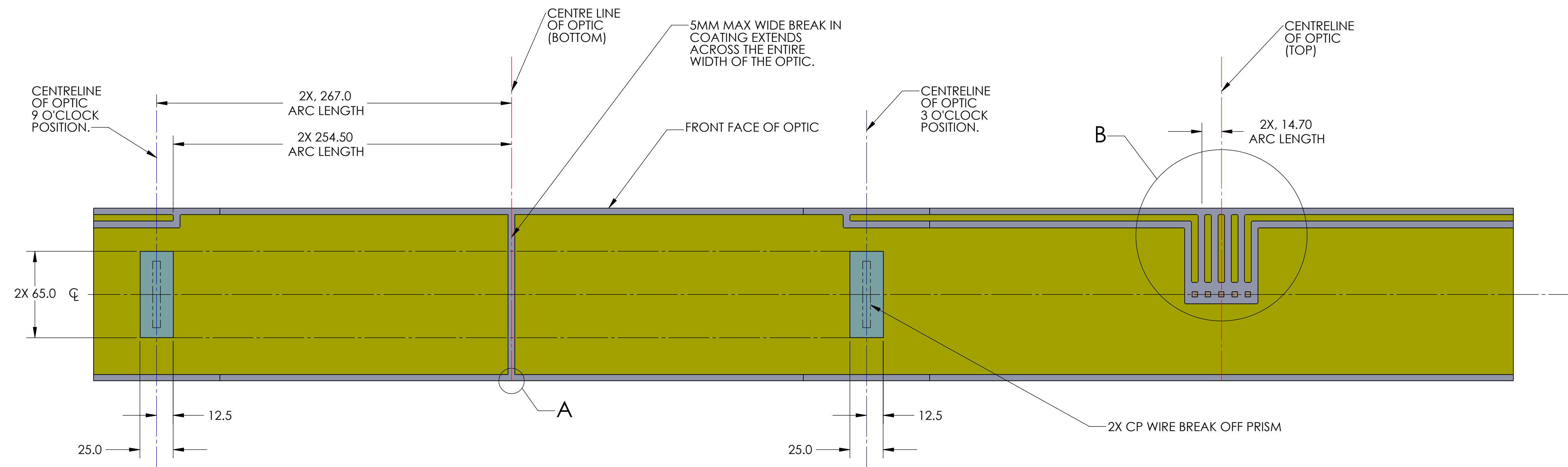


NOTES CONTINUED:

REV.	DATE	DCN #	DRAWING TREE #
v1	11th May 2009	E0900137-v1	
v2	15 OCT 2009	E0900400	
v3	9 NOV 2009	E0900401	
v4	19 NOV 2009	E0900422	

GOLD COATING PATTERN, COMPENSATION PLATE (CP) BARREL,, VIEW SHOWN ROLLED OUT FLAT, REFER TO LIGO-D080659



NOTES AND TOLERANCES: (UNLESS OTHERWISE SPECIFIED)				LIGO CALIFORNIA INSTITUTE OF TECHNOLOGY MASSACHUSETTS INSTITUTE OF TECHNOLOGY		PART NAME GOLD COATING PATTERN, COMPENSATION PLATE (CP) BARREL								
DIMENSIONS ARE MILLIMETERS		1. INTERPRET DRAWING PER ASME Y14.5-1994.		SYSTEM	ADV LIGO	SUB-SYSTEM	COC	DESIGNER	K.BUCKLAND	11/19/09	SIZE	DWG. NO.	REV.	
TOLERANCES: .X ± 0.5		2. REFER TO SPECIFICATION DOCUMENT E0900112-V1.						DRAFTER	K.BUCKLAND	11/19/09		D	D0900931	v4
MATERIAL		E0900112-V1		FINISH	E0900112-V1	CHECKER	C.TORRIE	11/19/09	APPROVAL	REFER TO DCN	SCALE:	NTS	PROJECTION:	SHEET 1 OF 1

D0900931_ADV LIGO_GOLD COATING PATTERN COMPENSATION PLATE BARREL PART PDM REV: X-008 DRAWING PDM REV: X-015