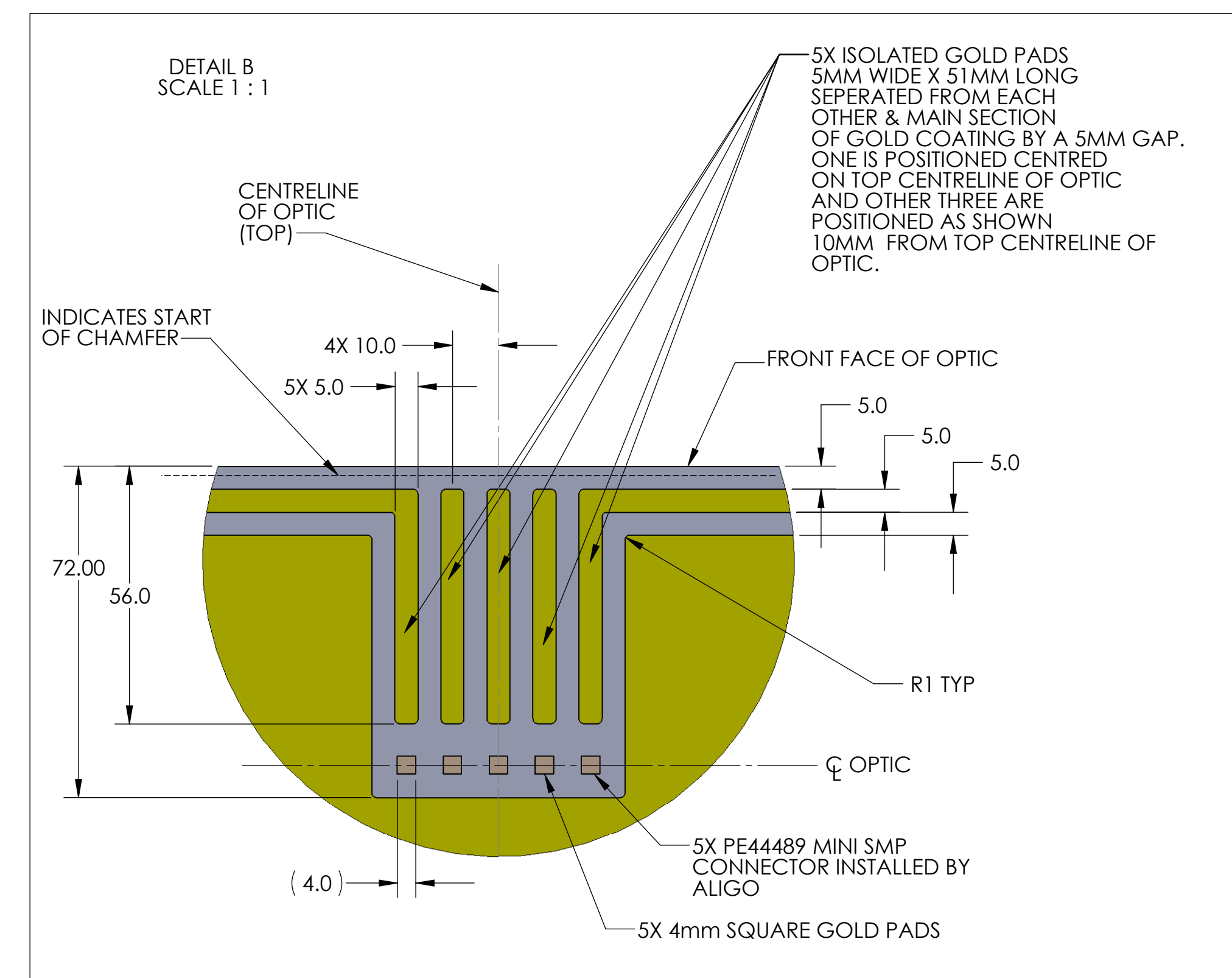
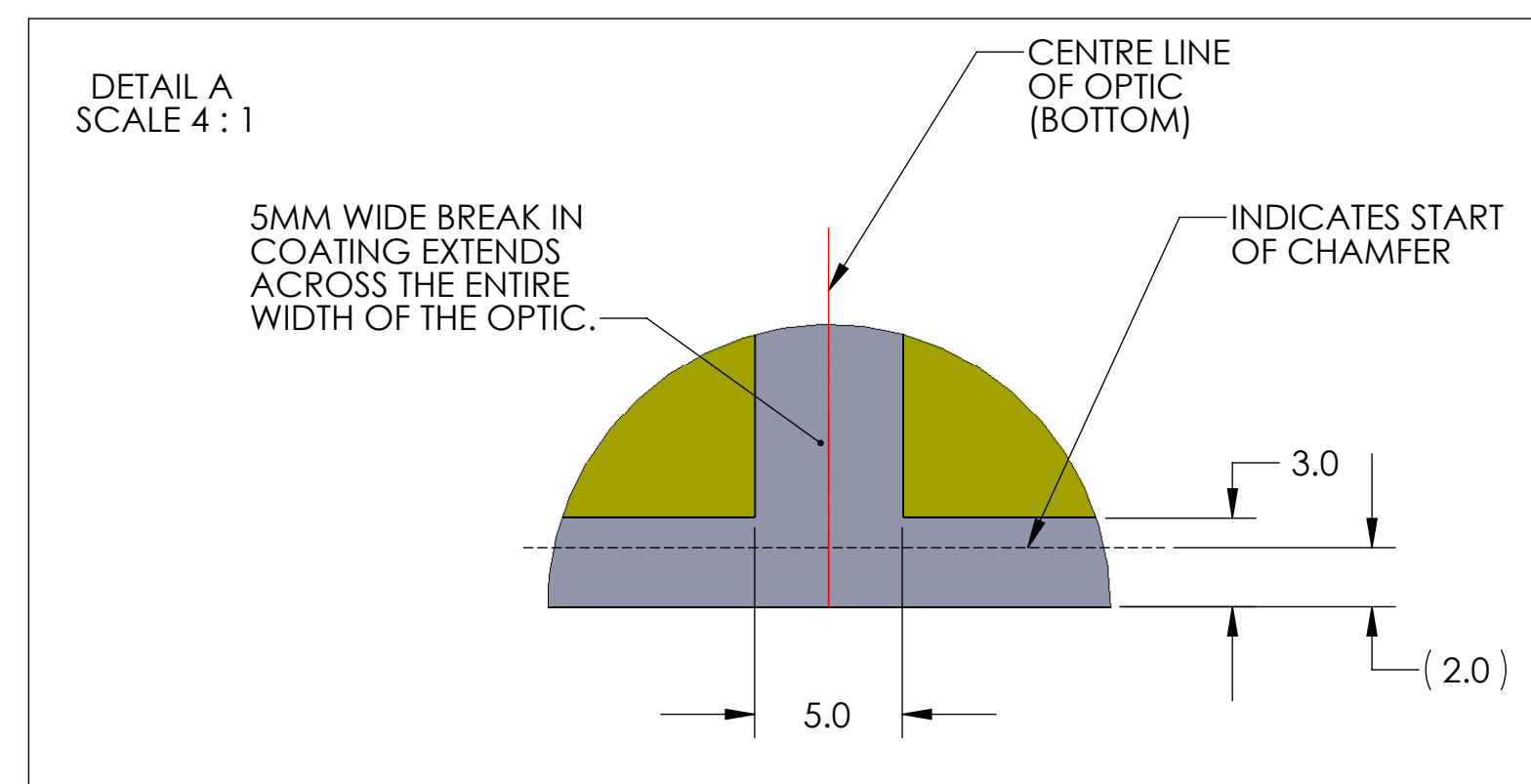
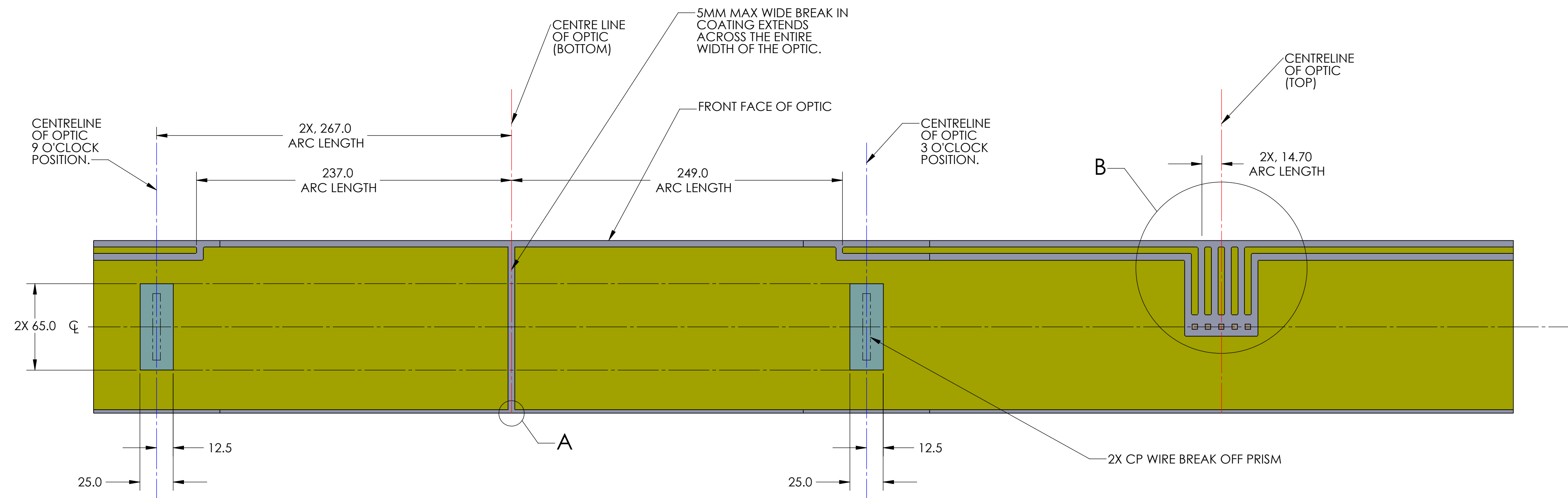


NOTES CONTINUED:

REV.	DATE	DCN #	DRAWING TREE #
v1	11th May 2009	E0900137-v1	
v2	15 OCT 2009	E0900400	
v3	9 NOV 2009	E0900401	
v4	19 NOV 2009	E0900422	
v5	2 DEC 2009	E0900445	
v6	4 DEC 2009	E0900449	

GOLD COATING PATTERN, COMPENSATION PLATE (CP) BARREL,, VIEW SHOWN ROLLED OUT FLAT, REFER TO LIGO-D080659



NOTES AND TOLERANCES: (UNLESS OTHERWISE SPECIFIED)		LIGO CALIFORNIA INSTITUTE OF TECHNOLOGY MASSACHUSETTS INSTITUTE OF TECHNOLOGY		PART NAME	
DIMENSIONS ARE MILLIMETERS		ADV LIGO		GOLD COATING PATTERN, COMPENSATION PLATE (CP) BARREL	
TOLERANCES: .X ± 0.5		COC		DESIGNER	K.BUCKLAND 11/19/09
1. INTERPRET DRAWING PER ASME Y14.5-1994.		NEXT ASSY		DRAFTER	K.BUCKLAND 11/19/09
2. REFER TO SPECIFICATION DOCUMENT E0900112-V1.		MATERIAL		CHECKER	C. TORRIE 11/19/09
		FINISH		APPROVAL	REFER TO DCN
		E0900112-V1		SIZE	DWG. NO.
		E0900112-V1		D	D0900931
				SCALE	NTS
				PROJECTION	
					SHEET 1 OF 1

D0900931_AskLIGO_GOLD COATING PATTERN COMPENSATION PLATE BARREL PART FROM REV-X-010 DRAWING FROM REV-X-017