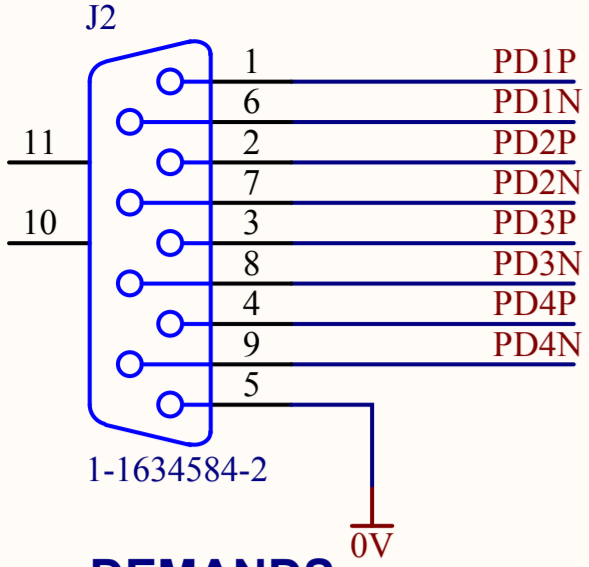
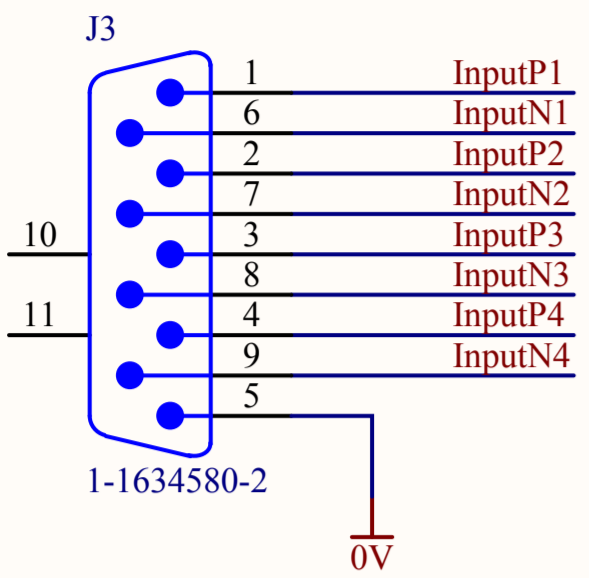


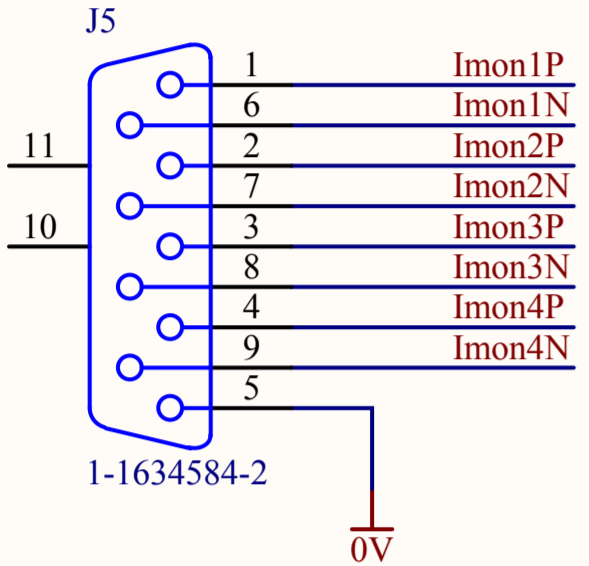
PHOTODIODE OUTPUTS



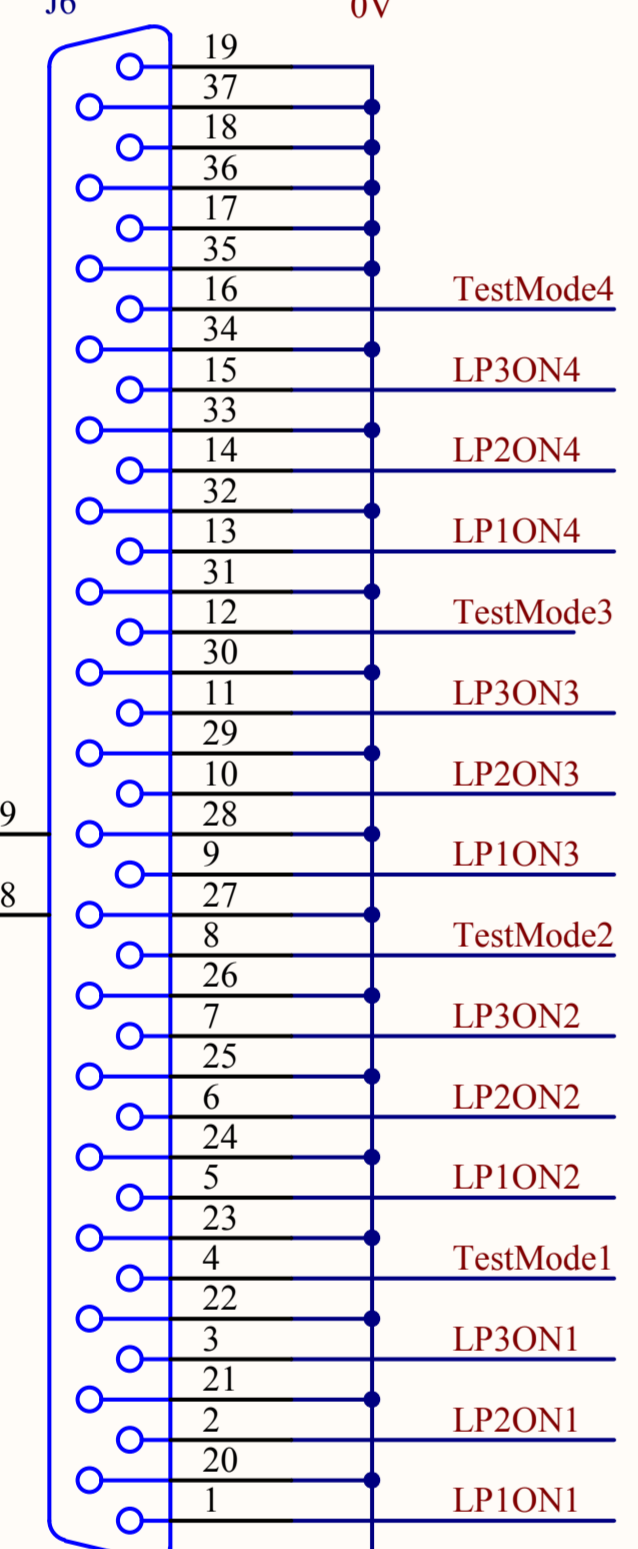
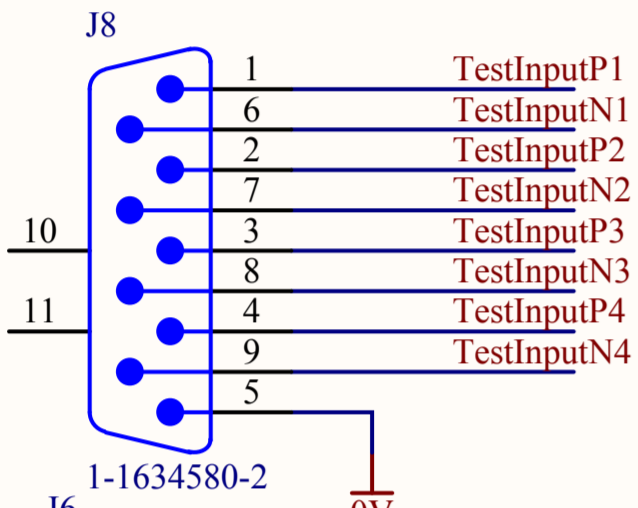
DEMANDS



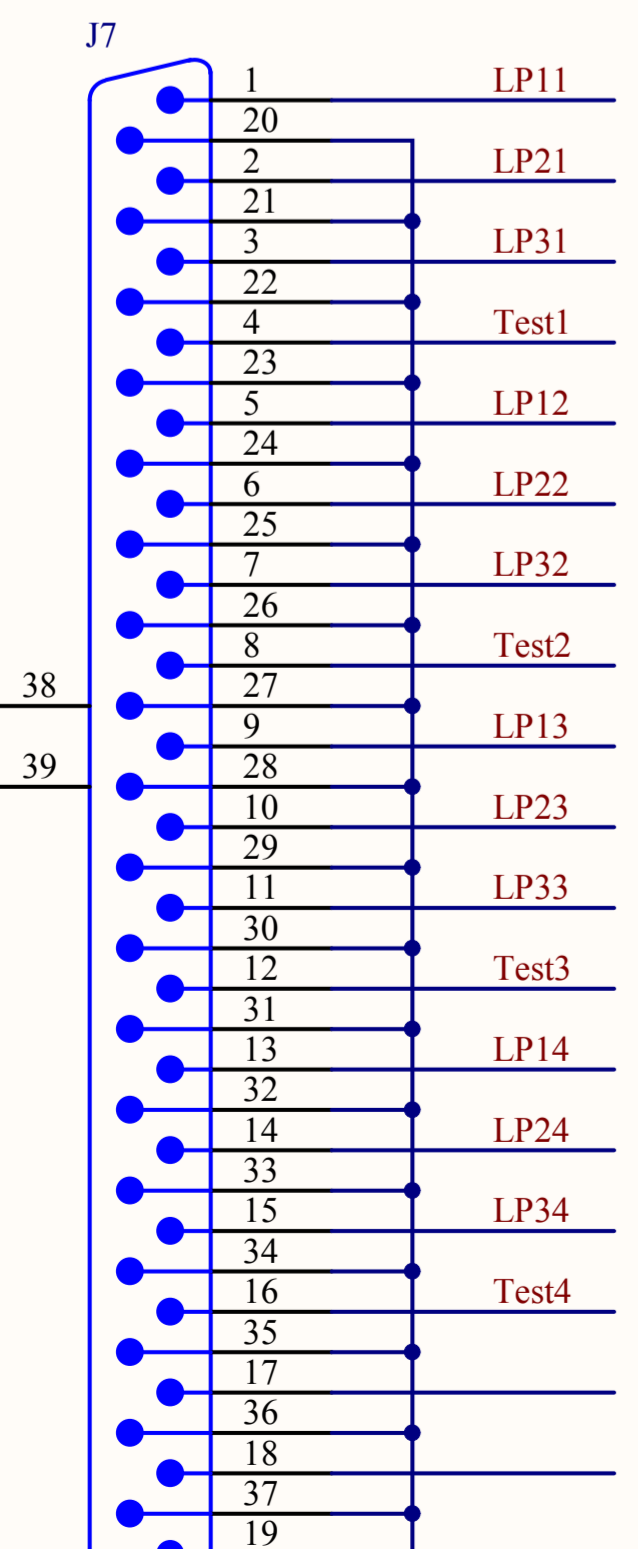
CURRENT SOURCE MONITORS



FRONT PANEL TEST INPUTS



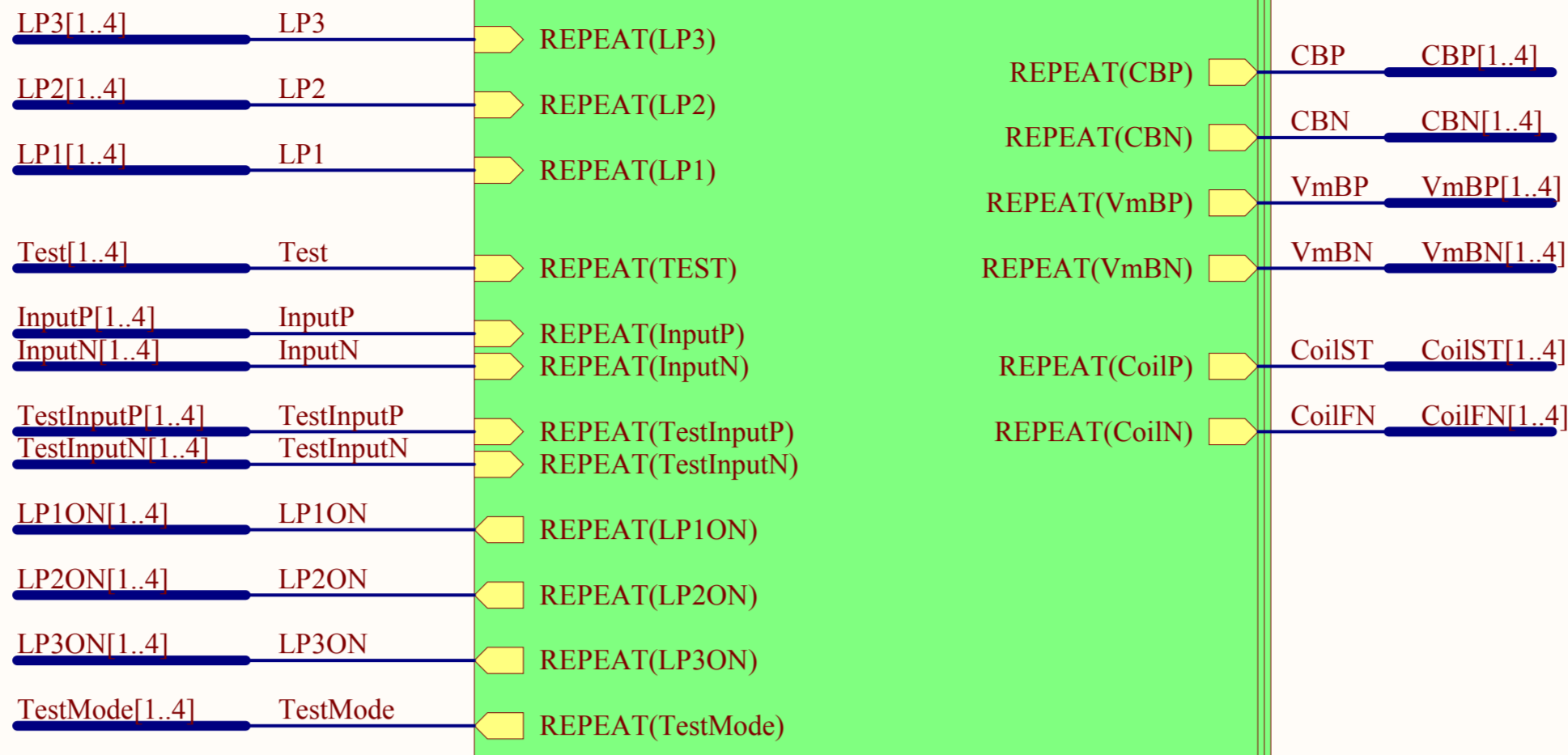
Relay Monitors D Connector 37 Way Female



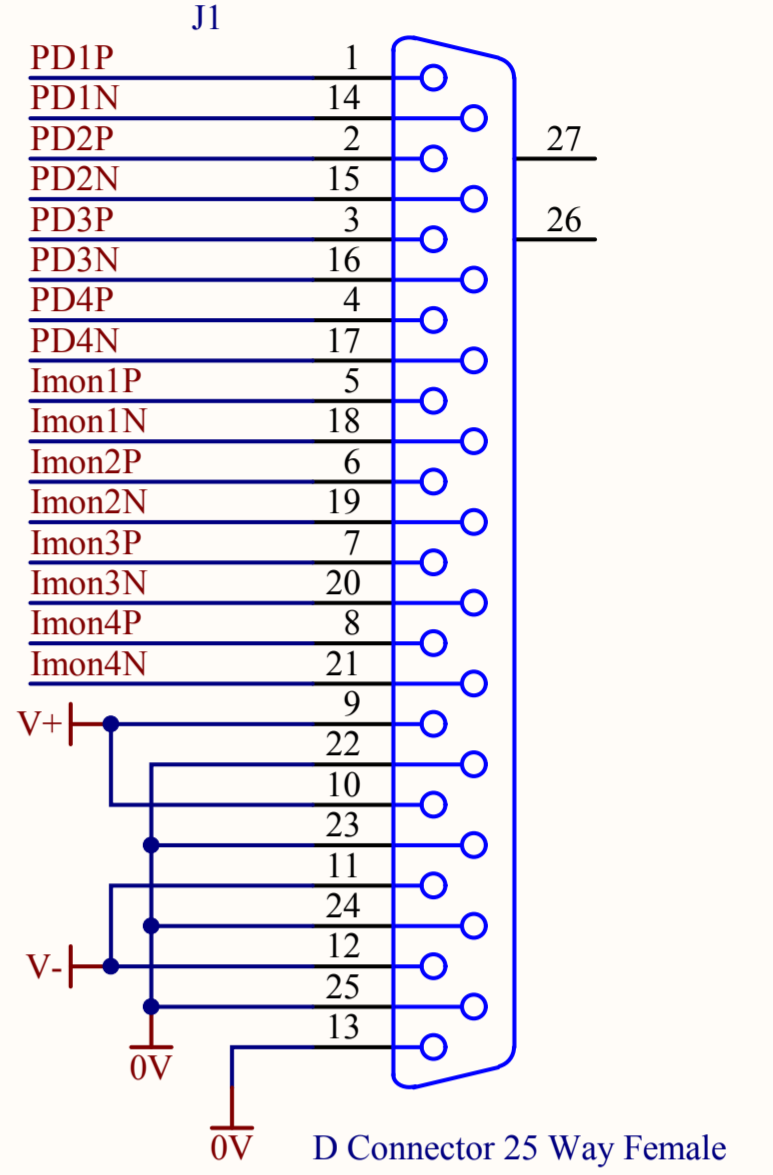
Relay Commands D Connector 37 Way Male

REPEAT(CH,1,4)

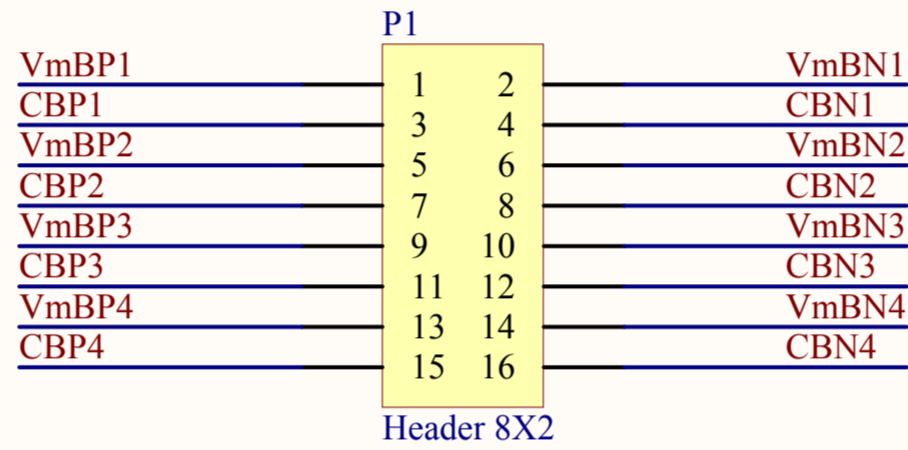
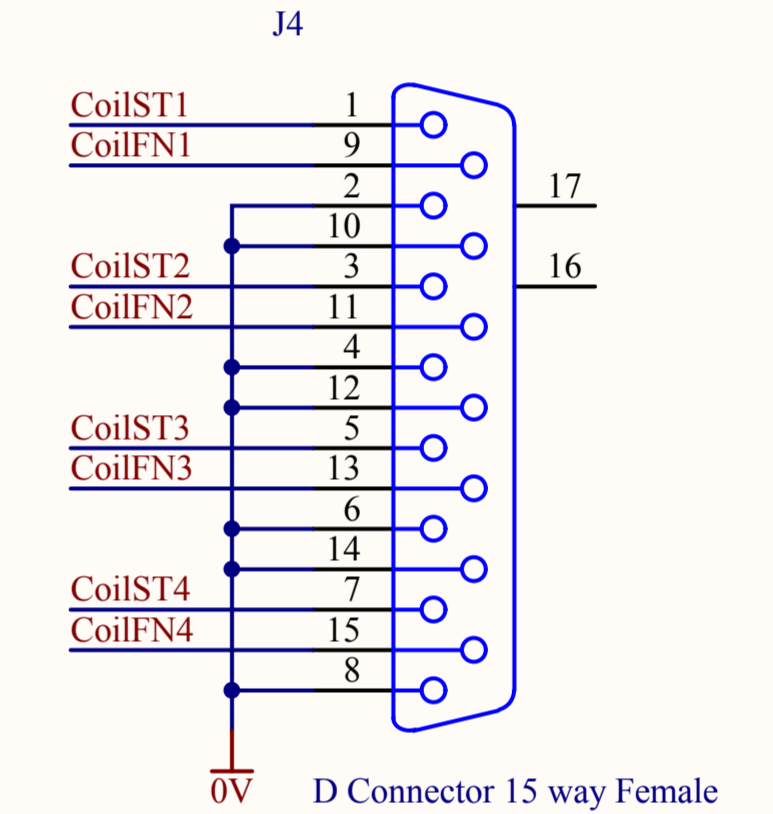
UIM Circuit V4.SchDoc



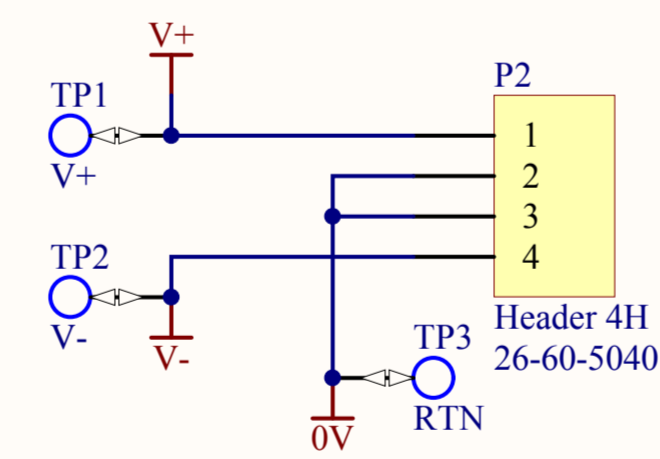
FROM SATELLITE BOX



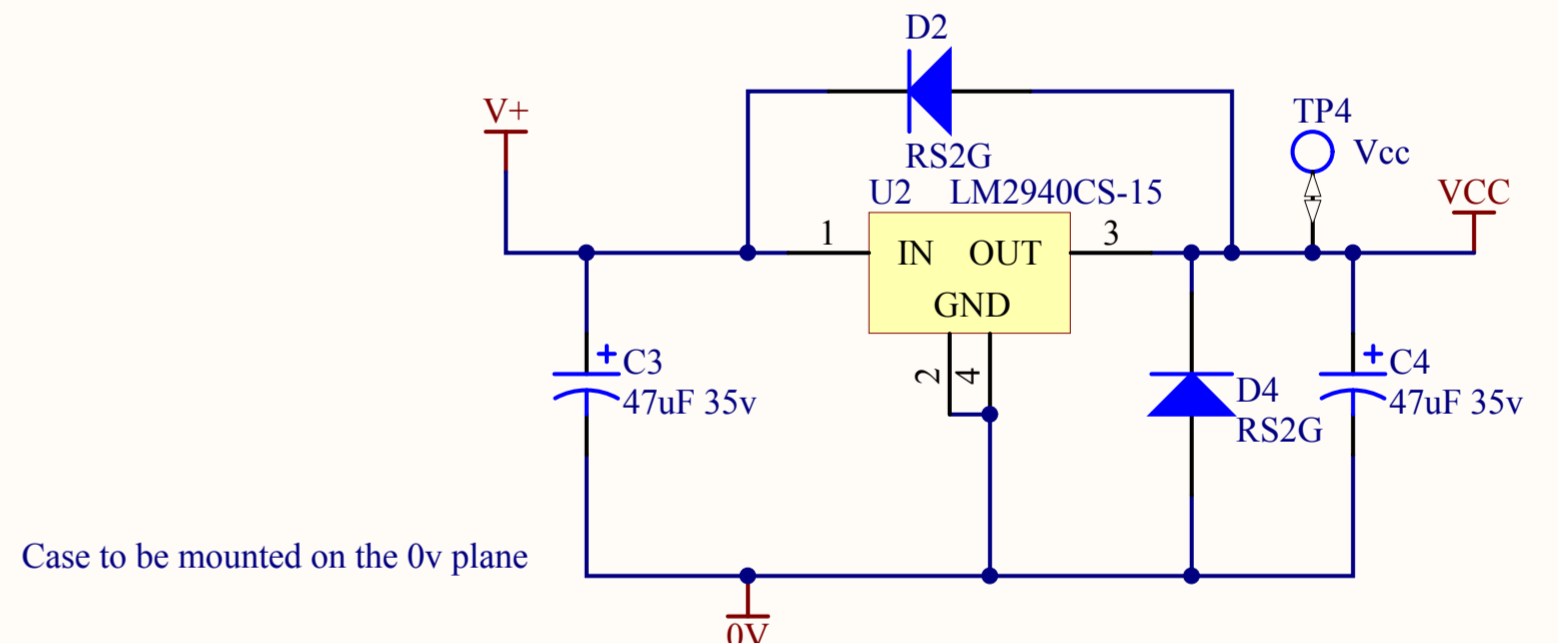
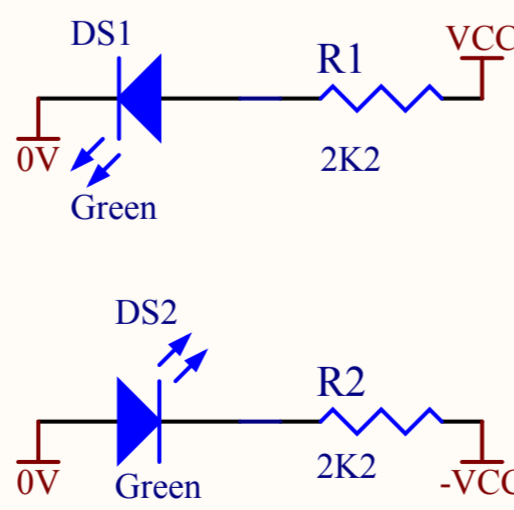
TO SATELLITE BOX



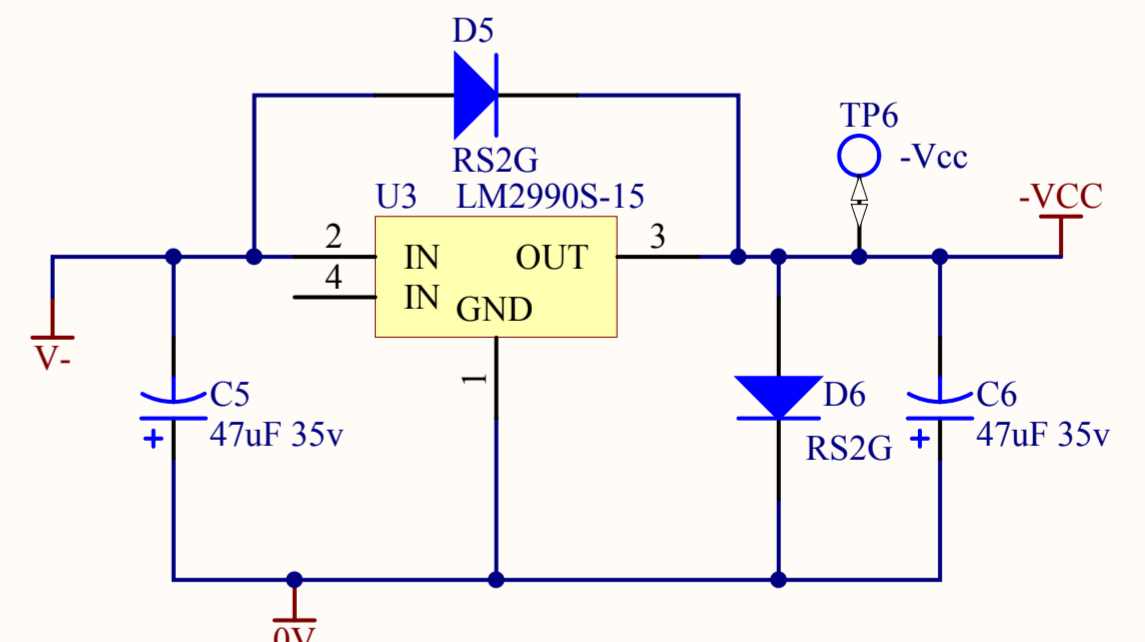
Connections to Monitor Board



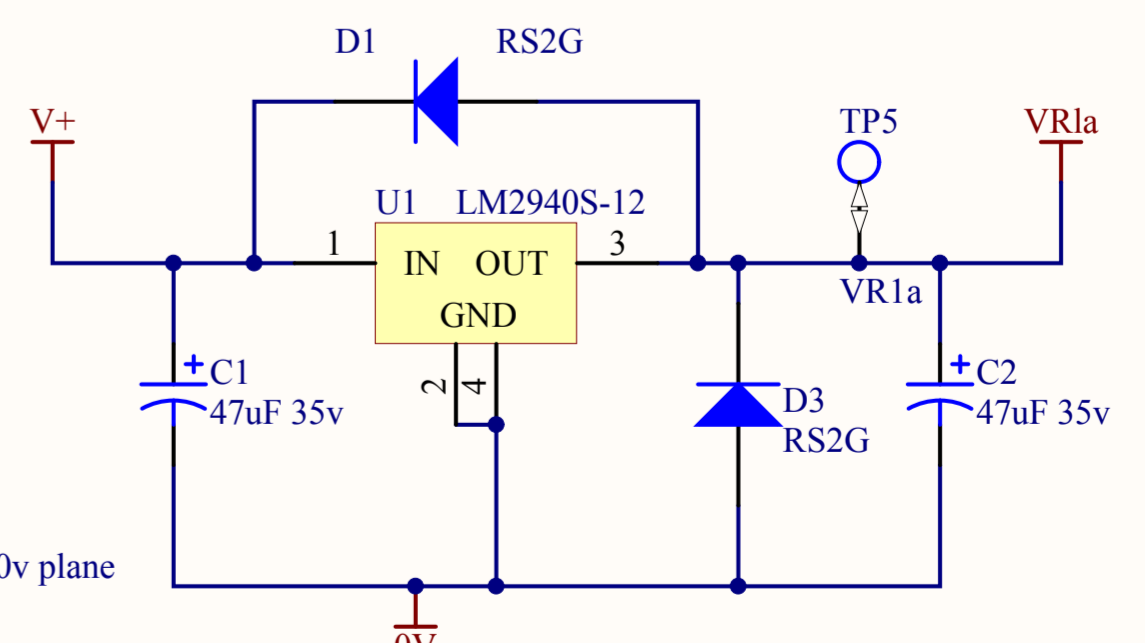
Power connection to rear panel



Case to be mounted on the 0v plane



Case to be mounted on an electrically isolated area of copper at least 1" square.



Case to be mounted on the 0v plane

Pre - Production UIM Drive Board

Size A3	Number D070481-04-K	Revision 4
Date: 20/05/2009	Sheet 1 of 2	
File: G:\RonV...\UIM Board V4.SchDoc	Drawn By: R.M.Cutler	