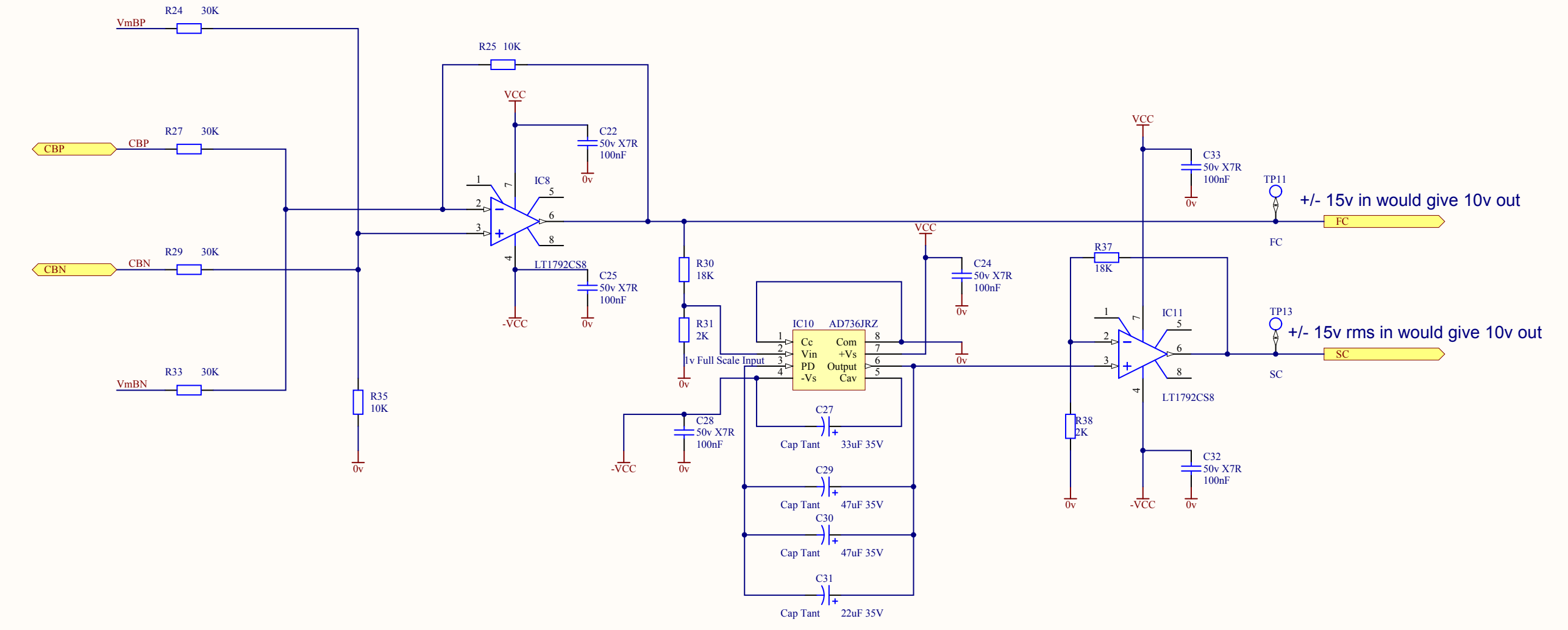
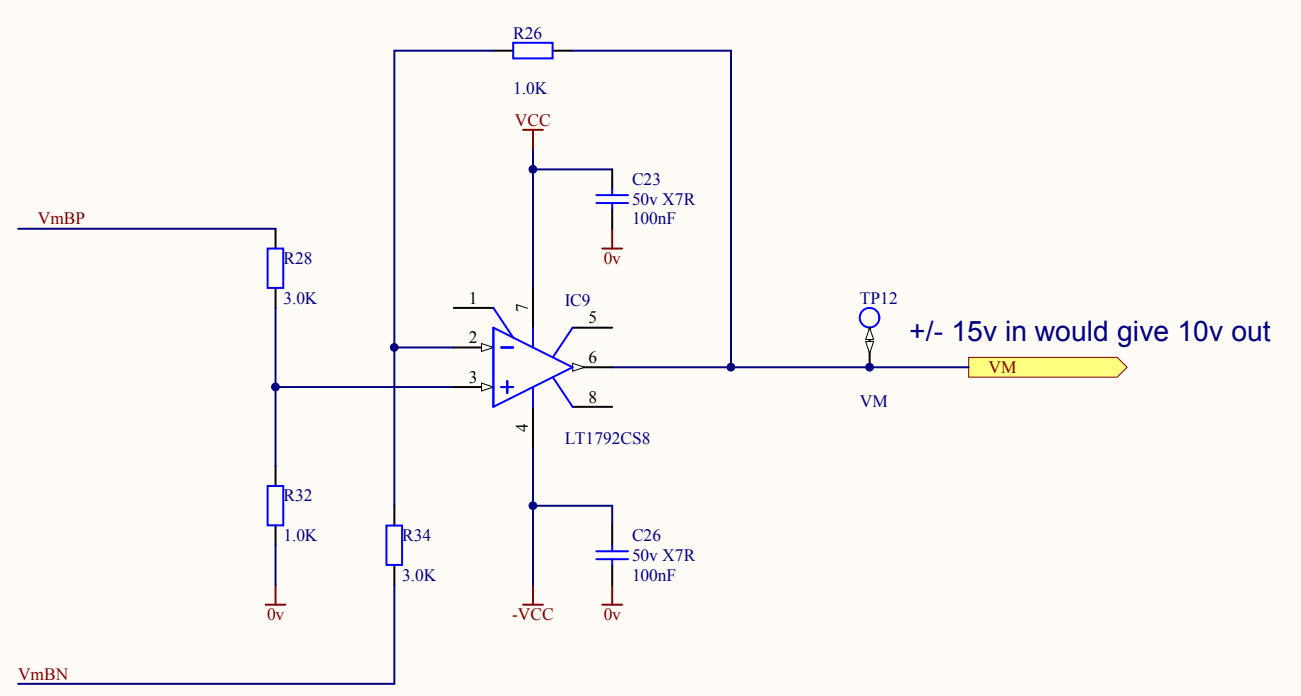
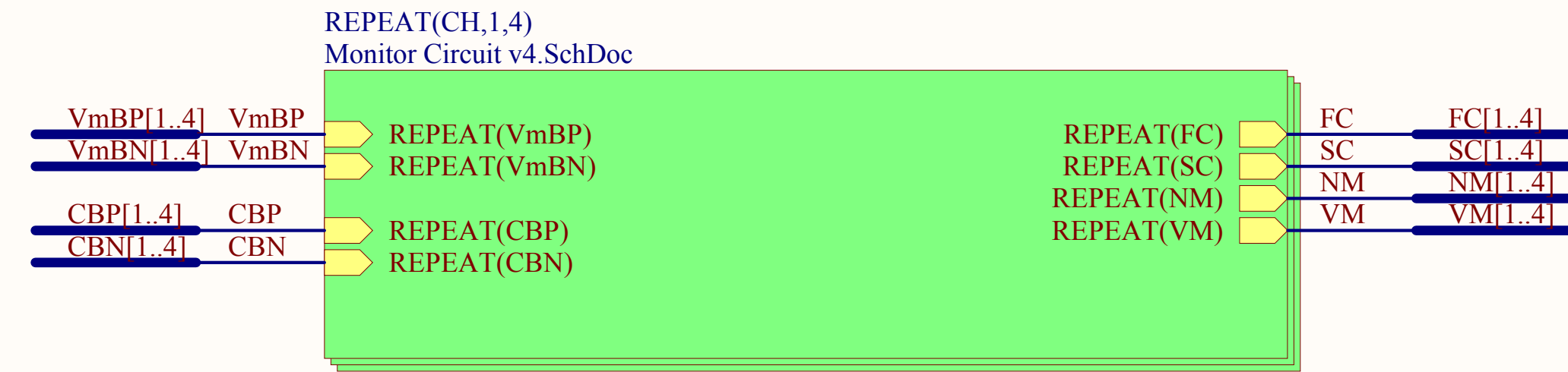
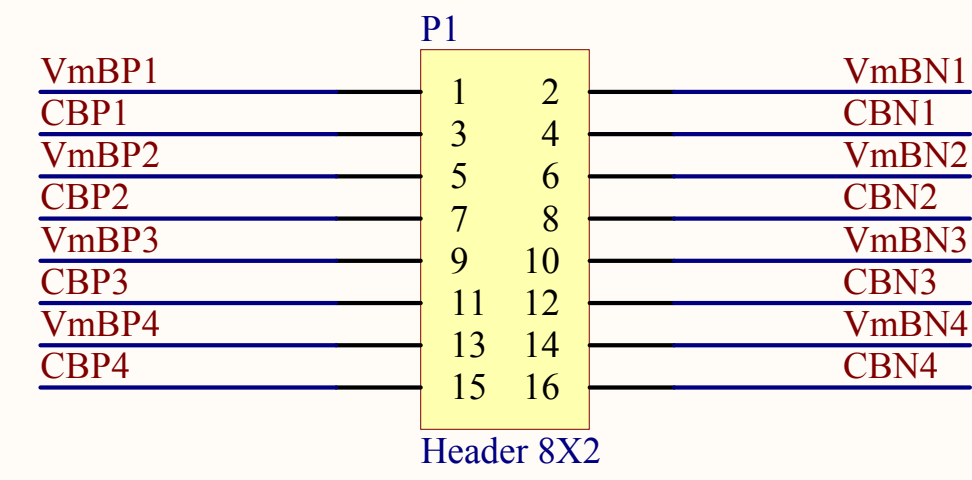


TP14
0V
Located between IC7 and IC10

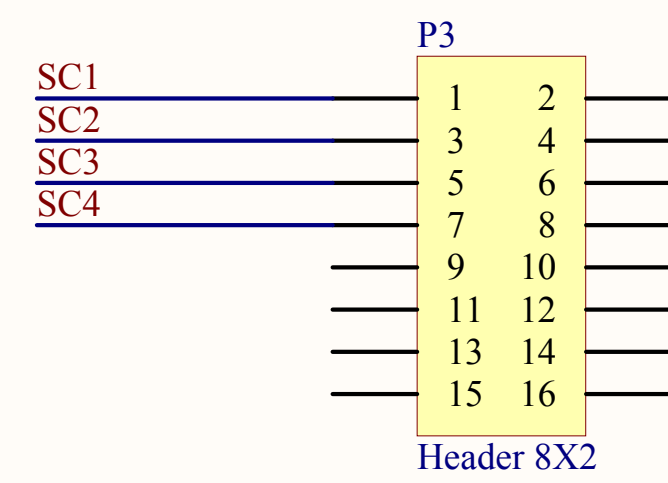
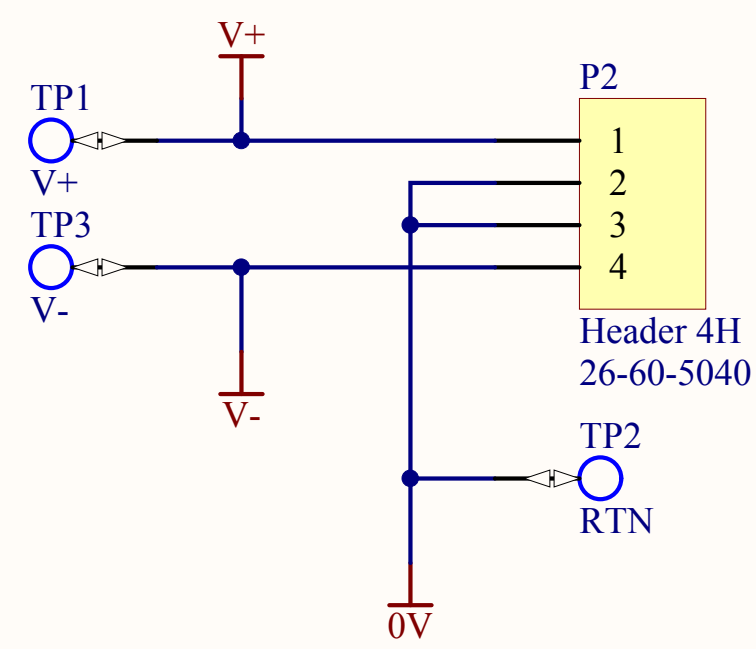


Title			Production Quad Monitor Channel
Size	Number	Revision	
D	D070480-05-K	5	
Date	29/03/2011	Sheet 2 of 2	
File	G:\Rom_Monitor Circuit v5 SchDoc	Drawn By:	R.M Cutler

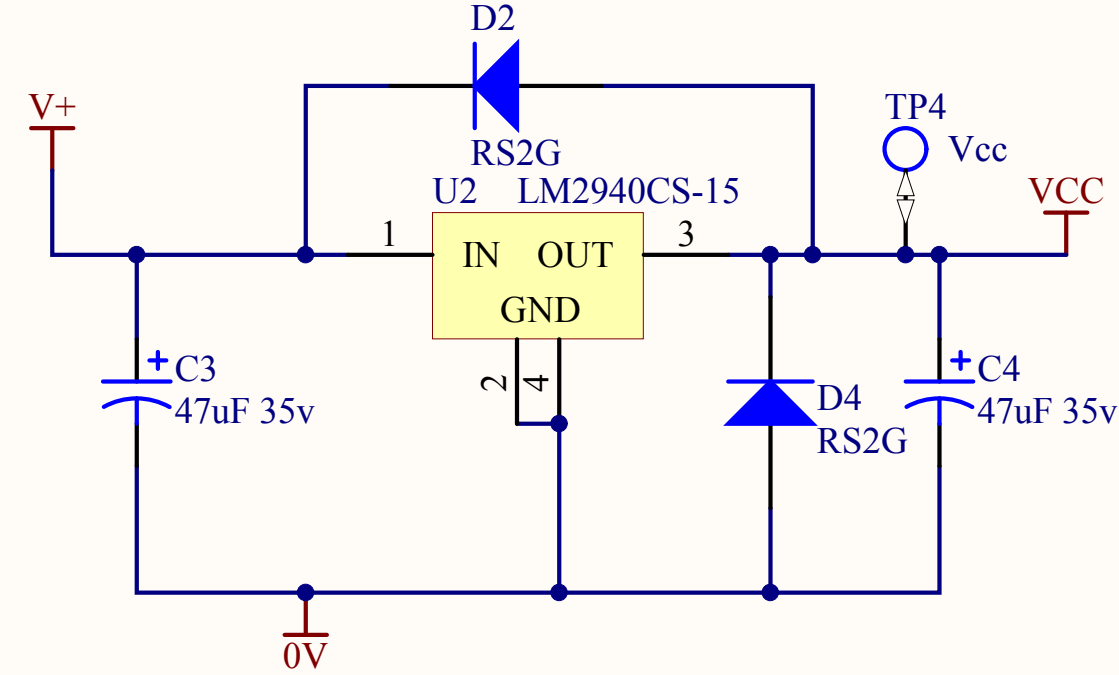
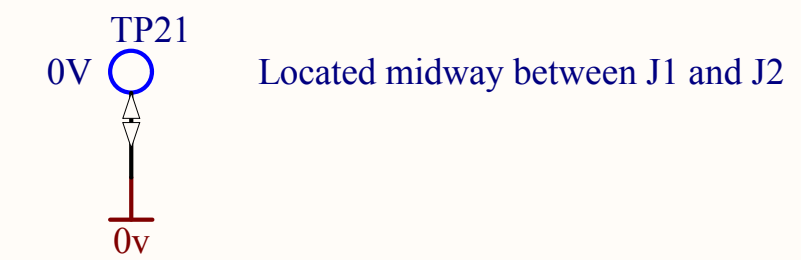
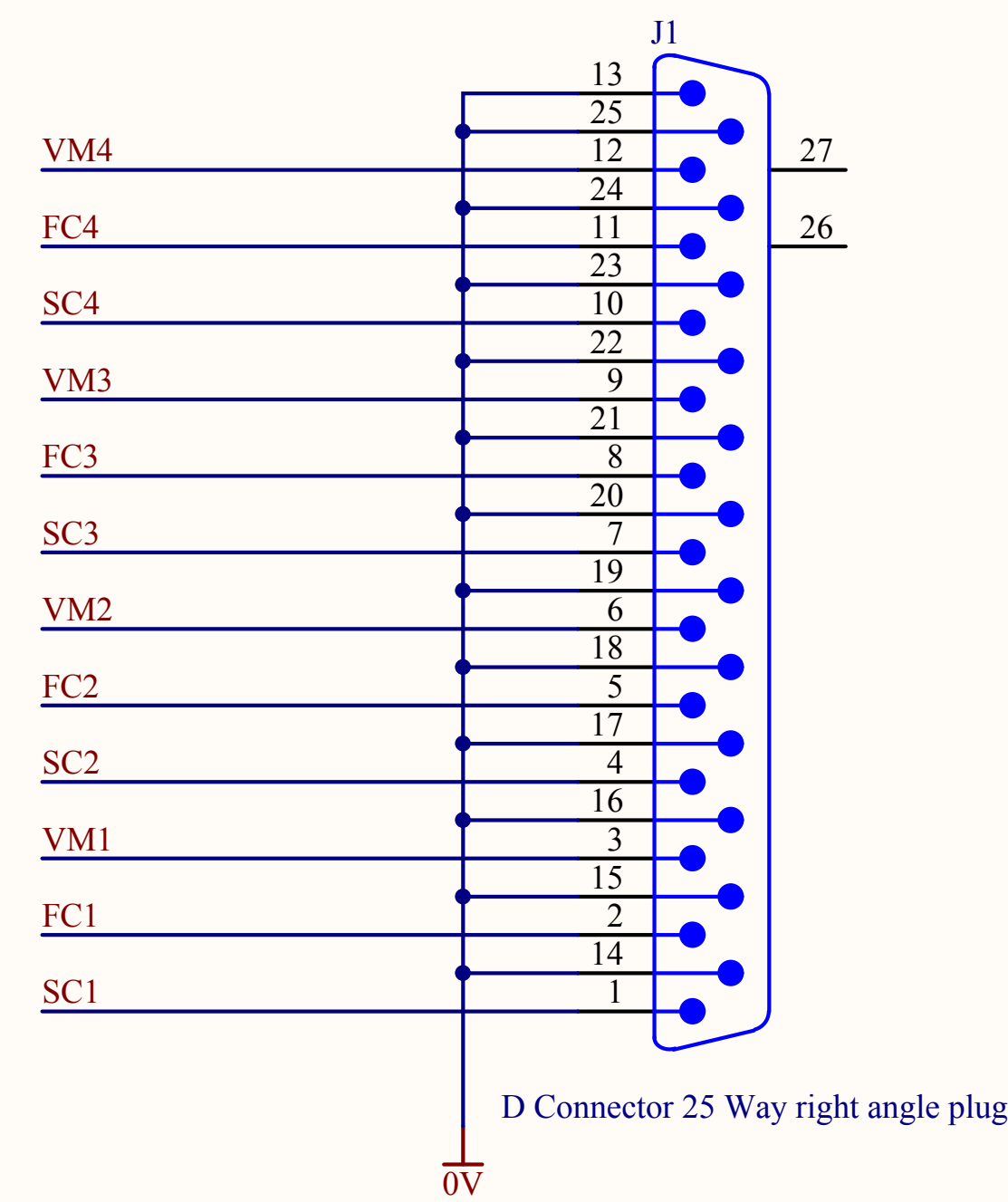
Monitor Connections to Driver Board



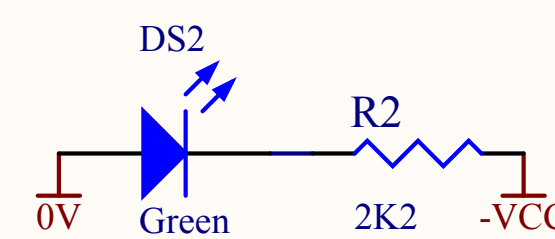
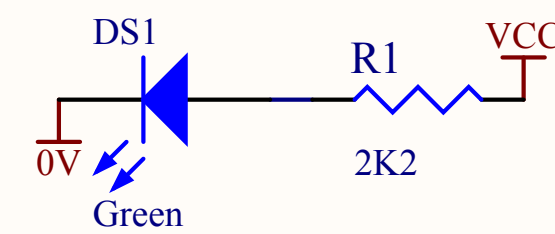
Power connection to Driver board



V, I and rms monitor signals

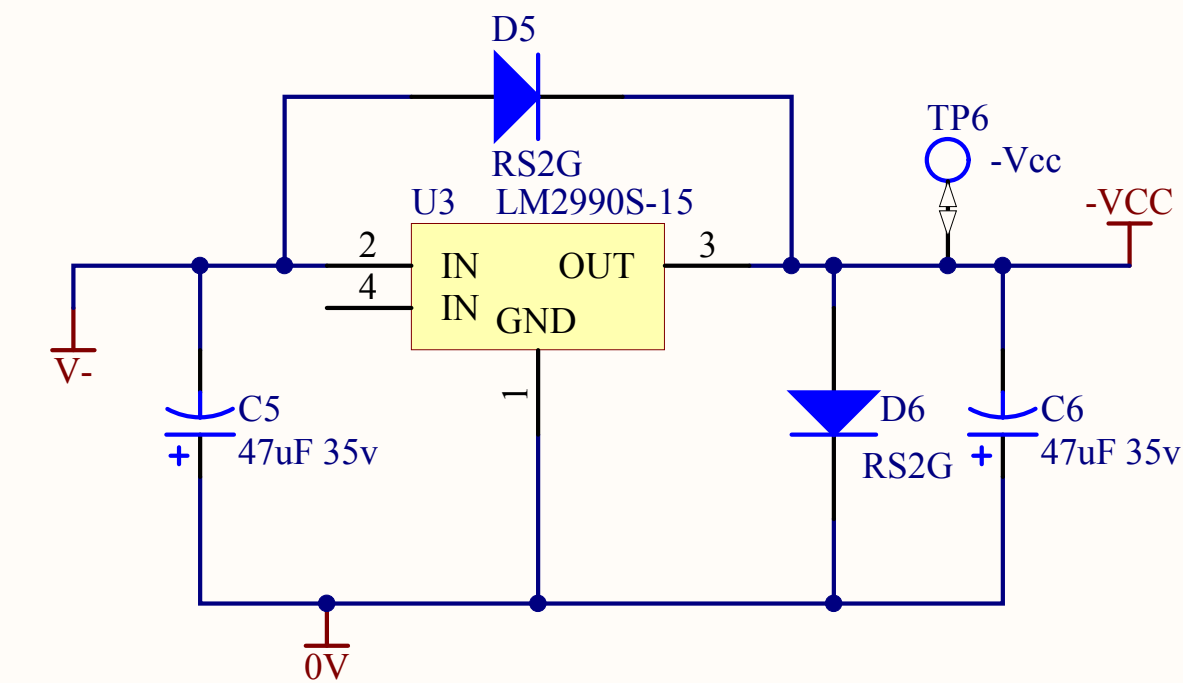
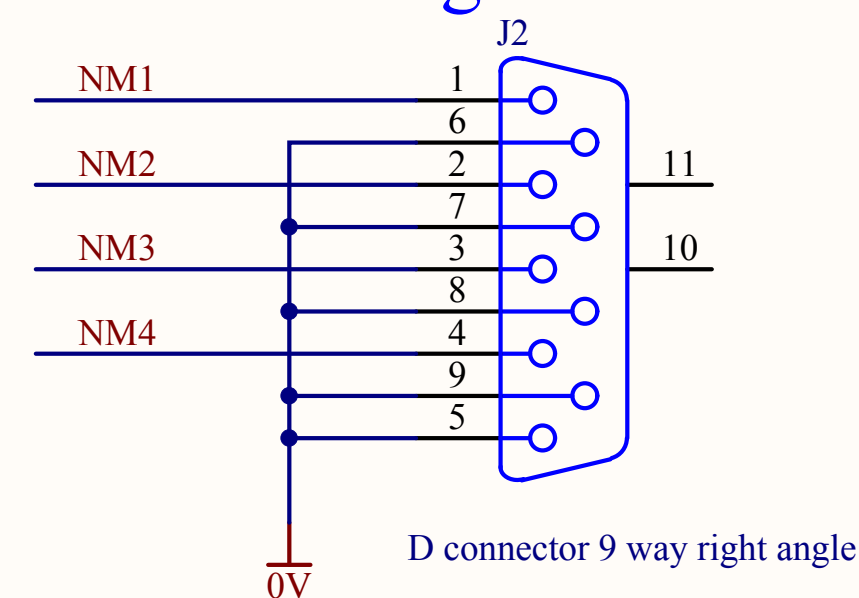


Case to be mounted on the 0v plane



LEDs mounted at back of board

Noise Monitor Signals



Case to be mounted on an electrically isolated area of copper at least 1" square.

Title			Production Quad Monitor Board		
Size	Number	Revision			
B	D070480-05-K	5			
Date:	29/03/2011	Sheet 1 of 2			
File:	G:\Ron\...\MonitorBoard v5.SchDoc	Drawn By:		R.M.Cutler	