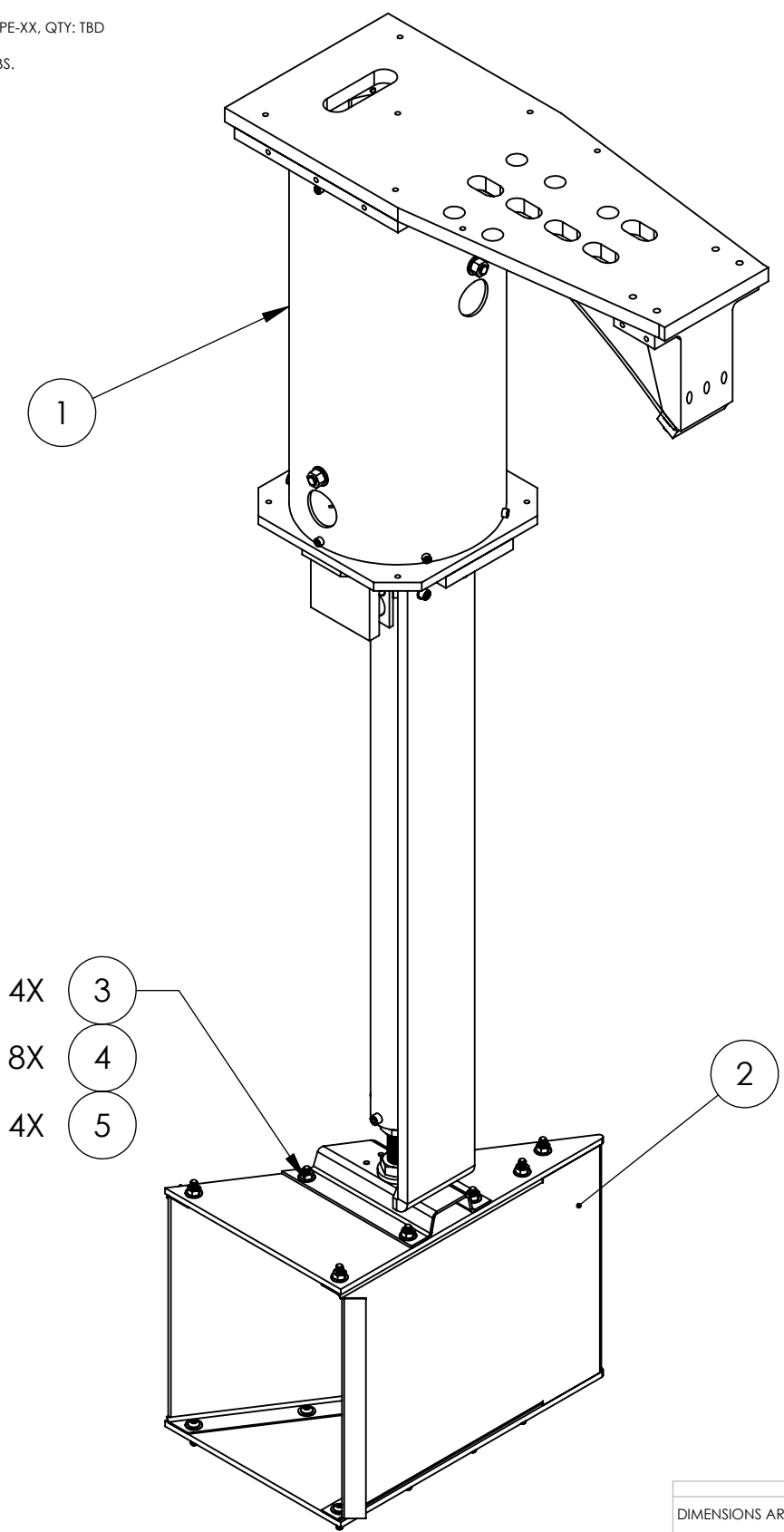


**NOTES CONTINUED:**  
 5. SCRIBE, ENGRAVE, LASER MARK OR MECHANICALLY STAMP (NO DYES OR INKS) A UNIQUE THREE DIGIT SERIAL NUMBER & REVISION NUMBER ON EACH PART. SERIAL NUMBERS START AT 001 FOR THE FIRST ARTICLE AND PROCEED CONSECUTIVELY. BAG AND TAG PARTS WITH THEIR DRAWING PART NUMBER, REVISION, VARIANT OR "TYPE" (IF APPLICABLE), AND QUANTITY. IF PARTS ARE TOO SMALL TO SCRIBE, BAGGING AND TAGGING ALONE IS SUFFICIENT.  
 EXAMPLE (PART): 001-v1  
 EXAMPLE (TAG): DXXXXXX-VY, TYPE-XX, QTY: TBD

REV.	DATE	DCN #	DRAWING TREE #
v1	09 NOV 2011	E1101007	-
-	-	-	-
-	-	-	-

6. APPROXIMATE WEIGHT = 66.777 LBS.



5	92949A541	McMATER, BUTTON SOCKET HEAD CAP SCREW, 1/4-20 X .875 LG	18-8 SSSL	4		0
4	MS 15795-852	FLAT WASHER, .266 ID X .63 OD X .032 THK (OR EQUIV)	300 SSSL	8		0
3	N-2520-A	UC-COMP, HEX NUT, .25-20	Ag-PLATED 300 SSSL	4		0
2	D1102105	ALIGO AOS SLC FOLD MIRROR BEAM DUMP BAFFLE ASSY	N/A	1	0	0
1	D1101897	ALIGO AOS SLC FOLD MIRROR BEAM DUMP SUSPENSION ASSY	N/A	1	0	0
ITEM NO.	PART NUMBER	DESCRIPTION	MATERIAL	QTY.	SPARE	TOTAL

**PARTS LIST**

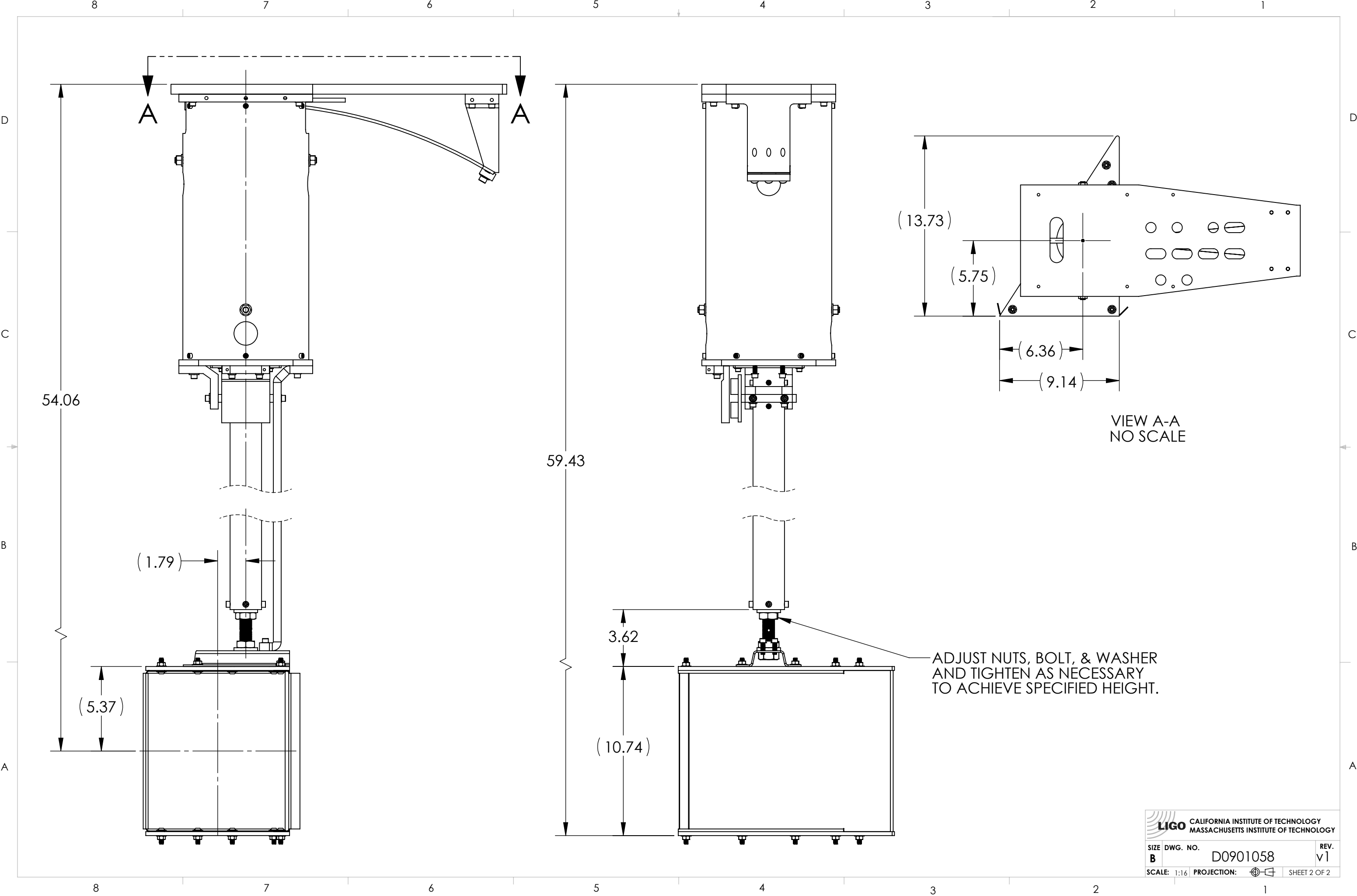
**NOTES AND TOLERANCES: (UNLESS OTHERWISE SPECIFIED)**  
 DIMENSIONS ARE IN INCHES  
 TOLERANCES:  
 .XX ± .02  
 .XXX ± .005  
 ANGULAR ± 1.0°  
 1. INTERPRET DRAWING PER ASME Y14.5-1994.  
 2. REMOVE ALL SHARP EDGES, .005-.015, FOR MACHINED PARTS. ROUND ALL EDGES APPROXIMATELY R.02 FOR SHEET METAL PARTS.  
 3. DO NOT SCALE FROM DRAWING.  
 4. ALL MACHINING FLUIDS MUST BE FULLY SYNTHETIC, FULLY WATER SOLUBLE AND FREE OF SULFUR, SILICONE, AND CHLORINE.

**MATERIAL** N/A **FINISH** N/A μinch

CALIFORNIA INSTITUTE OF TECHNOLOGY MASSACHUSETTS INSTITUTE OF TECHNOLOGY		<b>PART NAME</b> ALIGO AOS SLC FM BEAM DUMP FINAL ASSY	
<b>SYSTEM</b> ADVANCED LIGO	<b>SUB-SYSTEM</b> AOS	<b>DESIGNER</b> M. SMITH	<b>SIZE DWG. NO.</b> B
<b>DRAFTER</b> J. TERRAZAS	09 NOV 2011	<b>DWG. NO.</b> D0901058	
<b>CHECKER</b> M. SMITH	09 NOV 2011	<b>REV.</b> v1	SHEET 1 OF 2
<b>APPROVAL</b> D. COYNE	SCALE: 1:16	PROJECTION:	SHEET 1 OF 2

D0901058\_AdlIGO\_AOS\_SLC Fold Mirror Beam Dump Final Assy, PART PDM REV: X-037, DRAWING PDM REV: X-009

D0901058\_AcLIGO\_AOS\_SLC Fold Mirror Beam Dump Final Assy, PART PDM REV: X-037, DRAWING PDM REV: X-009



**LIGO** CALIFORNIA INSTITUTE OF TECHNOLOGY  
 MASSACHUSETTS INSTITUTE OF TECHNOLOGY

SIZE	DWG. NO.	REV.
B	D0901058	v1
SCALE: 1:16 PROJECTION:		SHEET 2 OF 2