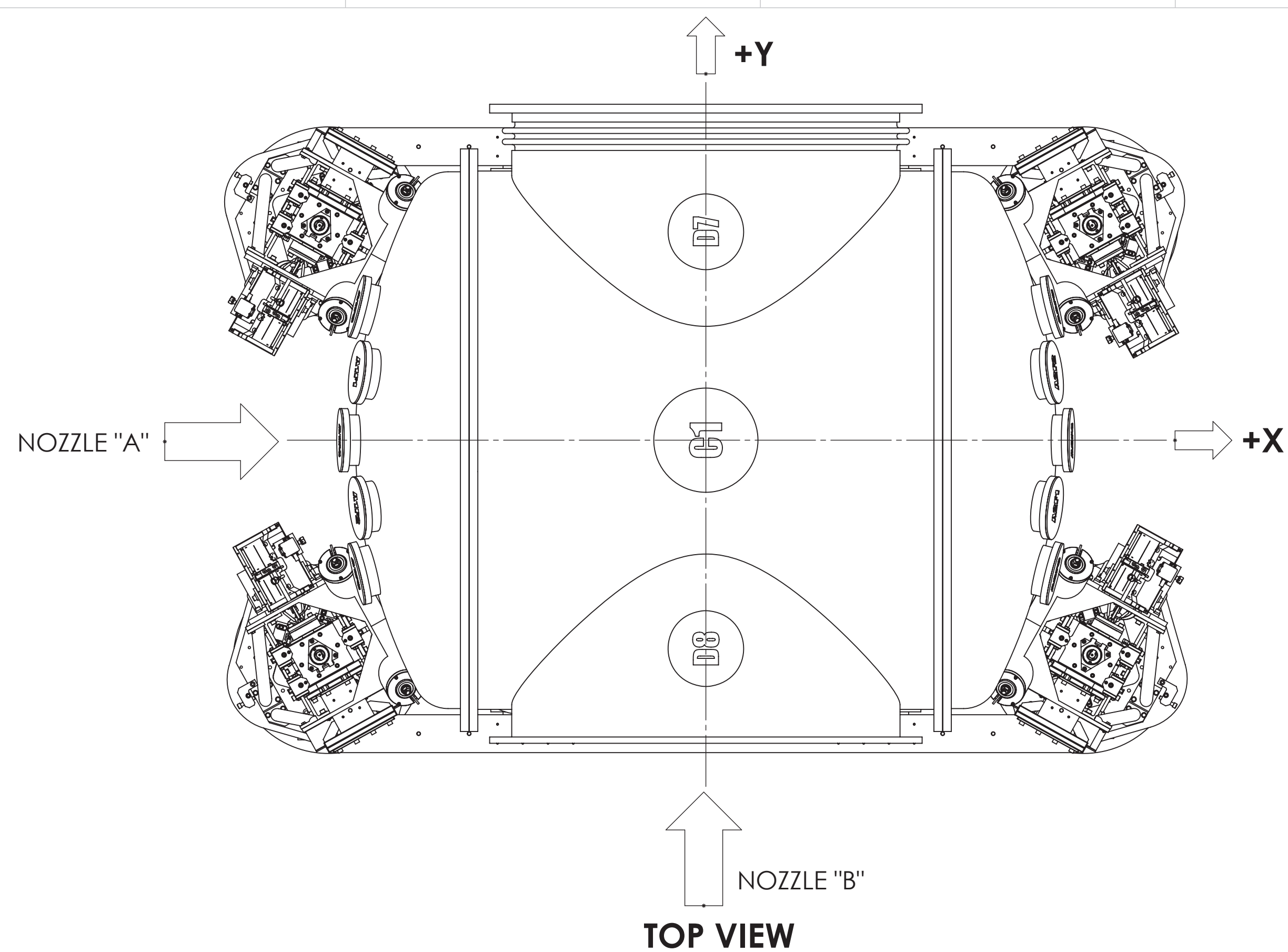
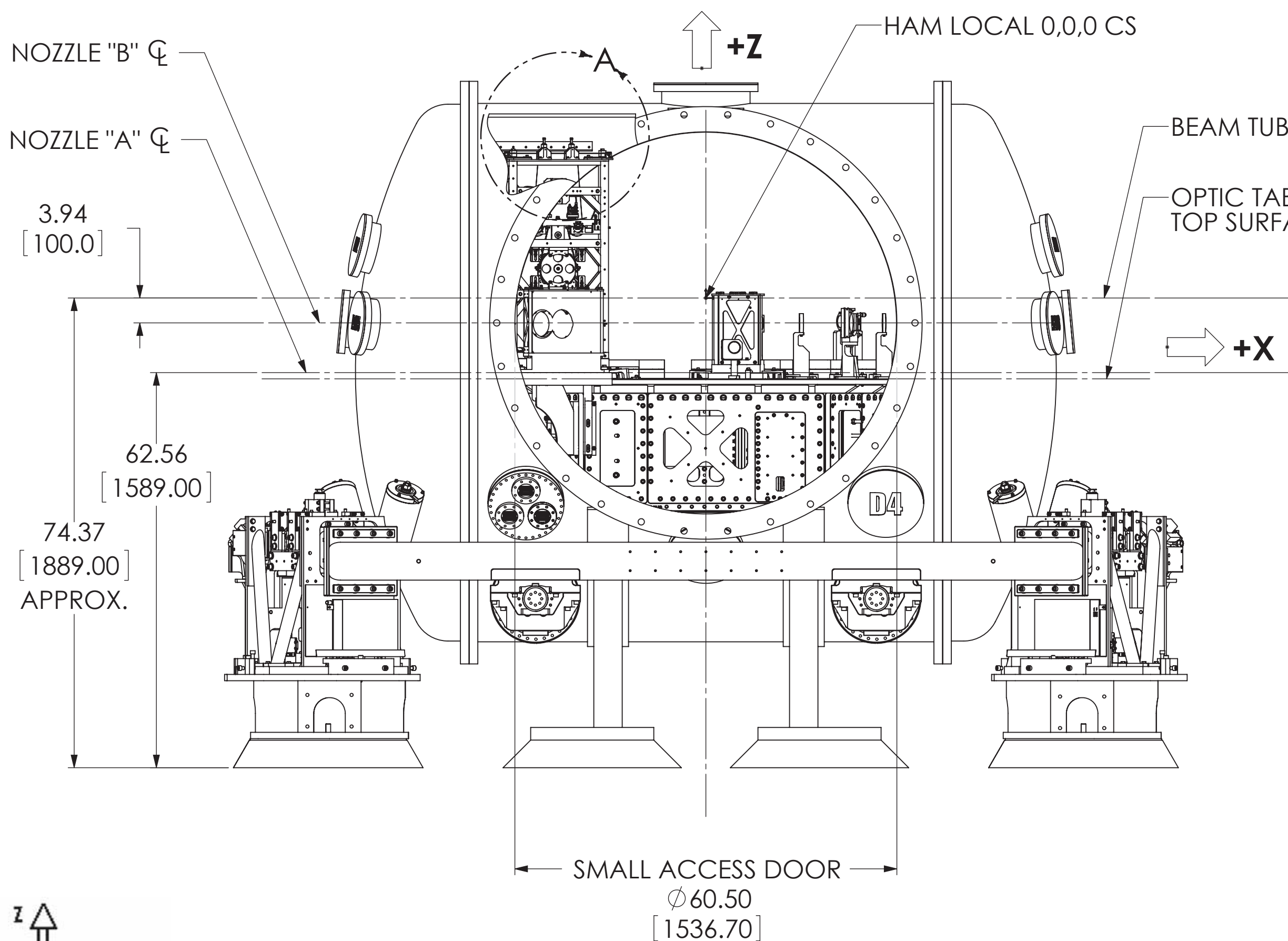


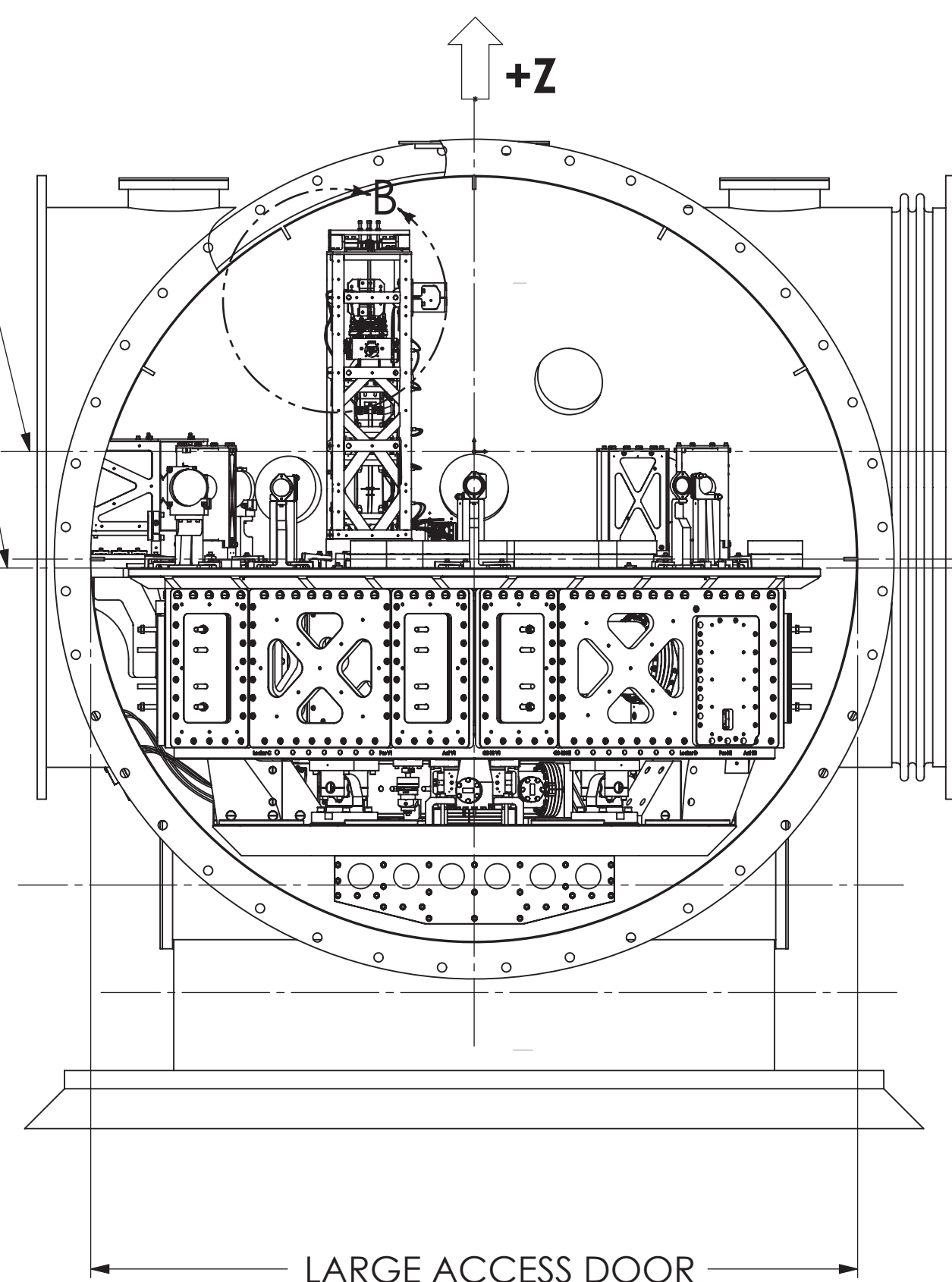
REV.	DATE	DCH #	DRAWING TREE #
v6	09 MAY 2013	E1300364-x0	
v8	16 JUL 2014	E1400331-x0	



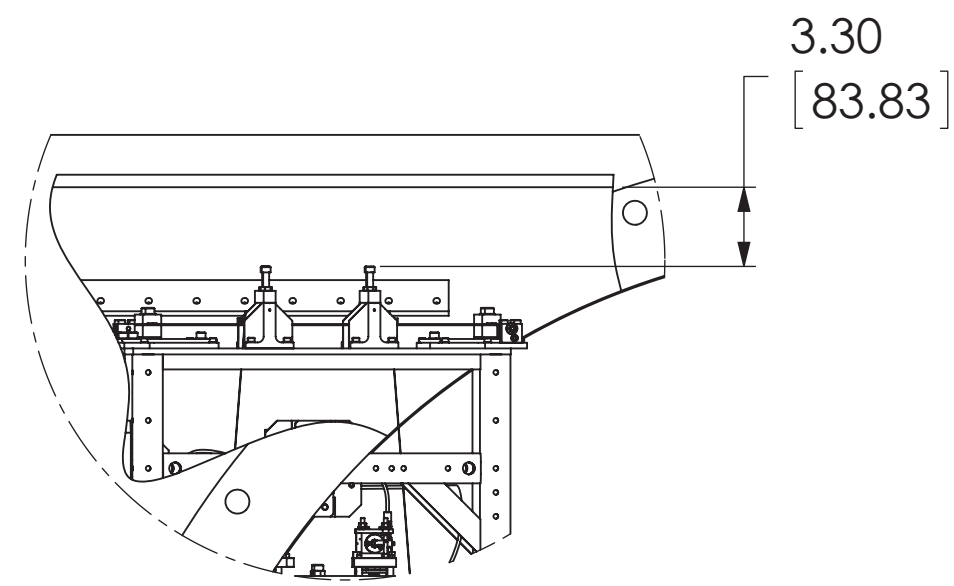
TOP VIEW



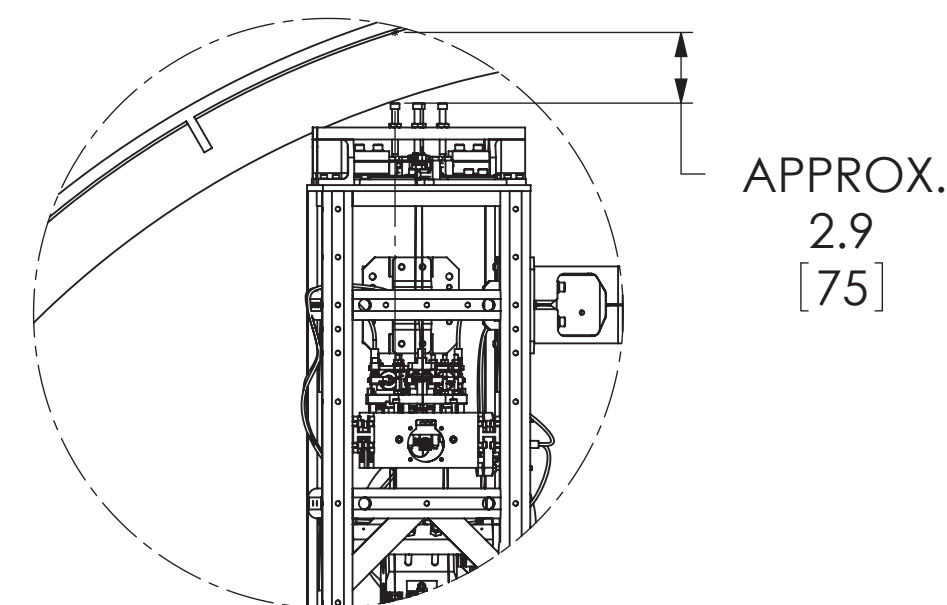
FRONT VIEW



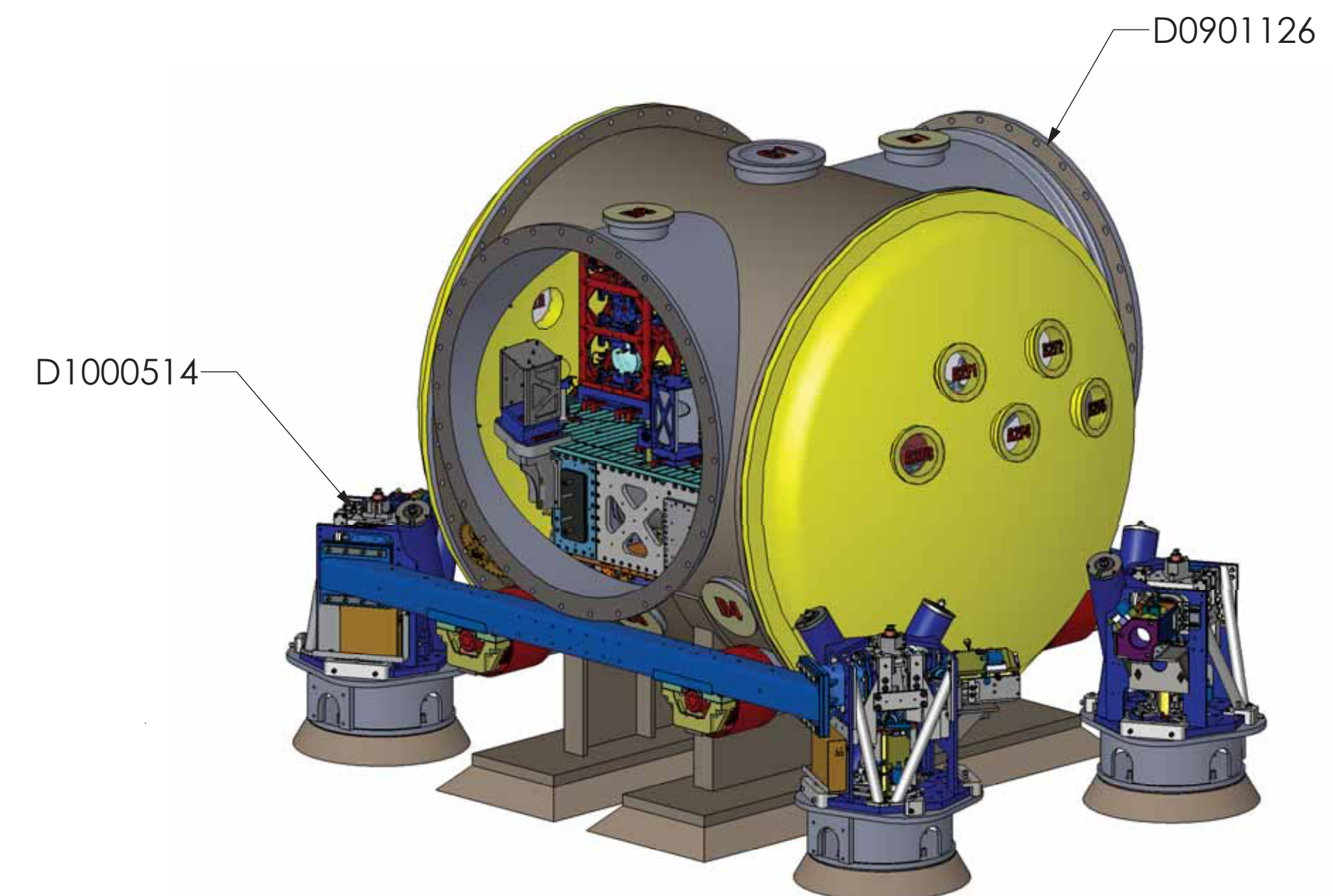
RIGHT VIEW



DETAIL A
SCALE 1:8

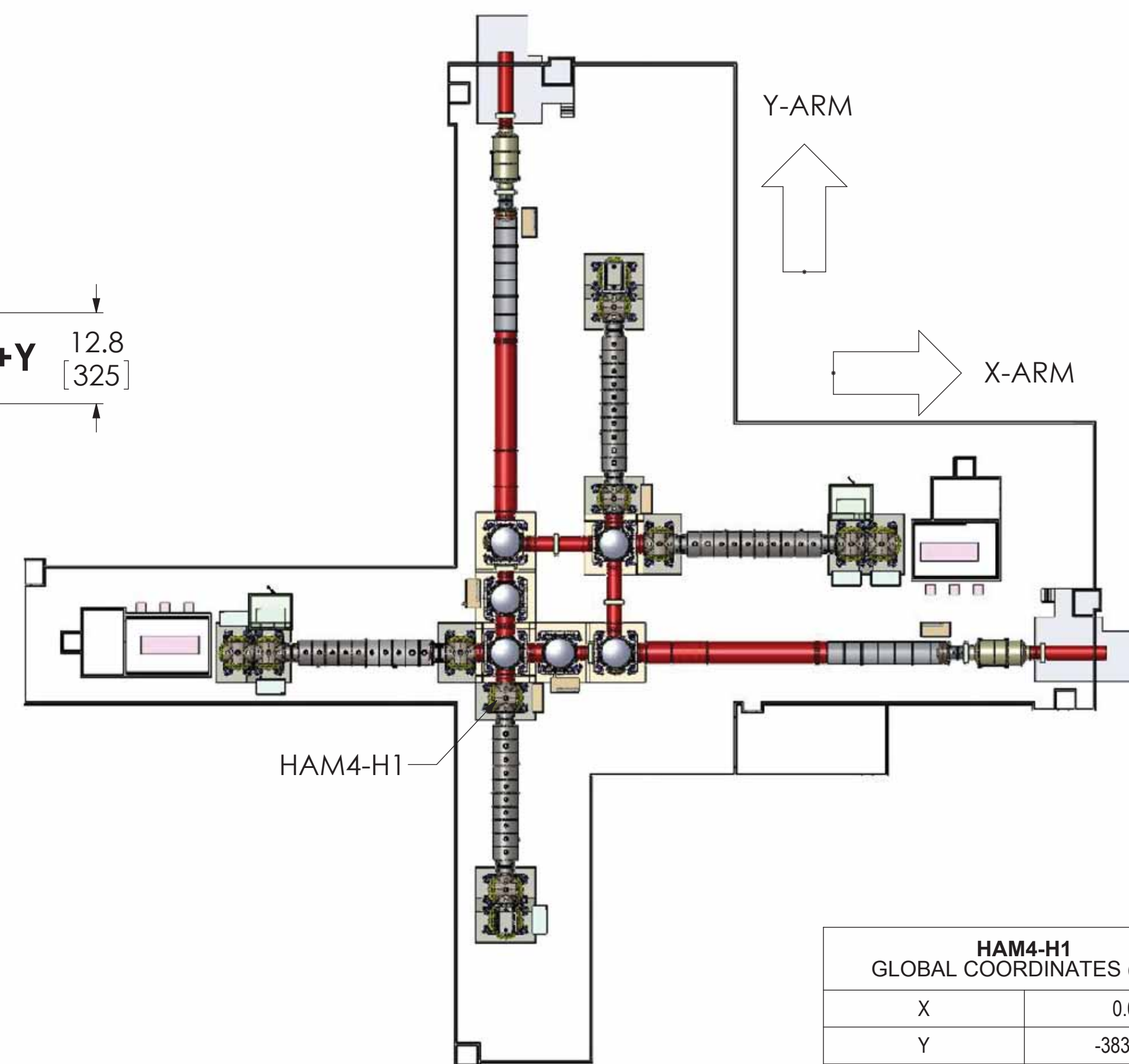


DETAIL B
SCALE 1:8

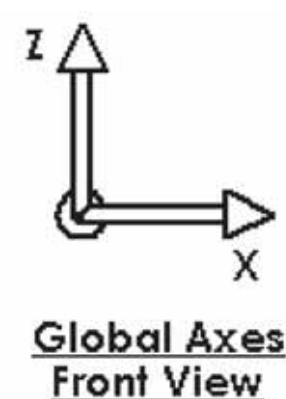


D1000514

D0901126



HAM4-H1 GLOBAL COORDINATES (mm)	
X	0.0
Y	-3831.0
Z	0.0



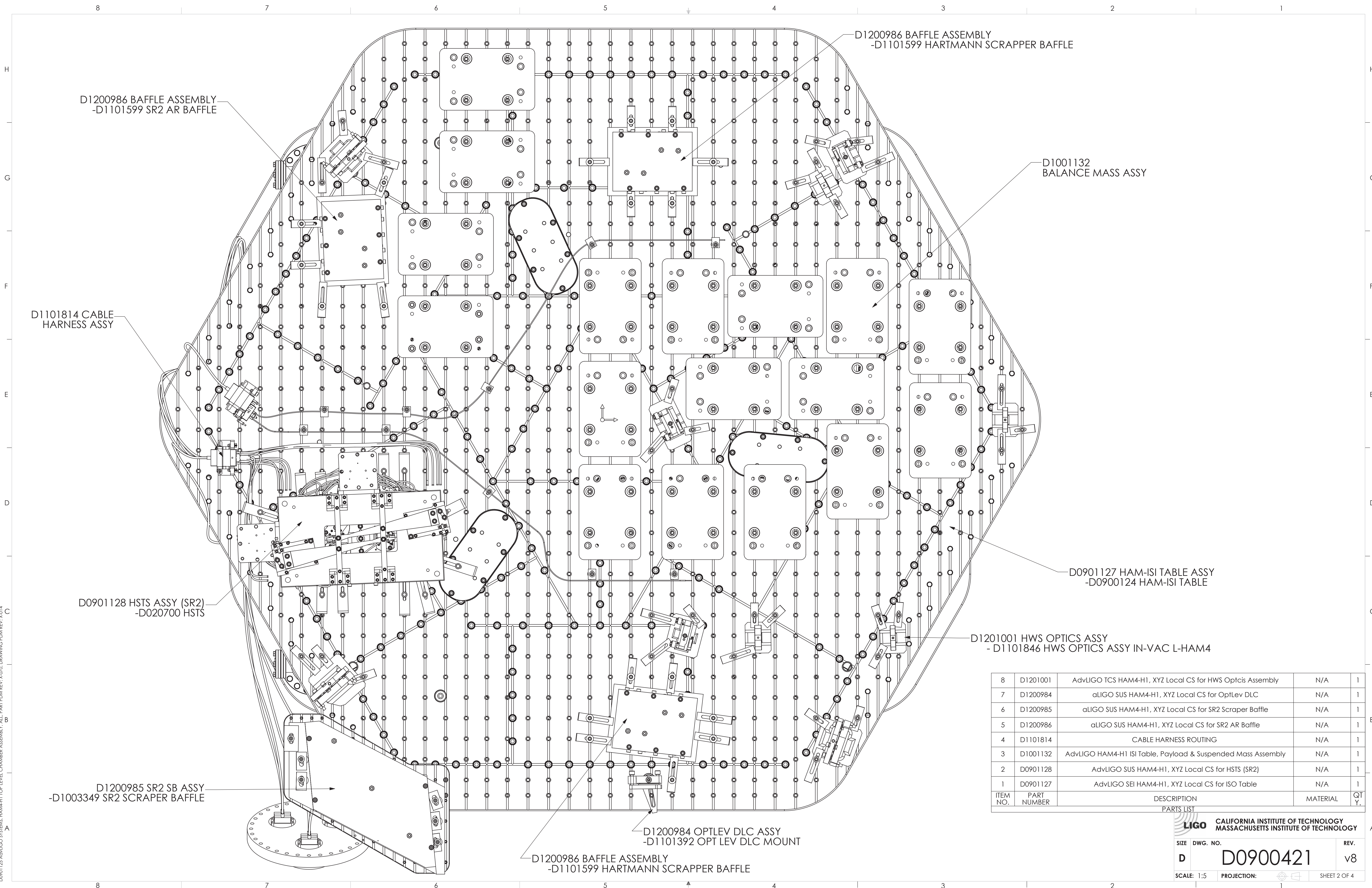
NOTES AND TOLERANCES: (UNLESS OTHERWISE SPECIFIED)

MATERIAL	N/A	FINISH	N/A μinch
----------	-----	--------	-----------

LIGO CALIFORNIA INSTITUTE OF TECHNOLOGY MASSACHUSETTS INSTITUTE OF TECHNOLOGY	
SYSTEM	ADVANCED LIGO
SUB-SYSTEM	SUS
NEXT ASSY	N/A

PART NAME		ADVANCED LIGO		SUB-SYSTEM		SUS		DESIGNER		E.SANCHEZ		DATE		03 OCT 2012		SIZE		DWG. NO.		REV.	
ADVANCED LIGO		SUS		SUS		SUS		SUS		SUS		SUS		SUS		SUS		SUS		SUS	
D0901125		D0901125		D0901125		D0901125		D0901125		D0901125		D0901125		D0901125		D0901125		D0901125		v8	
SCALE: 1:16		PROJECTION:		SCALE: 1:16		PROJECTION:		SCALE: 1:16		PROJECTION:		SCALE: 1:16		PROJECTION:		SCALE: 1:16		PROJECTION:		SHEET 1 OF 4	

D0901125 ADV LIGO SYSTEMS, HAM4-H1 TOP LEVEL CHAMBER ASSEMBLY, ALL PART PDM REV. X:070, DRAWING PDM REV. X:014



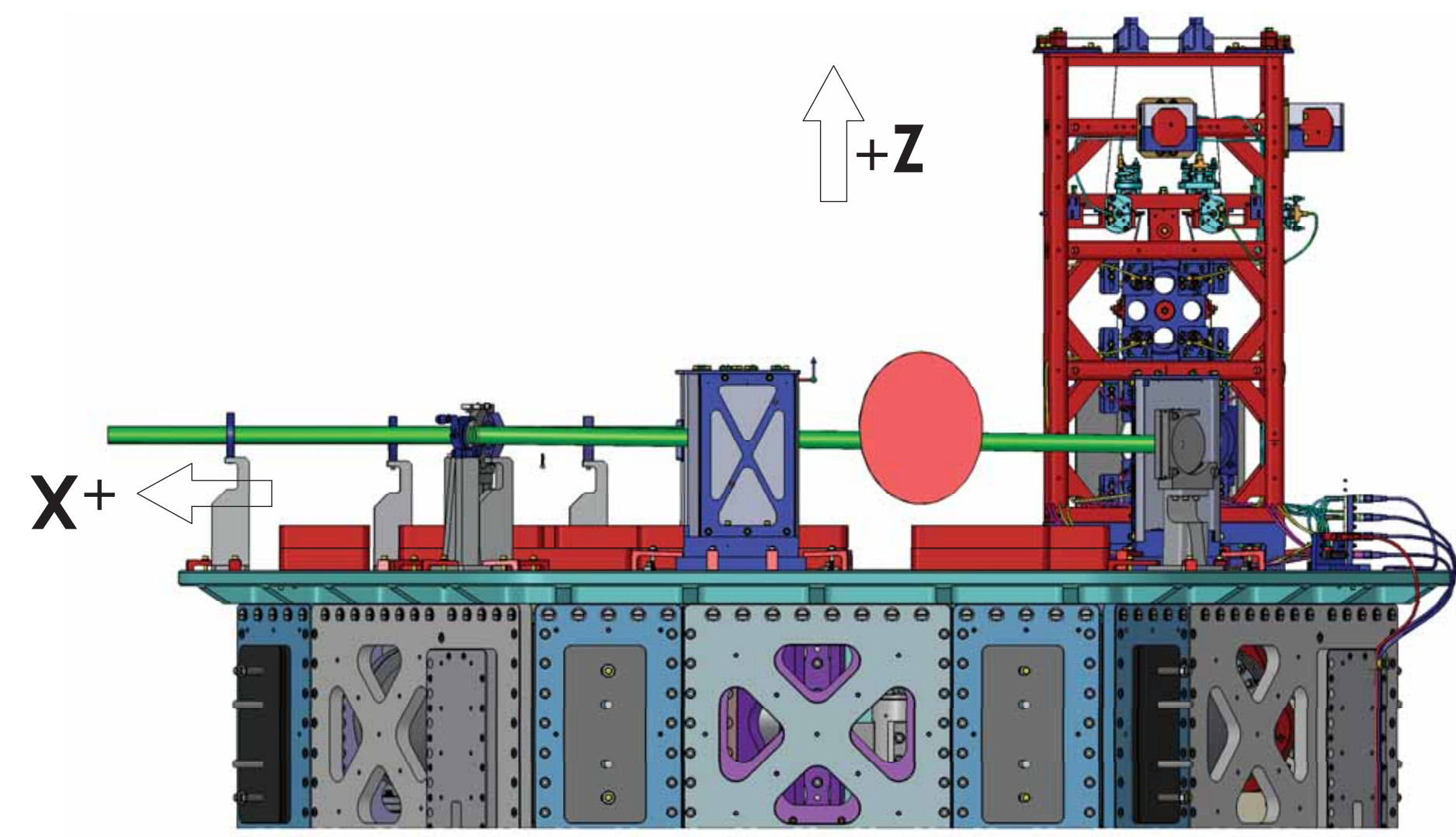
ITEM NO.	PART NUMBER	DESCRIPTION	MATERIAL	QTY.
8	D1201001	AdvLIGO TCS HAM4-H1, XYZ Local CS for HWS Optics Assembly	N/A	1
7	D1200984	aLIGO SUS HAM4-H1, XYZ Local CS for OptLev DLC	N/A	1
6	D1200985	aLIGO SUS HAM4-H1, XYZ Local CS for SR2 Scraper Baffle	N/A	1
5	D1200986	aLIGO SUS HAM4-H1, XYZ Local CS for SR2 AR Baffle	N/A	1
4	D1101814	CABLE HARNESS ROUTING	N/A	1
3	D1001132	AdvLIGO HAM4-H1 ISI Table, Payload & Suspended Mass Assembly	N/A	1
2	D0901128	AdvLIGO SUS HAM4-H1, XYZ Local CS for HSTS (SR2)	N/A	1
1	D0901127	AdvLIGO SEI HAM4-H1, XYZ Local CS for ISO Table	N/A	1

LIGO CALIFORNIA INSTITUTE OF TECHNOLOGY
 MASSACHUSETTS INSTITUTE OF TECHNOLOGY

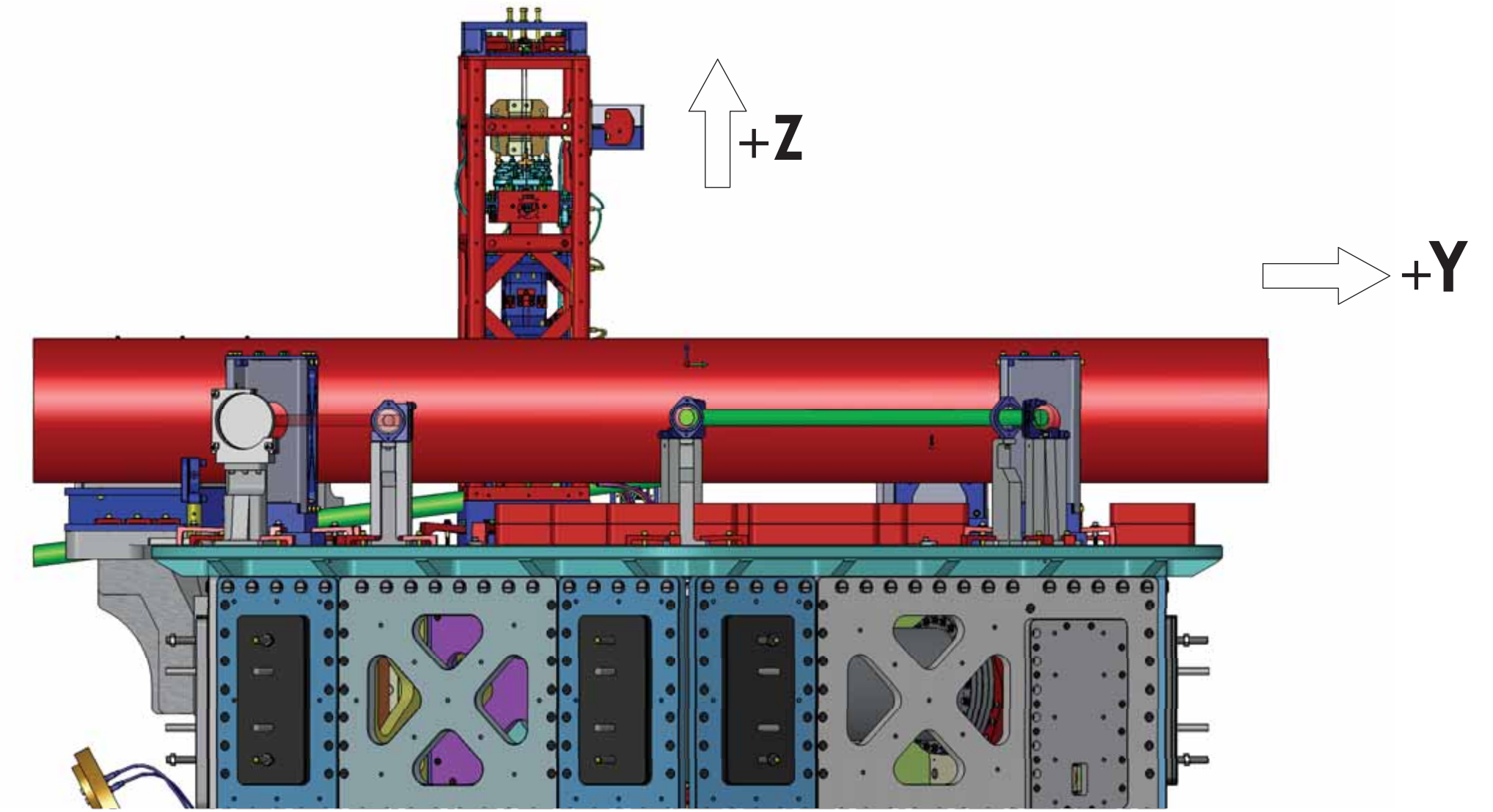
SIZE DWG. NO. **D0900421** REV. **v8**

SCALE: 1:5 PROJECTION: SHEET 2 OF 4

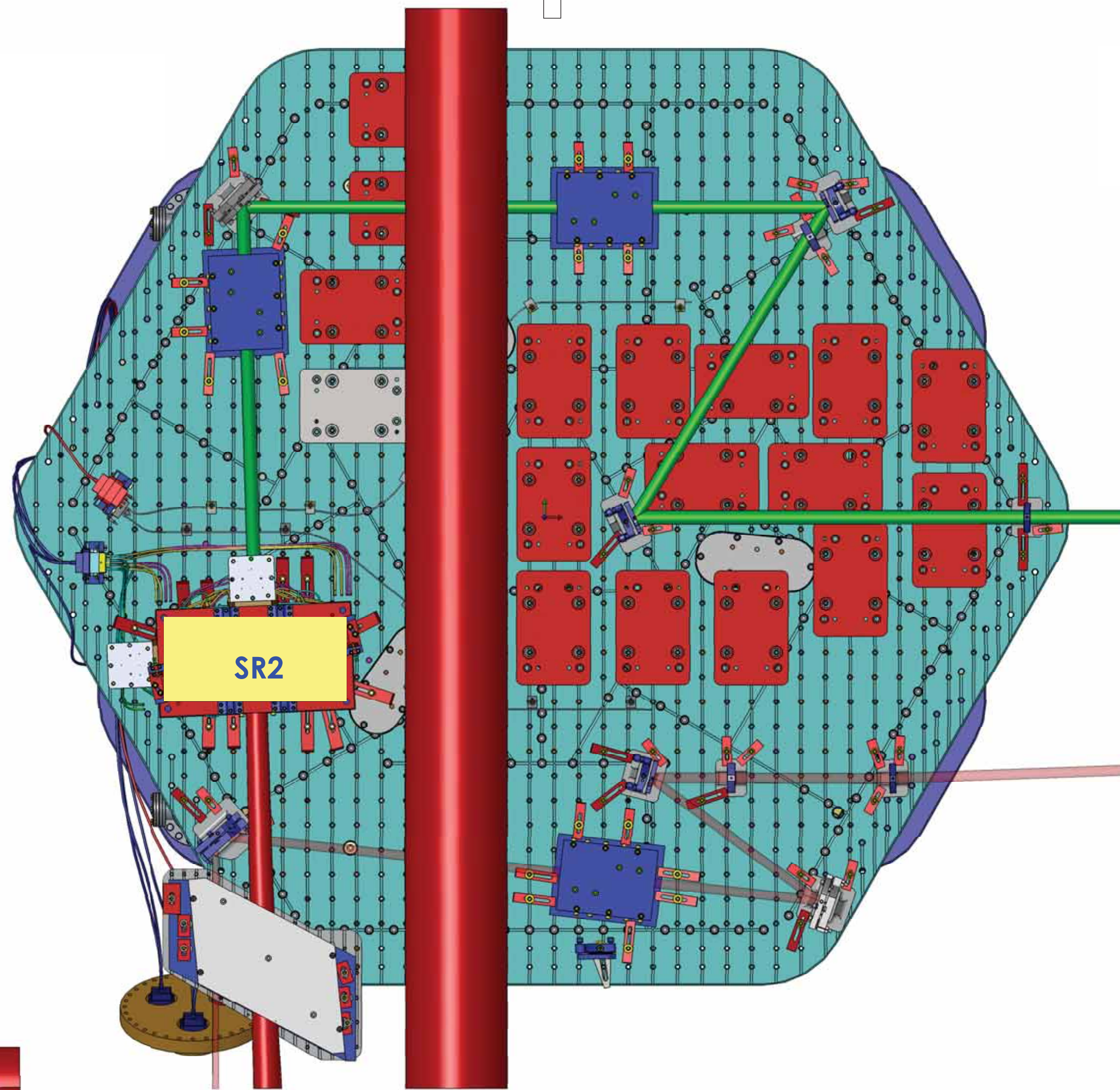
D0901125 ADV LIGO SYSTEMS, HAM-H1 TOP LEVEL CHAMBER ASSEMBLY, ALL PART FROM REV. X.070, DRAWING FDM REV. X.014



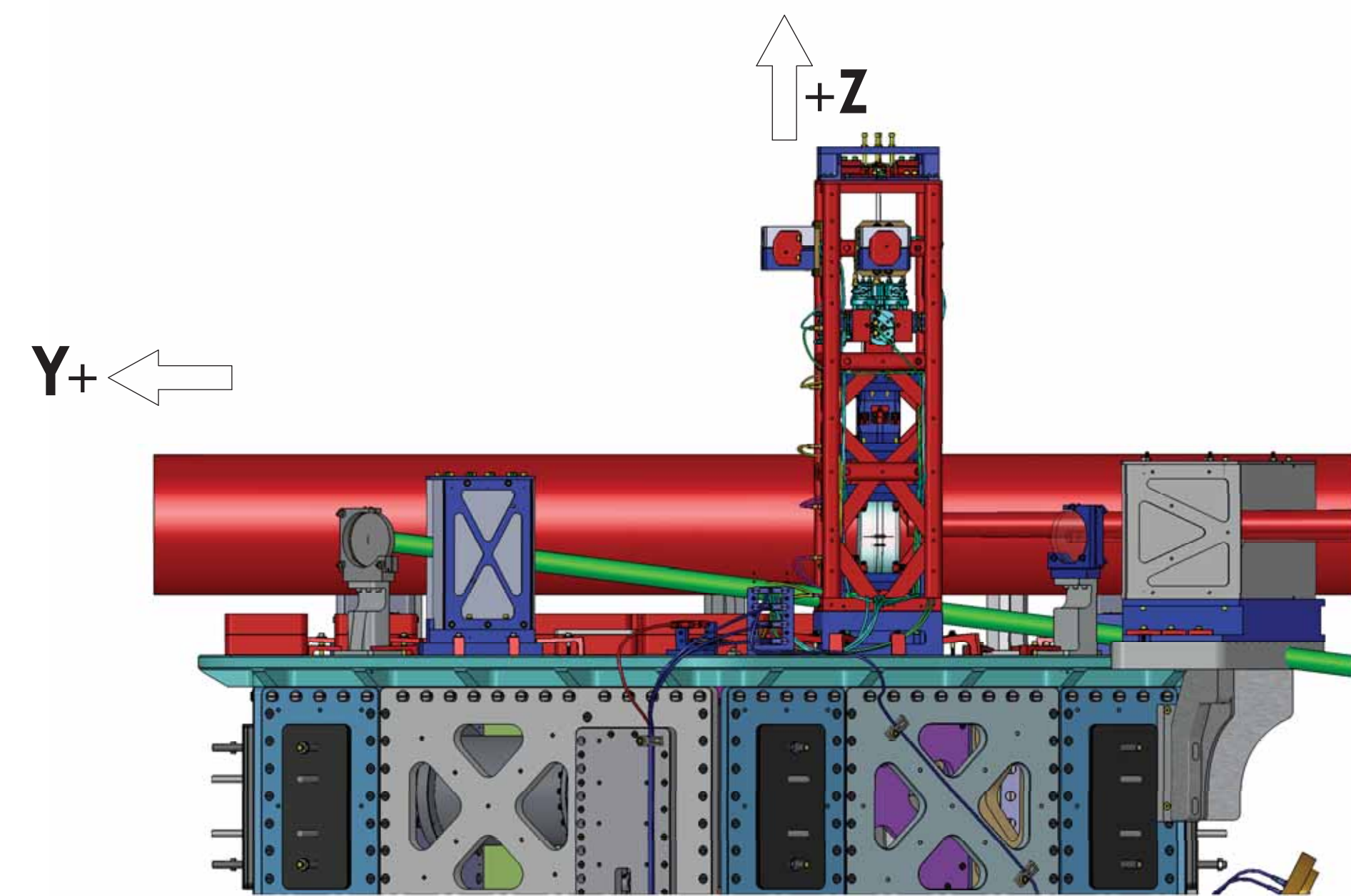
REAR VIEW
(ROTATED 180 DEGREES CCW)



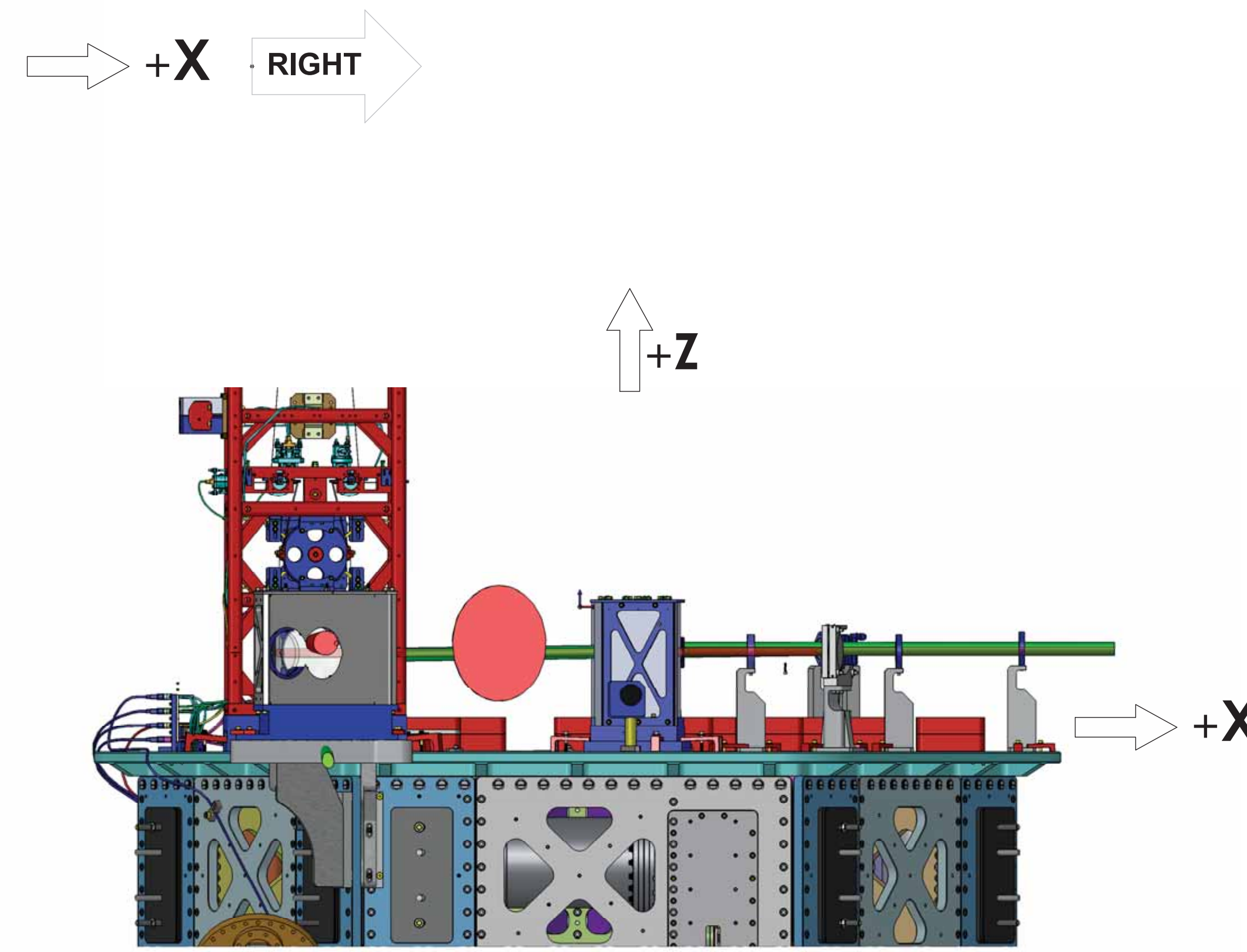
RIGHT SIDE VIEW
(ROTATED 90 DEGREES CW)



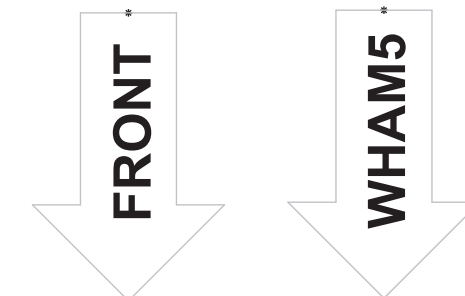
TOP VIEW



LEFT SIDE VIEW
(ROTATED 90 DEGREES CCW)



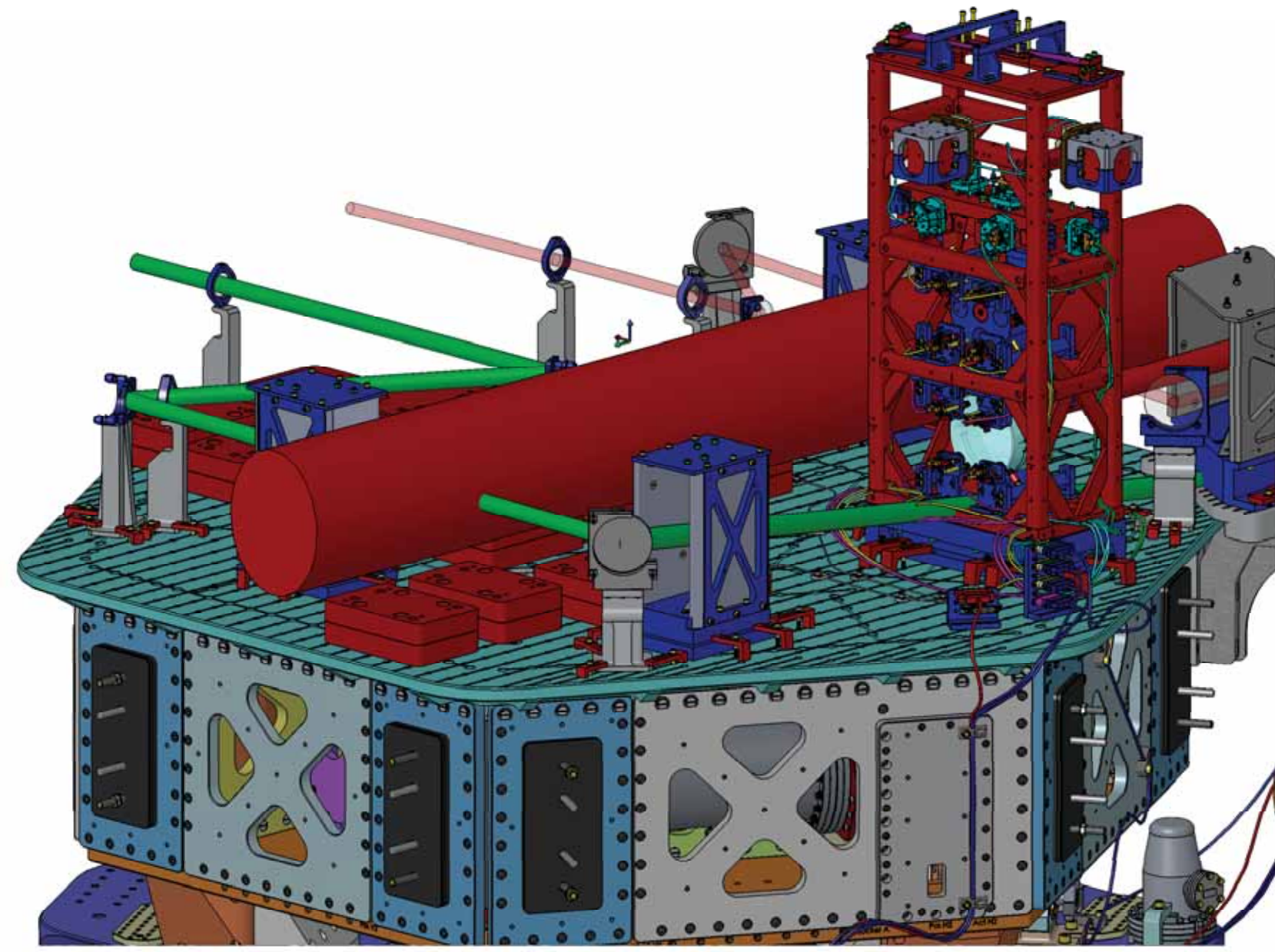
FRONT VIEW



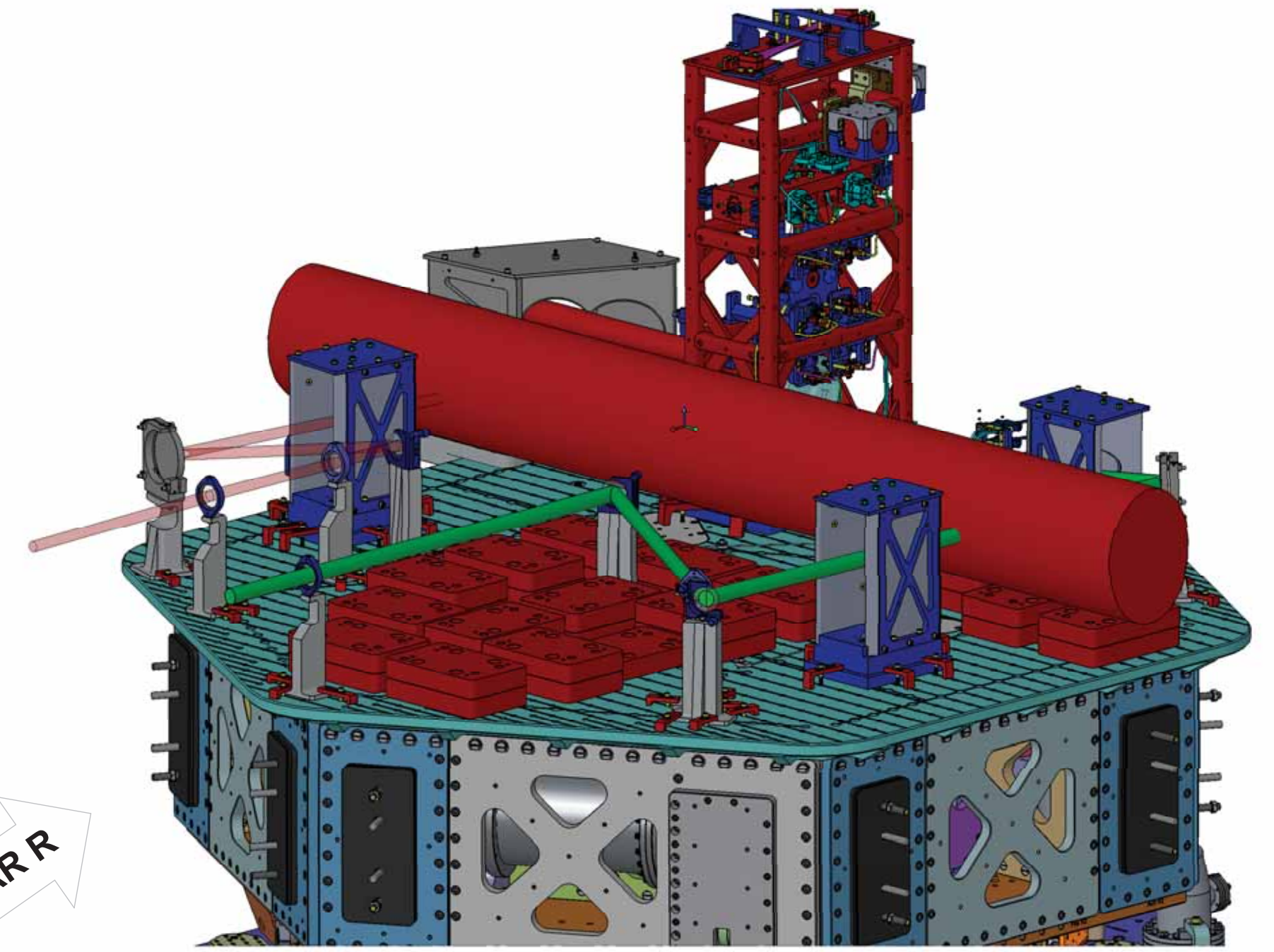
LASER BEAMS - ORTHO VIEWS

CALIFORNIA INSTITUTE OF TECHNOLOGY MASSACHUSETTS INSTITUTE OF TECHNOLOGY	
SIZE DWG. NO.	REV.
D D0901125	v8
SCALE: 1:24	PROJECTION:
SHEET 3 OF 4	

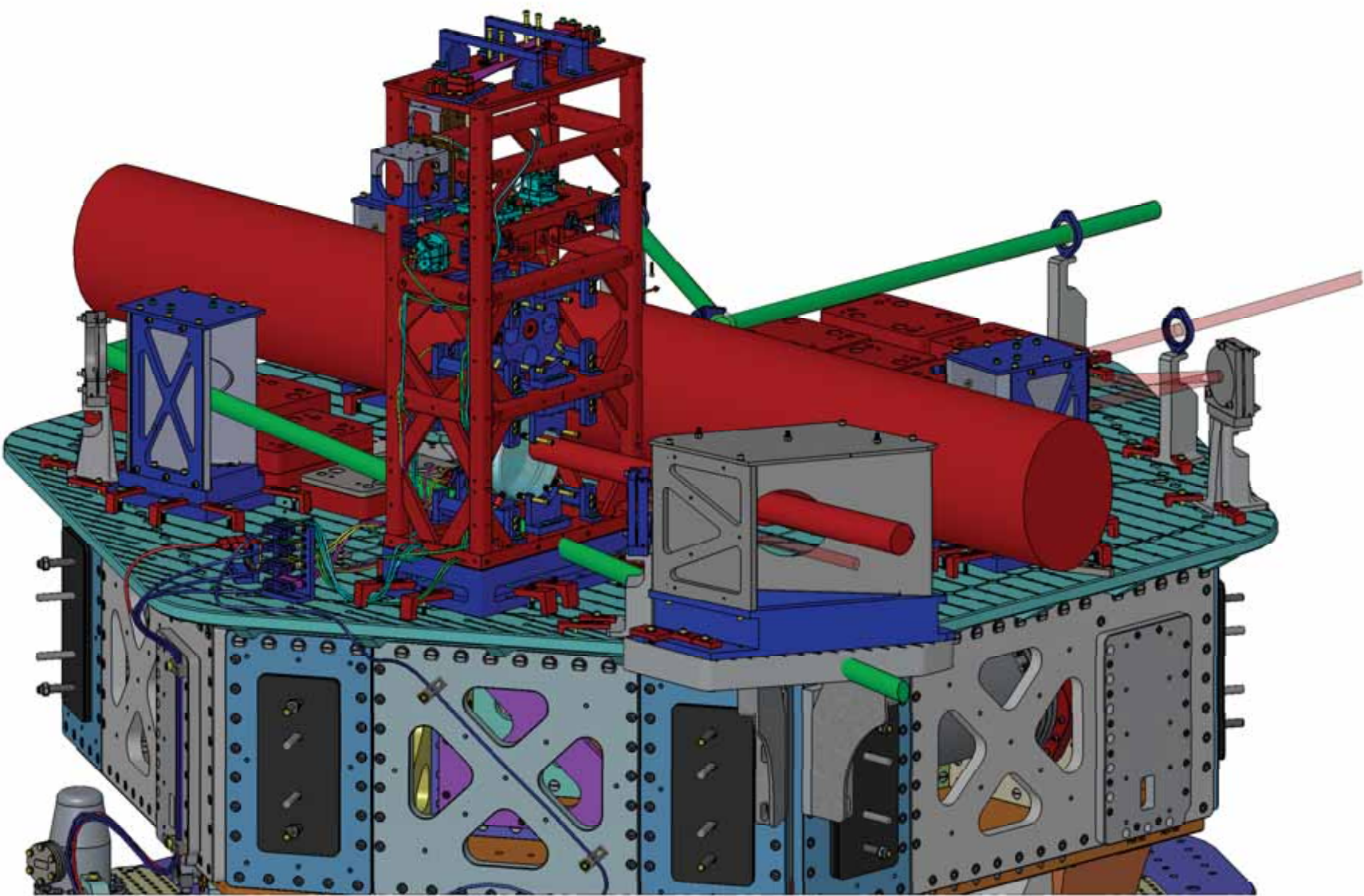
D0901125-ASU-LIGO SYSTEMS: HAMM-H1 TOP LEVEL CHAMBER ASSEMBLY: ALL PART PDM REV: X:070: DRAWING: FDM: REV: X:014



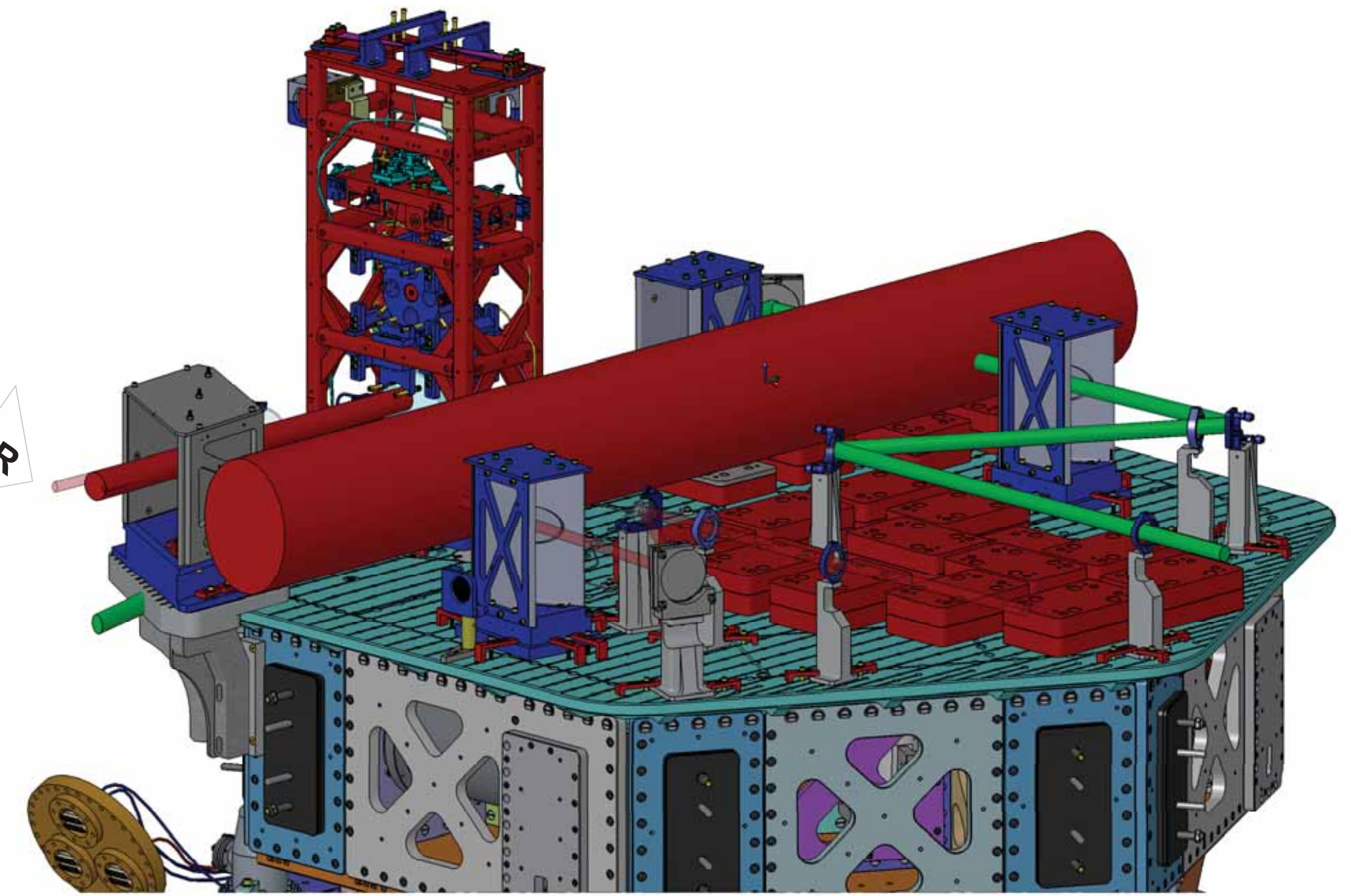
ISO REAR - LEFT



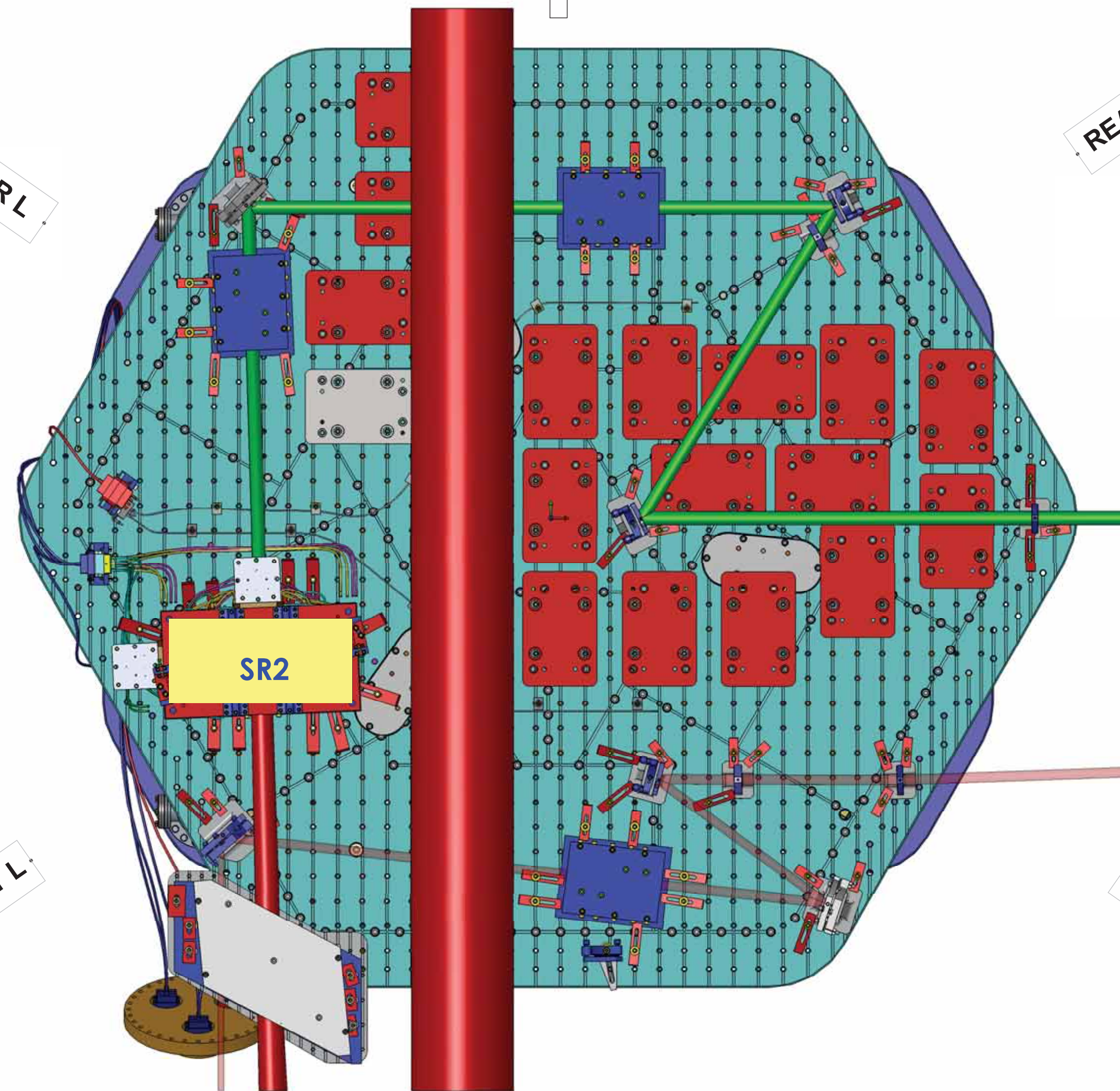
ISO REAR - RIGHT



ISO FRONT - LEFT



ISO FRONT - RIGHT



TOP VIEW

LASER BEAMS - ISO VIEWS

CALIFORNIA INSTITUTE OF TECHNOLOGY MASSACHUSETTS INSTITUTE OF TECHNOLOGY		
SIZE	DWG. NO.	REV.
D	D0901125	v8
SCALE: 1:24	PROJECTION:	SHEET 4 OF 4

D0901125-ASU-LIGO SYSTEMS - HAMM-HIT TOP LEVEL CHAMBER ASSEMBLY - ALL PART FROM REV. X-070, DRAWING FDM REV. X-014