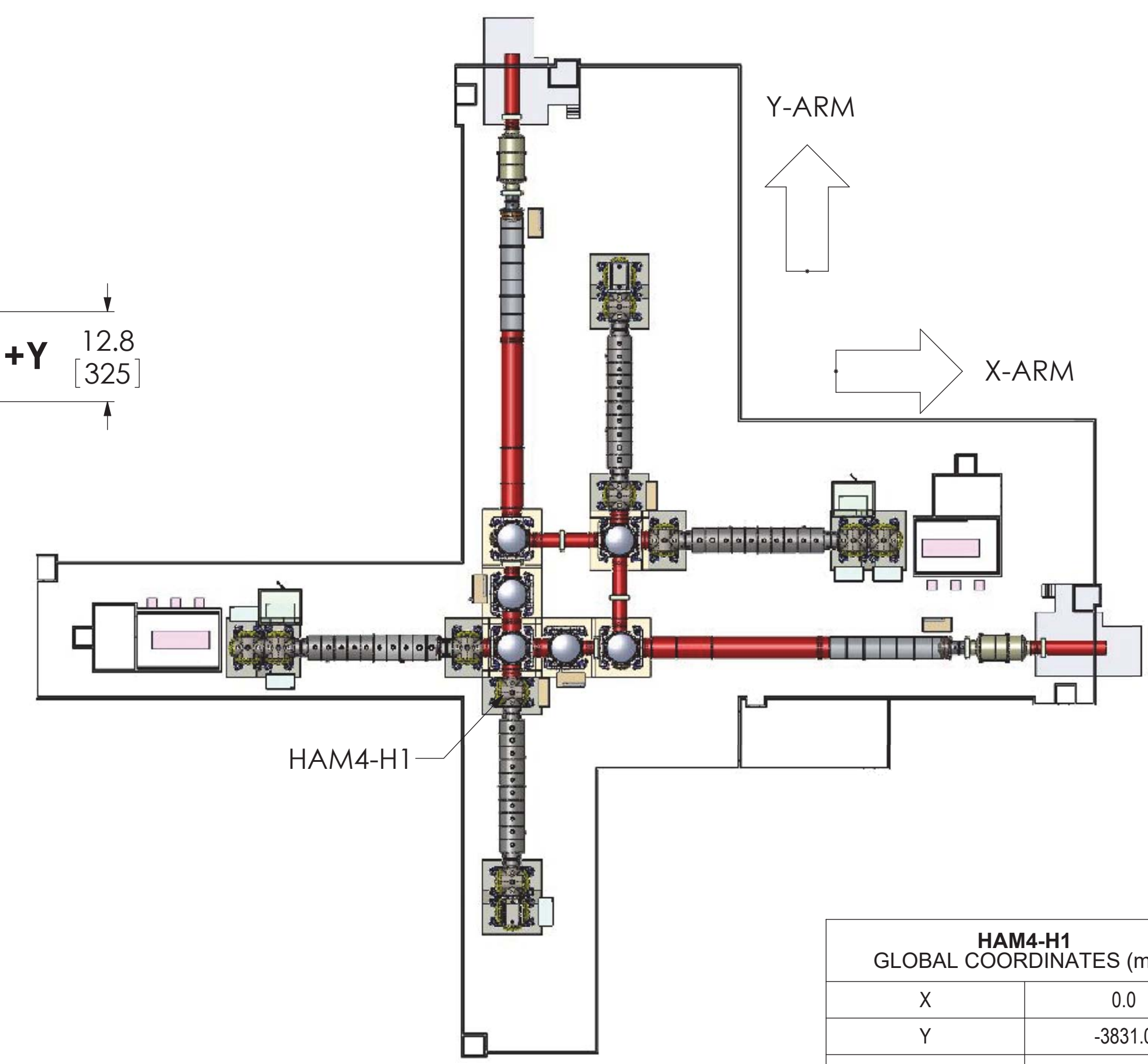
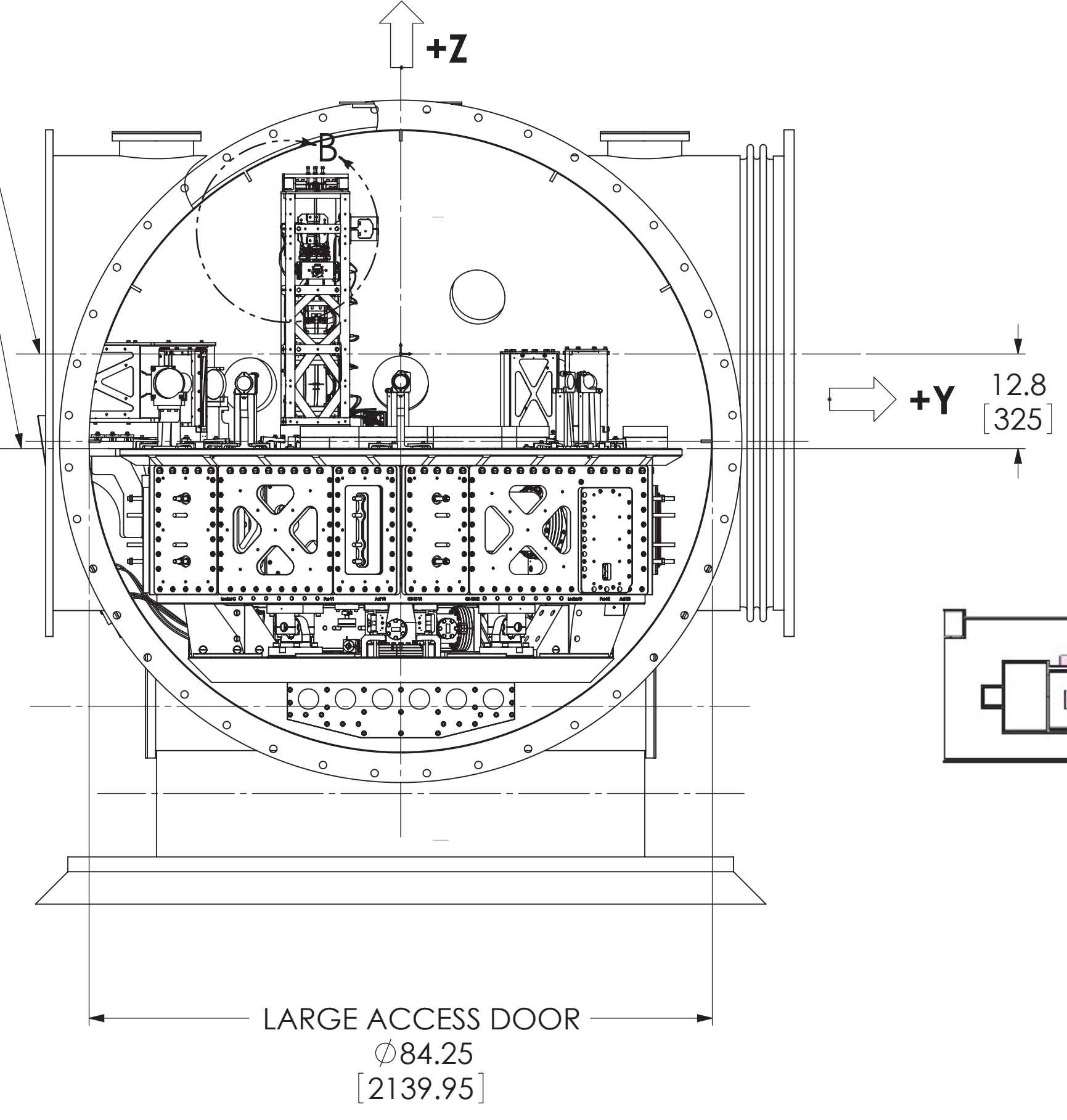
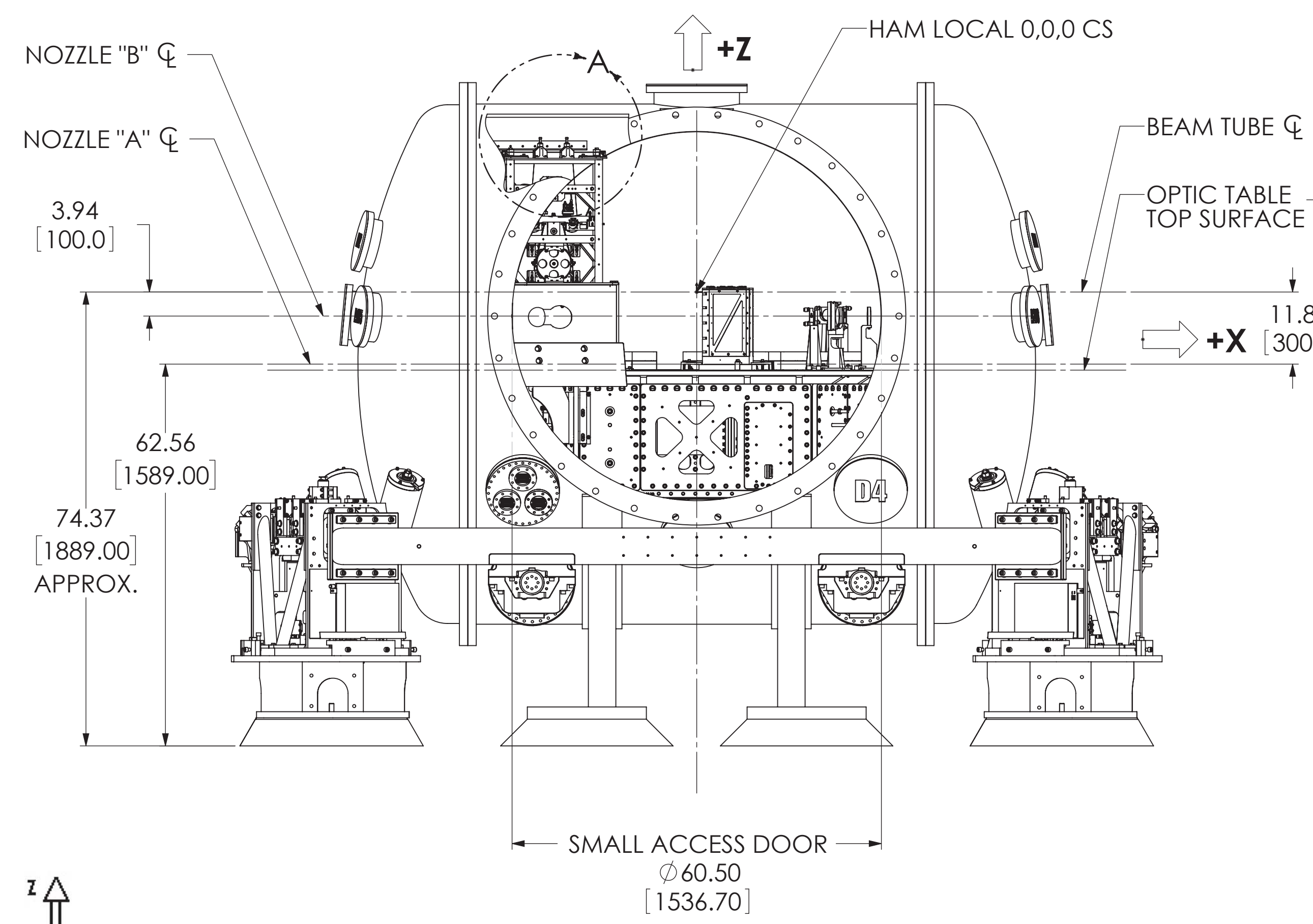
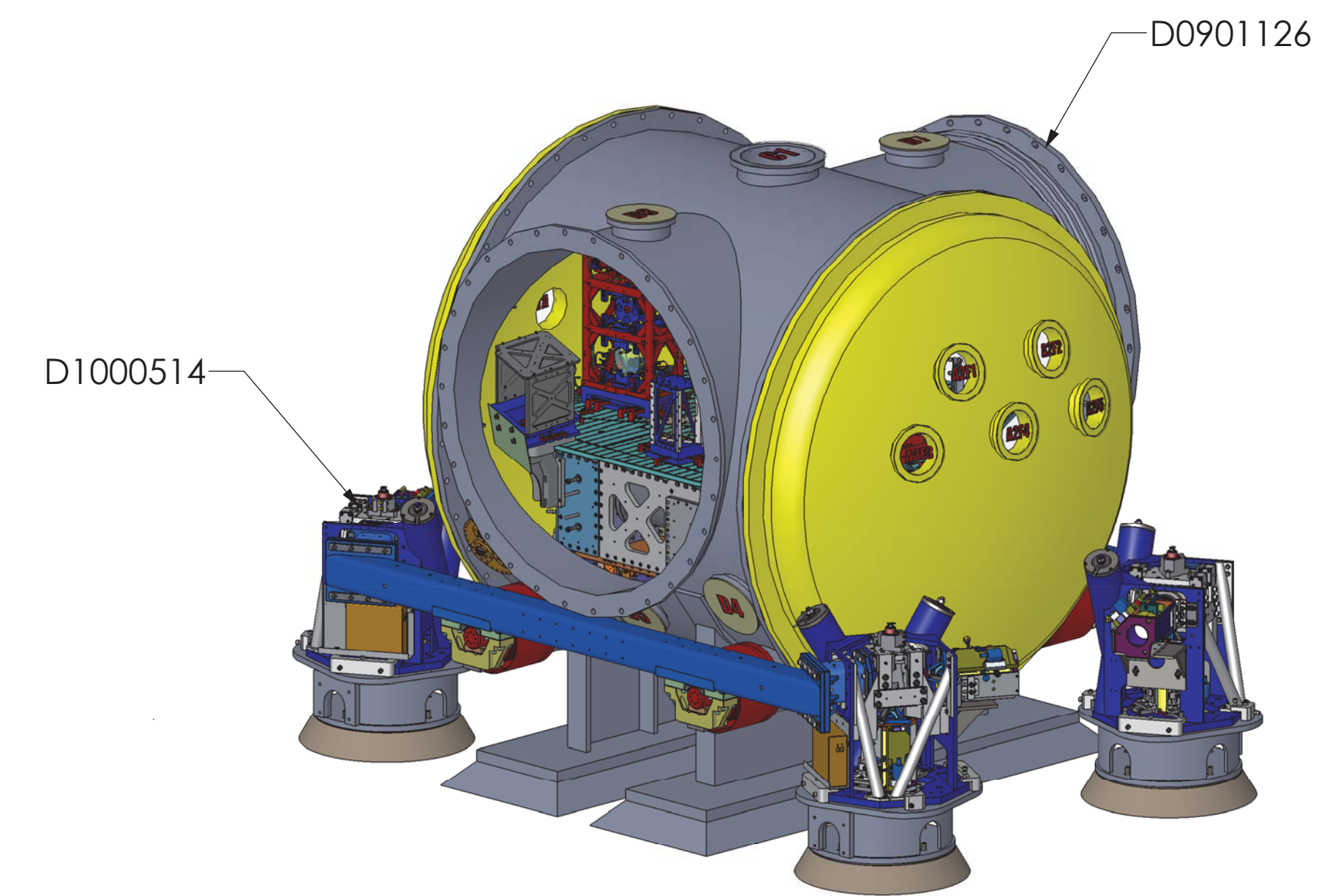
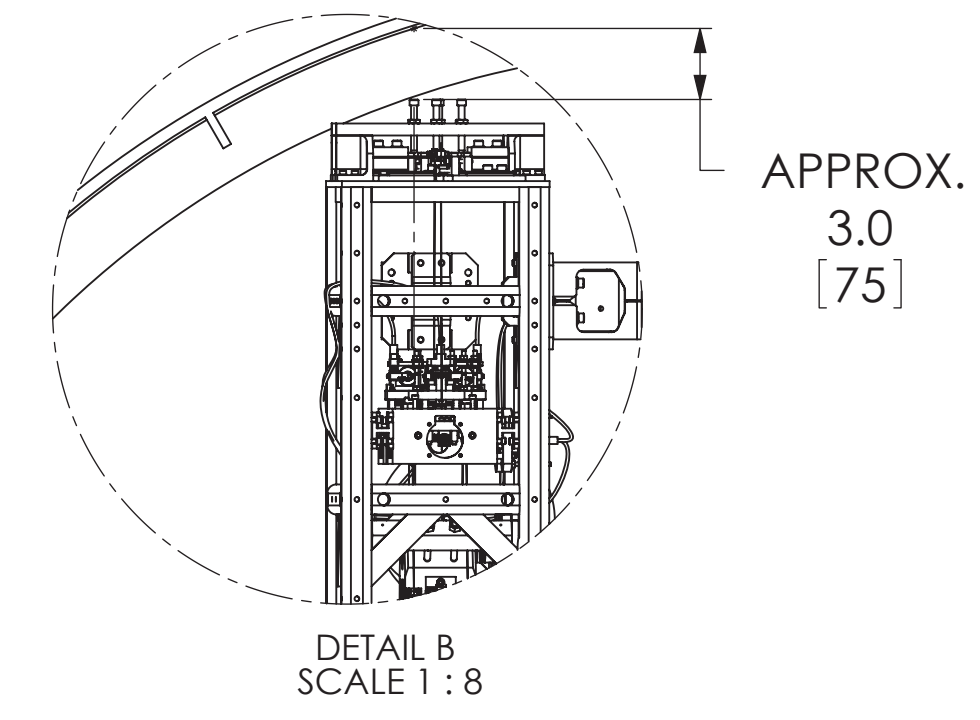
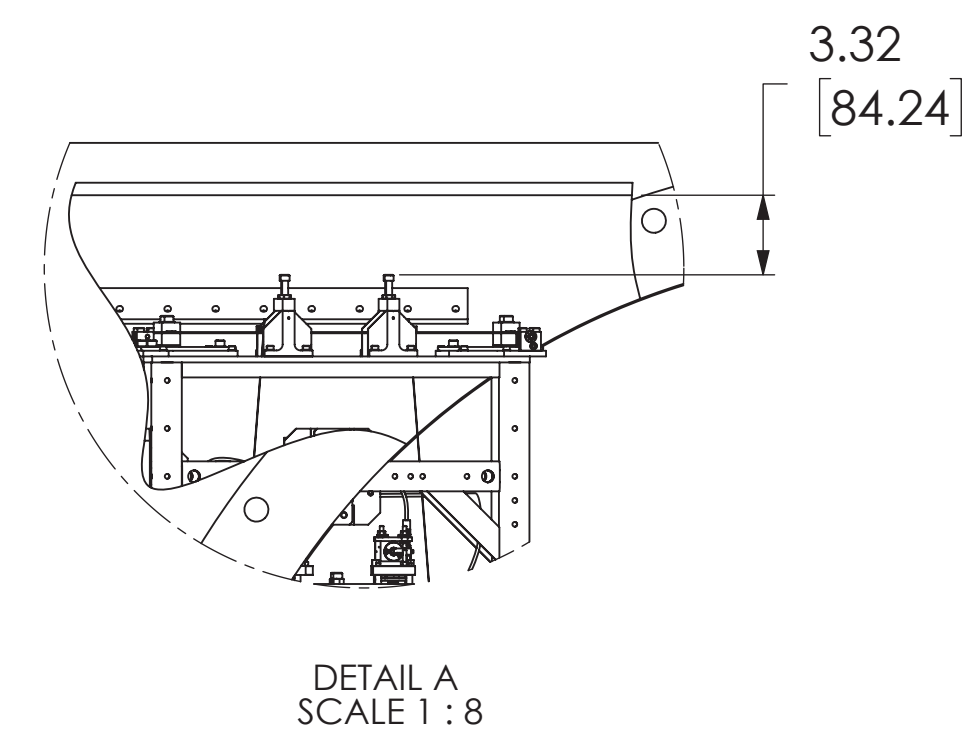
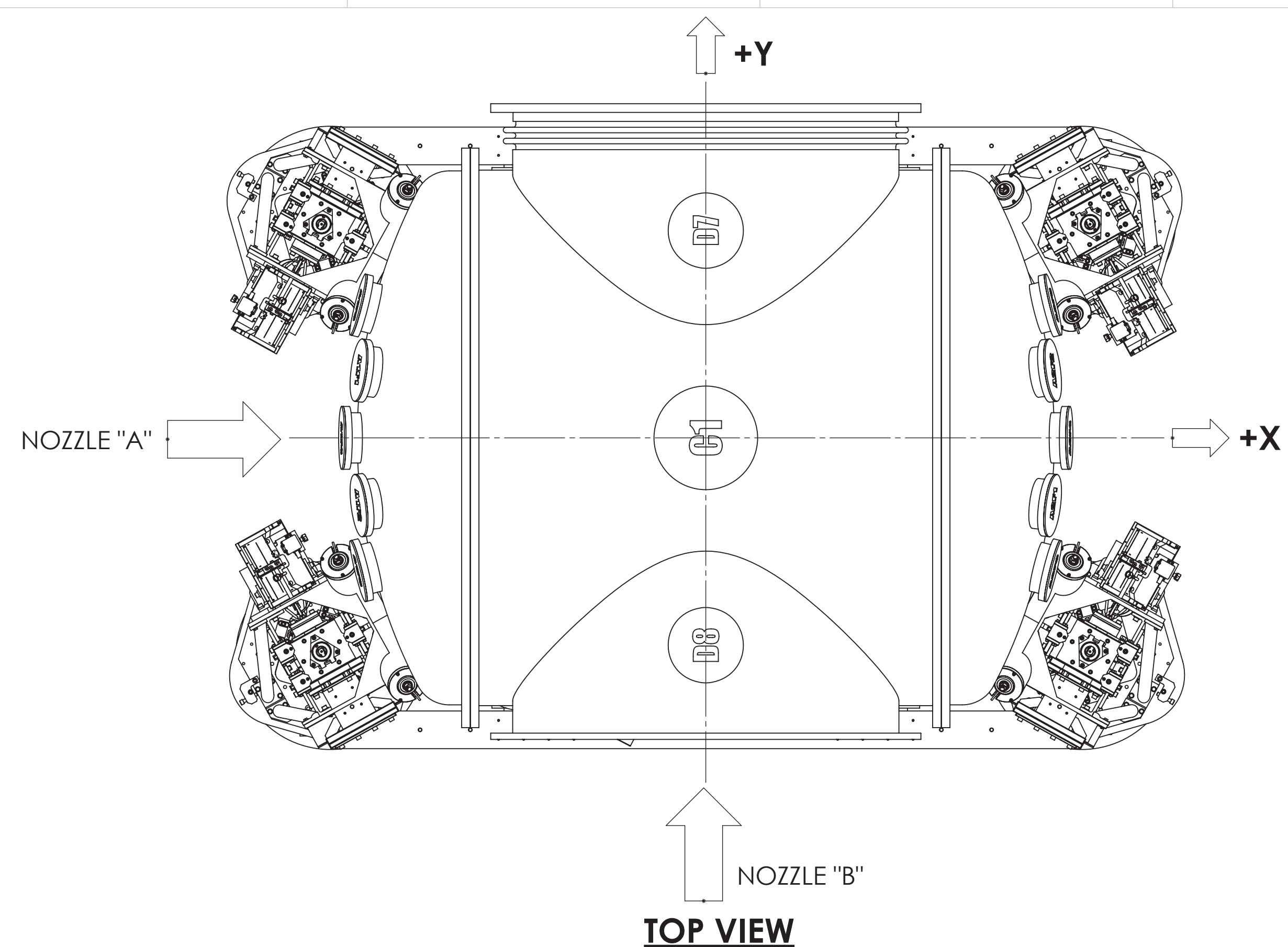
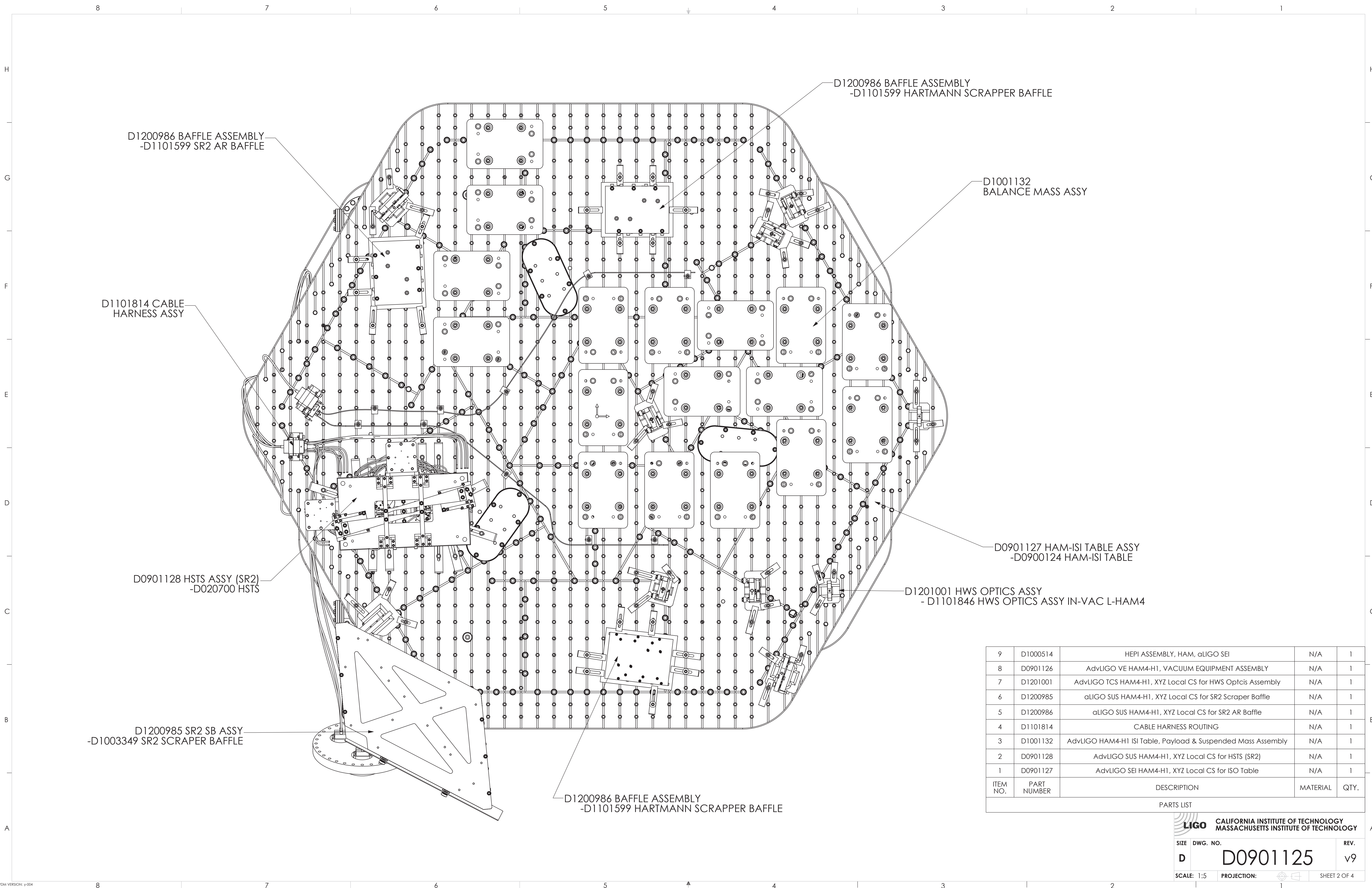


REV.	DATE	DCN #	DRAWING TREE #
v6	09 MAY 2013	E1300364-x0	
v8	16 JUL 2014	E1400331-x0	
v9	31 OCT 2018	E1700274	



NOTES AND TOLERANCES: (UNLESS OTHERWISE SPECIFIED)		LIGO CALIFORNIA INSTITUTE OF TECHNOLOGY MASSACHUSETTS INSTITUTE OF TECHNOLOGY		PART NAME	
DIMENSIONS ARE IN INCHES [MM]		ADVANCED LIGO		AdvLIGO Systems, HAM4-H1 Top Level Chamber Assembly	
MATERIAL	N/A	FINISH	N/A μinch	DESIGNER	E.SANCHEZ
				DRAFTER	03 OCT 2012
				CHECKER	SEE DCC
				APPROVAL	SEE DCC
				SIZE	DWG. NO.
				D	D0901125
				SCALE	1:16
				PROJECTION	
					SHEET 1 OF 4
					REV. v9

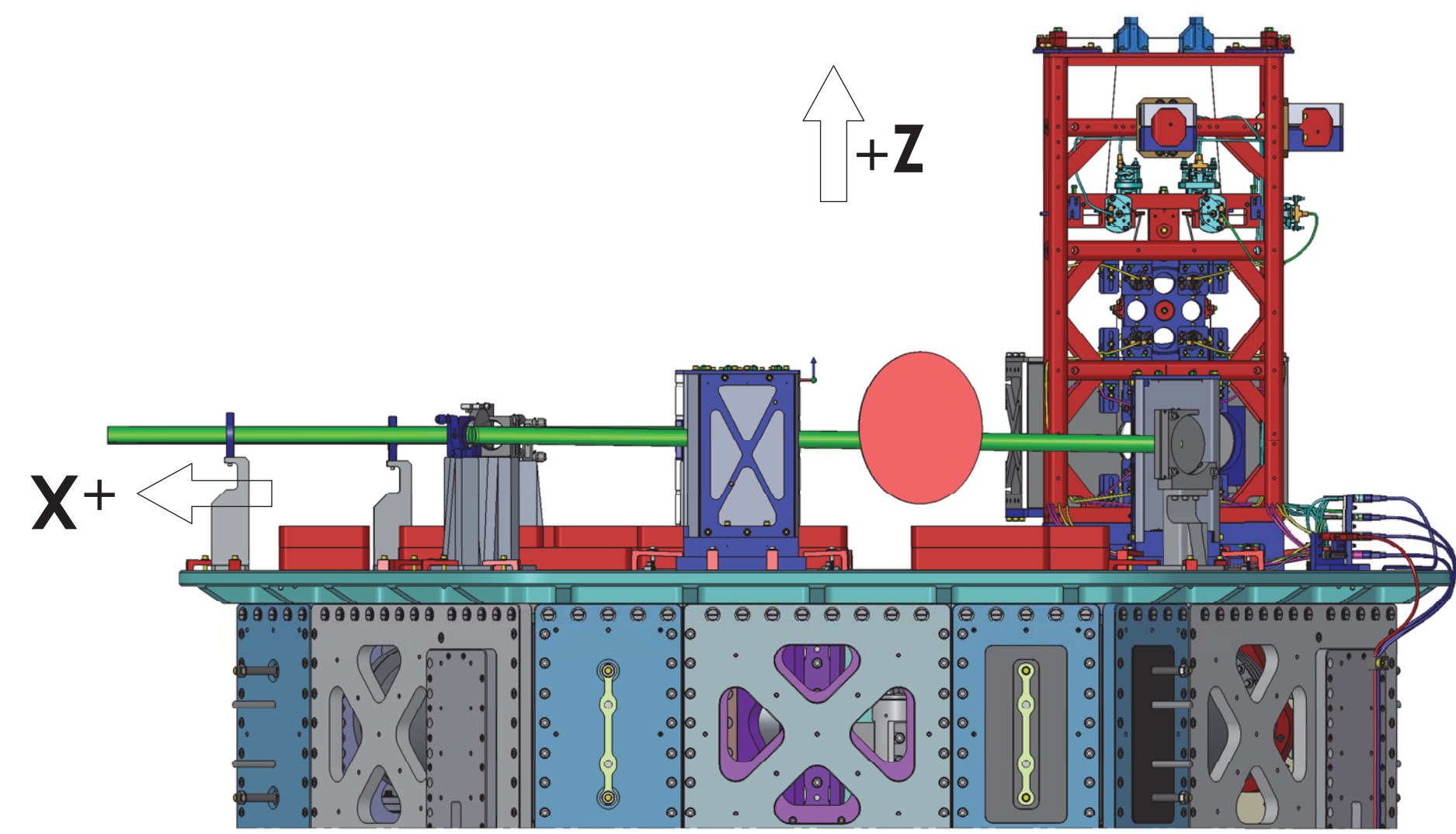


9	D1000514	HEPI ASSEMBLY, HAM, aLIGO SEI	N/A	1
8	D0901126	AdvLIGO VE HAM4-H1, VACUUM EQUIPMENT ASSEMBLY	N/A	1
7	D1201001	AdvLIGO TCS HAM4-H1, XYZ Local CS for HWS Optcis Assembly	N/A	1
6	D1200985	aLIGO SUS HAM4-H1, XYZ Local CS for SR2 Scrapper Baffle	N/A	1
5	D1200986	aLIGO SUS HAM4-H1, XYZ Local CS for SR2 AR Baffle	N/A	1
4	D1101814	CABLE HARNESS ROUTING	N/A	1
3	D1001132	AdvLIGO HAM4-H1 ISI Table, Payload & Suspended Mass Assembly	N/A	1
2	D0901128	AdvLIGO SUS HAM4-H1, XYZ Local CS for HSTS (SR2)	N/A	1
1	D0901127	AdvLIGO SEI HAM4-H1, XYZ Local CS for ISO Table	N/A	1
ITEM NO.	PART NUMBER	DESCRIPTION	MATERIAL	QTY.
PARTS LIST				

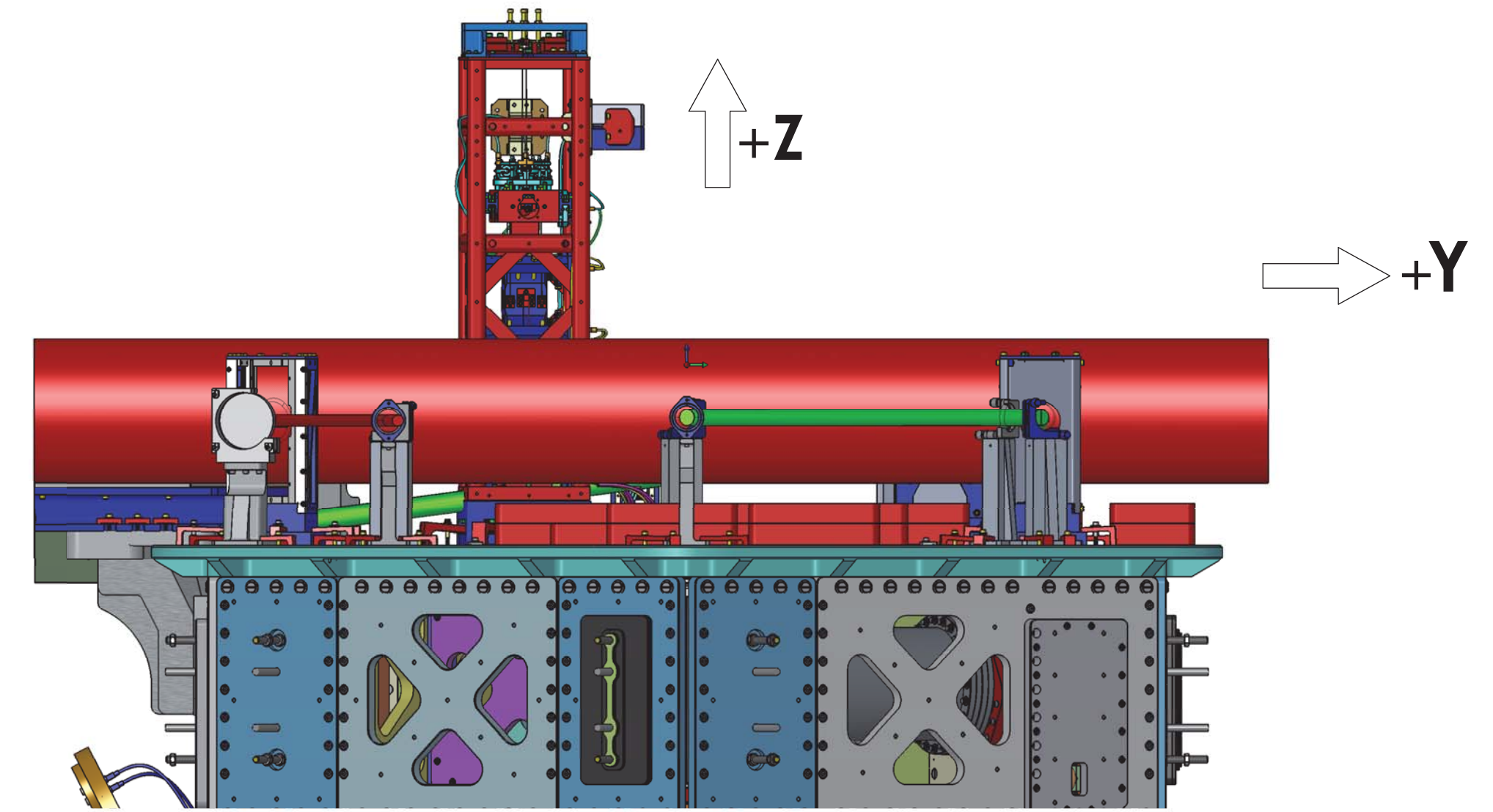
LIGO CALIFORNIA INSTITUTE OF TECHNOLOGY
 MASSACHUSETTS INSTITUTE OF TECHNOLOGY

SIZE DWG. NO. REV.
D **D0901125** v9

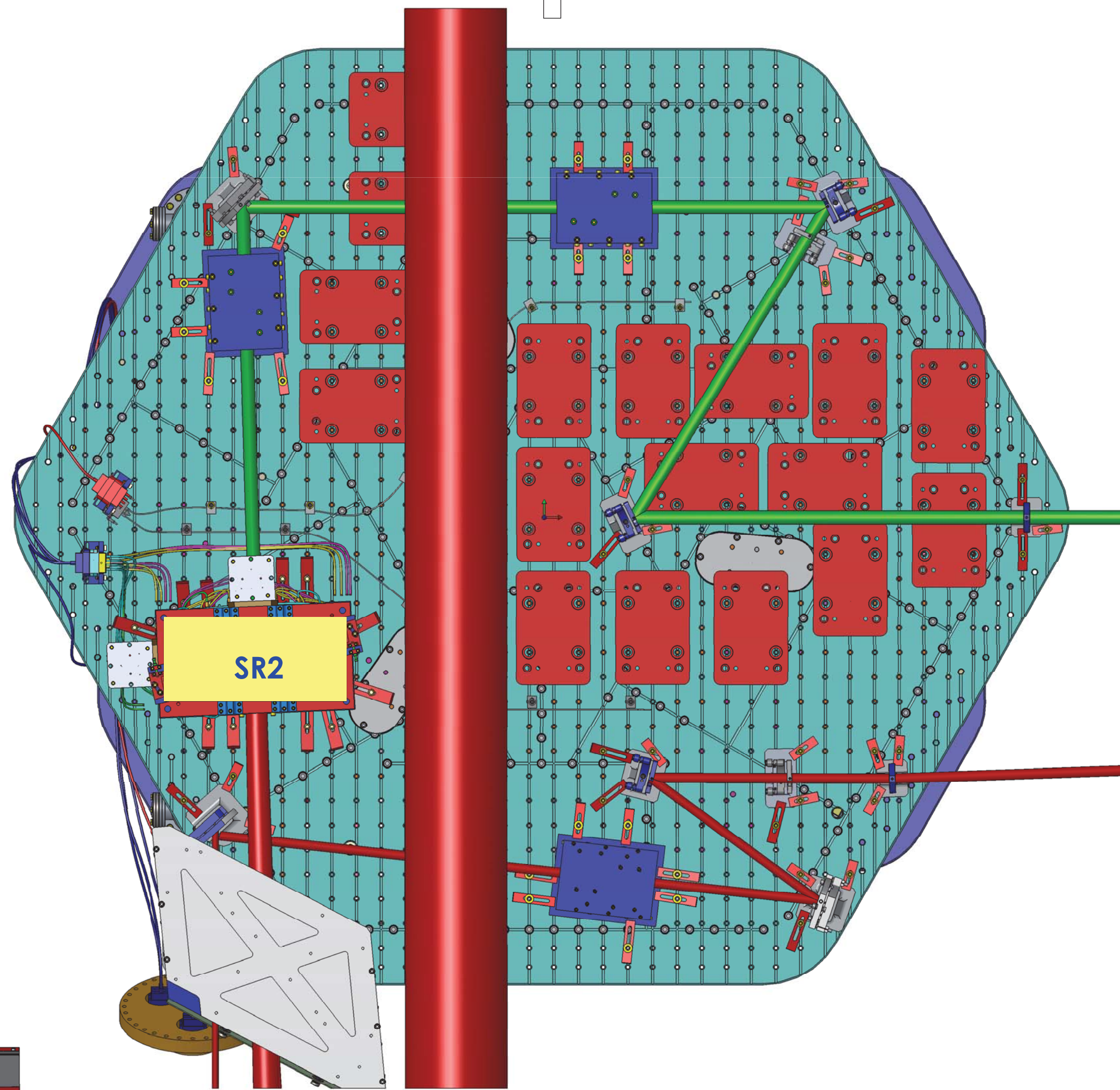
SCALE: 1:5 PROJECTION: SHEET 2 OF 4



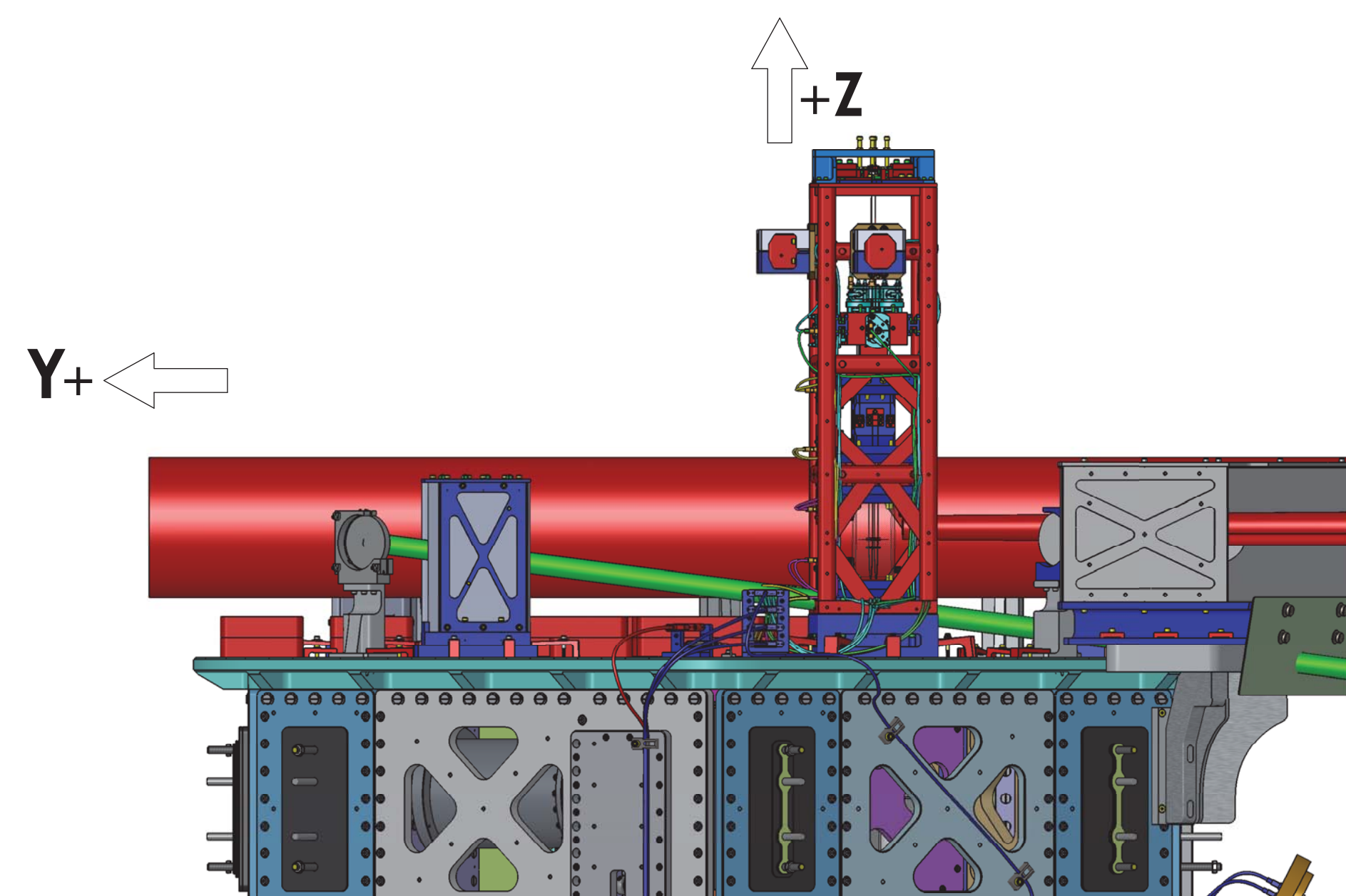
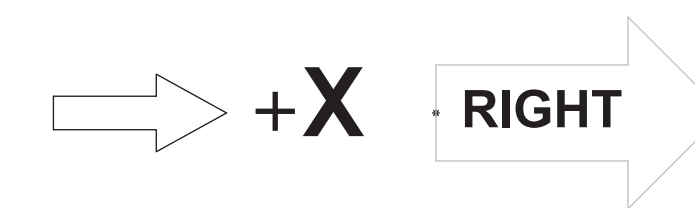
REAR VIEW
(ROTATED 180 DEGREES CCW)



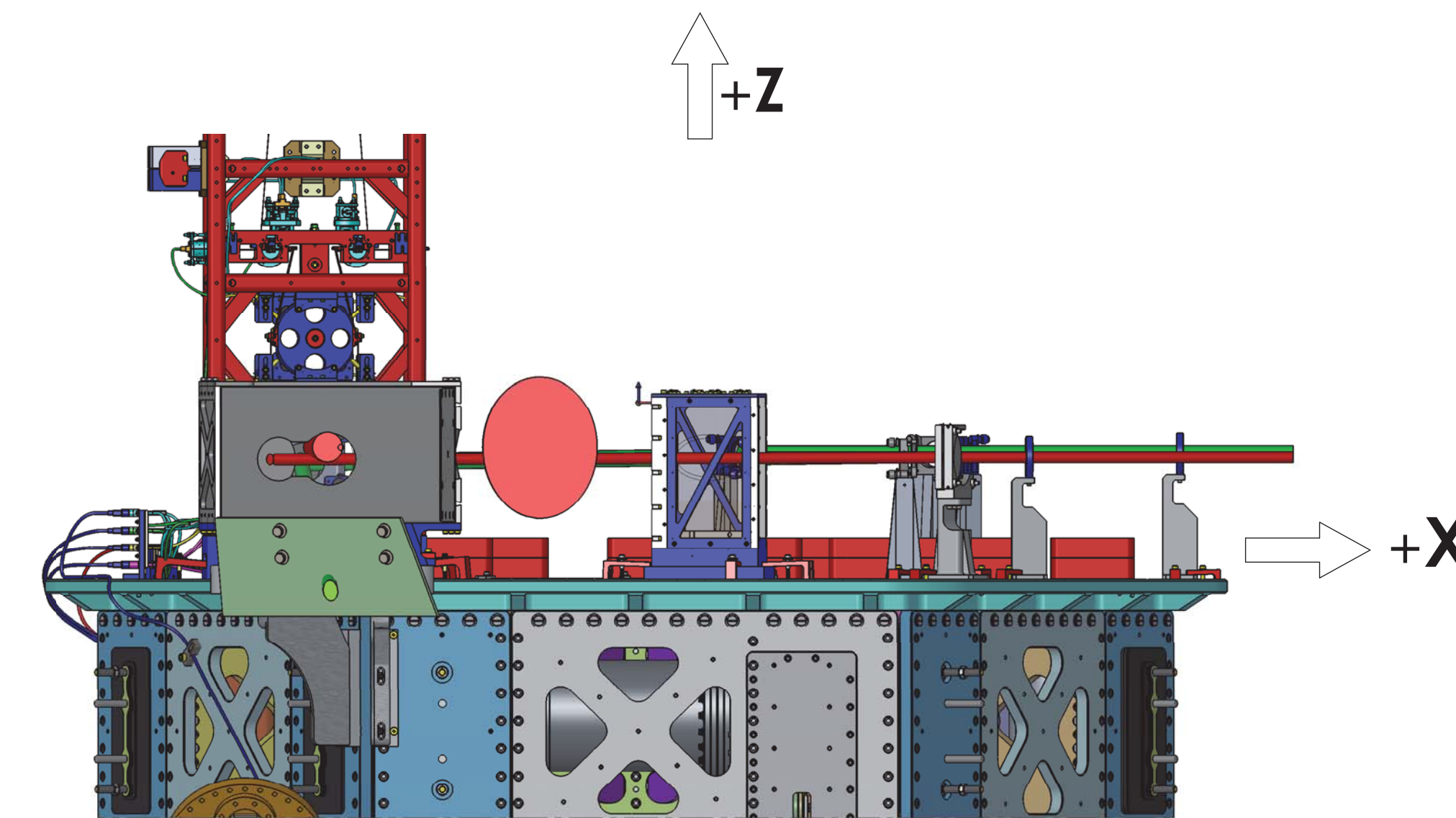
RIGHT SIDE VIEW
(ROTATED 90 DEGREES CW)



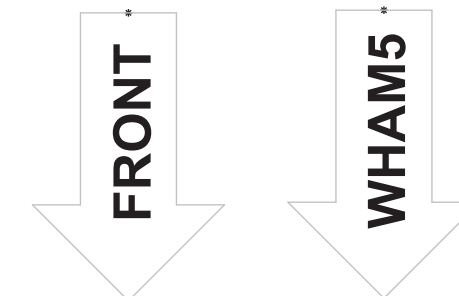
TOP VIEW



LEFT SIDE VIEW
(ROTATED 90 DEGREES CCW)

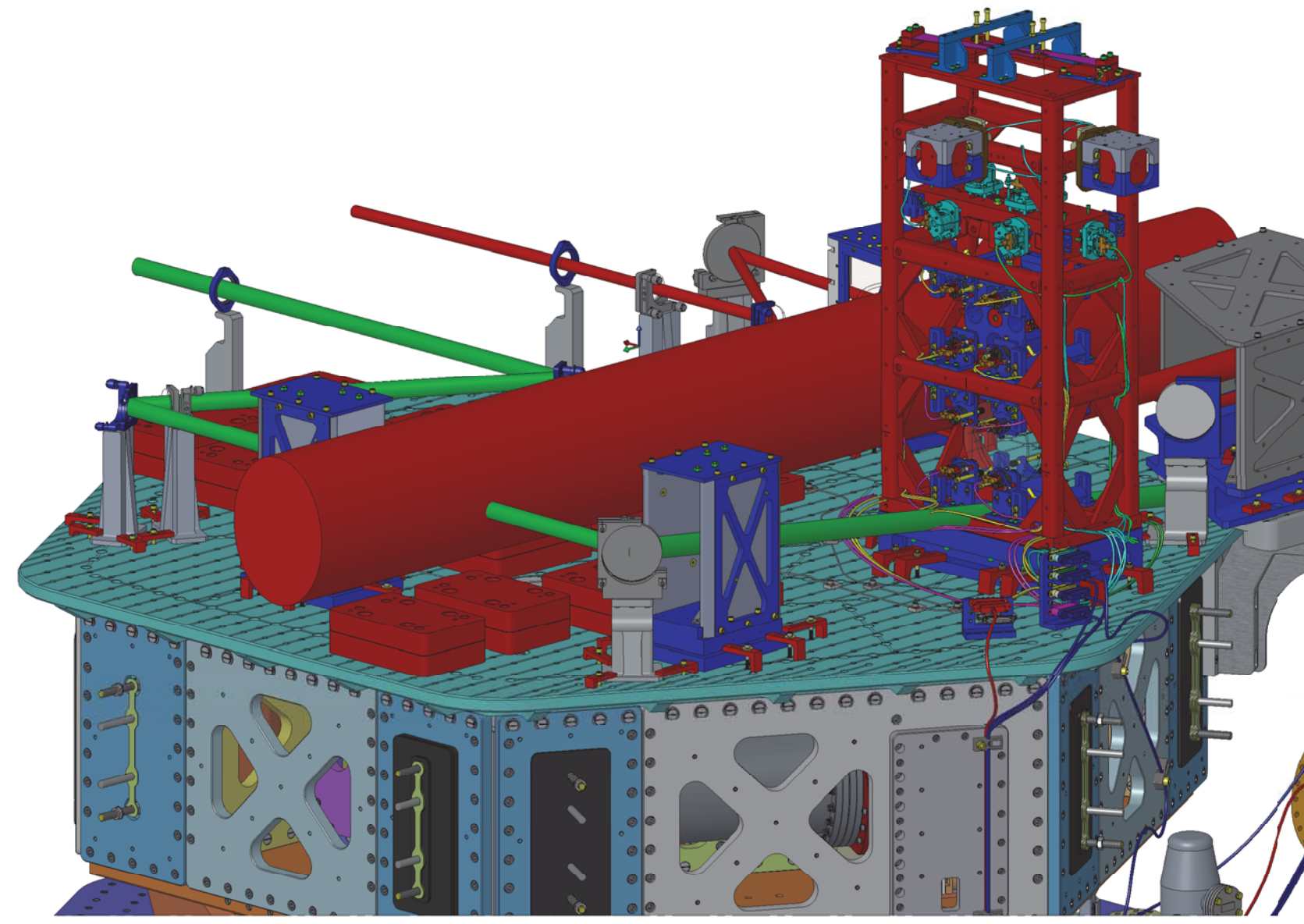


FRONT VIEW

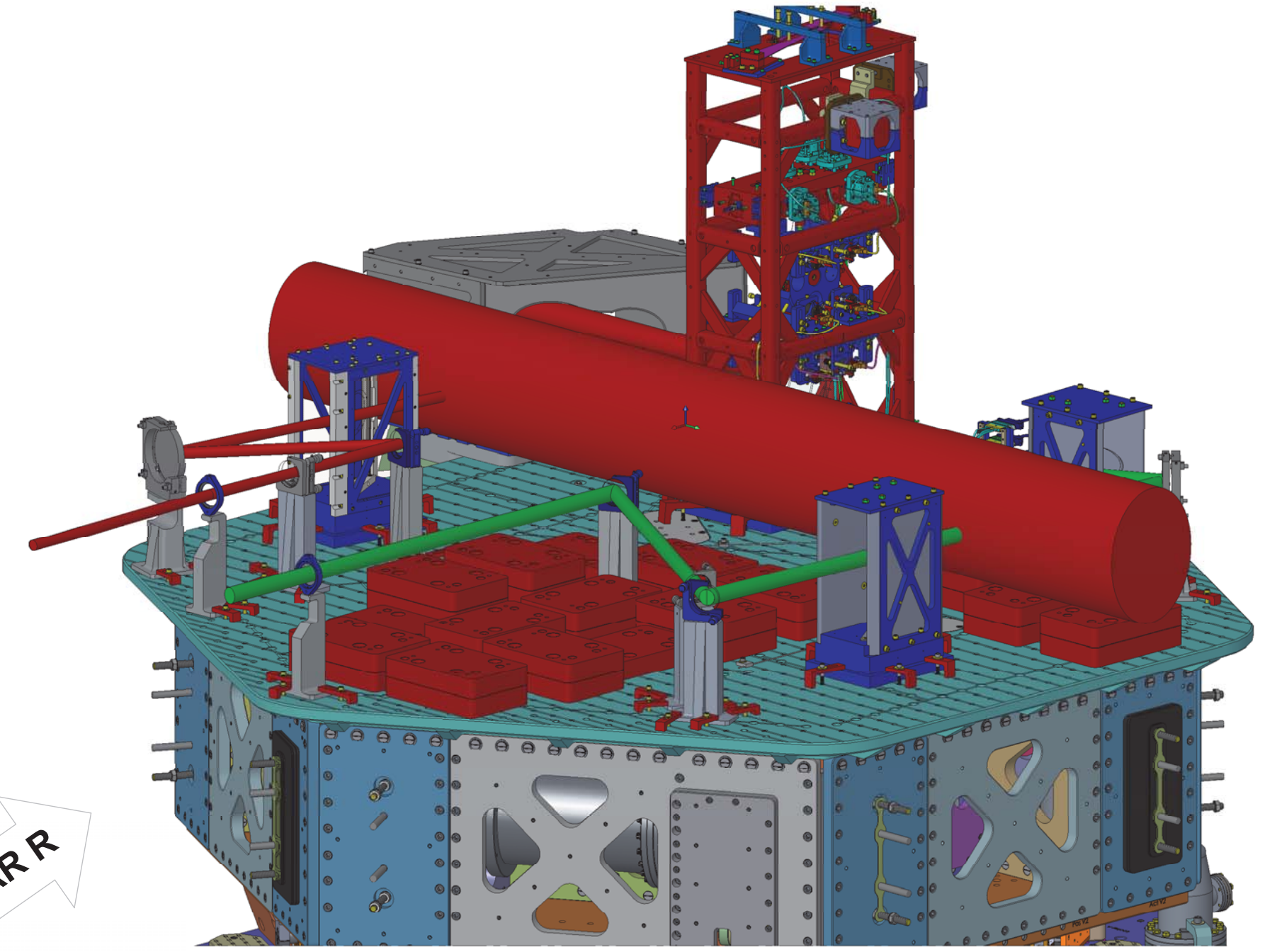


LASER BEAMS - ORTHO VIEWS

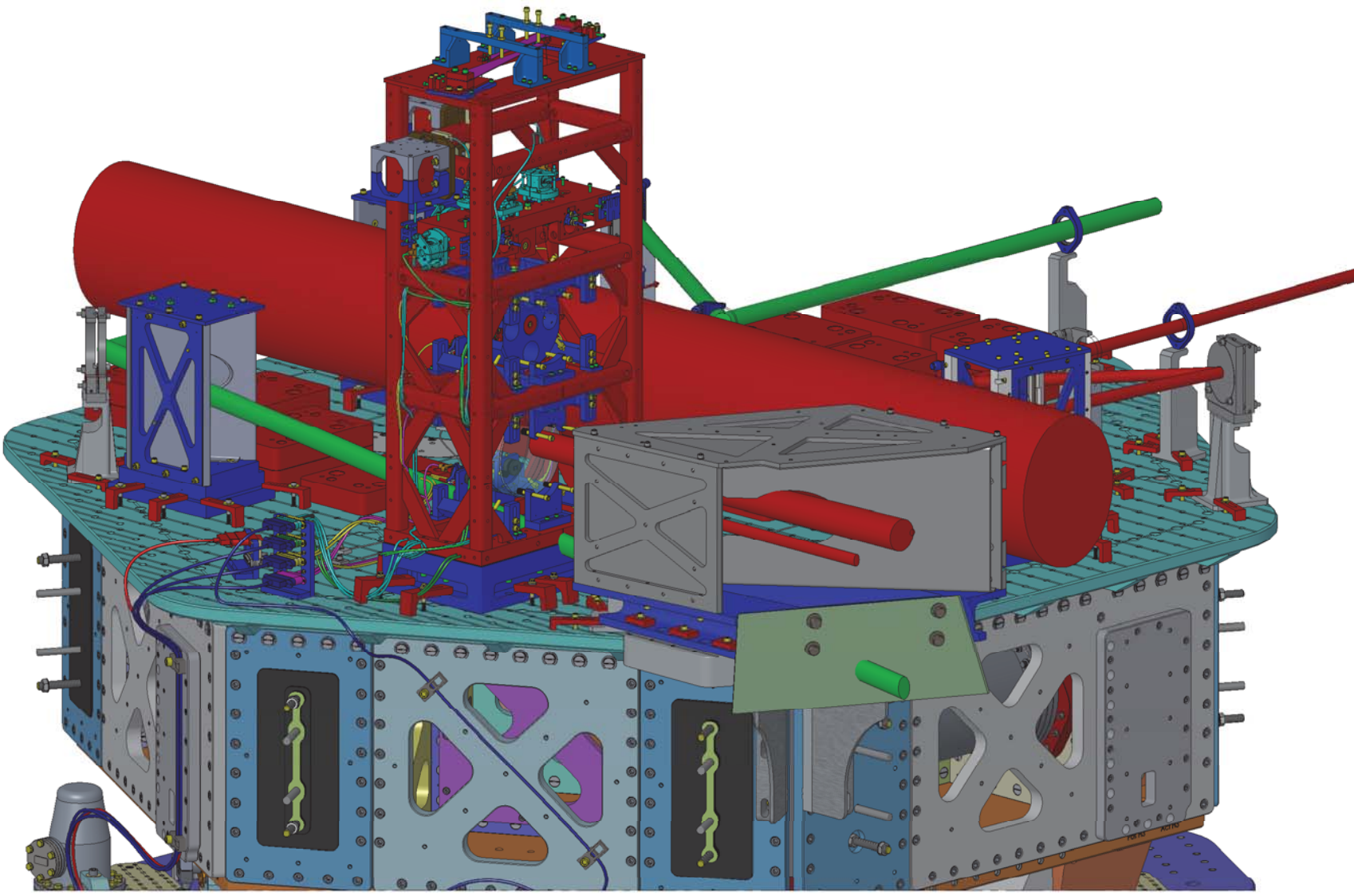
LIGO CALIFORNIA INSTITUTE OF TECHNOLOGY MASSACHUSETTS INSTITUTE OF TECHNOLOGY	
SIZE DWG. NO.	REV.
D D0901125	v9
SCALE: 1:24	PROJECTION: SHEET 3 OF 4



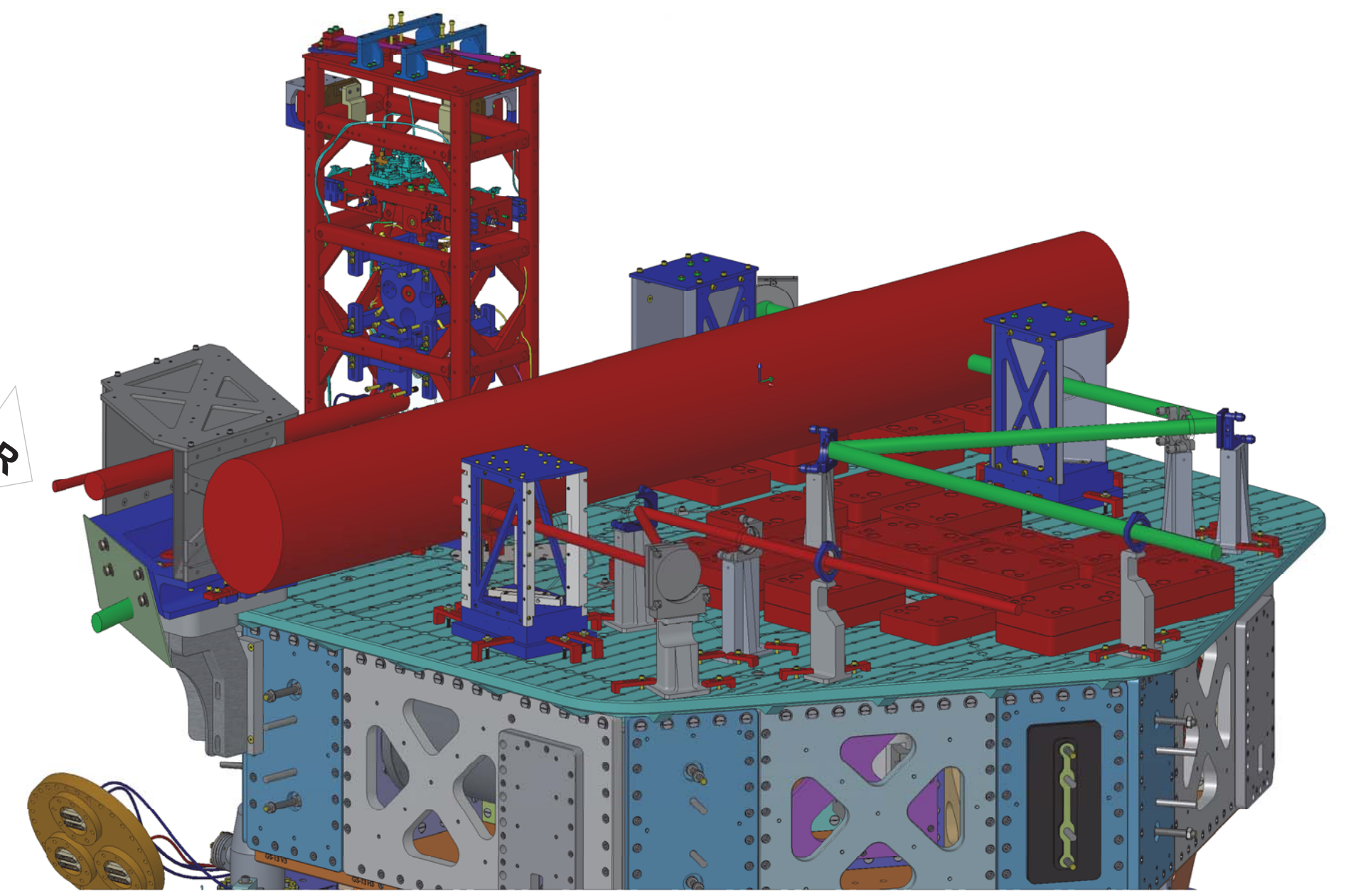
ISO REAR - LEFT



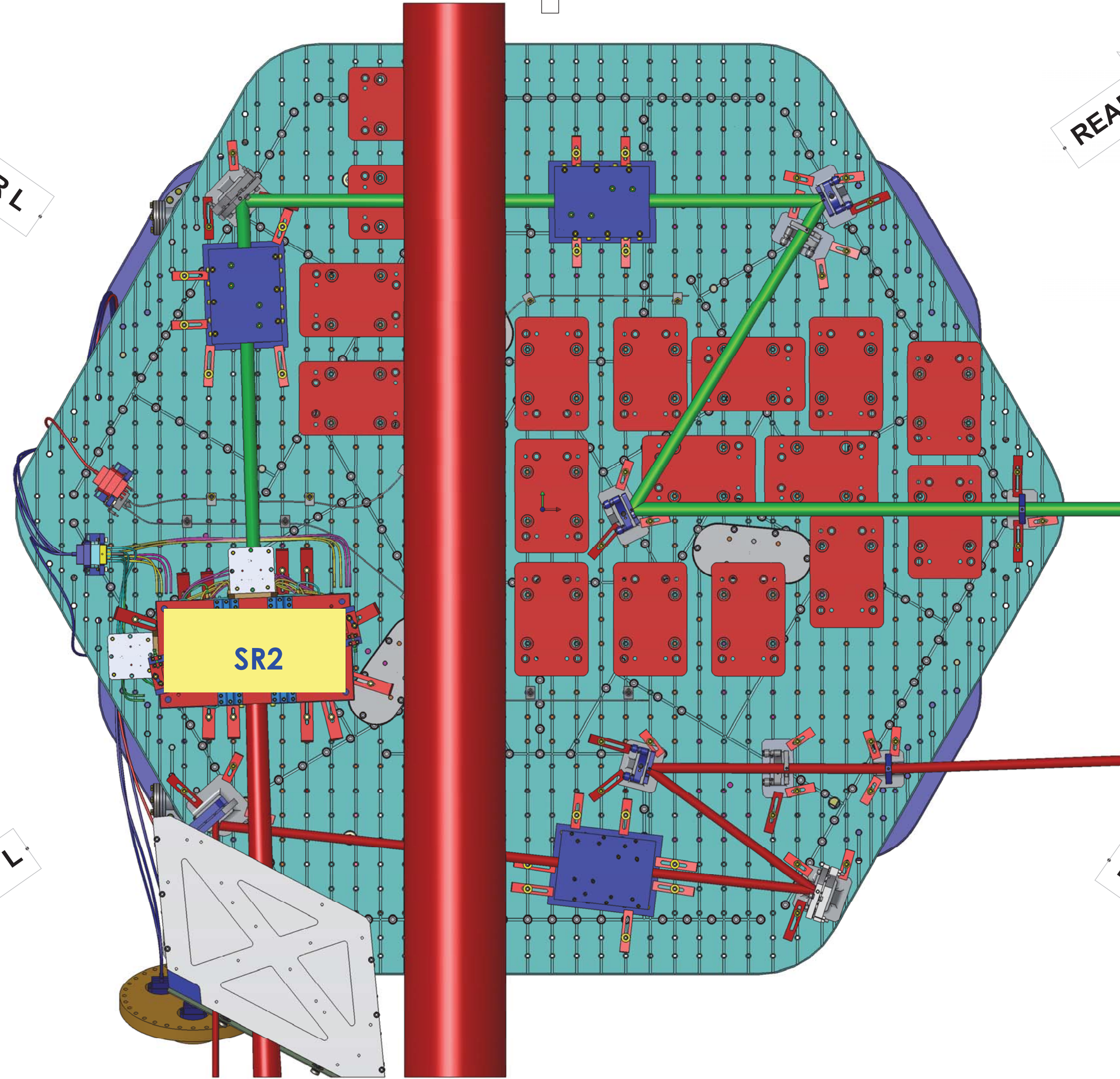
ISO REAR - RIGHT



ISO FRONT - LEFT



ISO FRONT - RIGHT



TOP VIEW

WBSC2

+Y

+X

WHAM5

REAR L

REAR R

FRONT L

FRONT R

LASER BEAMS - ISO VIEWS

CALIFORNIA INSTITUTE OF TECHNOLOGY MASSACHUSETTS INSTITUTE OF TECHNOLOGY		
SIZE	DWG. NO.	REV.
D	D0901125	v9
SCALE: 1:24	PROJECTION:	SHEET 4 OF 4