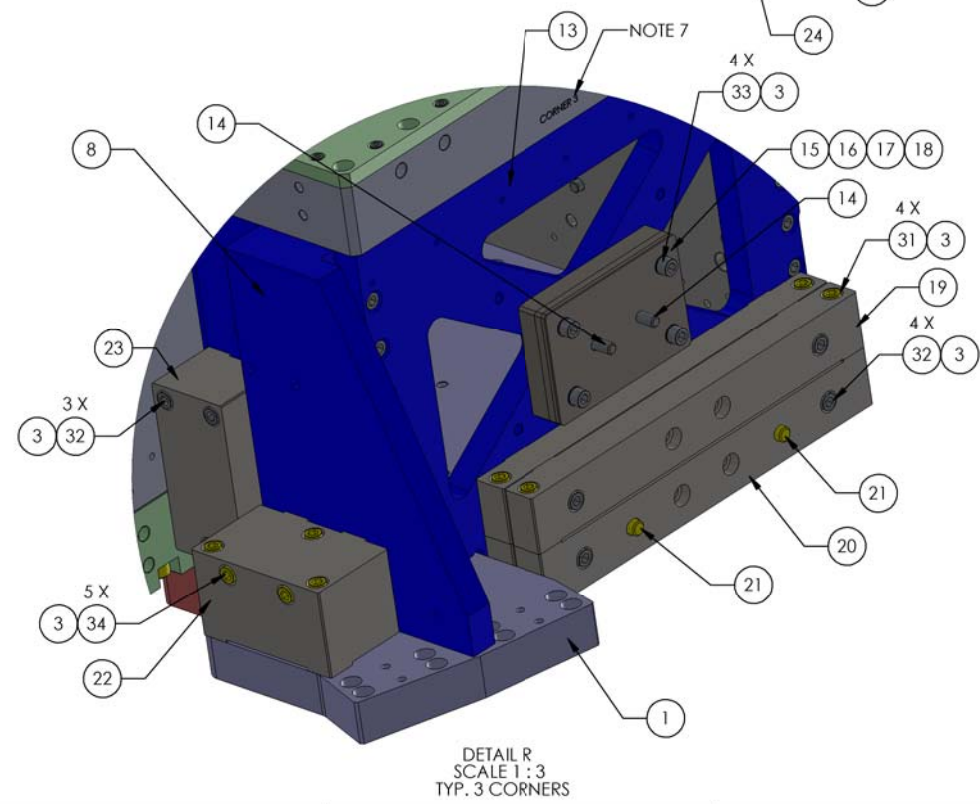
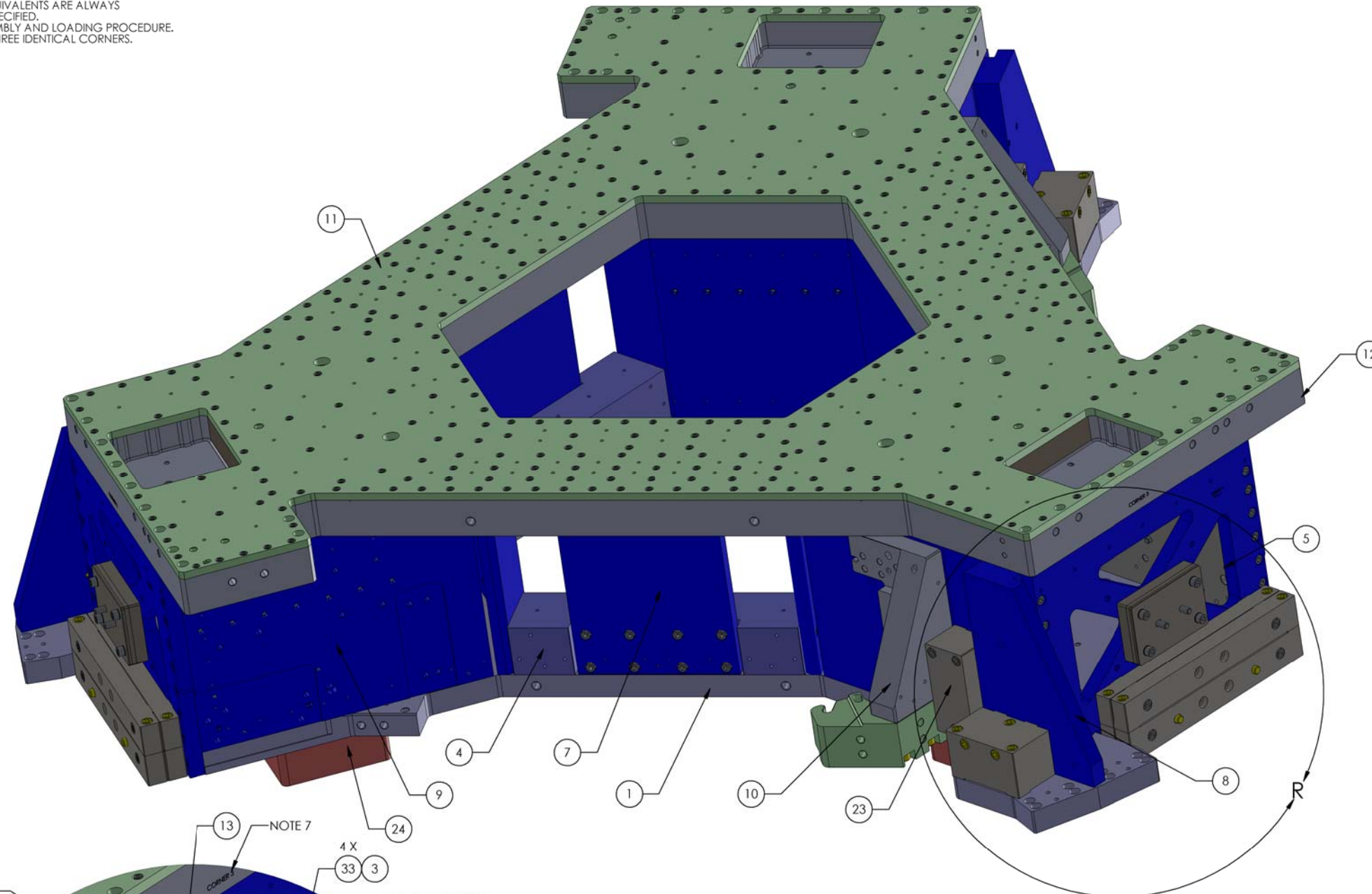


NOTES CONTINUED:

- 5. VENDOR REFERENCES ARE PROVIDED AS EXAMPLES OF PARTS MEETING ALL REQUIRED SPECIFICATIONS. EQUIVALENTS ARE ALWAYS ACCEPTABLE UNLESS OTHERWISE SPECIFIED.
- 6. REFER TO LIGO E0900357 FOR ASSEMBLY AND LOADING PROCEDURE.
- 7. NOTE CORNER ID, ASSEMBLY HAS THREE IDENTICAL CORNERS.
- 8. SEE SHEET FOR LAYOUT OF WALLS.



DETAIL R
SCALE 1 : 3
TYP. 3 CORNERS

REV.	DATE	DCN #	DRAWING TREE #
v1	11 Jan 2011	E1100026	E1000025
v2	12 Apr. 2011	E1000422	E1000025

ITEM NO.	PART NUMBER	DESCRIPTION	MATERIAL	REQ
34	MSC_5682406	SHCS 3/8-16 x 3.75 lg. 1/4 to 3" thd	18-8 SSSL	15
33	HOLOKROME_78106	SHCS 3/8-16x2"	18-8 SS	12
32	MCMaster_92196A636	SHCS, 3/8"-16x3.0"	18-8 SS	21
31	McMaster_92196A637	SHCS, 3/8"-16 X 3.25" (PARTIAL THREAD 1.25"-3")	18-8 SSSL	12
30	UC_COMPONENTS_WFV-25	Vented Washer, .255 ID X .468 OD X .032 THK #1/4	18-8 SSSL	405
29	HOLOKROME_78058	SHCS, 1/4"-20x.75"	18-8 SS	405
28	MCMaster_90145A620	Dowel Pin, .375 od x .625 lg	18-8 SS	12
27	HOLOKROME_78102	SHCS, 3/8"-16x1.5"	18-8 SS	120
26	D0902443	BACK RIBS, STAGE 1, aLIGO BSC ISI	6061-T6 Al	3
25	D0902441	SIDE RIBS, STAGE 1, aLIGO BSC ISI	6061-T6 Al	6
24	D0902280	BALLAST, STAGE 1, aLIGO BSC-ISI	6061-T6 Al	3
23	D0902612	LATERAL TRIM MASS 12 LBS, STAGE 1, aLIGO BSC-ISI	AlSI 304	3
22	D0902613	LATERAL TRIM MASS 15 LBS, STAGE 1, aLIGO BSC ISI	AlSI 304	3
21	McMaster_90145A726	Dowel Pin .50 od x 3.5 lg	18-8 SSSL	6
20	D0902614	Front Lower Trim Mass 10 Lbs., Stage 1, aLIGO BSC ISI	AlSI 304	6
19	D0902615	Front Upper Trim Mass 10 Lbs., Stage 1, aLIGO BSC-ISI	AlSI 304	6
18	D0902616-4	Small Trim Masses, Stage 1, aLIGO BSC-ISI	AlSI 304	3
17	D0902616-3	Small Trim Masses, Stage 1, aLIGO BSC-ISI	AlSI 304	3
16	D0902616-2	Small Trim Masses, Stage 1, aLIGO BSC-ISI	AlSI 304	3
15	D0902616-5	Small Trim Masses, Stage 1, aLIGO BSC-ISI	AlSI 304	3
14	McMaster_90145A633	Dowel Pin .375 od x 2.50 lg	18-8 SS	6
13	D0902281	Door, Stage 1, aLIGO BSC ISI	6061-T6 Al	3
12	D0902273	Close Out Plate, Stage 1 aLIGO BSC-ISI	6061-T6 Al	1
11	D0902503	BSC-ISI, Stage 1, Close Out Plate Cover	6061-T6 Al	1
10	D0902425	FLEXURE ROD BRACKET ASSY, STAGE 1, aLIGO BSC ISI	N/A	3
9	D0902278	L4C WALL, STAGE 1, aLIGO BSC ISI	6061-T6 Al	3
8	D0902274	FLEXURE WALL, STAGE 1, aLIGO BSC ISI	6061-T6 Al	3
7	D0902282	HEX INNER WALL, STAGE 1, aLIGO BSC ISI	6061-T6 Al	3
6	D0902271	ANGLED HEX WALL, STAGE 1, aLIGO BSC ISI	6061-T6 Al	3
5	McMaster_90145A624	Pin 3/8" (.3751) x 1.0 L	18-8 SS	51
4	D0902272	BLOCKS LINK, STAGE 1, aLIGO BSC ISI	6061-T6 Al	3
3	UC_COMPONENTS_WFV-38	Washer Vented, .39 ID X .63 OD X .032 THK #3/8"	18-8 SS	573
2	HOLOKROME_78100	SHCS, 3/8"-16x1.25"	18-8 SS	393
1	D0902279	Base Plate, Stage 1, aLIGO BSC-ISI	6061-16 Al	1

NOTES AND TOLERANCES: (UNLESS OTHERWISE SPECIFIED)	
1. INTERPRET DRAWING PER ASME Y14.5-1994.	
2. REMOVE ALL SHARP EDGES, R.02 MIN.	
3. DO NOT SCALE FROM DRAWING.	
4. ALL MACHINING FLUIDS MUST BE FULLY SYNTHETIC, FULLY WATER SOLUBLE AND FREE OF SULFUR, SILICONE, AND CHLORINE.	
DIMENSIONS ARE IN INCHES	
TOLERANCES: .XX ± N/A .XXX ± N/A	
ANGULAR ± N/A *	
MATERIAL	N/A
FINISH	N/A μinch

LIGO CALIFORNIA INSTITUTE OF TECHNOLOGY MASSACHUSETTS INSTITUTE OF TECHNOLOGY

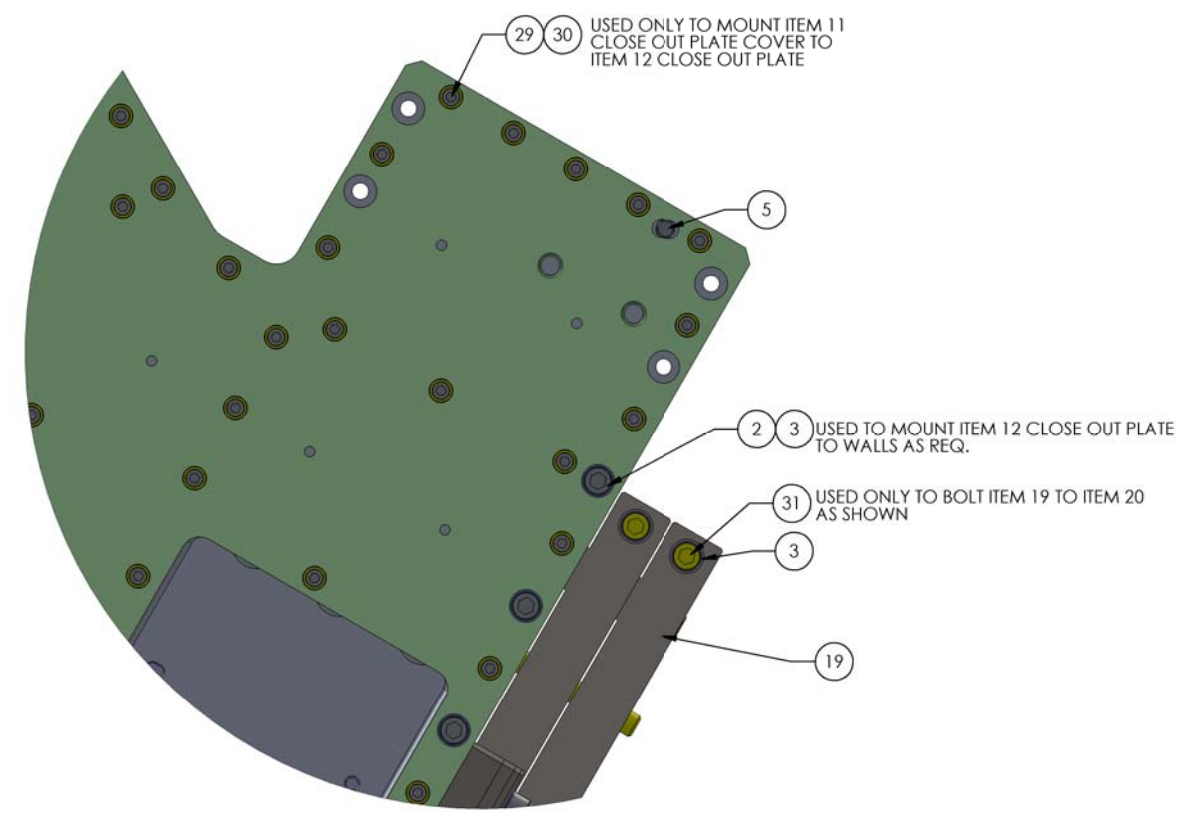
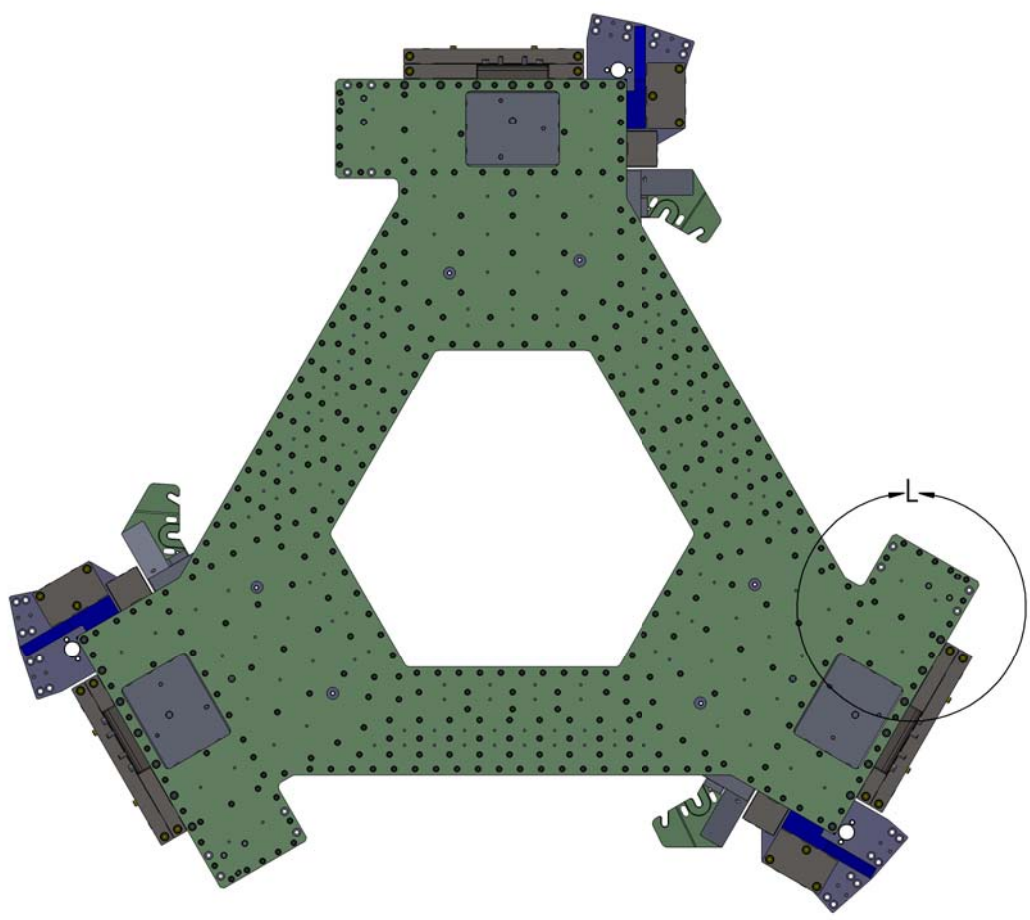
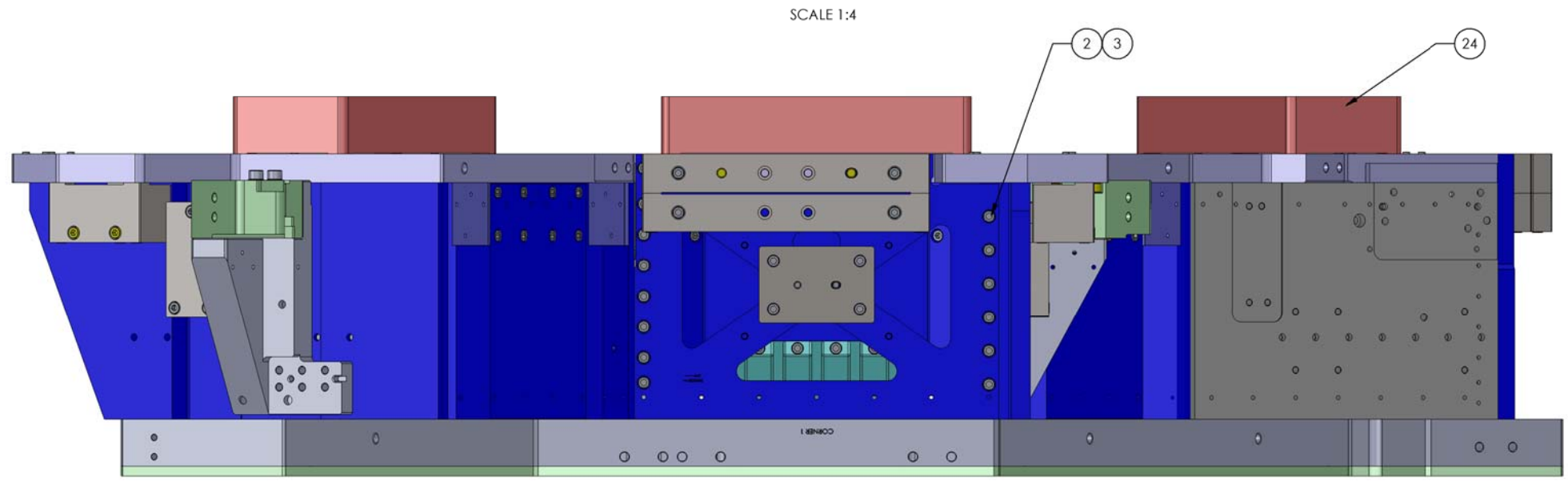
SYSTEM: **ADVANCED LIGO** SUB-SYSTEM: **SEI**

NEXT ASSY: **D0901182**

PART NAME: **STAGE 1 ASSEMBLY, aLIGO BSC ISI**

DESIGNER	F.MATICHARD	16 Sept. 2009	SIZE	DWG. NO.	REV.
DRAFTER	M.HILLARD	23 June 2010	D	D0901180	v2
CHECKER	A.STEIN	23 June 2010	SCALE: 1:4	PROJECTION:	SHEET 1 OF 4
APPROVAL	K.MASON	23 June 2010			

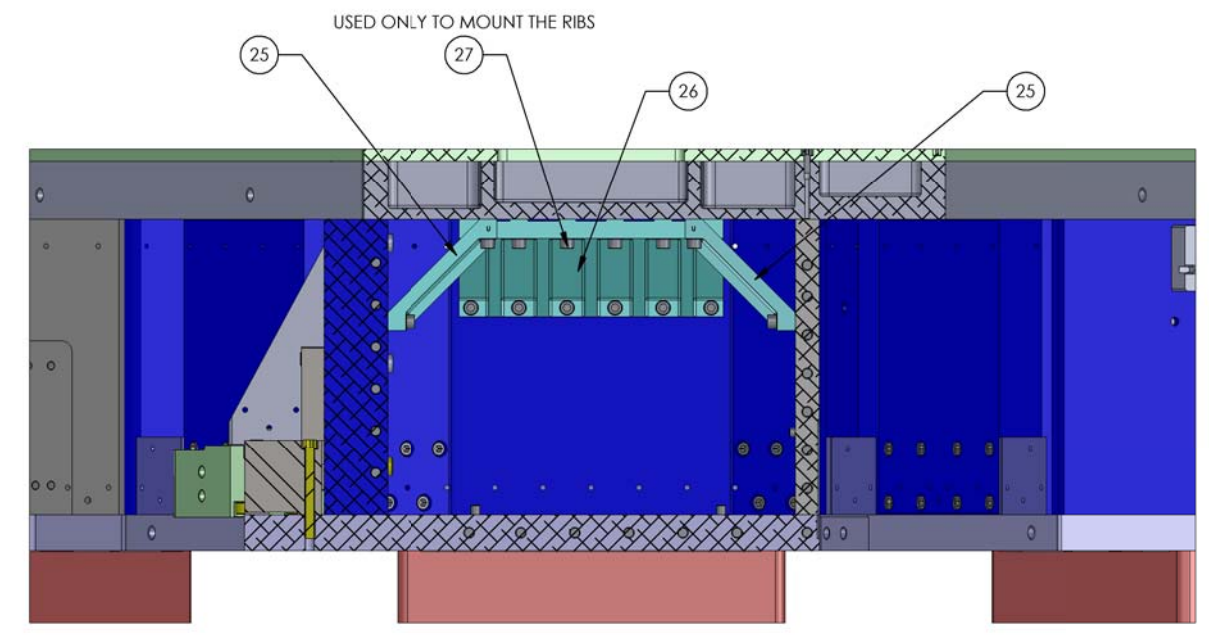
D0901180-Asst LIGO SEI BSC Stage 1 Assembly, PART PDM REV: X-124, DRAWING PDM REV: X-010



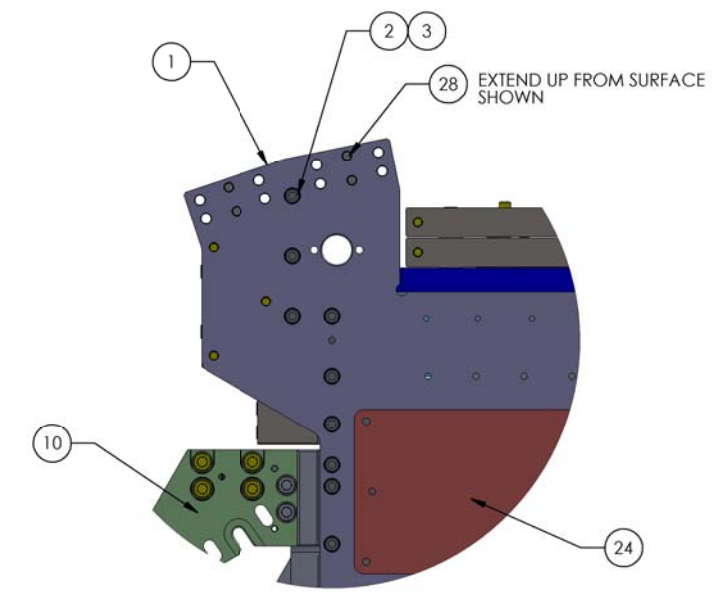
DETAIL L
SCALE 1 : 2
TYP. 3 CORNERS

LIGO CALIFORNIA INSTITUTE OF TECHNOLOGY MASSACHUSETTS INSTITUTE OF TECHNOLOGY		
SIZE	DWG. NO.	REV.
D	D0901180	v2
SCALE: 1:8	PROJECTION:	SHEET 2 OF 4

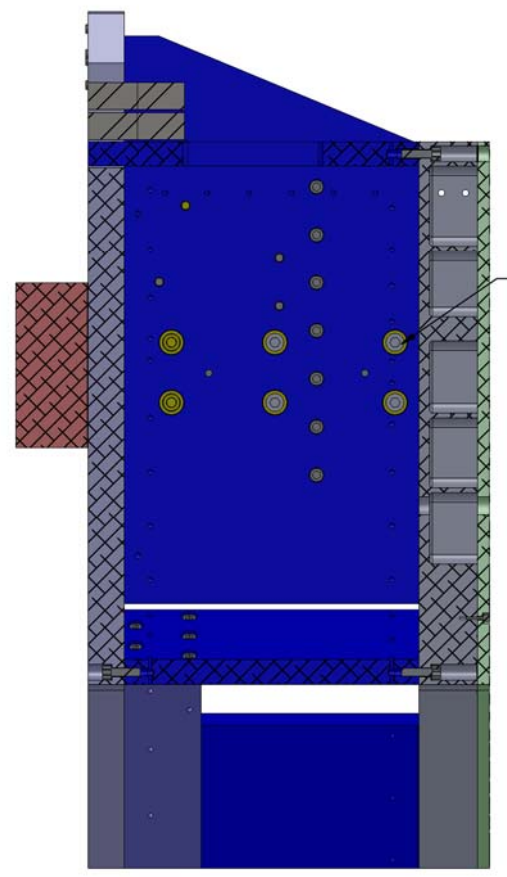
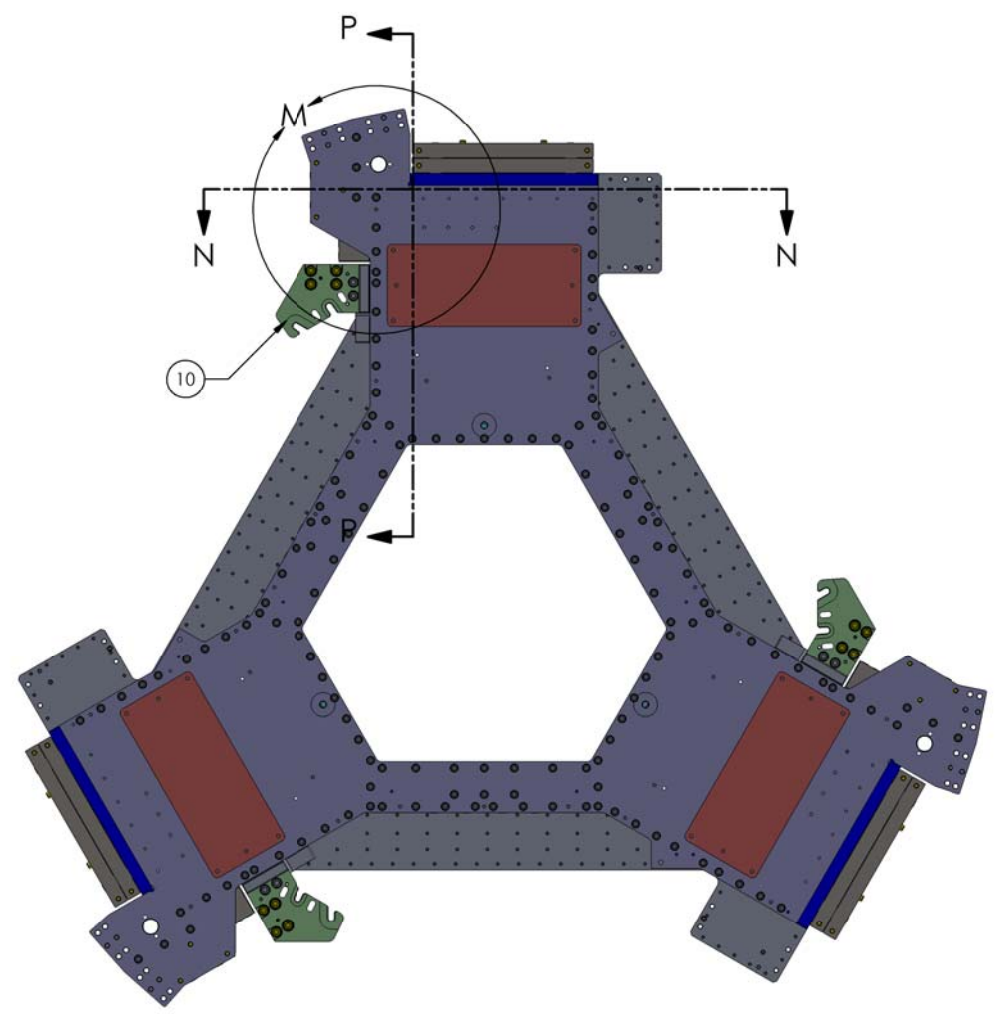
D0901180-ASL LIGO SEI REC Stage 1 Assembly, PART PDM REV: X-124, DRAWING PDM REV: X-010



SECTION N-N
SCALE 1 : 4
TYP. 3 CORNERS



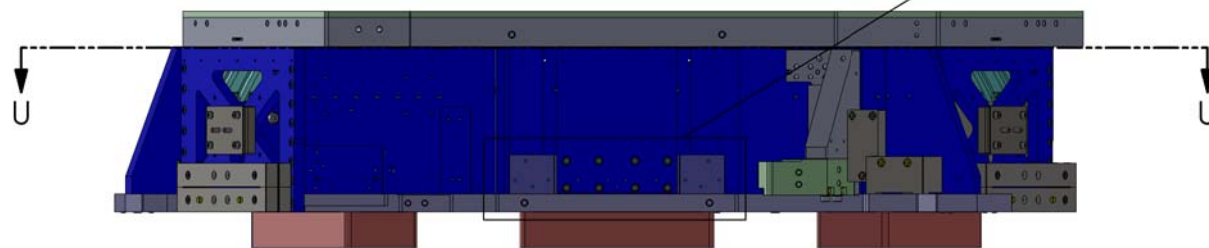
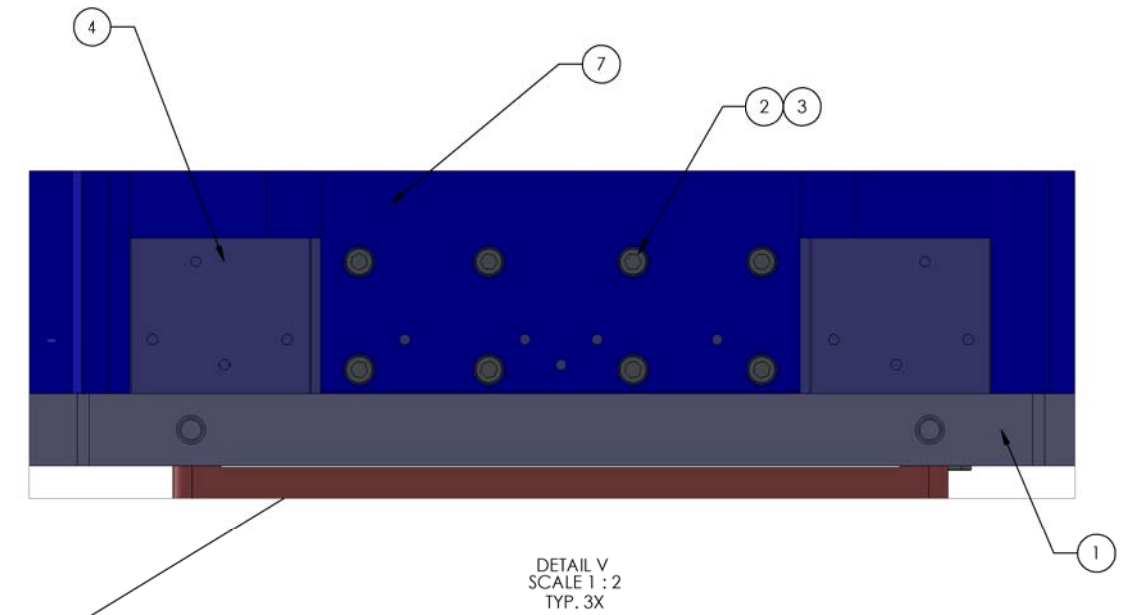
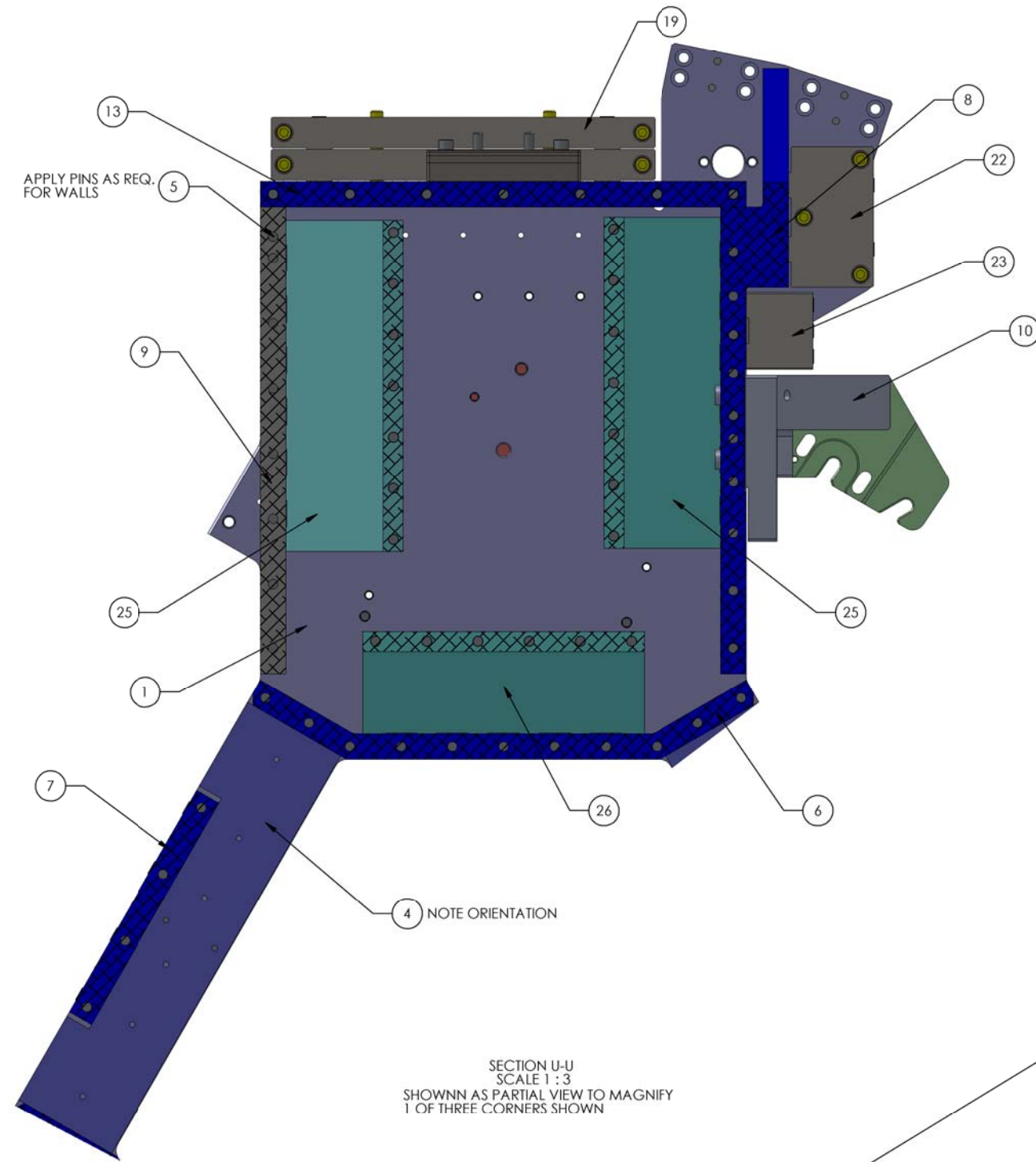
DETAIL M
SCALE 1 : 4
TYP. 3 CORNERS



SECTION P-P
SCALE 1 : 4

LIGO CALIFORNIA INSTITUTE OF TECHNOLOGY MASSACHUSETTS INSTITUTE OF TECHNOLOGY		REV.
SIZE	DWG. NO.	REV.
D	D0901180	v2
SCALE: 1:8	PROJECTION:	SHEET 3 OF 4

D0901180.ASL LIGO SEI BEC Stage 1 Assembly, PART PDM REV: X-124, DRAWING PDM REV: X-010



LIGO CALIFORNIA INSTITUTE OF TECHNOLOGY MASSACHUSETTS INSTITUTE OF TECHNOLOGY		REV.
SIZE	DWG. NO.	REV.
D	D0901180	v2
SCALE: 1:8	PROJECTION:	SHEET 4 OF 4

D0901180-Asst LIGO SES BEC Stage 1 Assembly, PART PDM REV: X-124, DRAWING PDM REV: X-010