

LIGO Laboratory / LIGO Scientific Collaboration

LIGO- D070483-5-K

Advanced LIGO UK

July 2009

PUM Circuit Diagrams

R. M. Cutler, University of Birmingham

Distribution of this document:
Inform aligo_sus

This is an internal working note
of the Advanced LIGO Project, prepared by members of the UK team.

Institute for Gravitational Research

University of Glasgow

Phone +44 (0) 141 330 5884

Fax +44 (0) 141 330 6833

E-mail k.strain@physics.gla.ac.uk

Engineering Department

CCLRC Rutherford Appleton Laboratory

Phone +44 (0) 1235 445 297

Fax +44 (0) 1235 445 843

E-mail J.Greenhalgh@rl.ac.uk

School of Physics and Astronomy

University of Birmingham

Phone +44 (0) 121 414 6447

Fax +44 (0) 121 414 3722

E-mail av@star.sr.bham.ac.uk

Department of Physics

University of Strathclyde

Phone +44 (0) 1411 548 3360

Fax +44 (0) 141 552 2891

E-mail N.Lockerbie@phys.strath.ac.uk

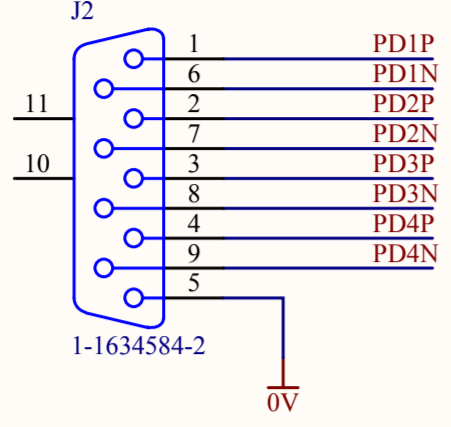
<http://www.ligo.caltech.edu/>

<http://www.physics.gla.ac.uk/igr/sus/>

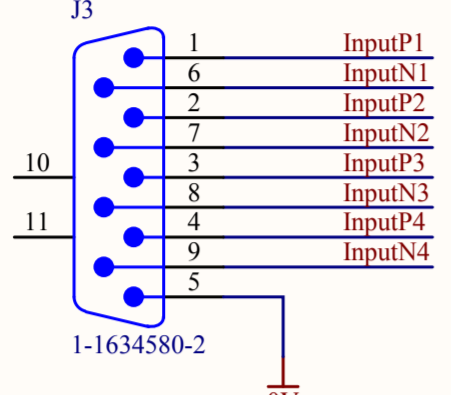
<http://www.sr.bham.ac.uk/research/gravity/rh,d,2.html>

http://www.eng-external.rl.ac.uk/advligo/papers_public/ALUK_Homepage.htm

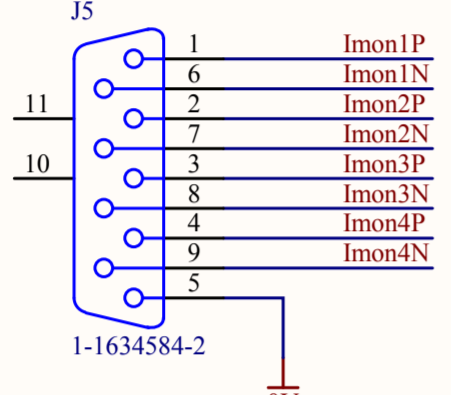
PHOTODIODE OUTPUTS



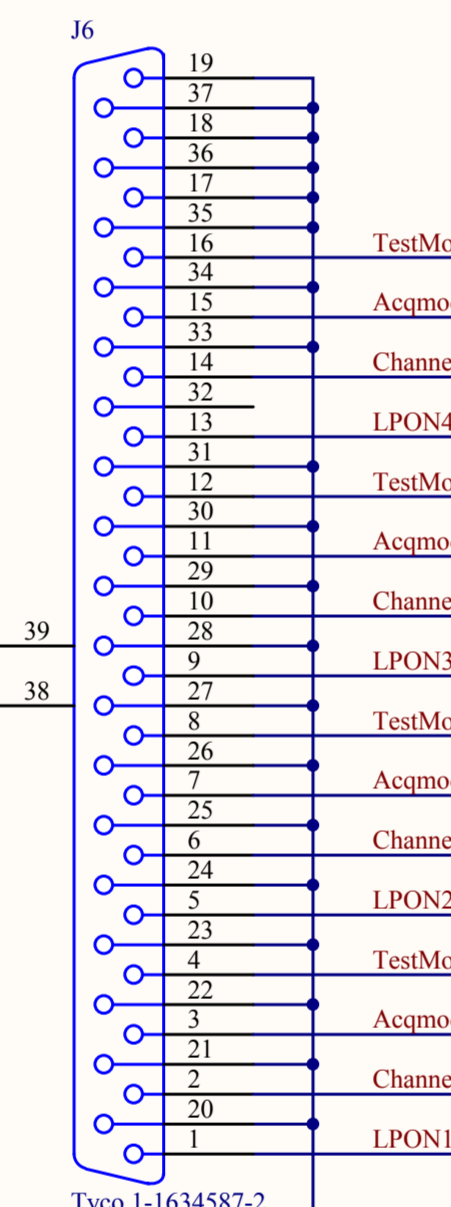
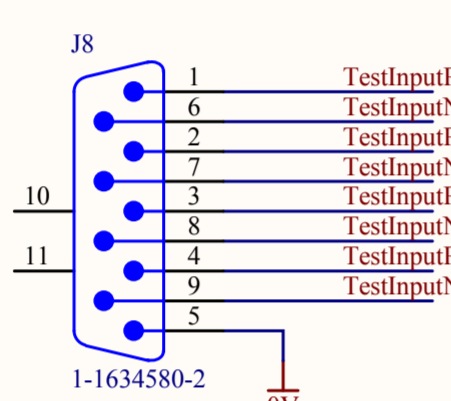
DEMANDS



CURRENT SOURCE MONITORS

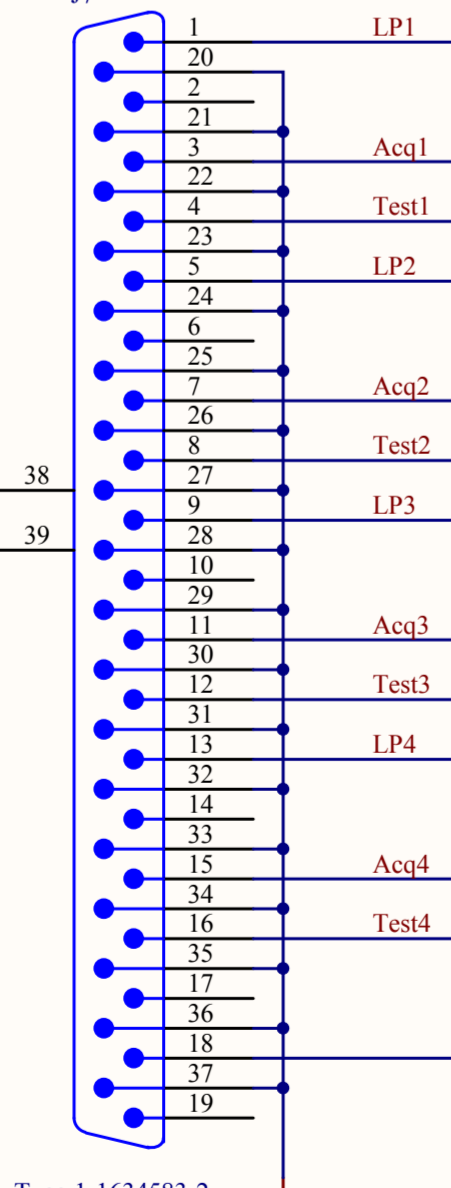


Front Panel Test Inputs



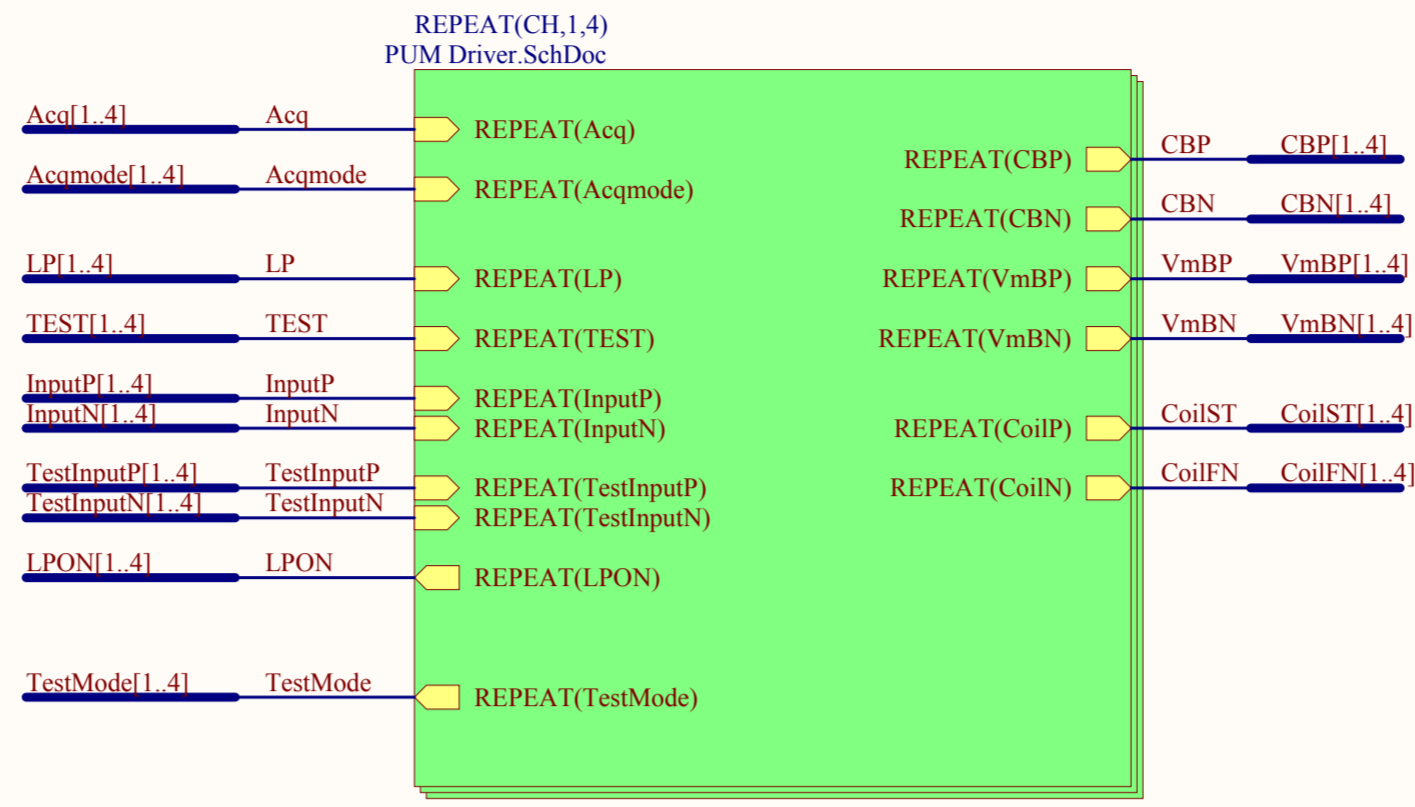
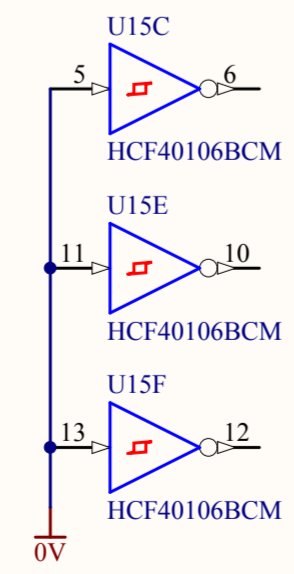
Relay Monitors

D Connector 37 Way Female

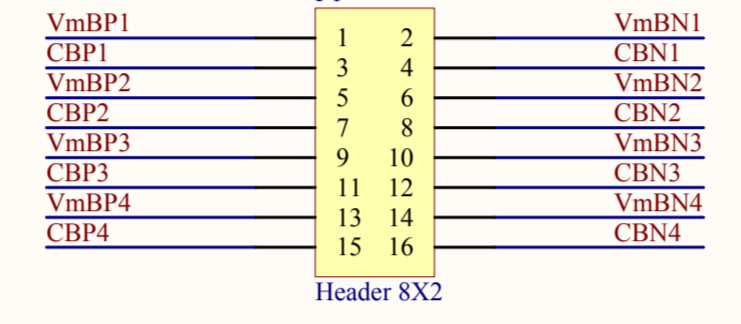


Relay Commands

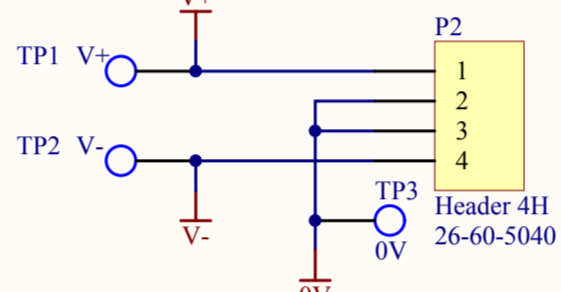
D Connector 37 Way Male



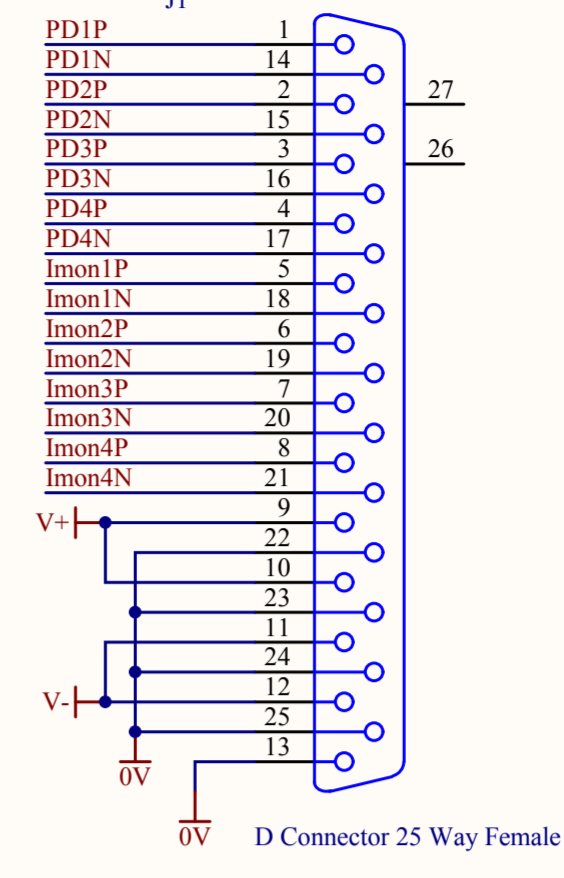
Connections to Monitor Board



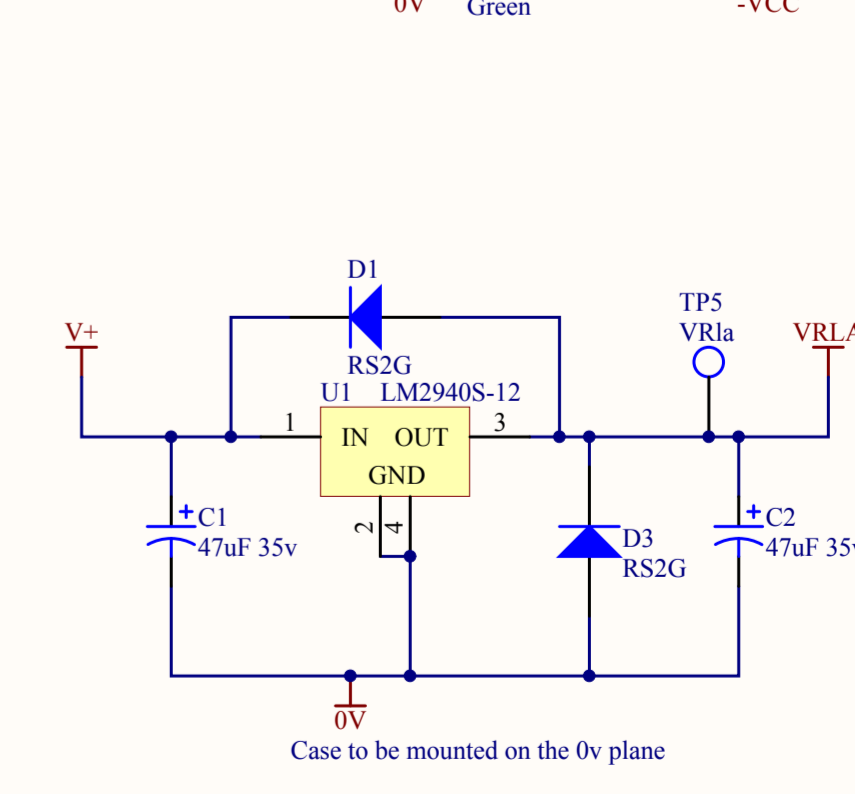
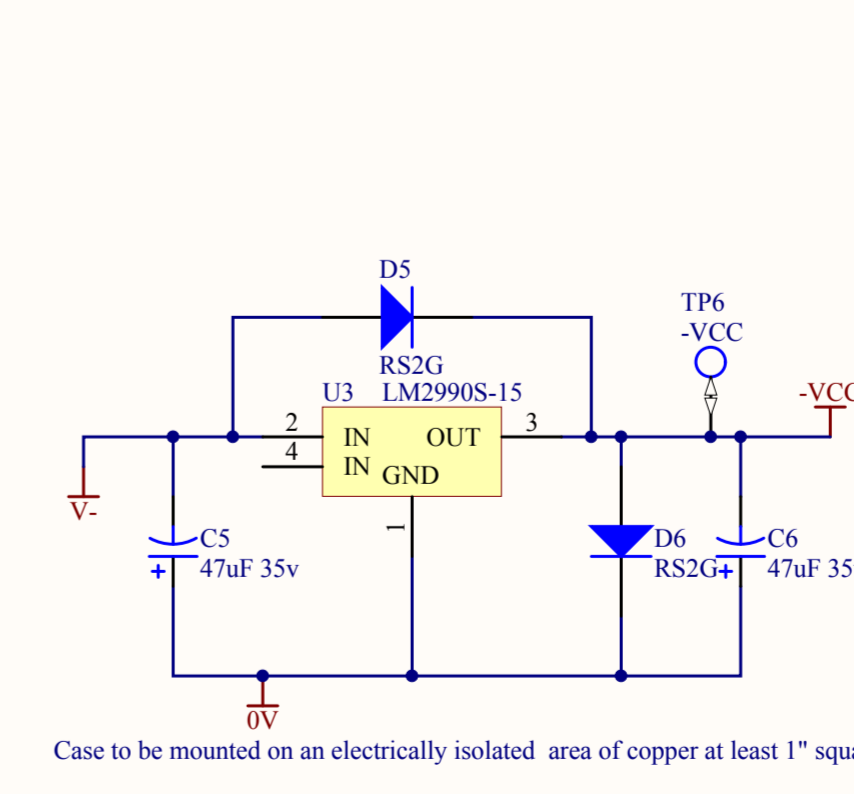
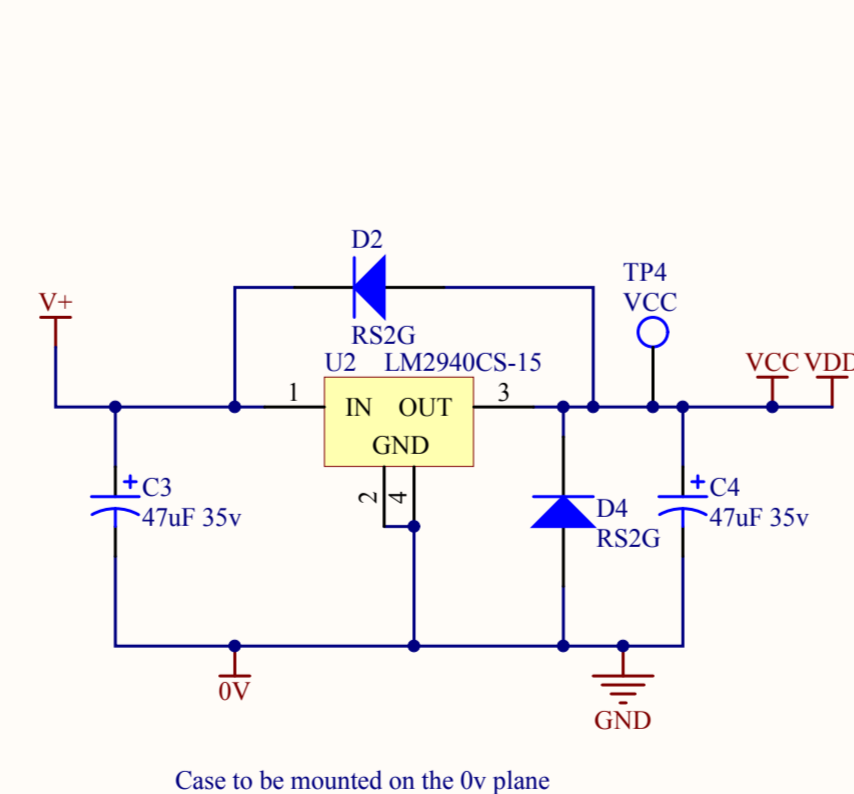
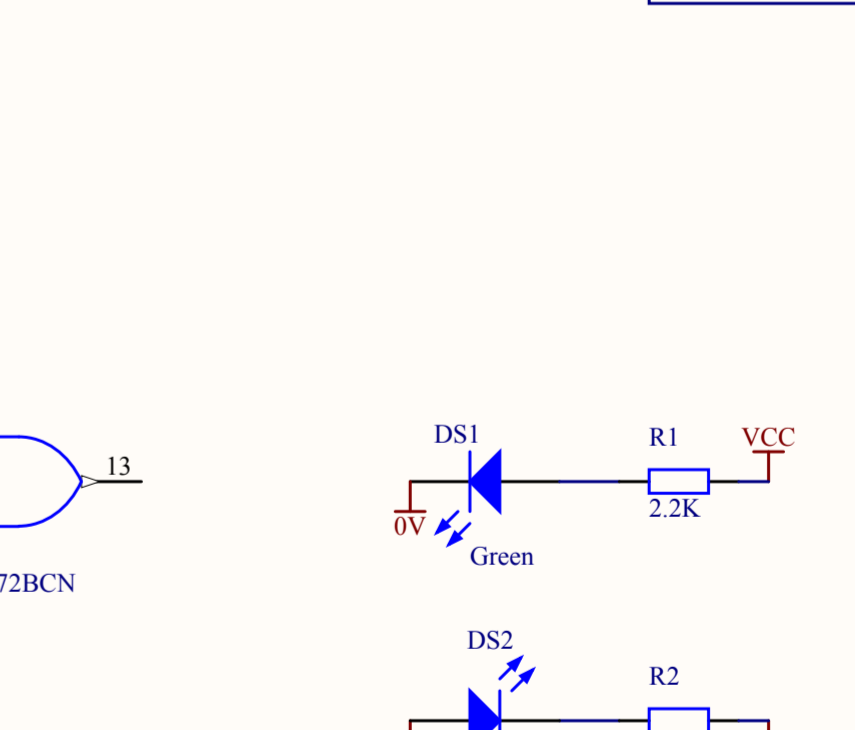
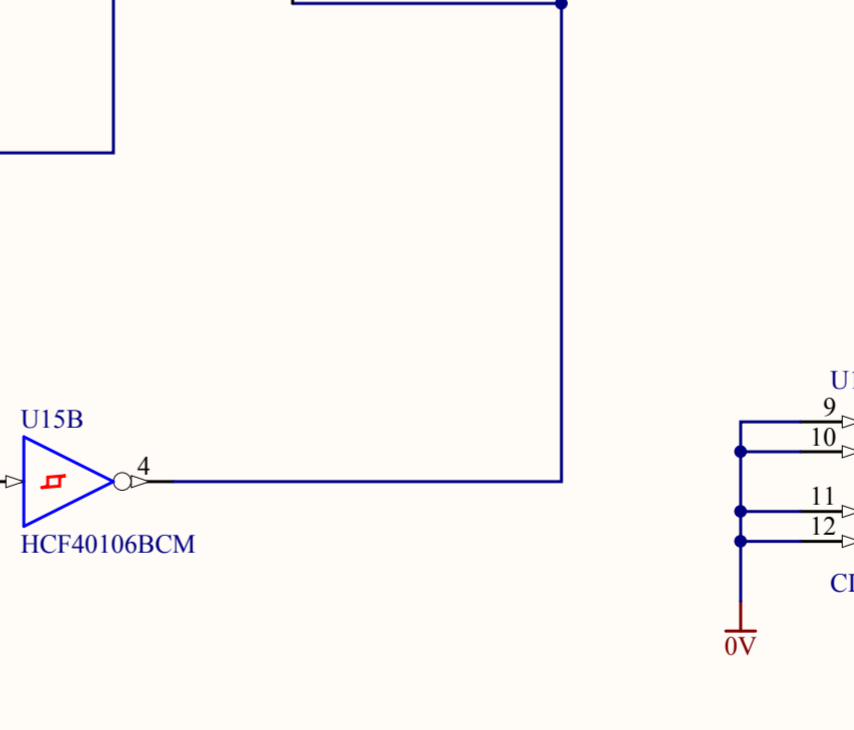
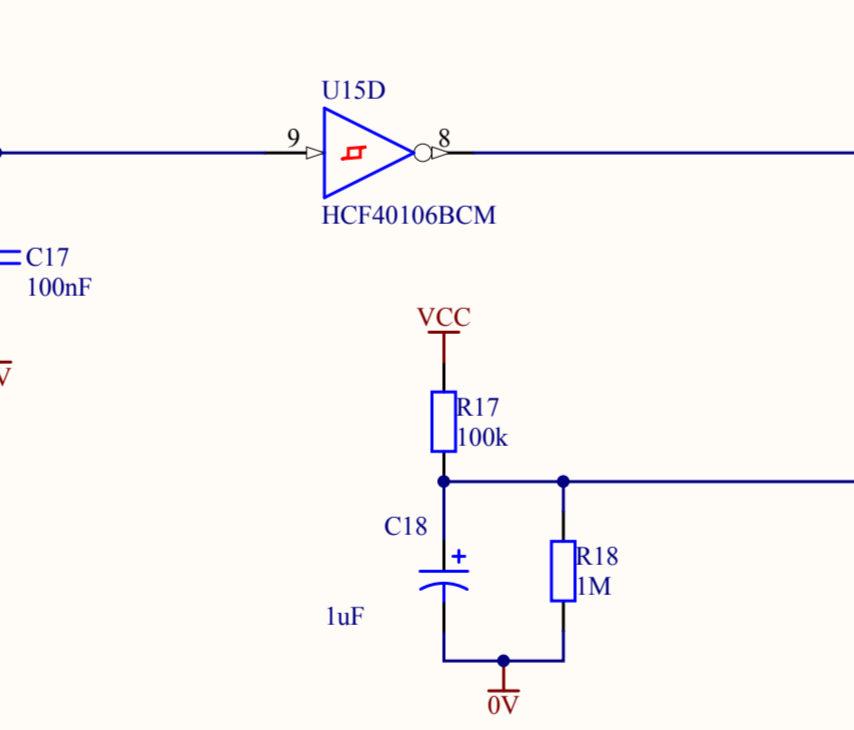
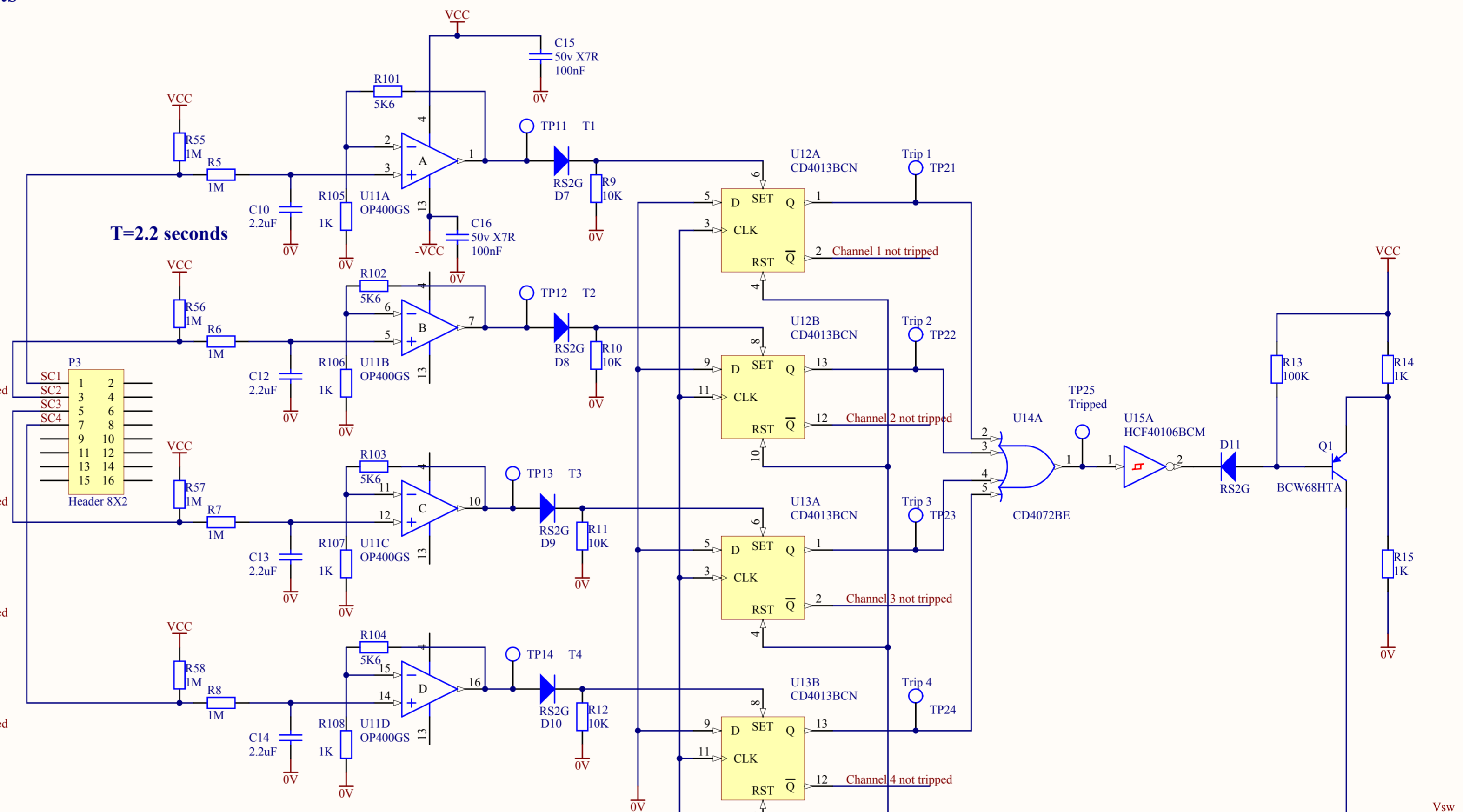
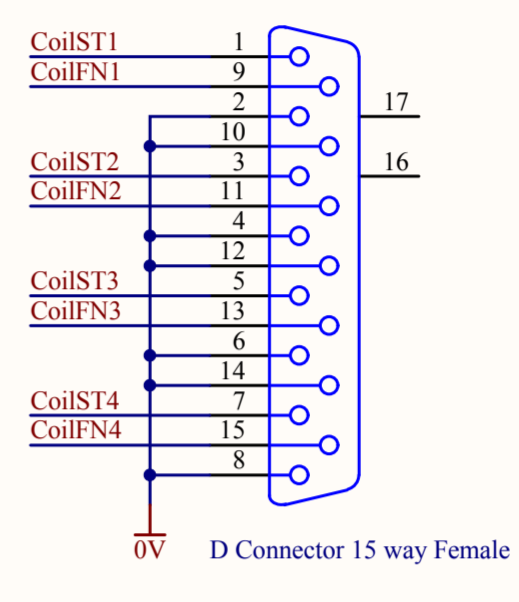
Power connection to rear panel



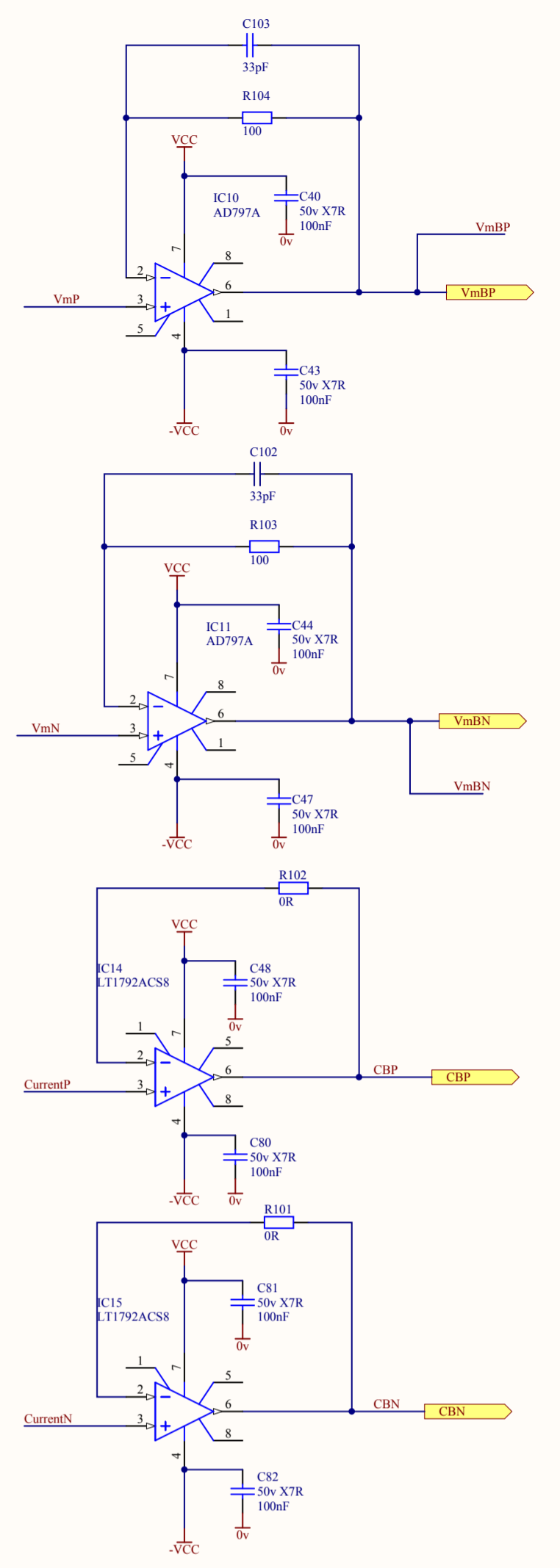
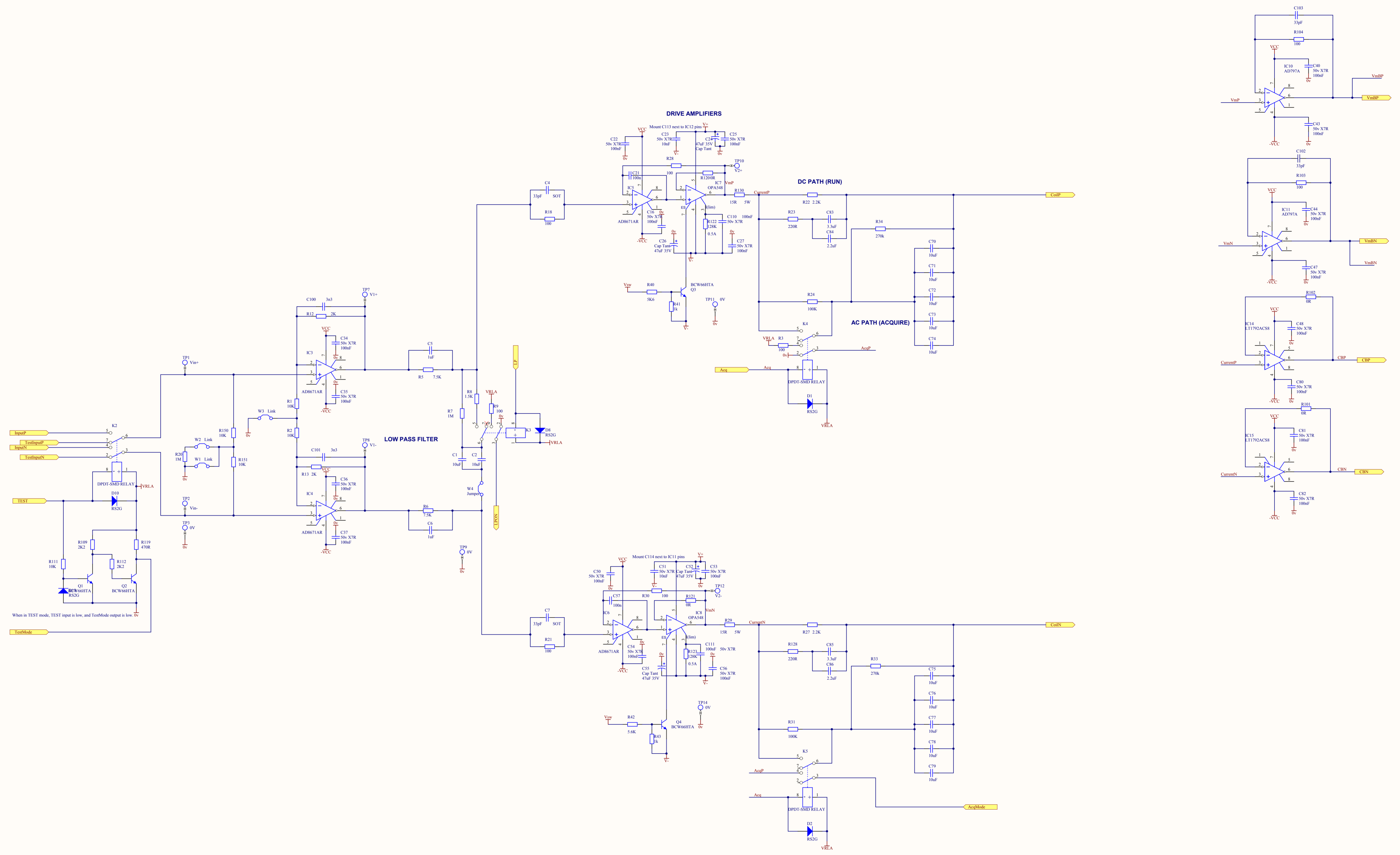
FROM SATELLITE BOX



TO SATELLITE BOX



Title PUM DRIVER Production		
Size C	Number D070483-05-K	Revision 5
Date: 08/07/2009	Sheet 1 of 2	
File: G:\Ron\...PUM Board.SchDoc	Drawn By: Ron Cutler	



Title: PUM COIL DRIVE Production		
Size	Number	Revision
D	D070483-05-K	5
Date	08/07/2009	Sheet 2 of 2
File	G:\Rom_PUM Driver\SchDoc	Drawn By: R.M.Carter