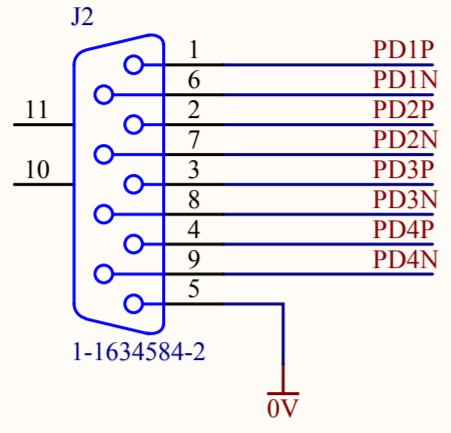
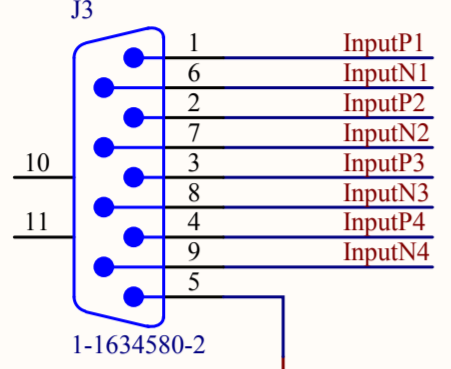


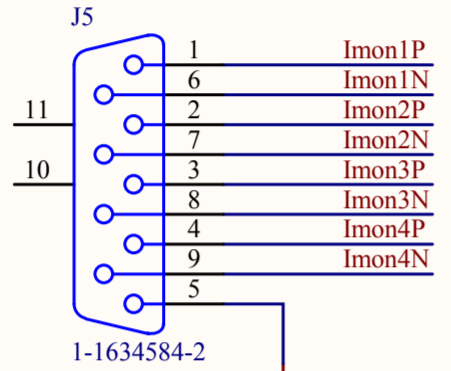
PHOTODIODE OUTPUTS



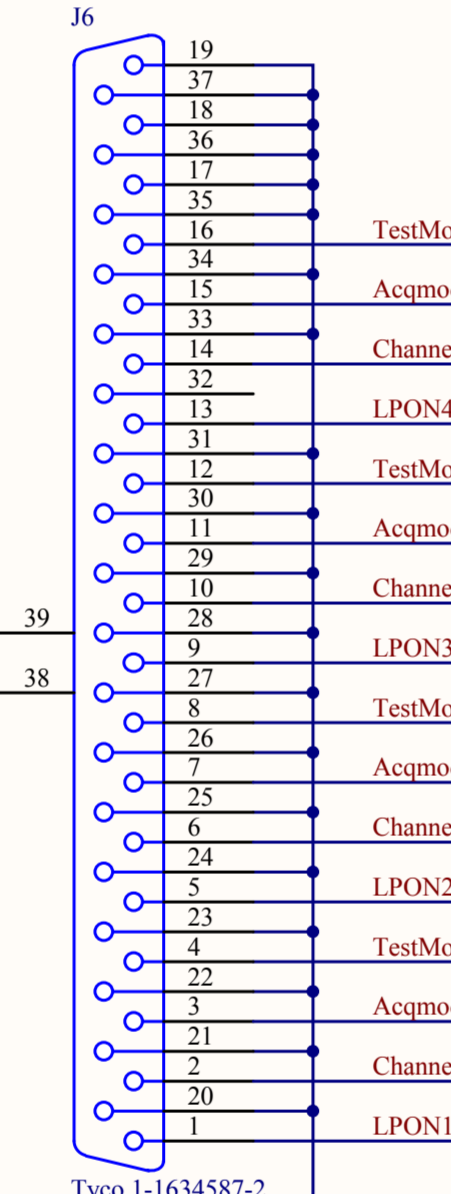
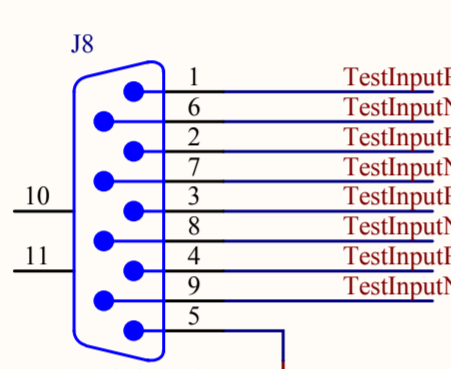
DEMANDS



CURRENT SOURCE MONITORS

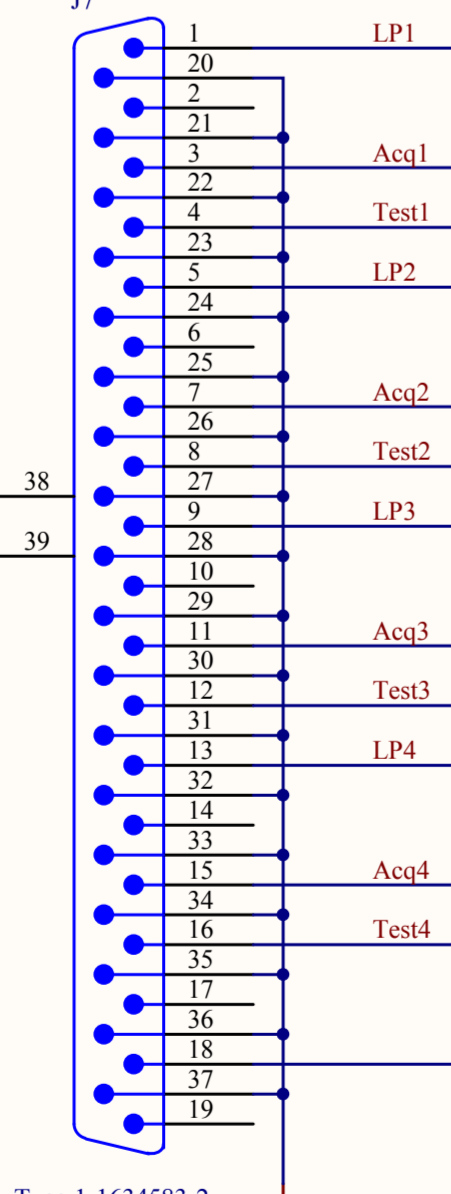


Front Panel Test Inputs



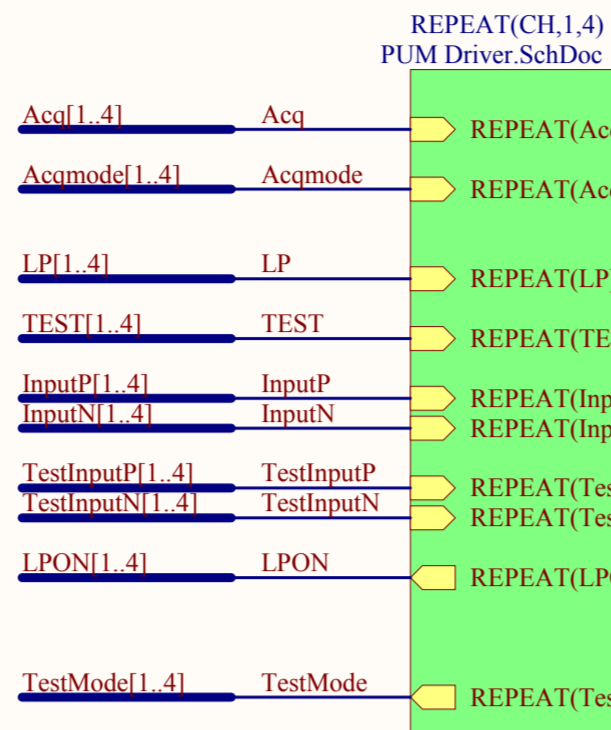
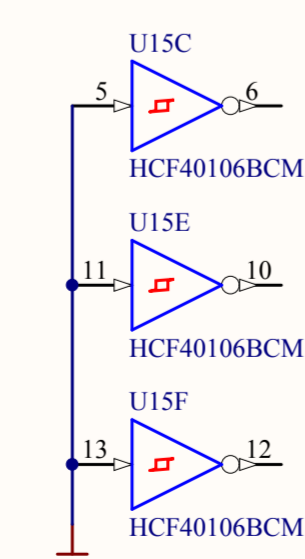
Relay Monitors

D Connector 37 Way Female

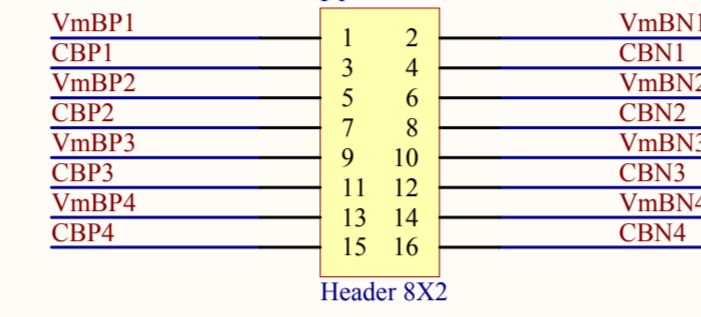


Relay Commands

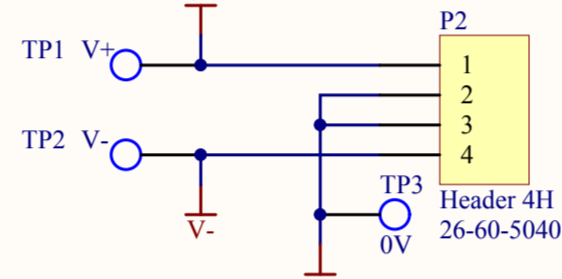
D Connector 37 Way Male



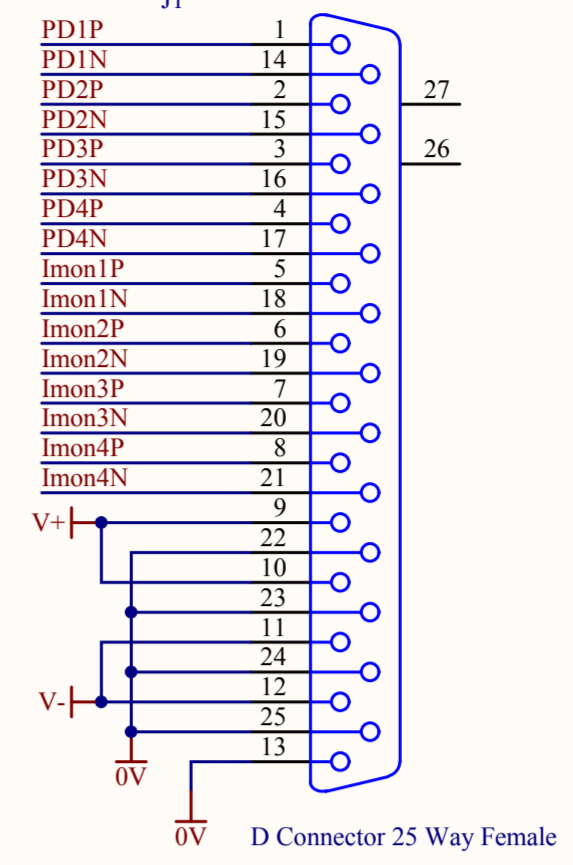
Connections to Monitor Board



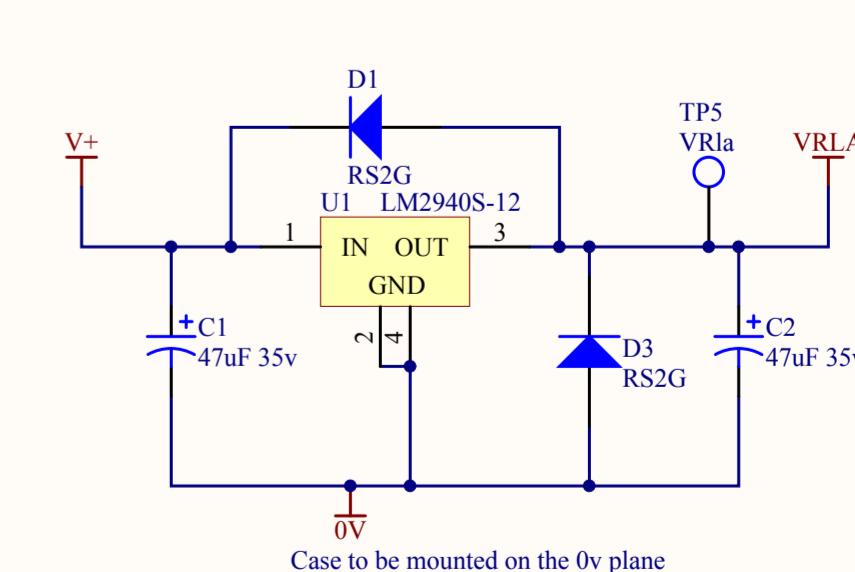
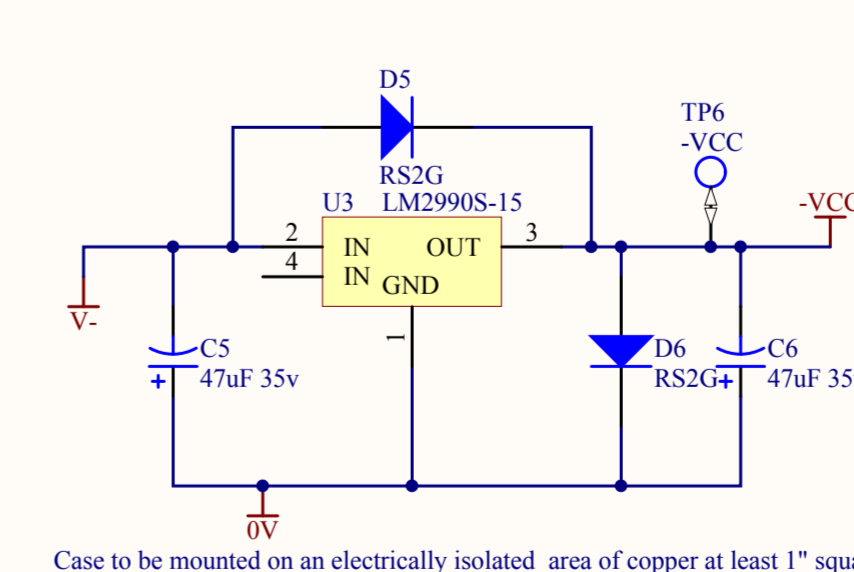
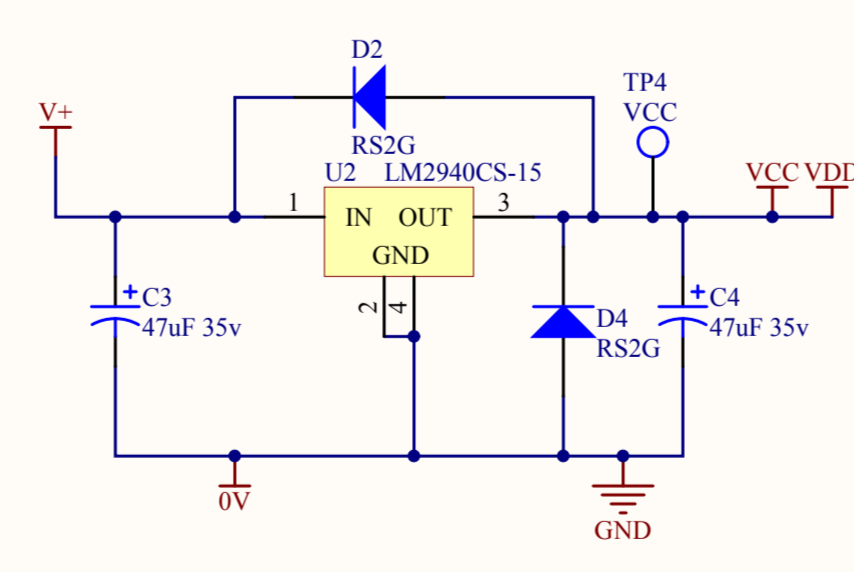
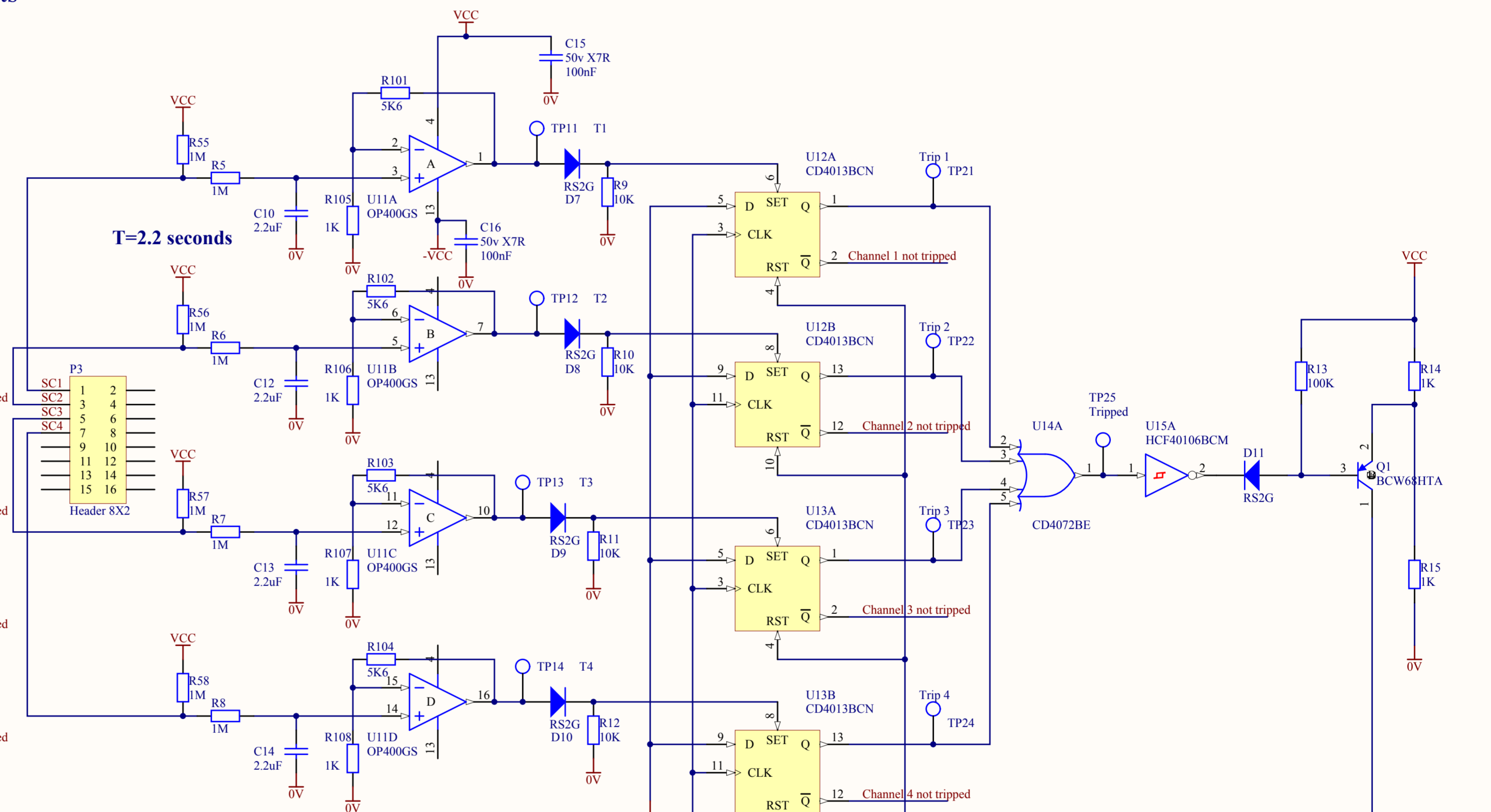
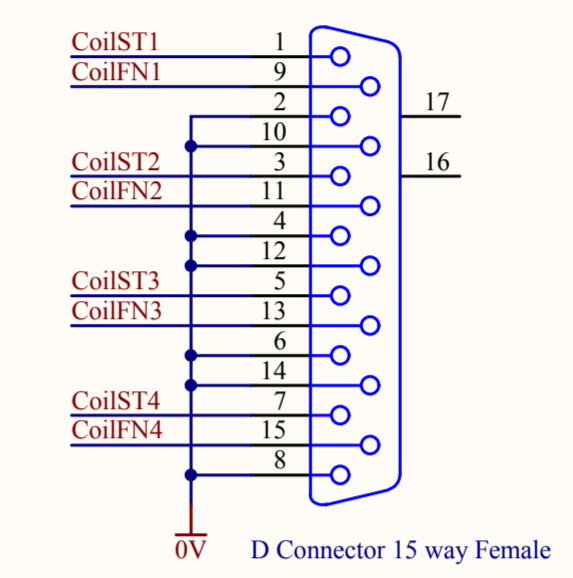
Power connection to rear panel



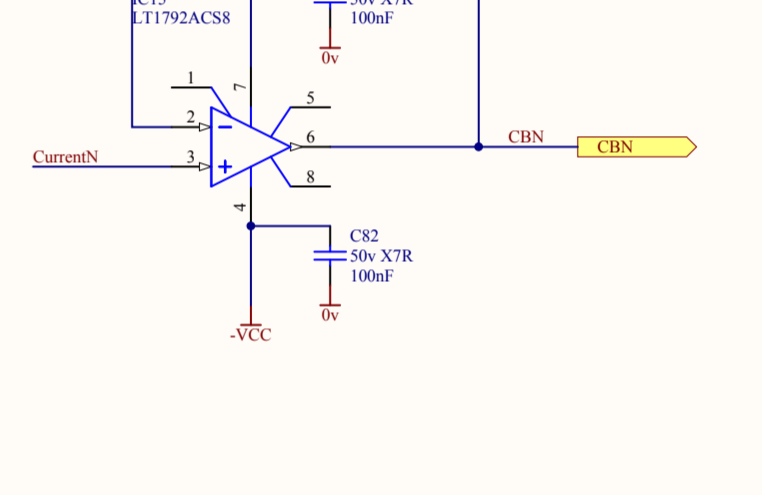
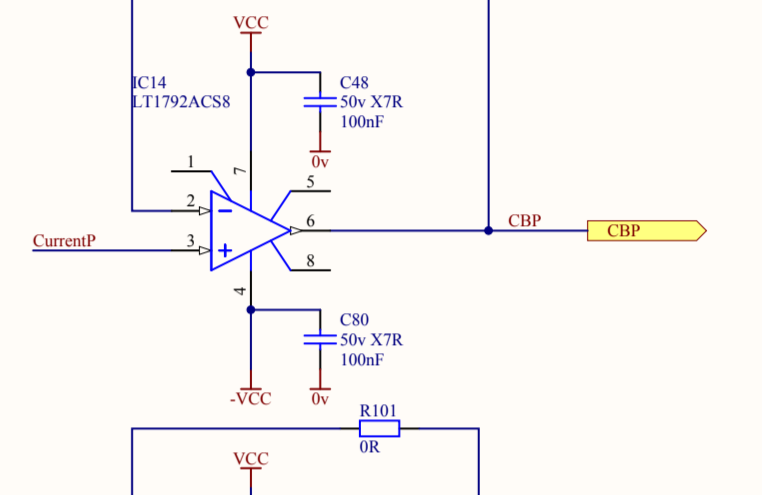
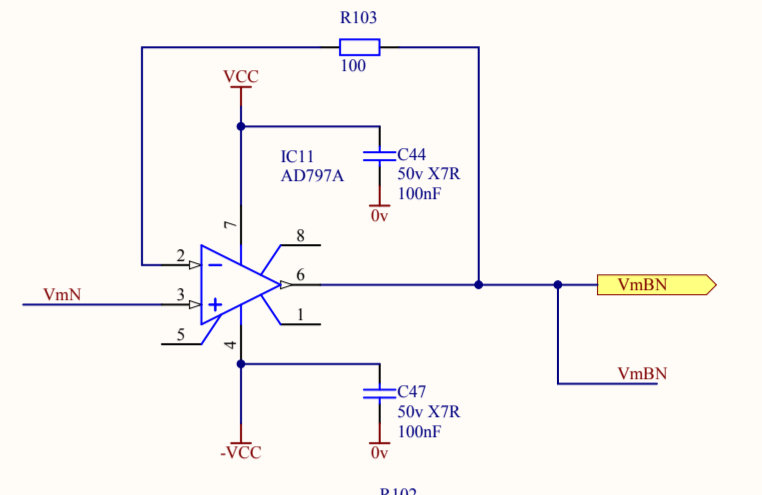
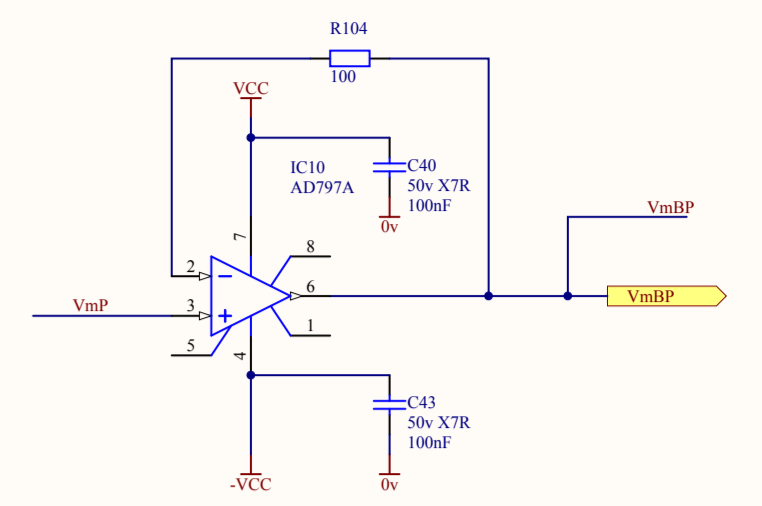
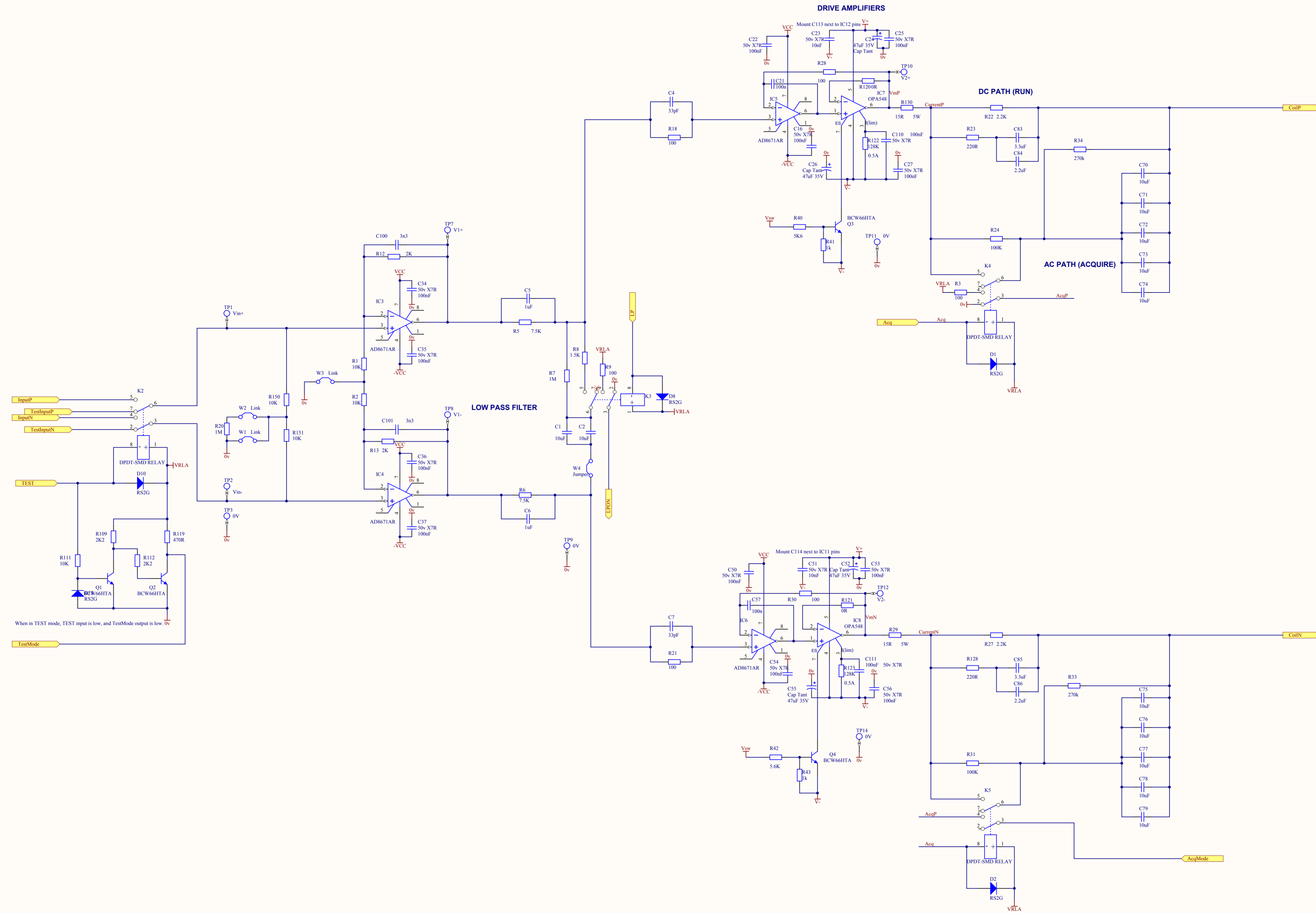
FROM SATELLITE BOX



TO SATELLITE BOX



| Title | | |
|-------|-------------------------------|----------------------|
| Size | Number | Revision |
| C | D070483-06-K | 6 |
| Date: | 30/11/2009 | Sheet 1 of 2 |
| File: | G:\Ron\...PUM Board V6.SchDoc | Drawn By: Ron Cutler |



| | | |
|----------------------------------|-----------------------------|----------------------|
| Title: PUM COIL DRIVE Production | | |
| Size | Number | Revision |
| D | D070483-06-K | 6 |
| Date | 10/11/2009 | Sheet 2 of 2 |
| File | G:\Rom_PUM Driver V6\SchDoc | Drawn By: R.M.Carter |