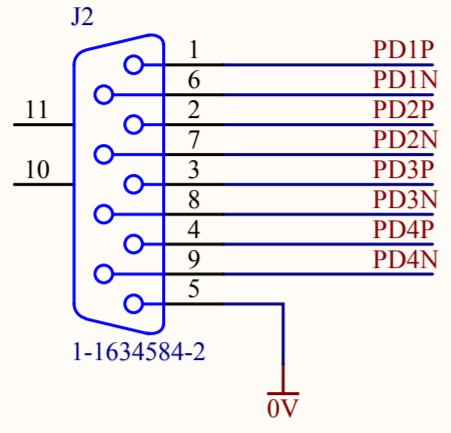
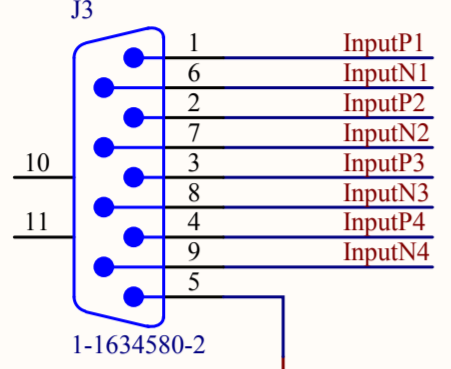


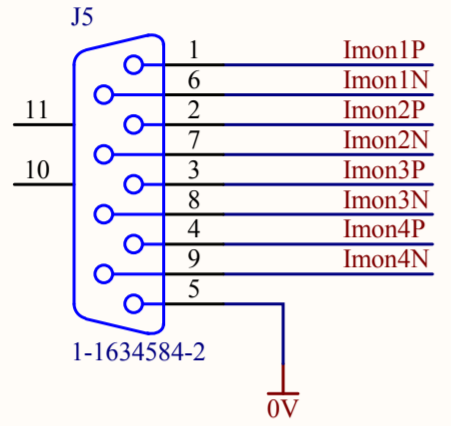
**PHOTODIODE OUTPUTS**



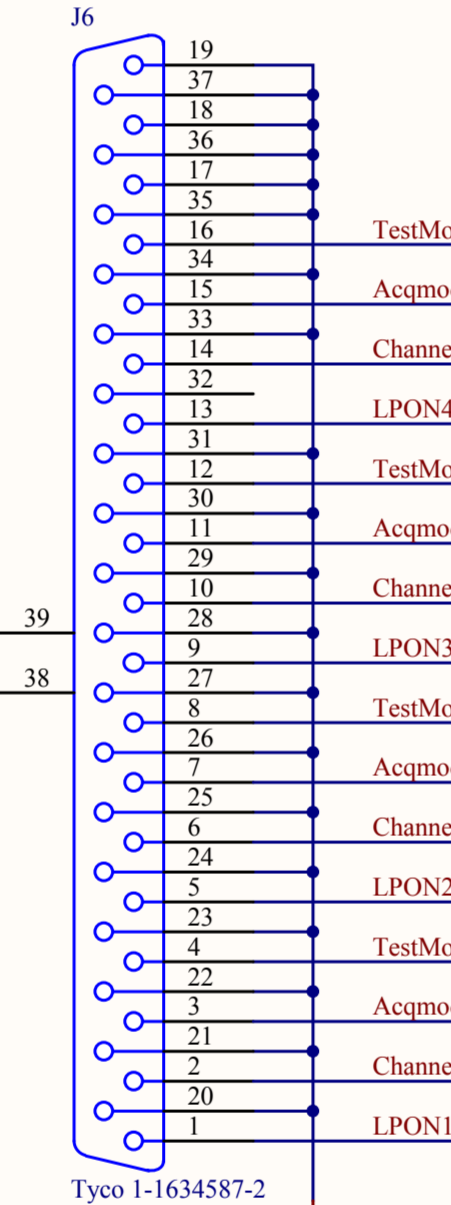
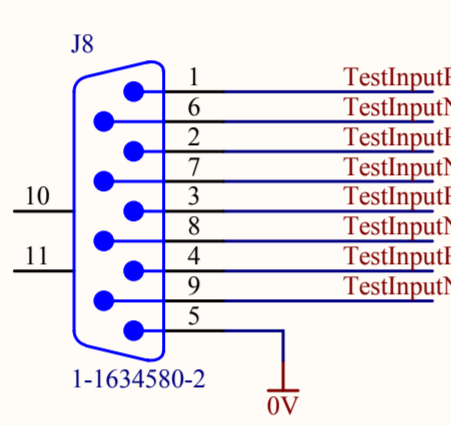
**DEMANDS**



**CURRENT SOURCE MONITORS**

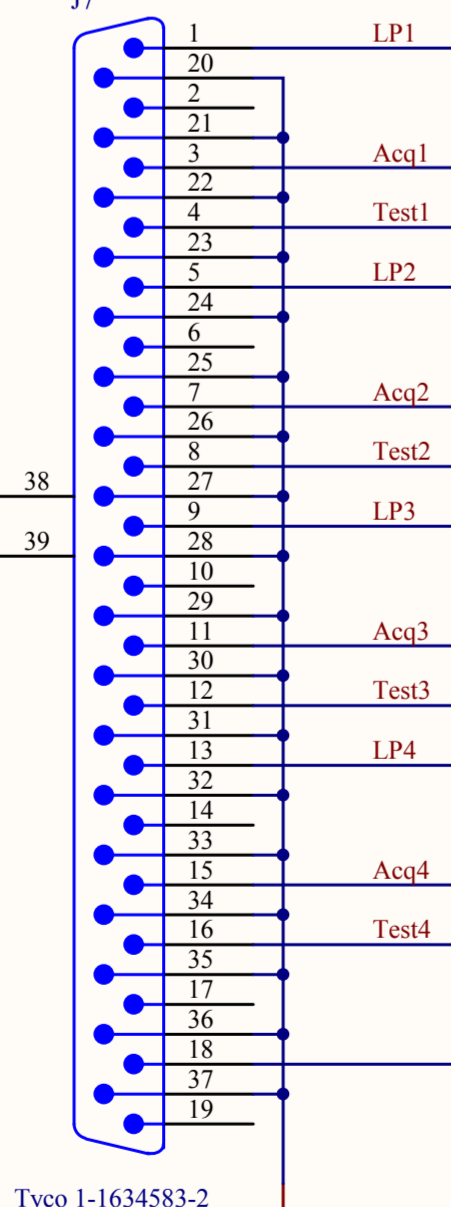


**Front Panel Test Inputs**



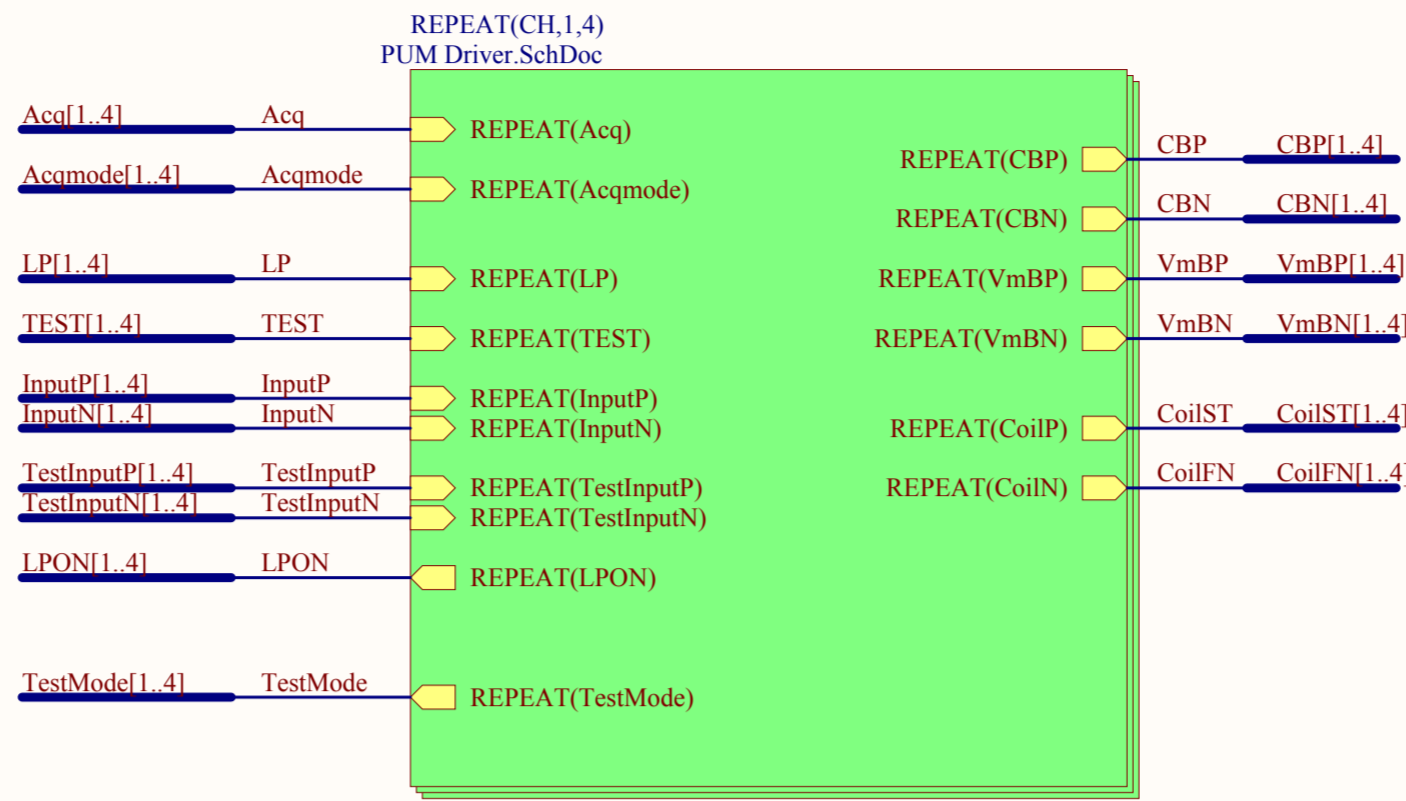
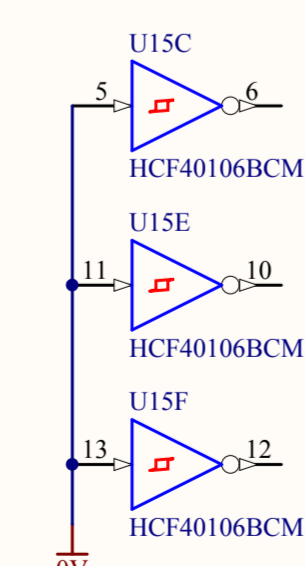
**Relay Monitors**

**D Connector 37 Way Female**

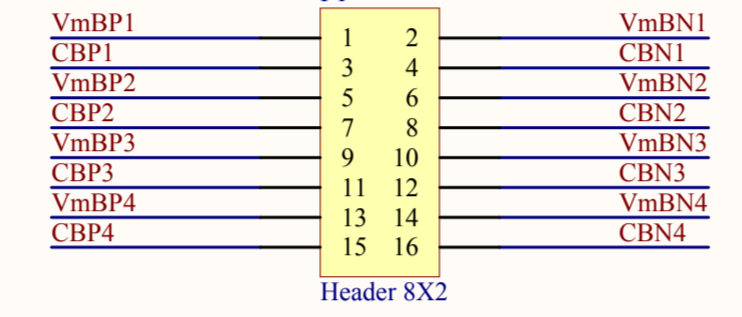


**Relay Commands**

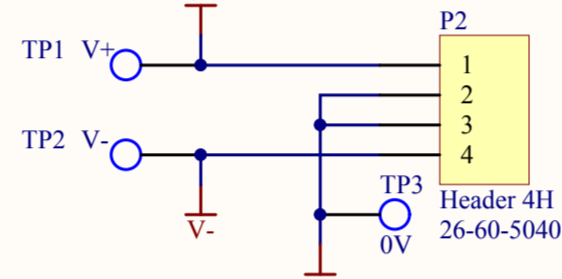
**D Connector 37 Way Male**



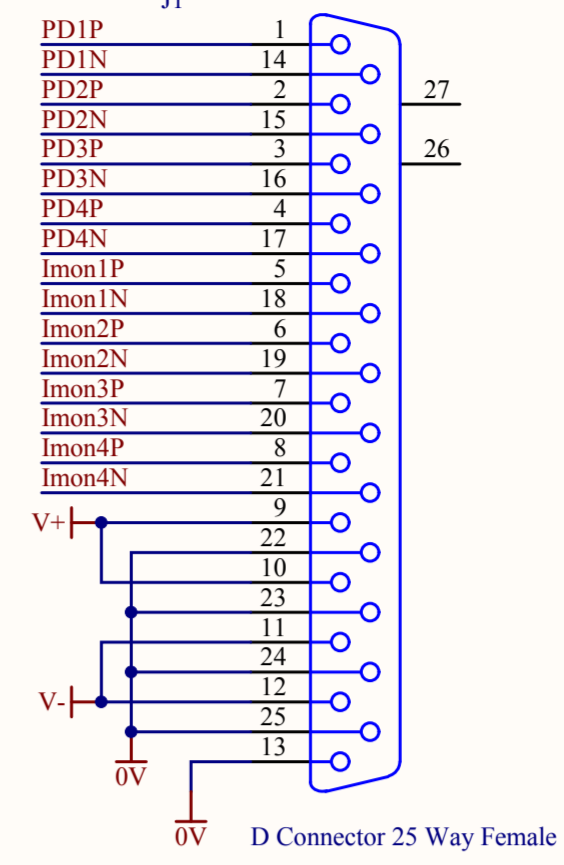
**Connections to Monitor Board**



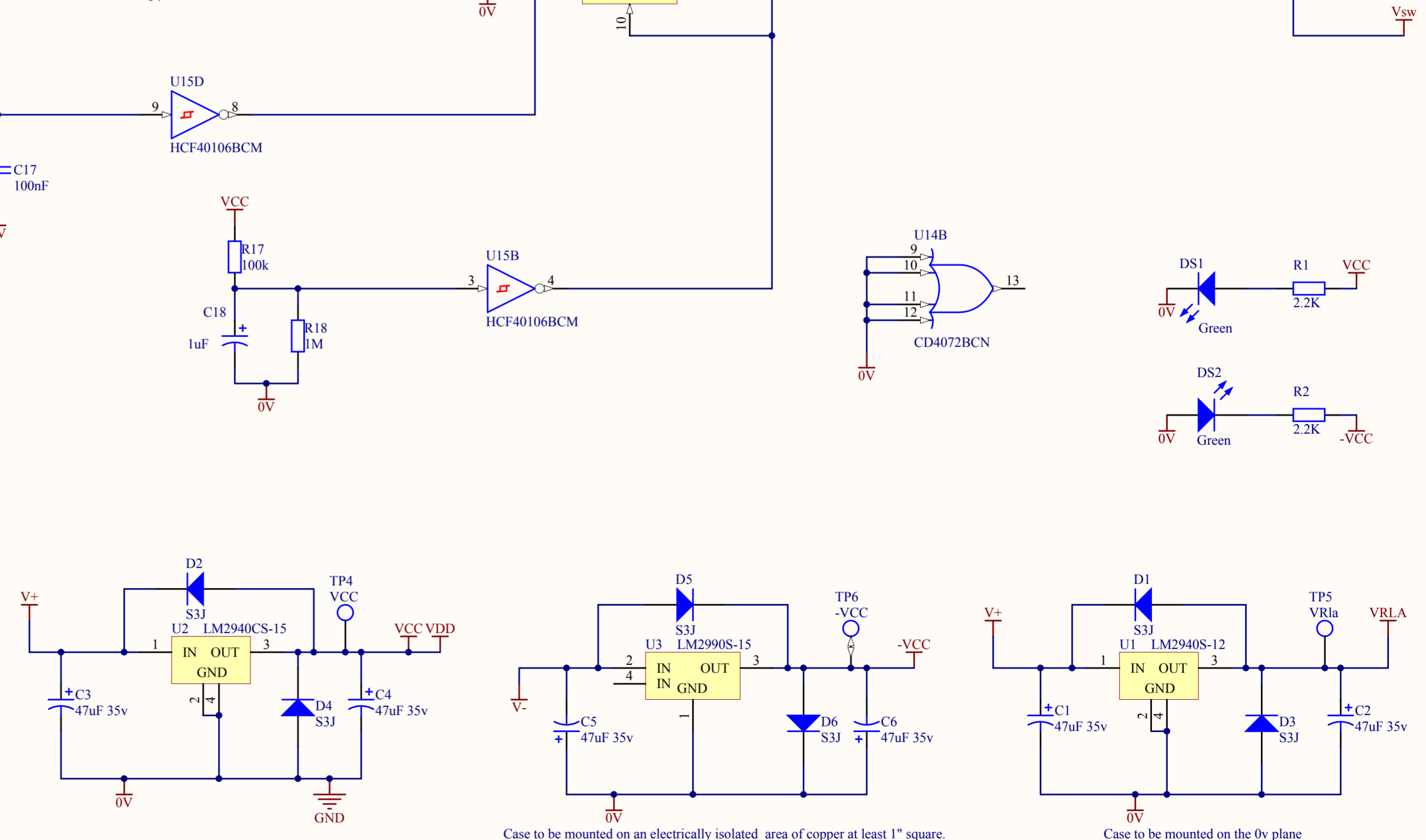
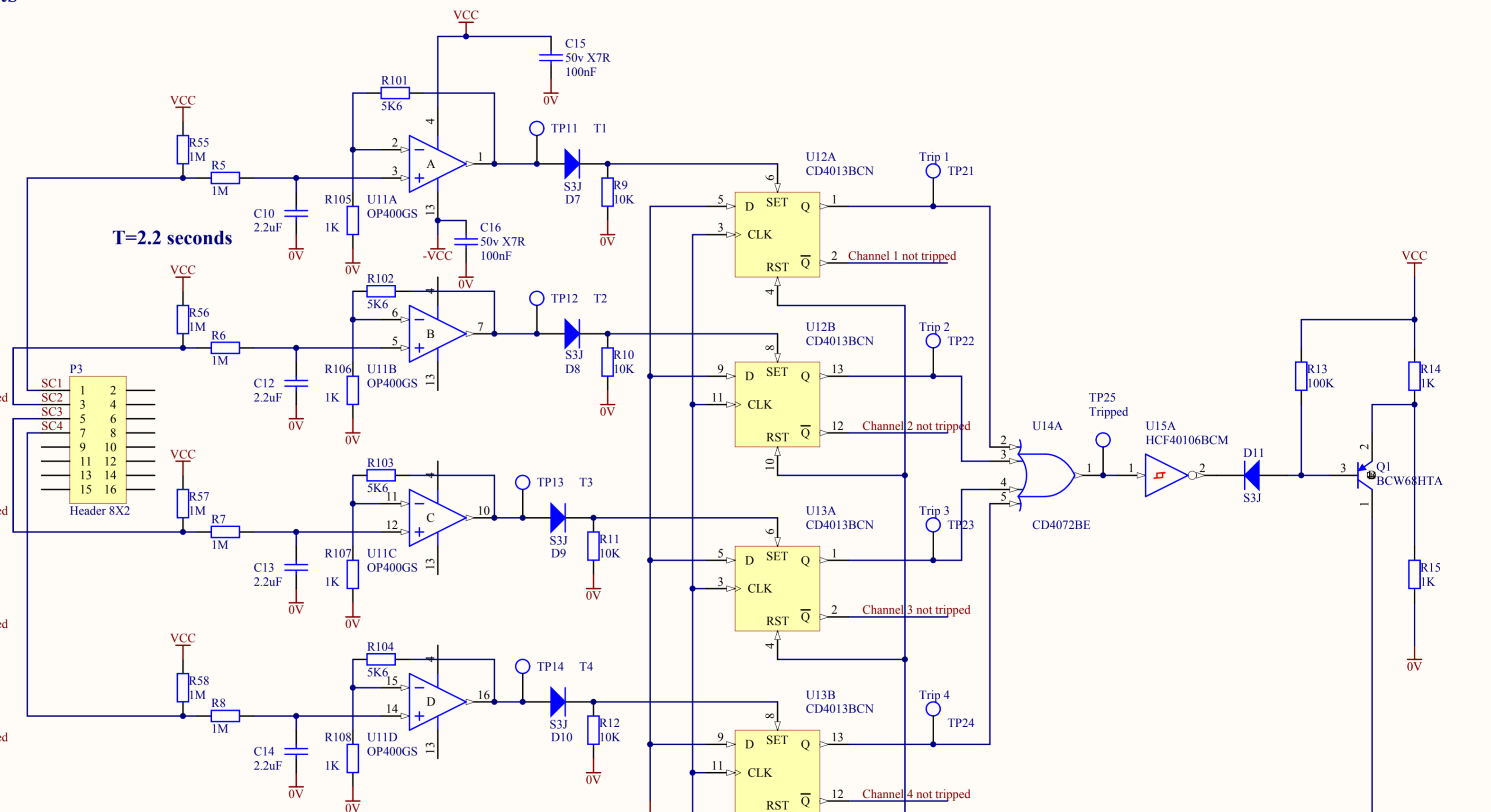
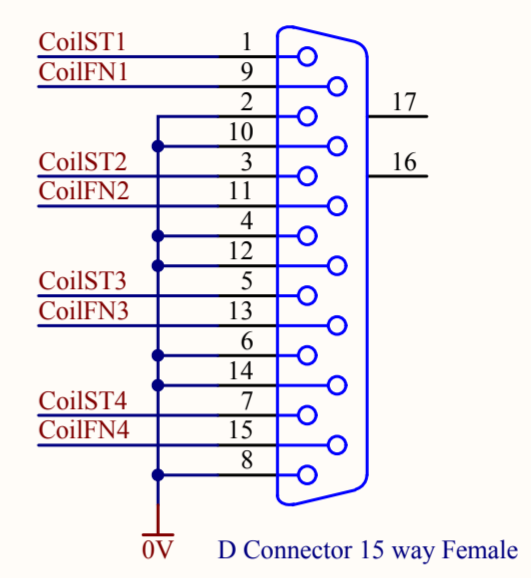
**Power connection to rear panel**



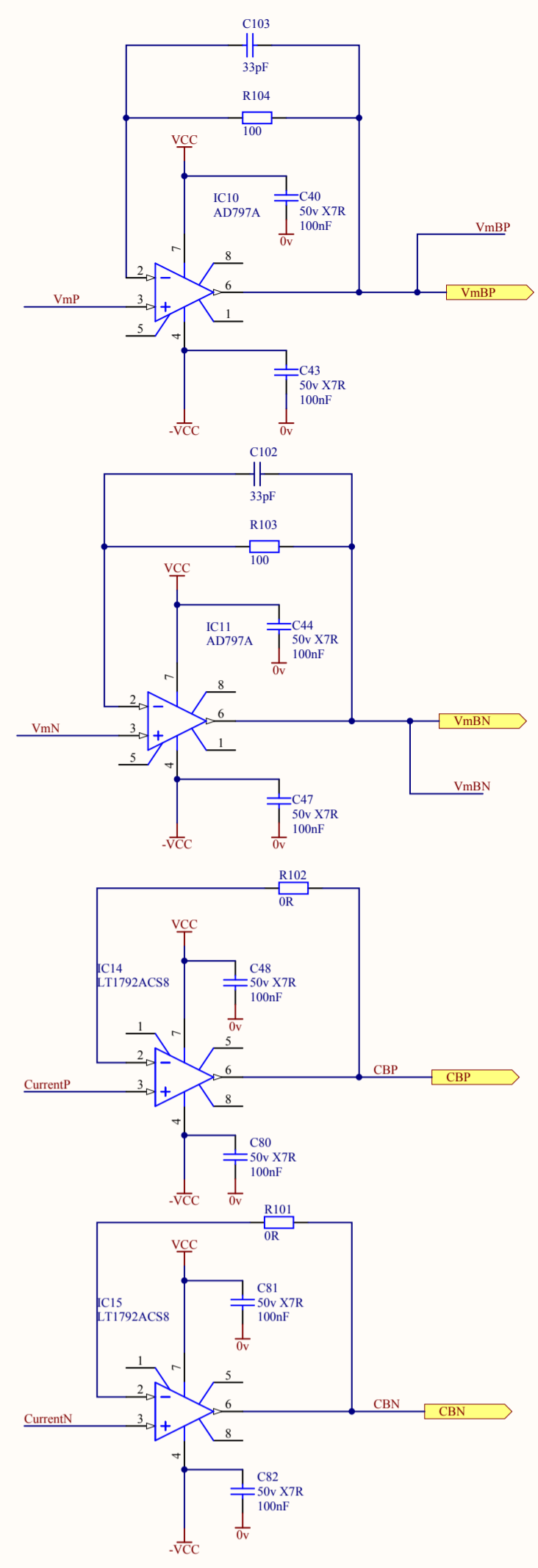
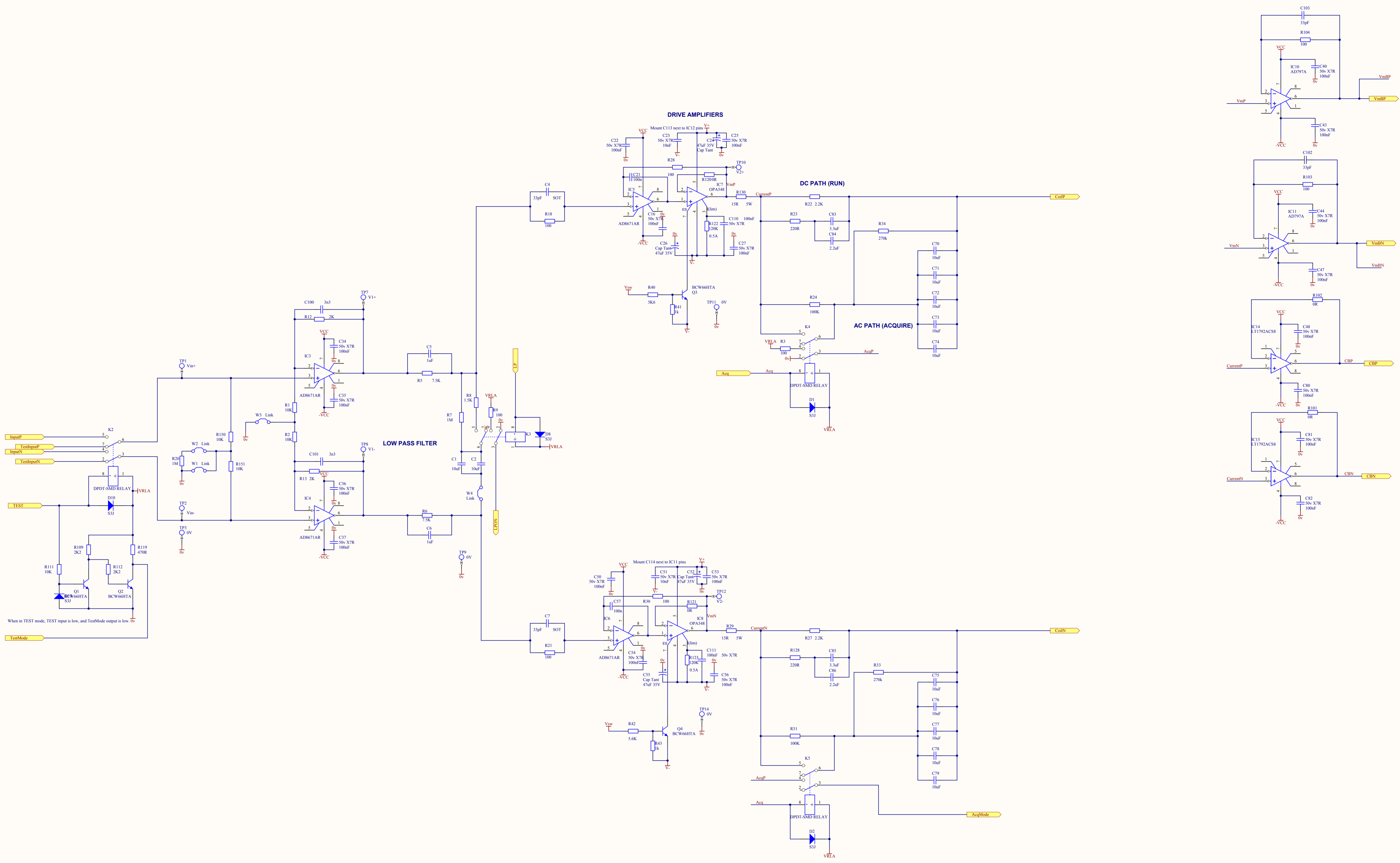
**FROM SATELLITE BOX**



**TO SATELLITE BOX**



Title <b>PUM DRIVER Production</b>		
Size C	Number <b>D070483-05-K</b>	Revision <b>5</b>
Date: 16/03/2011	Sheet 1 of 2	
File: G:\Ron\...PUM Board_v5.SchDoc	Drawn By: Ron Cutler	



Title: PUM COIL DRIVE Production		
Size	Number	Revision
D	D070483-05-K	5
Date:	16/03/2011	Sheet 2 of 2
File:	G:\Rom_PUM Driver_v5\SchDoc	Drawn By: R.M.Carter