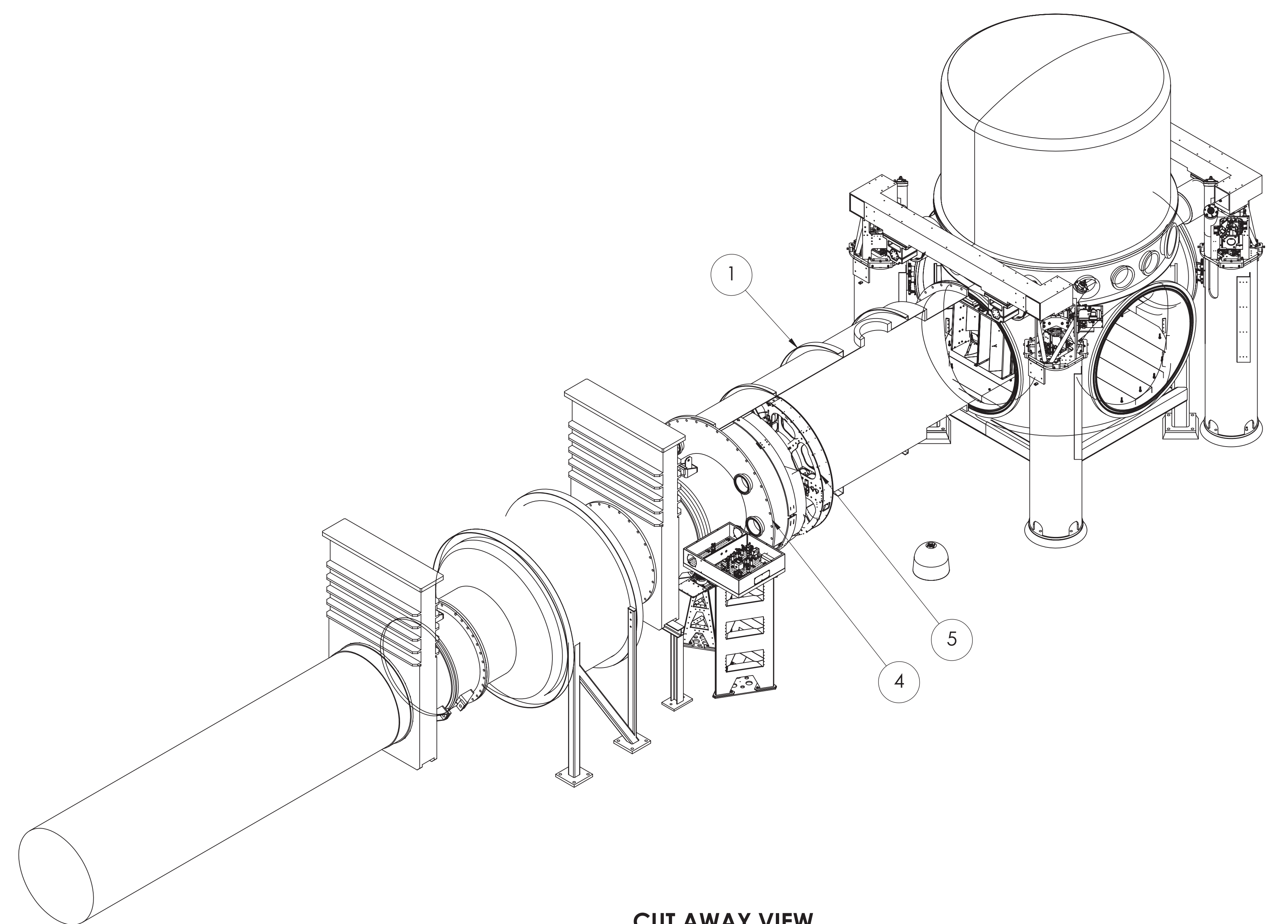
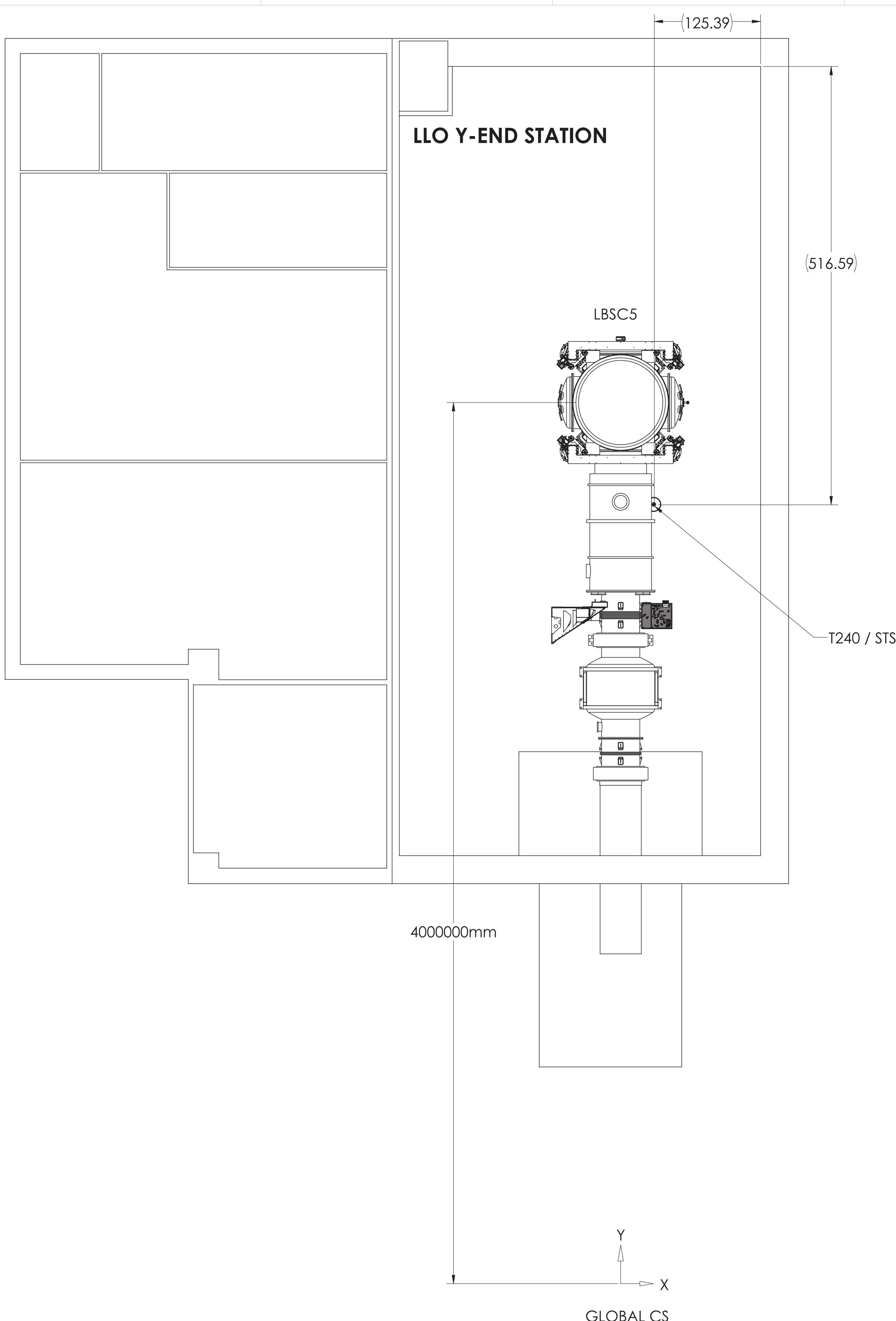
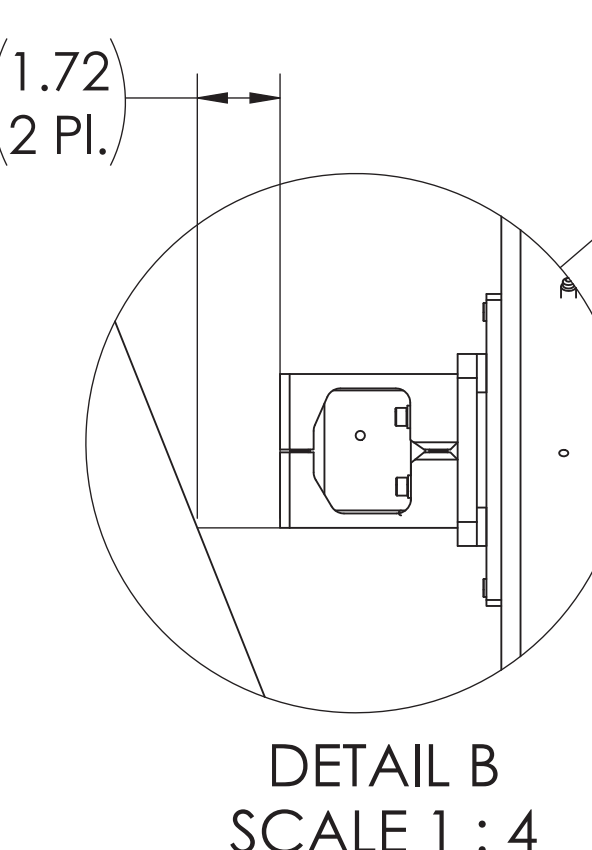
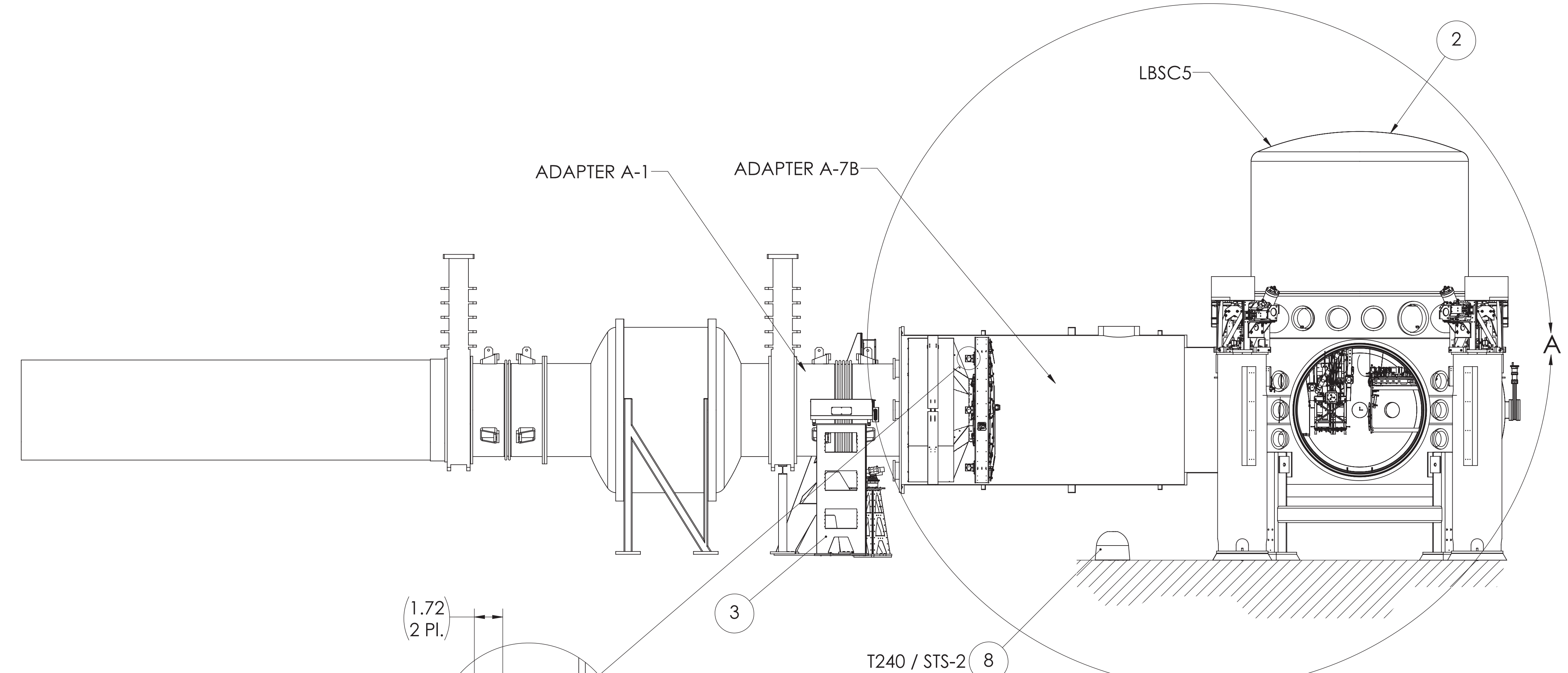


REV.	DATE	DCN #	DRAWING TREE #
V3	18 OCT 2012	-	-
v8	16 NOV 2018	-	-
-	-	-	-



CUT AWAY VIEW



DETAIL B  
SCALE 1 : 4

LIST OF SUSPENSION	
LLO - L1	OPTIC(s)
BSC5	ETMY

- 1) REFER TO LIGO D1201550 FOR aLIGO, CARTRIDGE & CLEAN ROOM LAYOUT.
- 2) ALL ITEMS SHOWN FOR VISUAL PURPOSES ONLY. PLEASE REFER TO P/N LISTED IN THE BOM FOR DETAILS.
- 3) FOR RACK, CABLE TRAY LAYOUT AND EXTERNAL OPTIC TABLE REFER TO D1201231

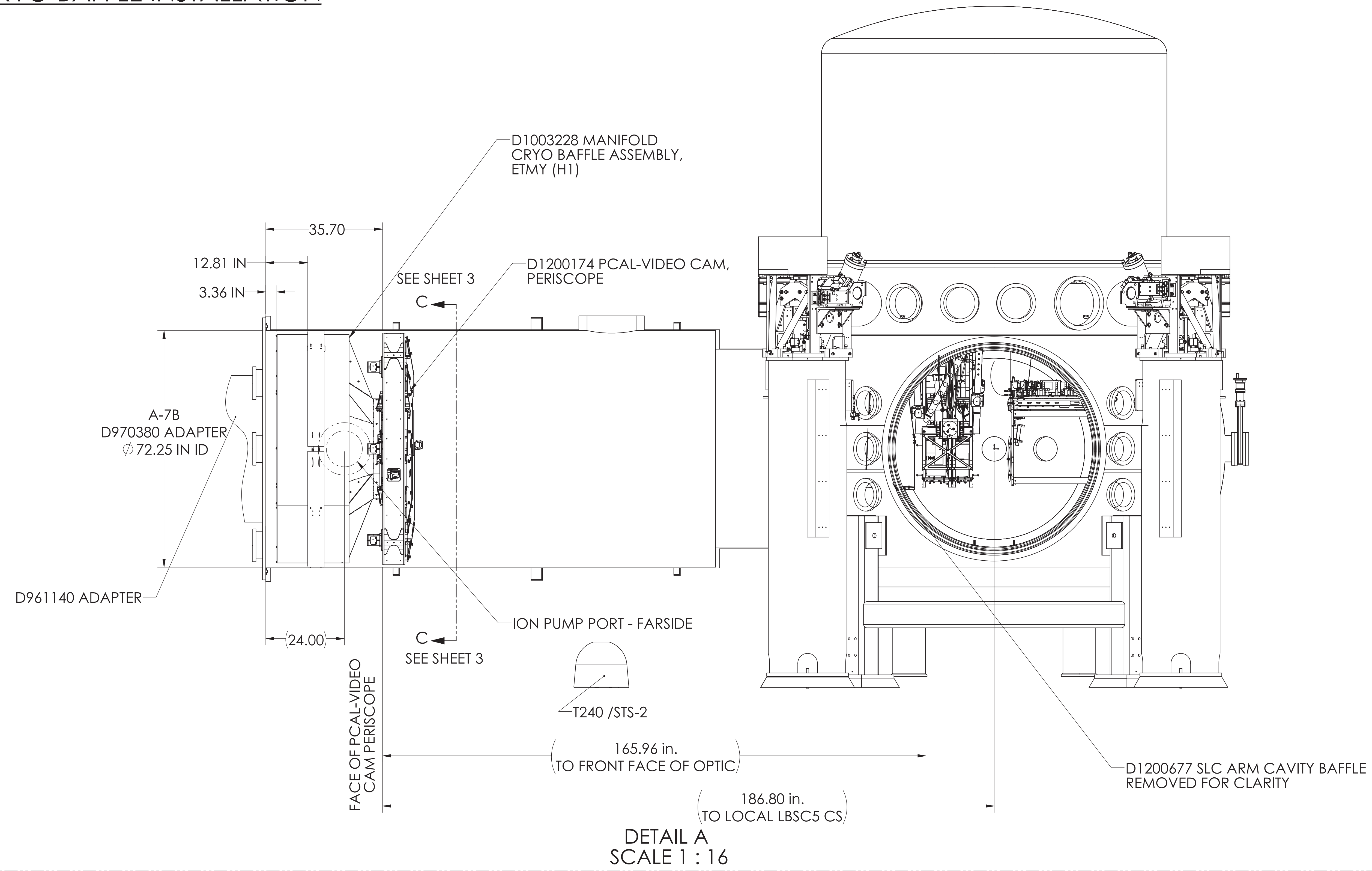
ITEM NO.	PART NUMBER	DESCRIPTION	QTY.
8	TRILLIUM 240 OR EQ.	SEISMOMETER	1
7	G1000702	Floor Occupancy, OpLev & PCal, LLO Y-End Station	1
6	D1000375	aLIGO AOS Fully Detailed & Envelope for OpLev & Pcal Installations (ETMY- LHO, LLO)	1
5	D1200174-01	aLIGO, PCAL-VIDEO CAM, PERISCOPE, Y-ARM	1
4	D1003228	MANIFOLD CRYO BAFFLE ASSY, ETM Y	1
3	D100676-02	aLIGO, PCAL-VIDEO CAM, PERISCOPE	1
2	D0900506	AdvLIGO Systems BSC5-L1, Top Level Chamber Assembly	1
1	D0901861	aLIGO Vacuum Equipment Layout, LLO Y-End Station	1

ITEM NO. 8 IS A TEMPORARY REPLACEMENT FOR STS-2

NOT SHOWN

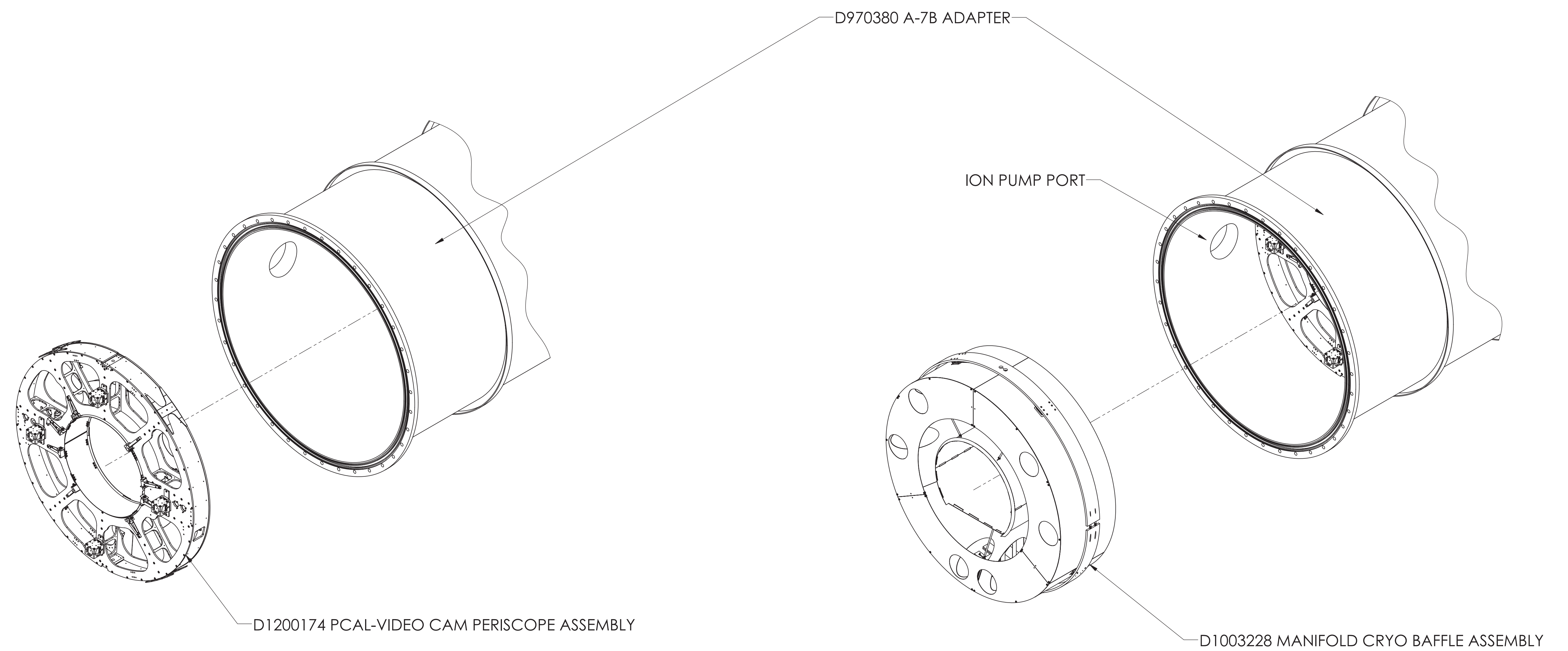
DIMENSIONS ARE IN INCHES		NOTES AND TOLERANCES: (UNLESS OTHERWISE SPECIFIED)		CALIFORNIA INSTITUTE OF TECHNOLOGY MASSACHUSETTS INSTITUTE OF TECHNOLOGY		PART NAME	
MATERIAL		FINISH		SYSTEM		SUB-SYSTEM	
--		-- μinch		ADVANCED LIGO		SUS	
NEXT ASSY		D0901464		DESIGNER		SIZE DWG. NO.	
APPROVAL		SEE DCC		K. BUCKLAND		E D0901464	
SEE DCC		SEE DCC		18 OCT 2012		REV.	
SCALE: 1:32		PROJECTION:		SHEET 1 OF 7		v8	

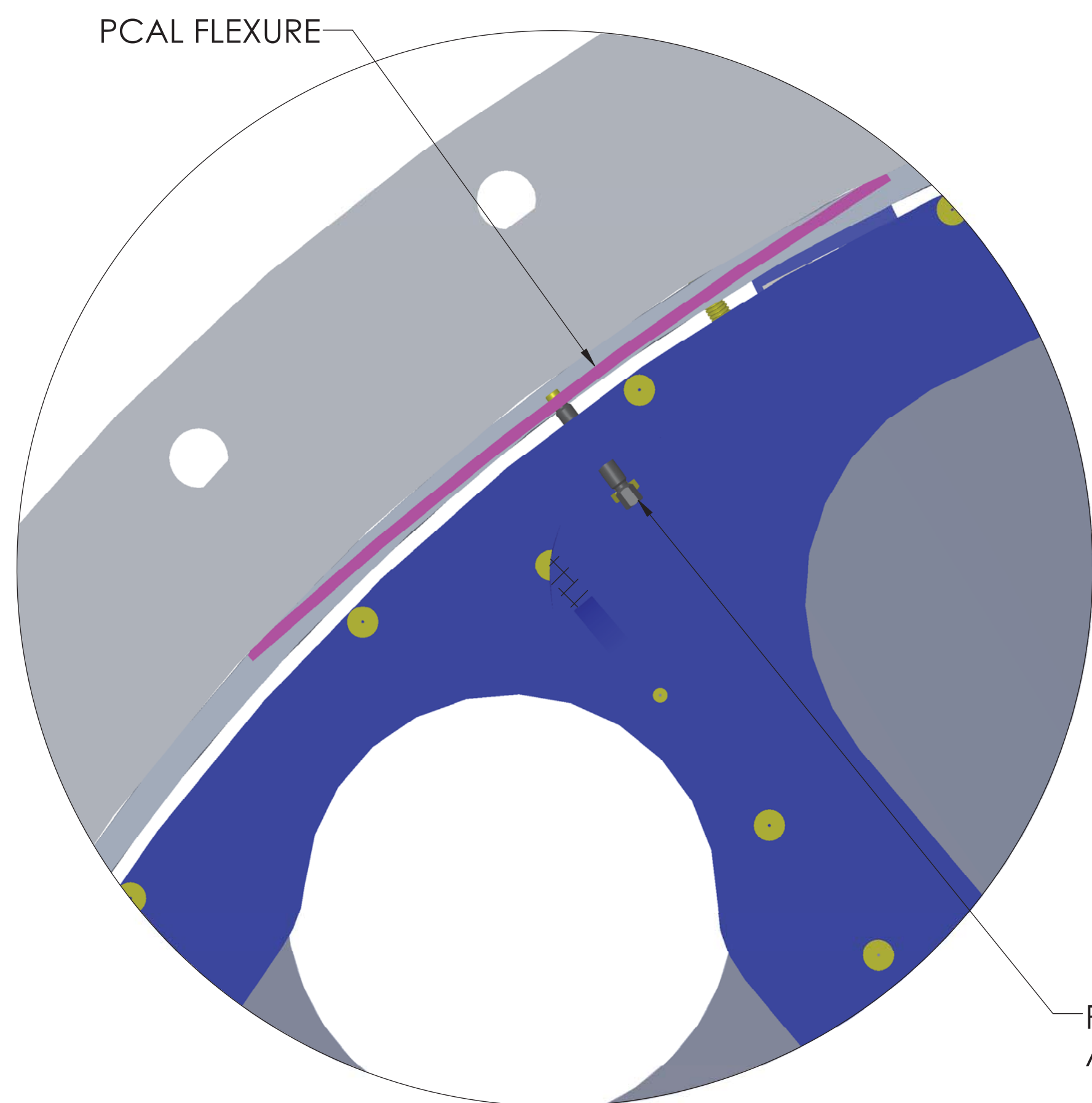
# PCAL & MANIFOLD CRYO BAFFLE INSTALLATION



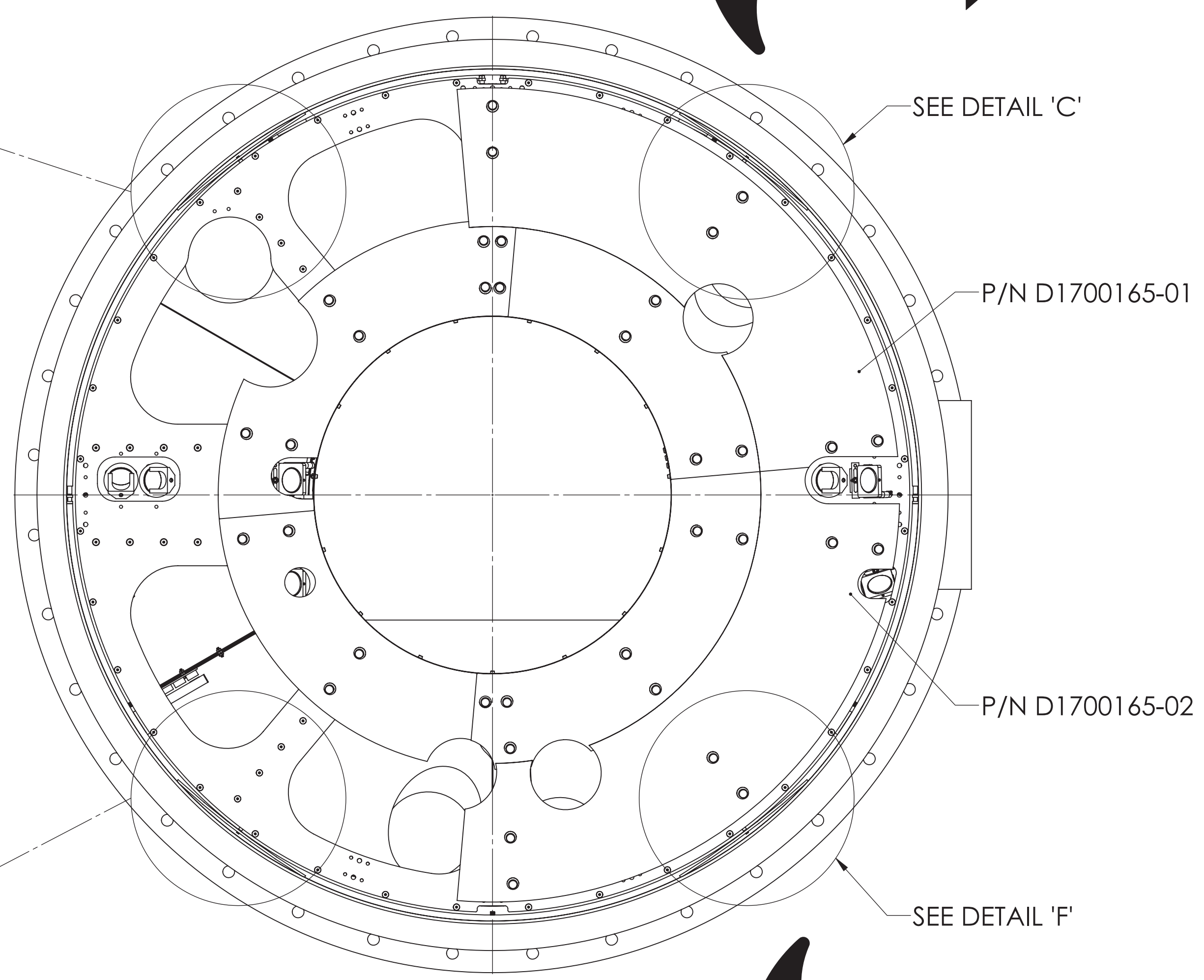
## GENERAL PCAL-VIDEO CAM PERISCOPE & MANIFOLD CRYO BAFFLE INSTALLATION INSTRUCTIONS:

1. REMOVE D961140 A-1 ADAPTER.
2. INSTALL D1200174 PCAL ASSEMBLY INTO D970380 A-7B ADAPTER
3. INSTALL D1003228 MANIFOLD CRYO BAFFLE ASSEMBLY INTO D970380 A-7B ADAPTER

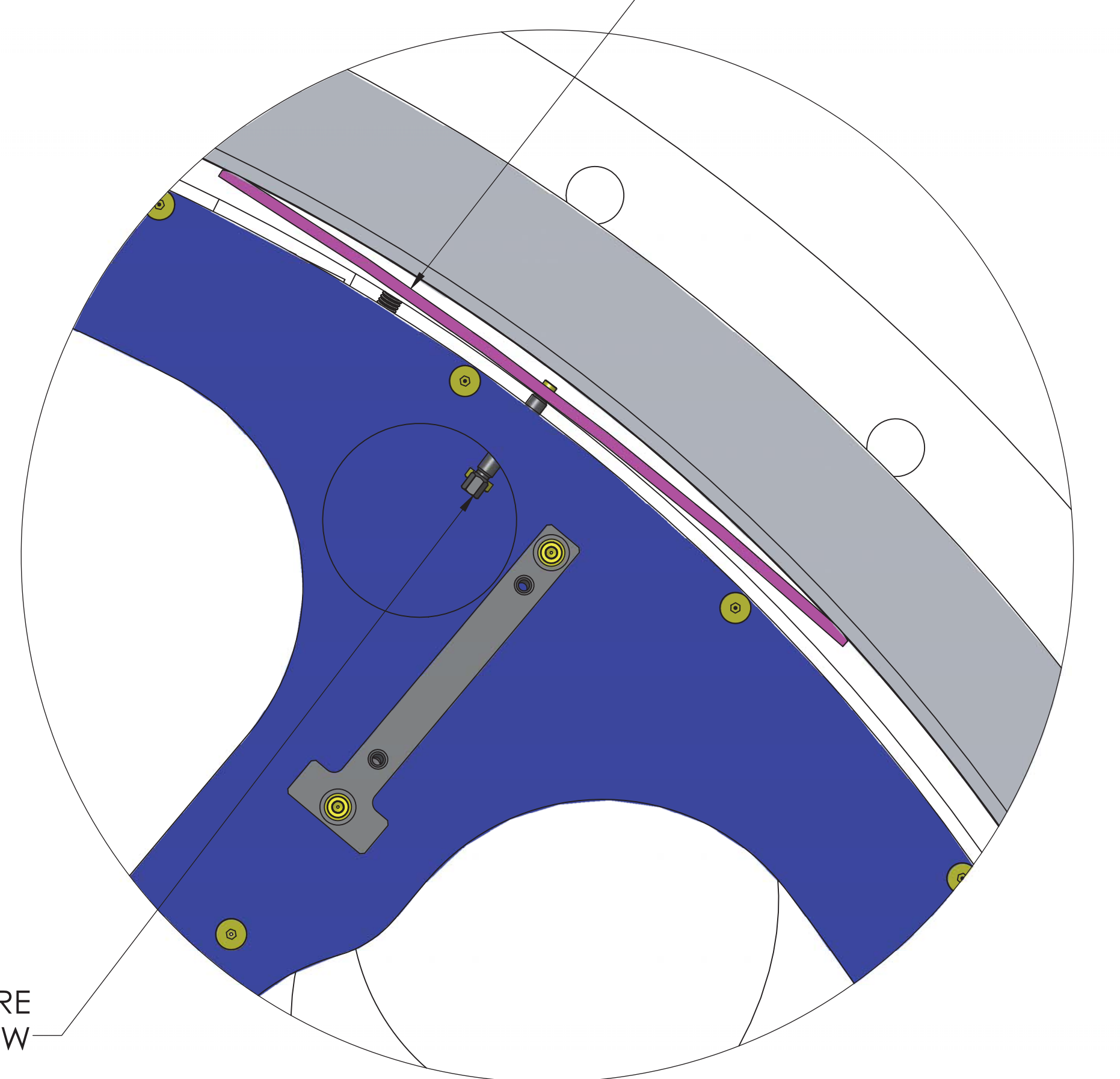
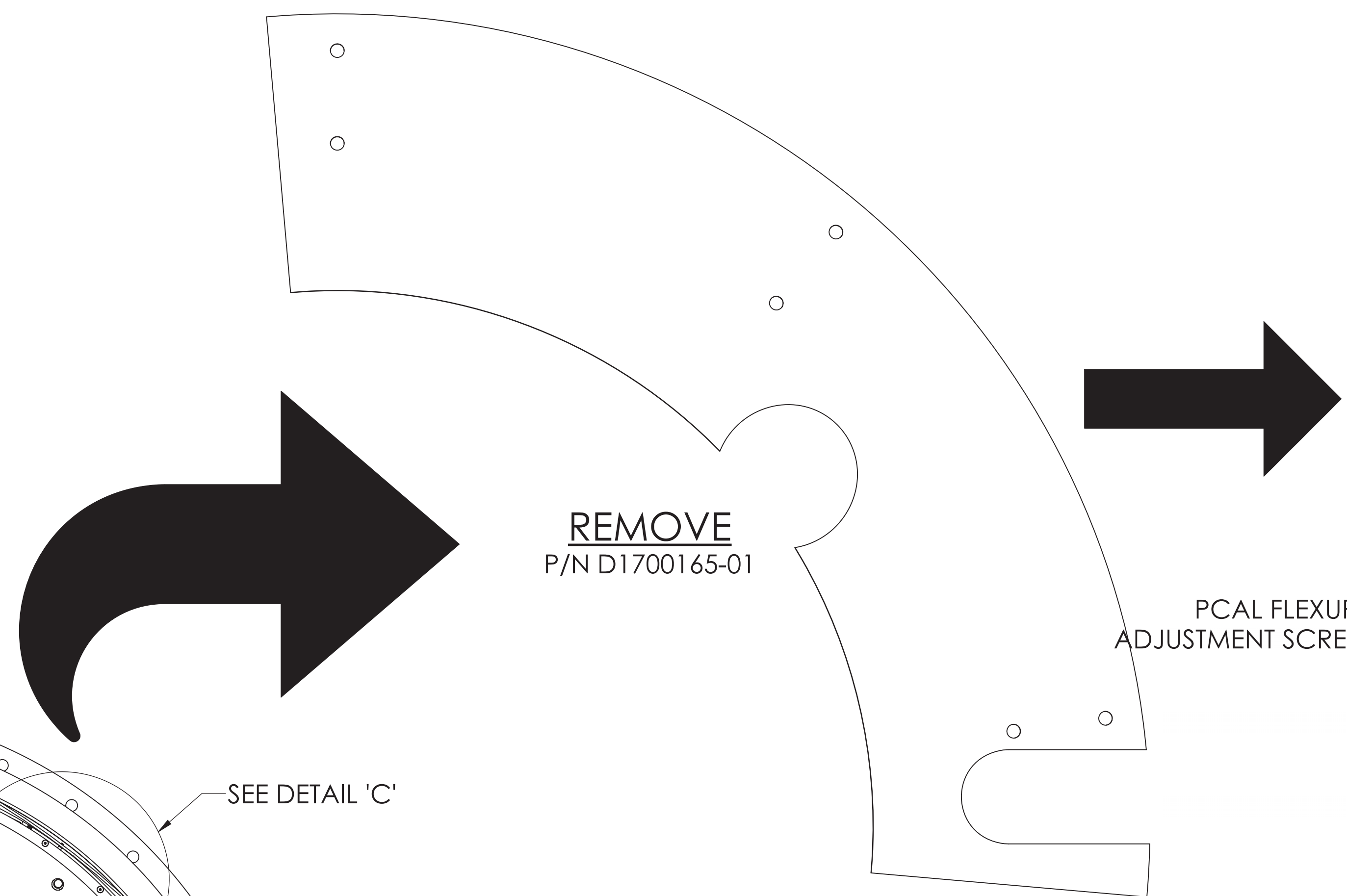




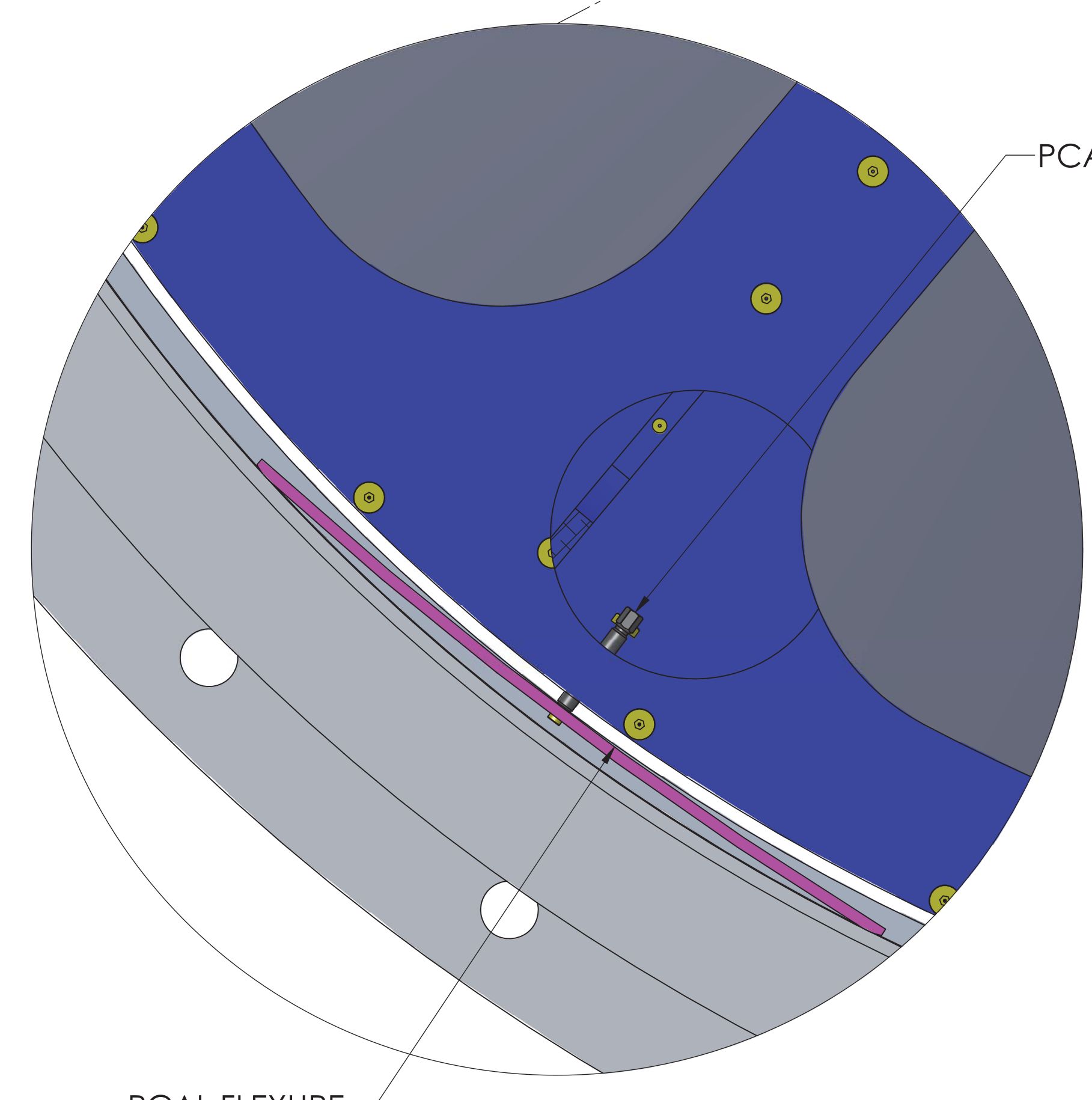
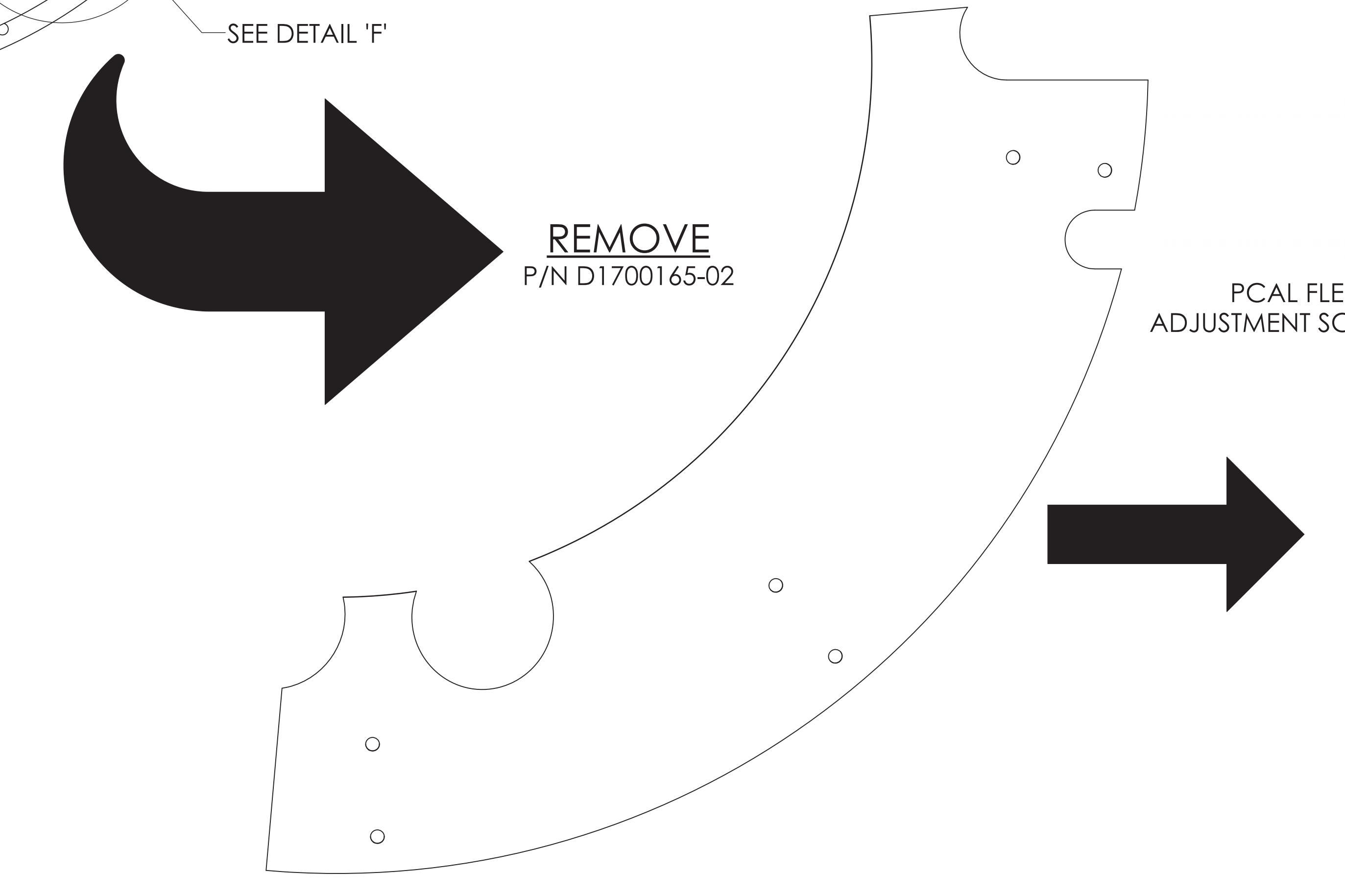
DETAIL 'D'  
SCALE 1:2



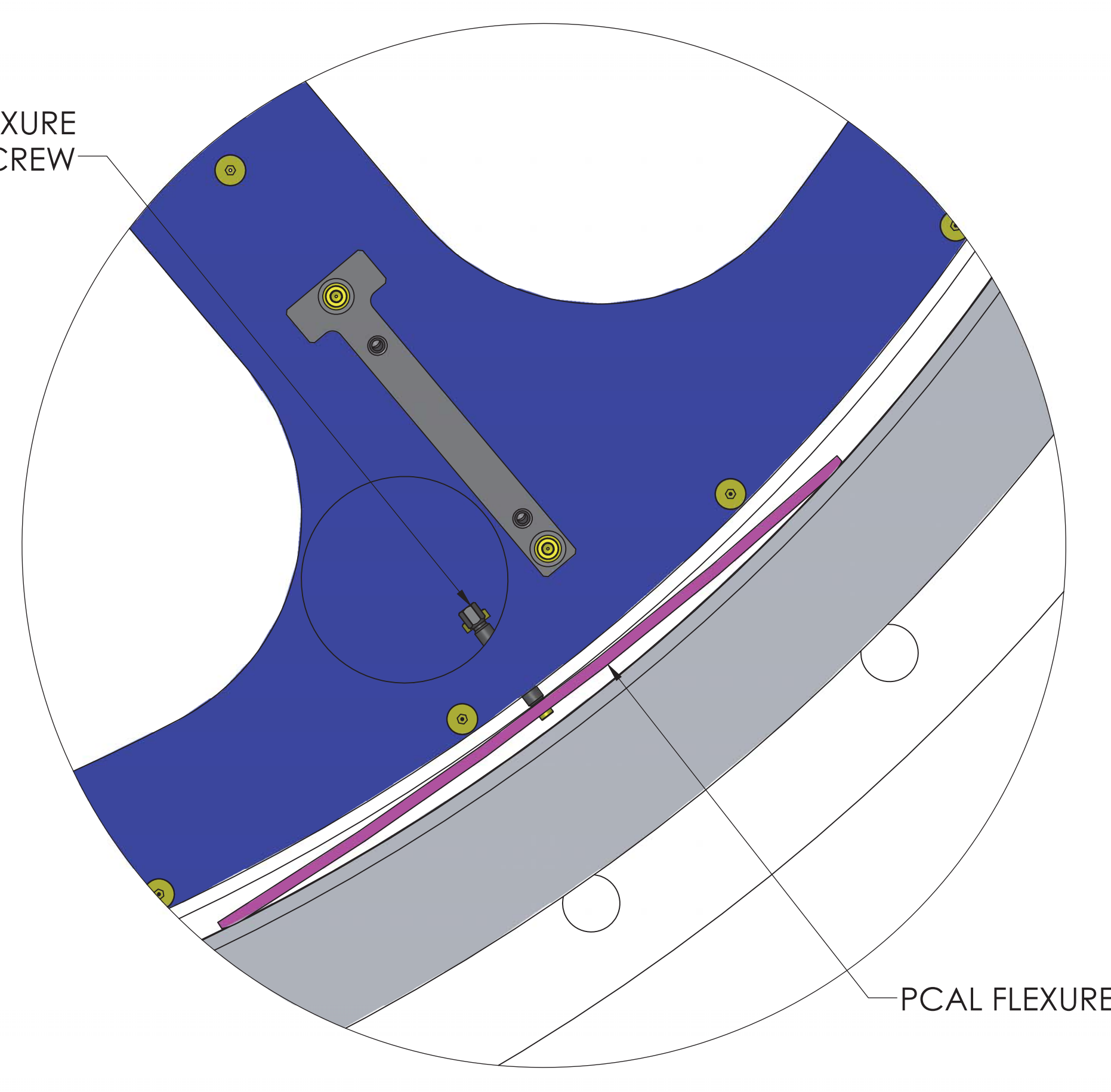
VIEW C-C



DETAIL 'E'  
SCALE 1:2



PCAL FLEXURE



PCAL FLEXURE

**PCAL PERISCOPE FLEXURE ACCESS**

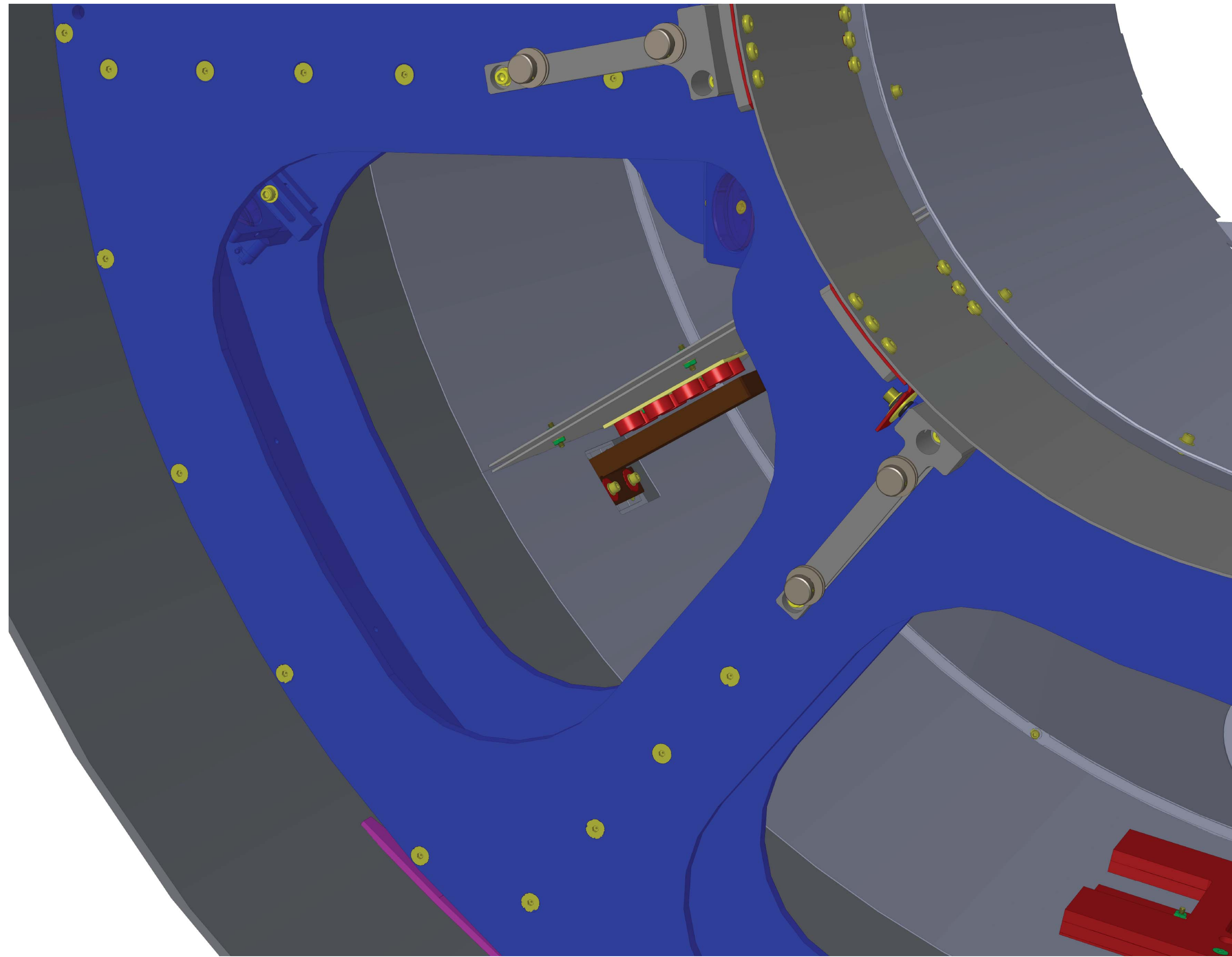
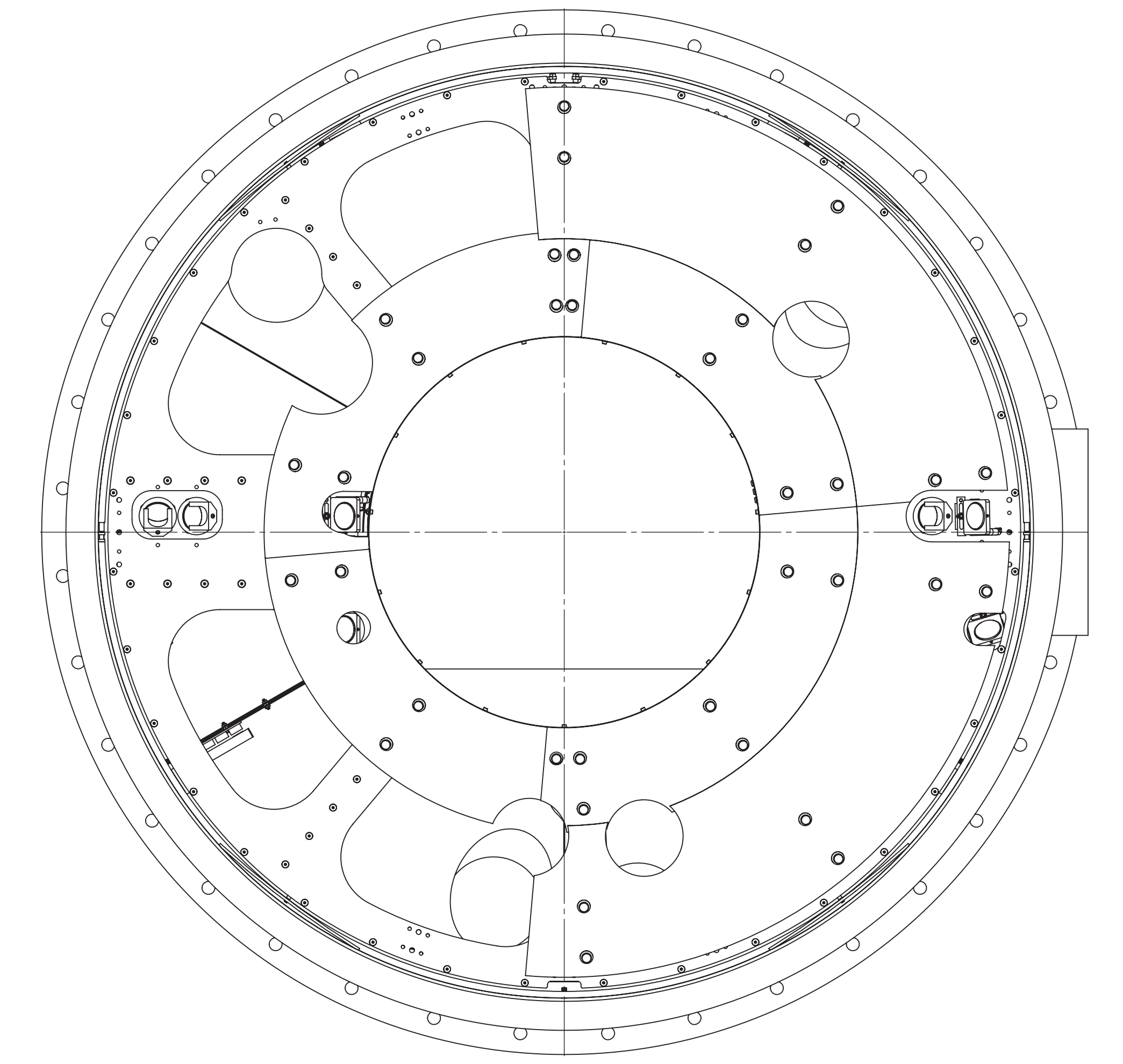
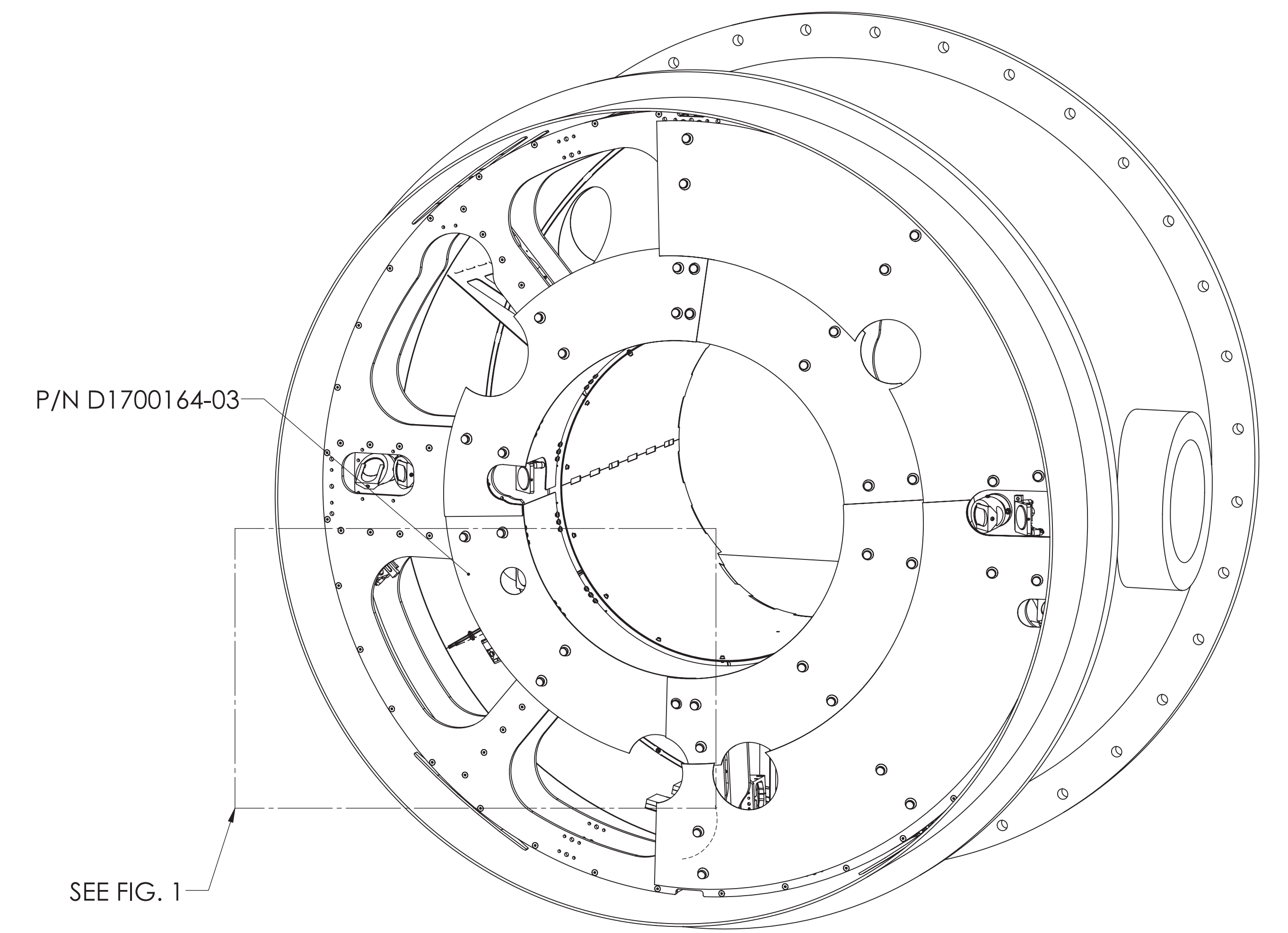


FIG. 1: CRYOPUMP BAFFLE LOWER MAGNET PLATE ACCESS



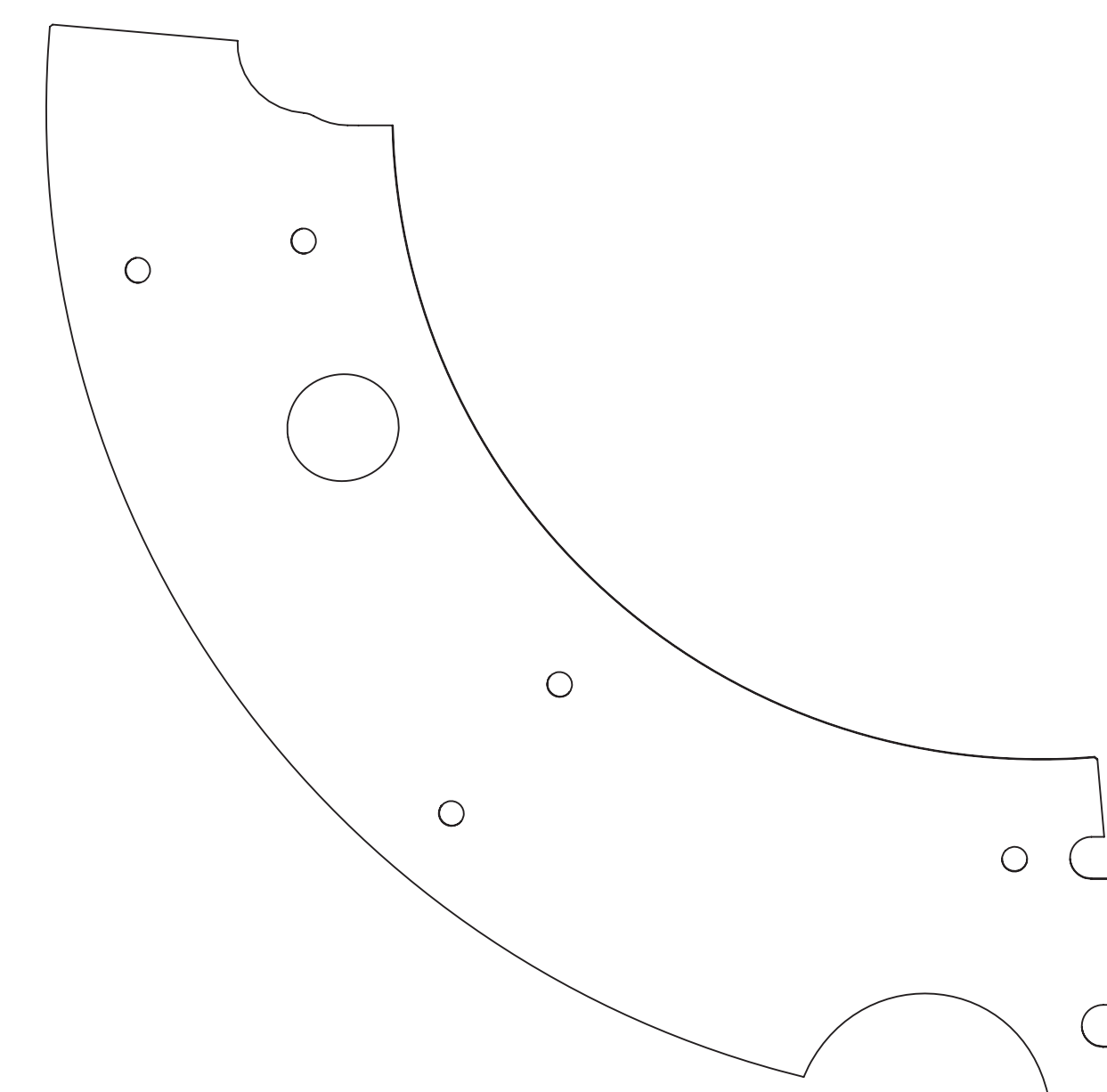
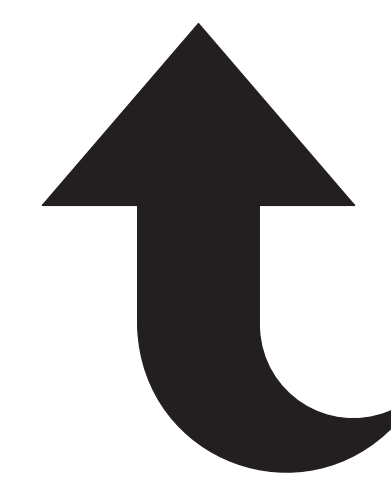
VIEW C-C



P/N D1700164-03

SEE FIG. 1

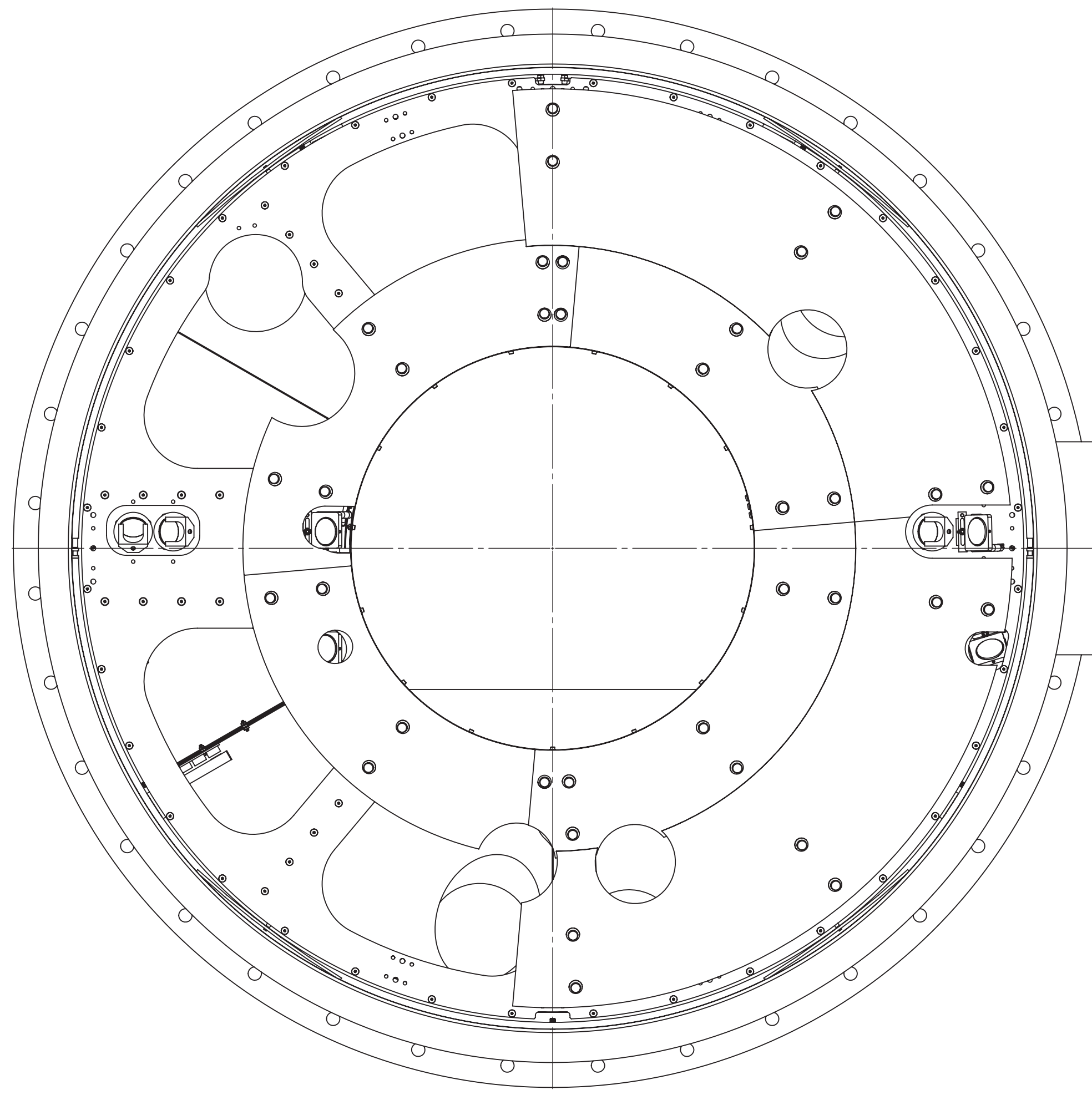
ISO VIEW, BOTTOM LEFT



REMOVE  
P/N D1700164-03

CRYOPUMP BAFFLE LOWER MAGNET BRACKET ACCESS

# CRYOPUMP BAFFLE LOWER MAGNET BRACKET ACCESS



VIEW C-C

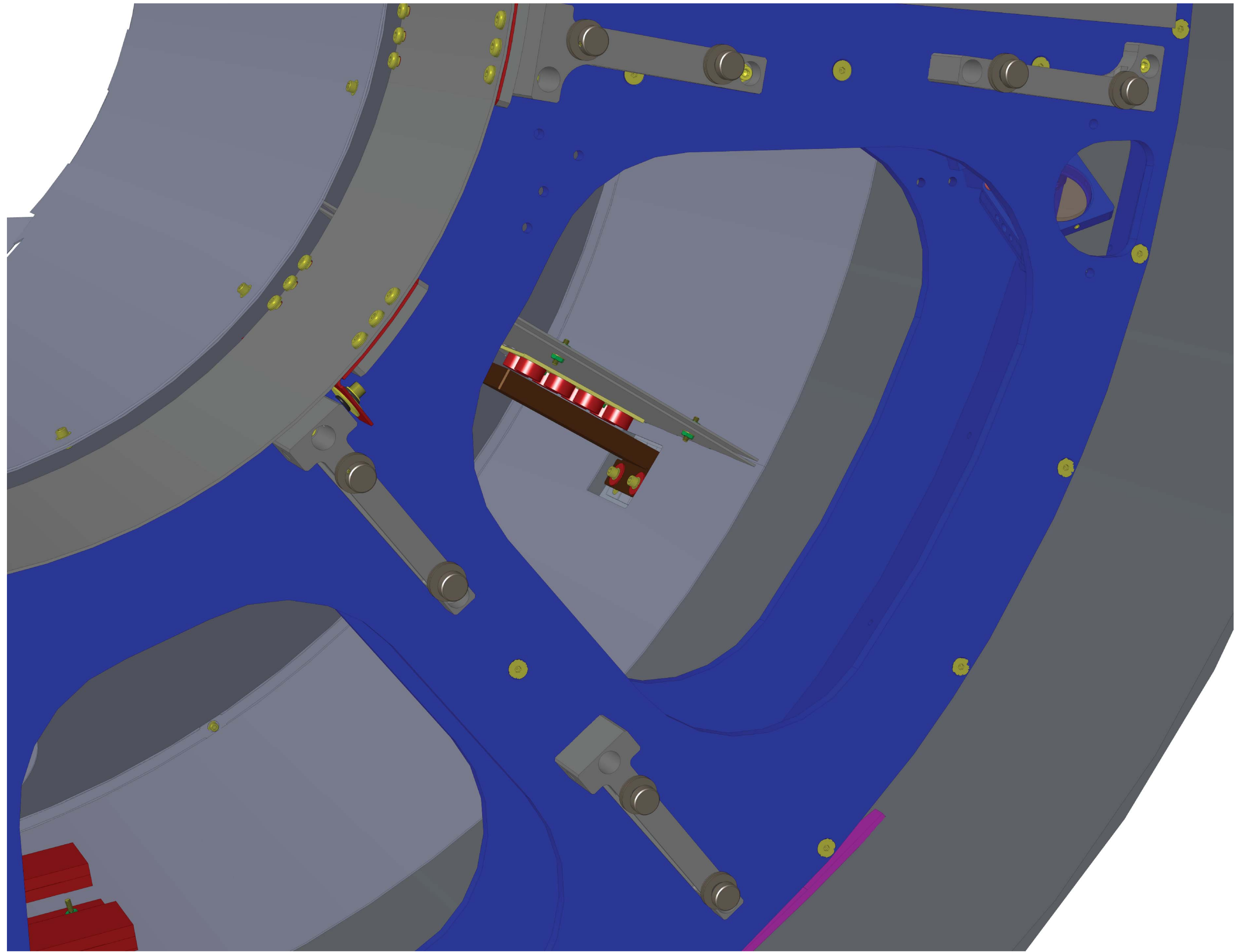
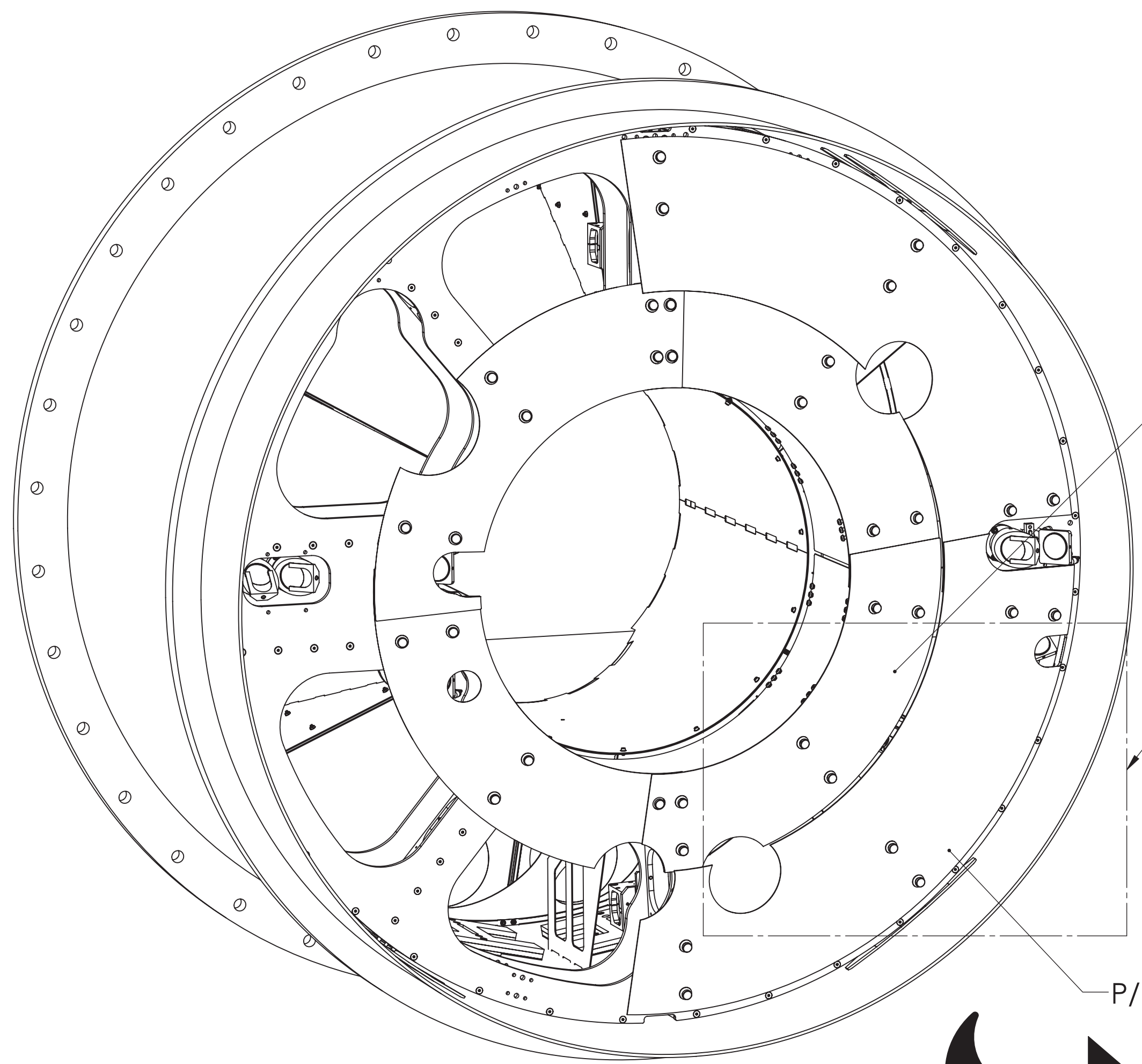
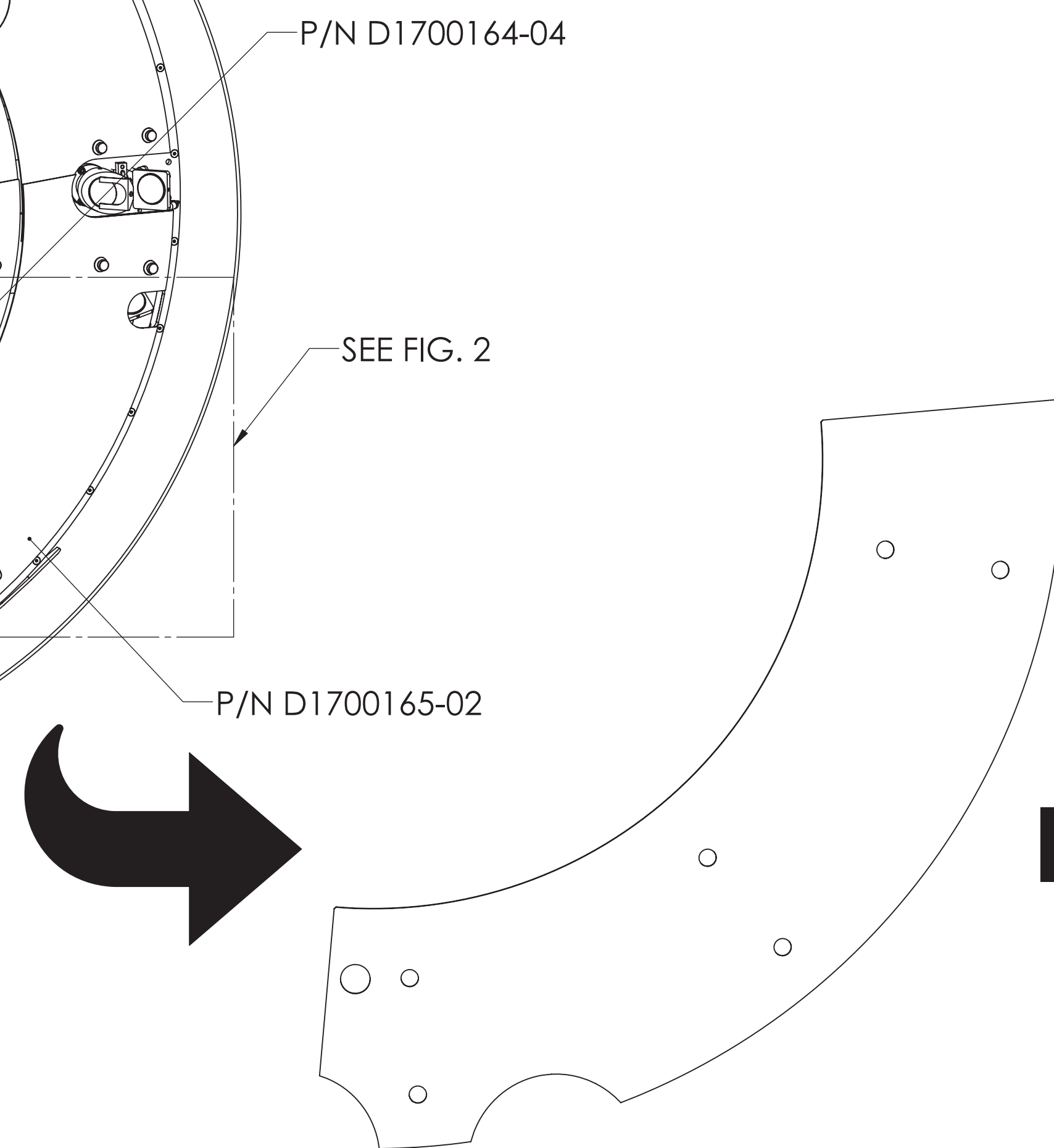


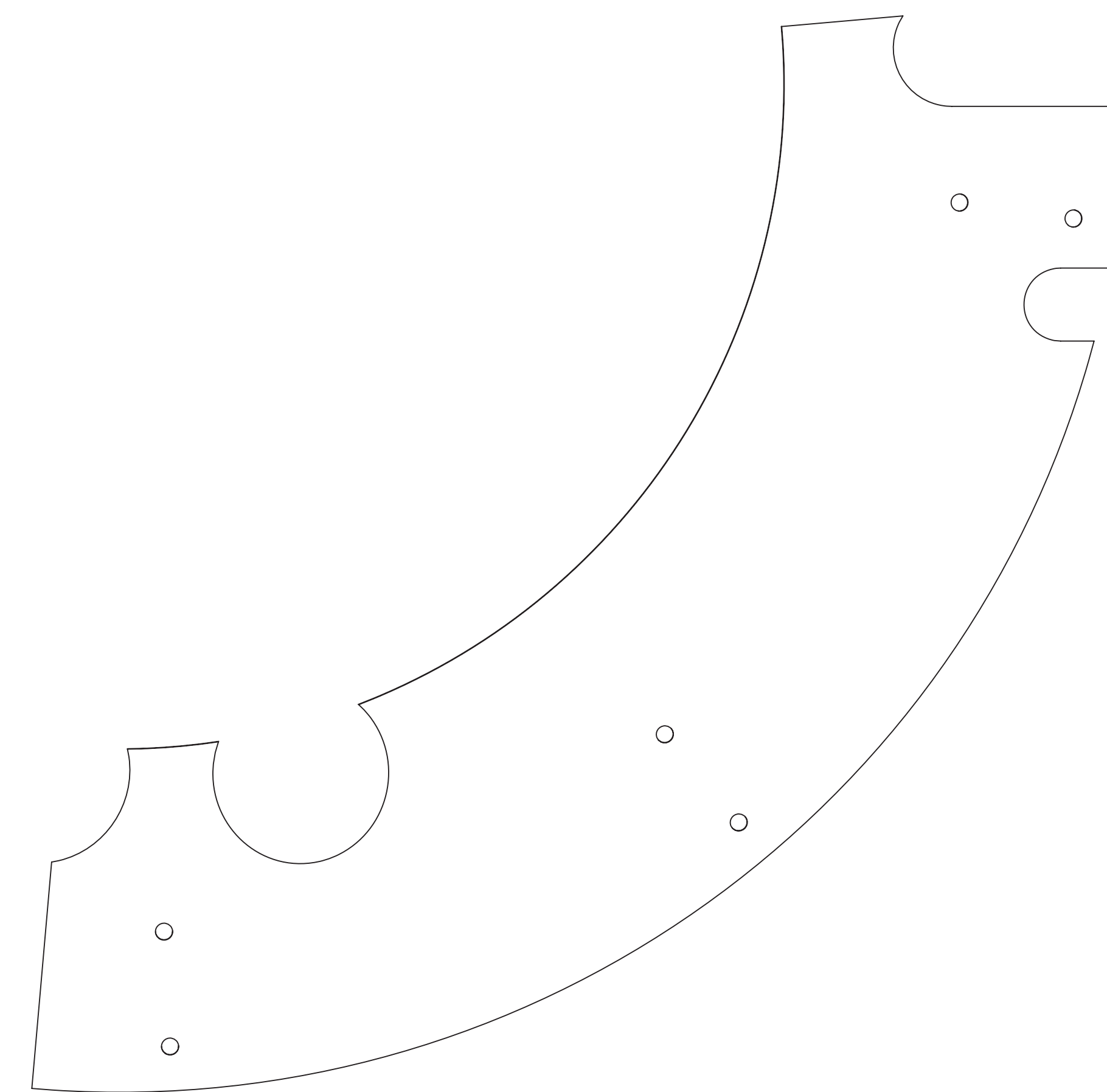
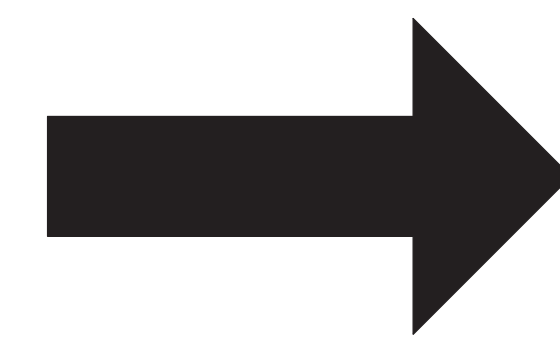
FIG. 2: CRYOPUMP BAFFLE LOWER MAGNET PLATE ACCESS



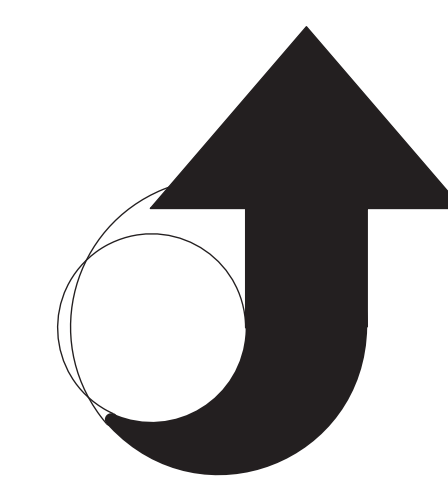
ISO VIEW, BOTTOM RIGHT



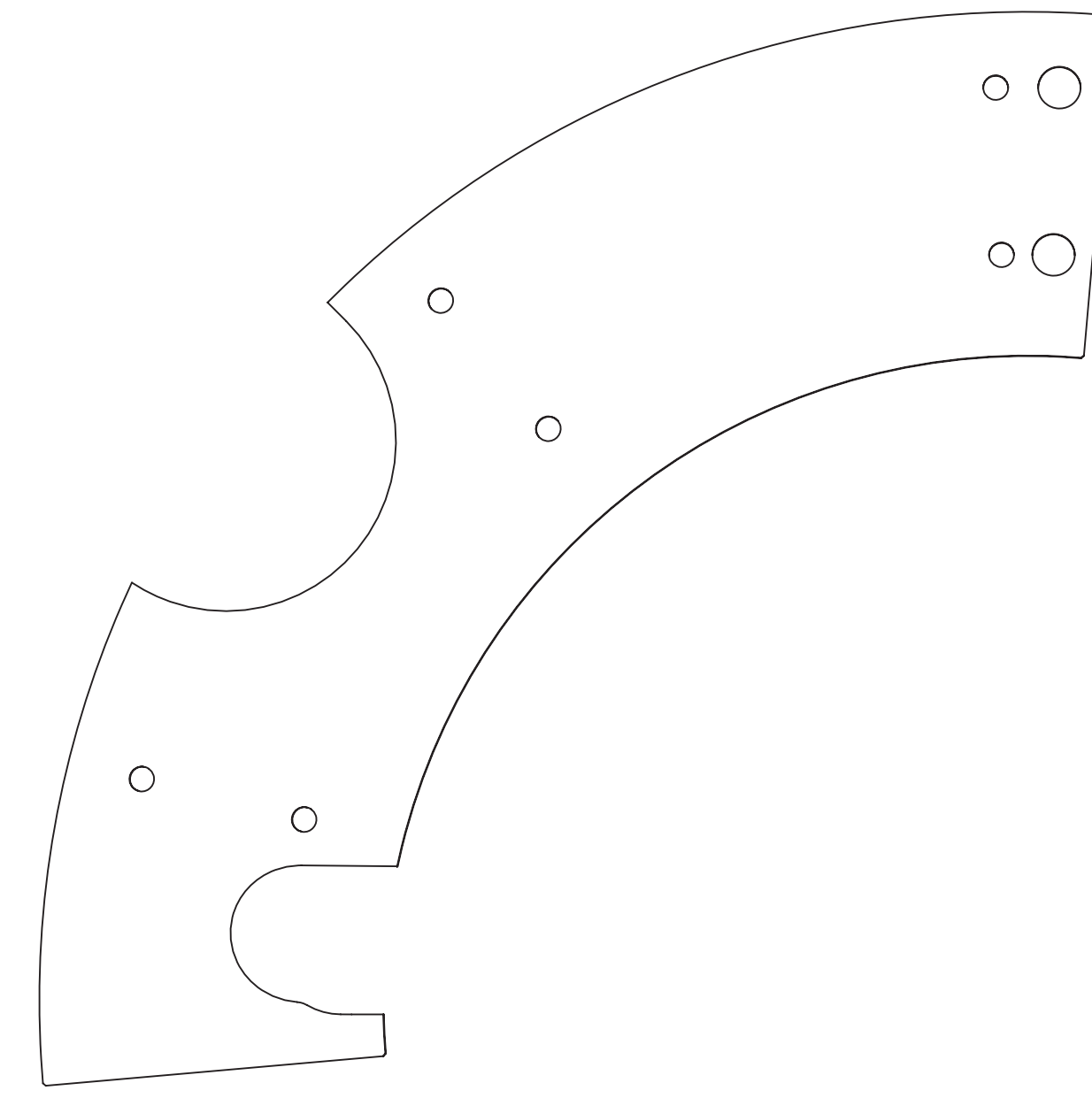
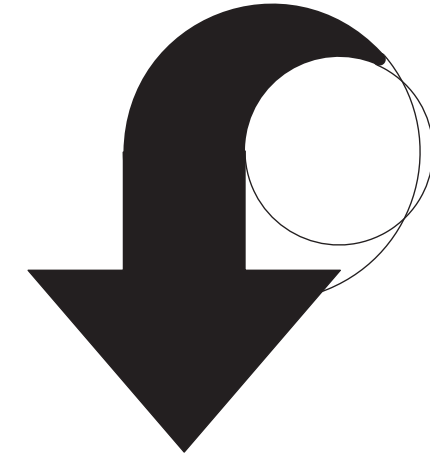
REMOVE  
P/N D1700164-03



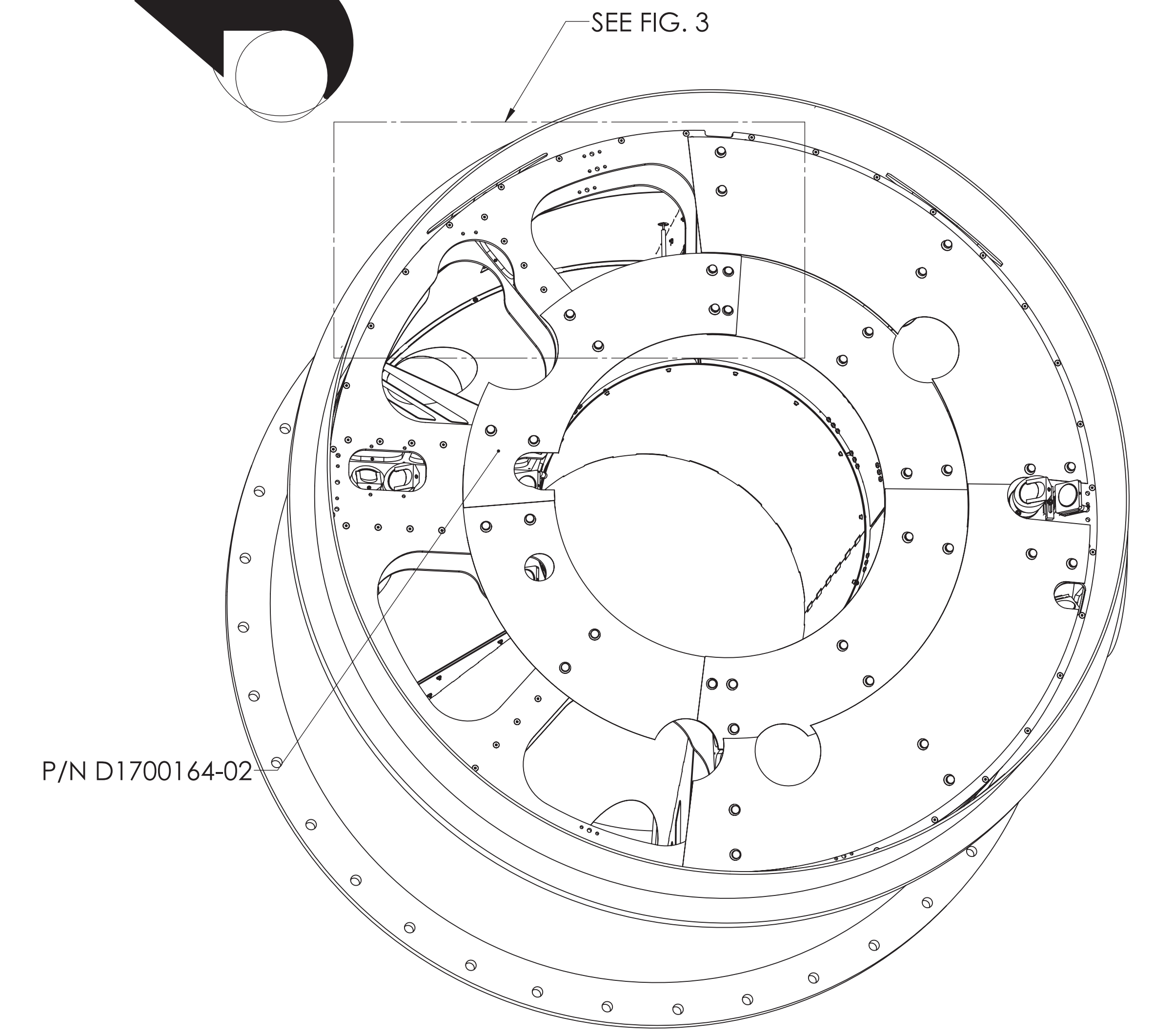
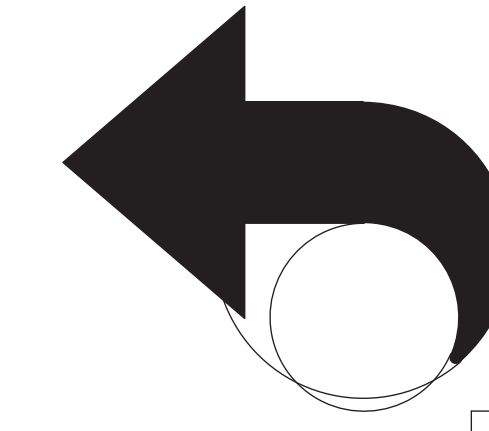
REMOVE  
P/N D1700165-02



# CRYOPUMP BAFFLE SUS ROD ACCESS



REMOVAL OPTIONAL  
P/N D1700164-02



ISO VIEW, TOP LEFT

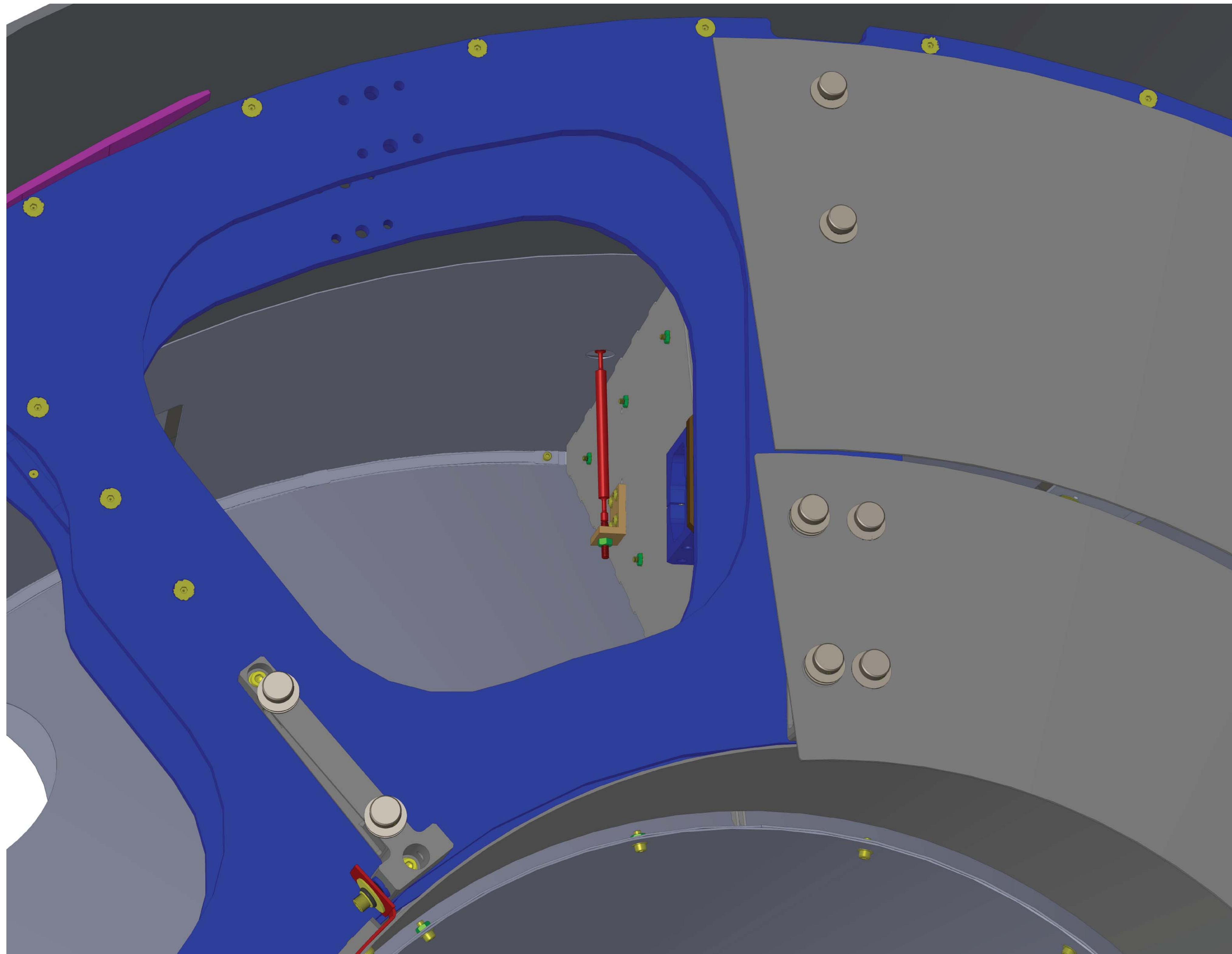
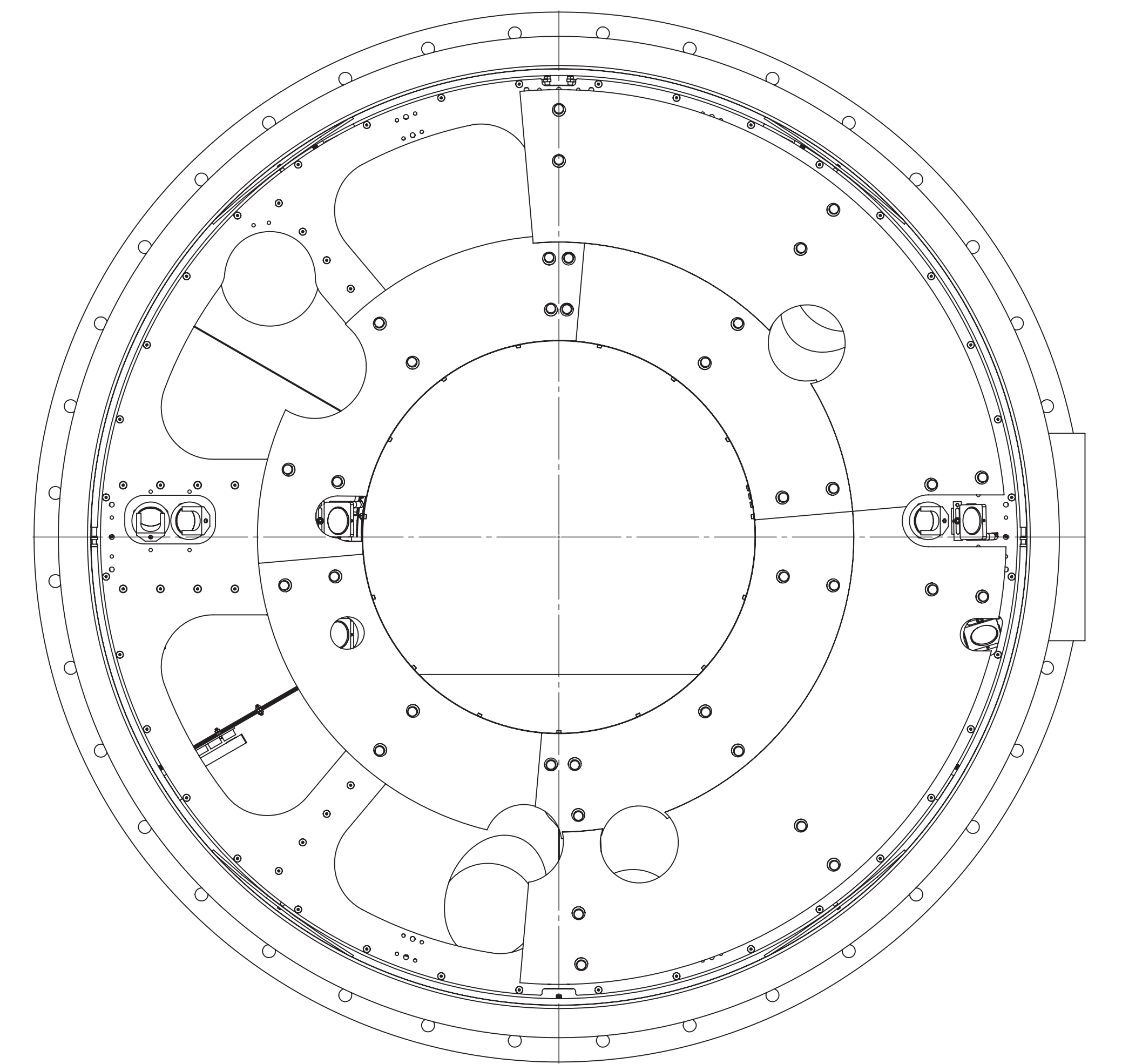
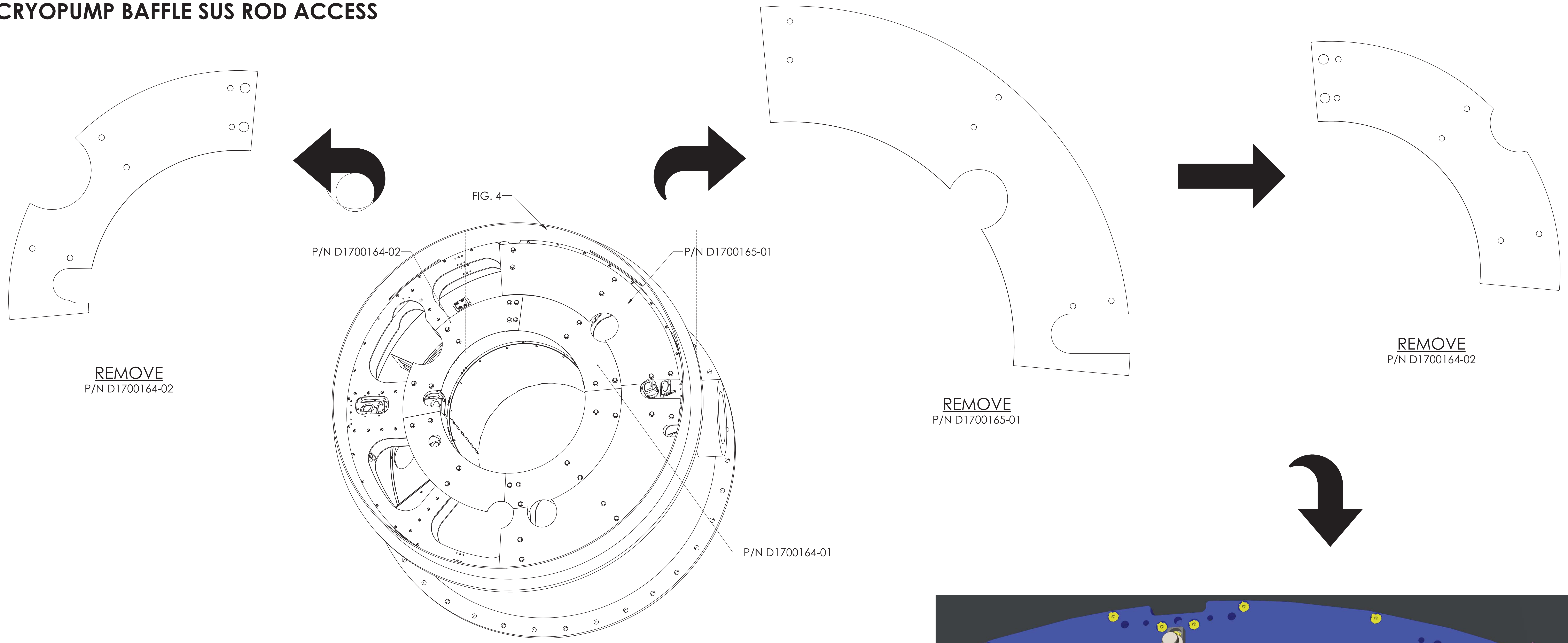


FIG. 3: CRYOPUMP BAFFLE SUS ROD ACCESS

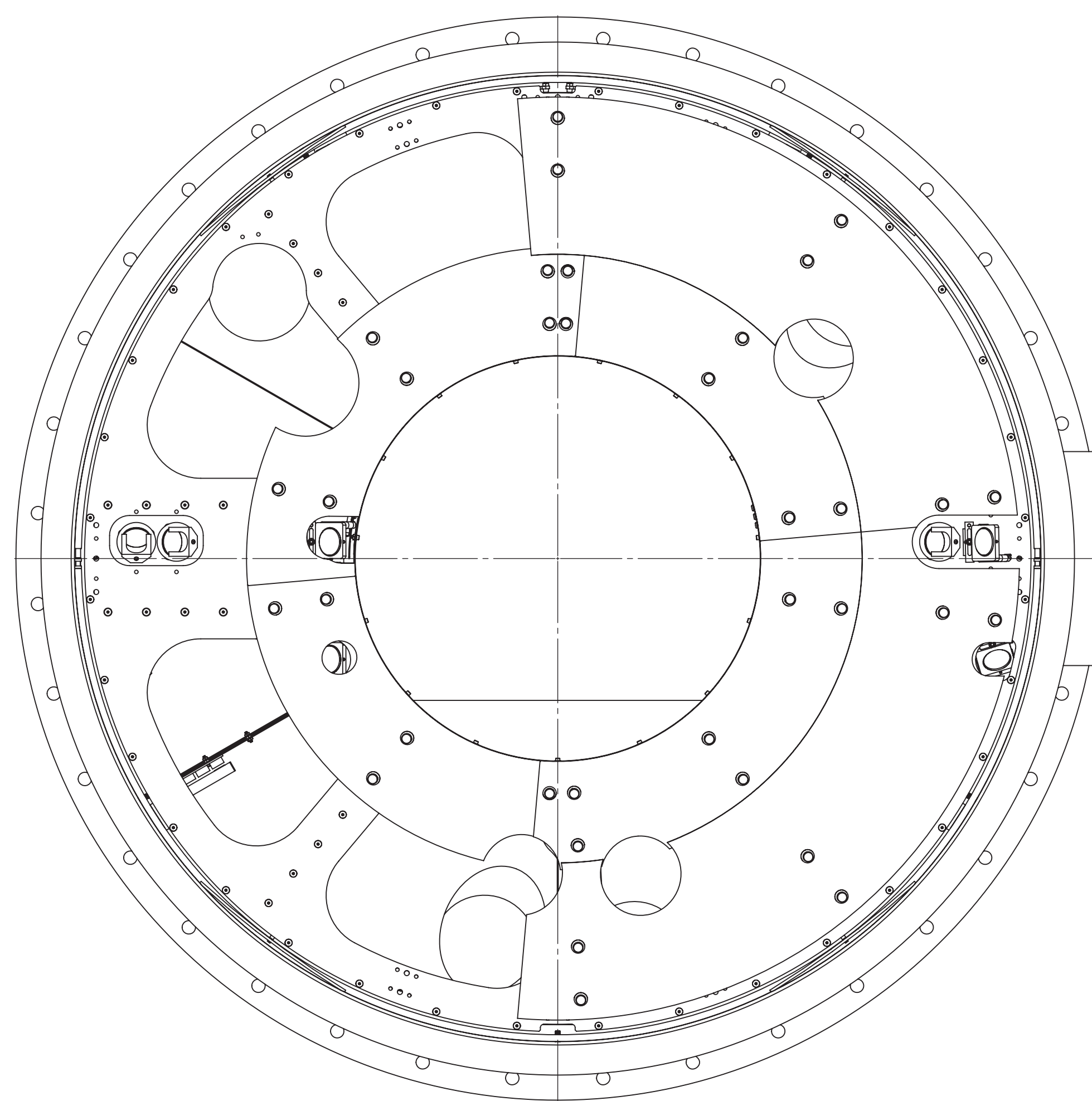


VIEW C-C

# CRYOPUMP BAFFLE SUS ROD ACCESS



ISO VIEW, TOP RIGHT



VIEW C-C

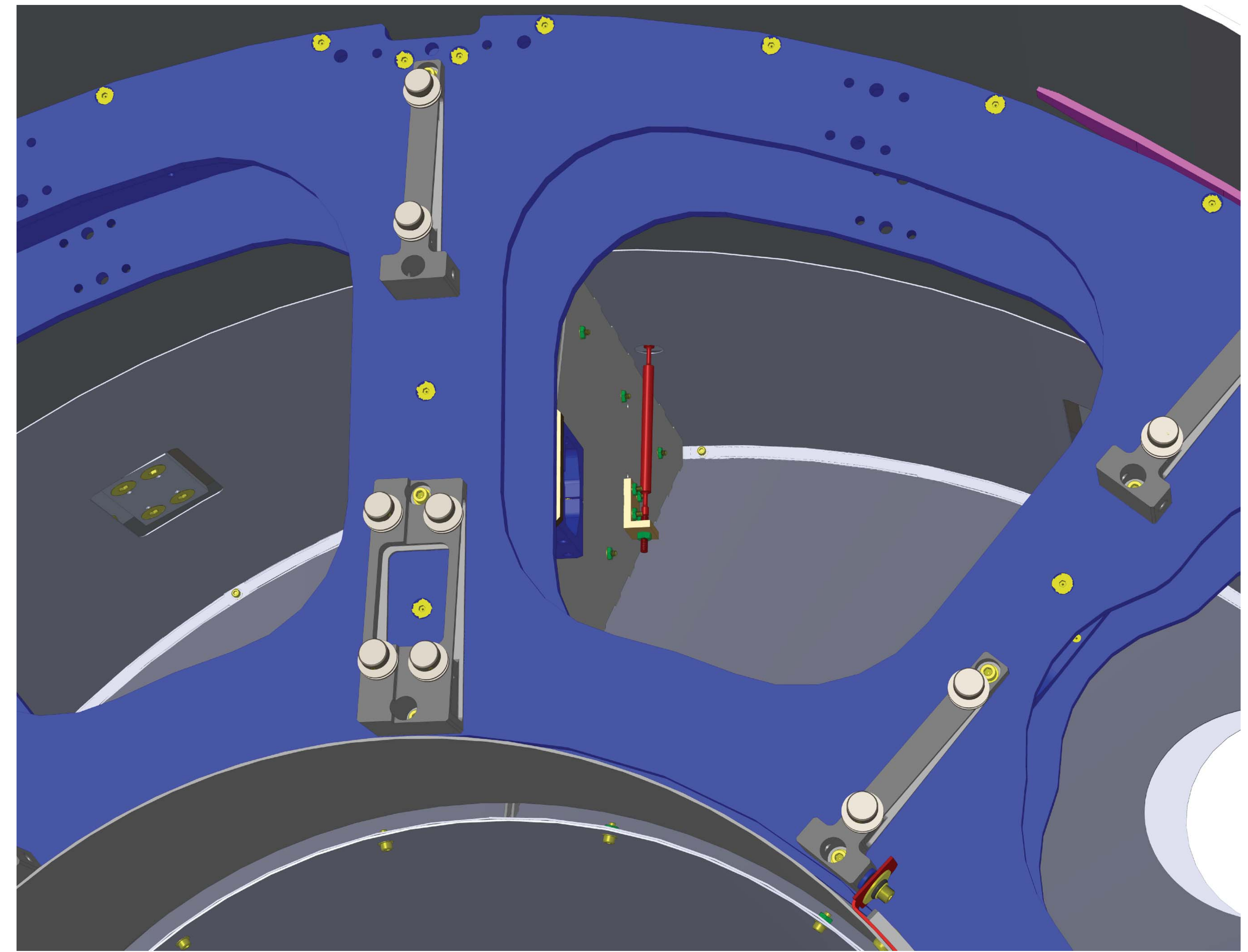


FIG. 4: CRYOPUMP BAFFLE SUS ROD ACCESS