

A

A

B

B

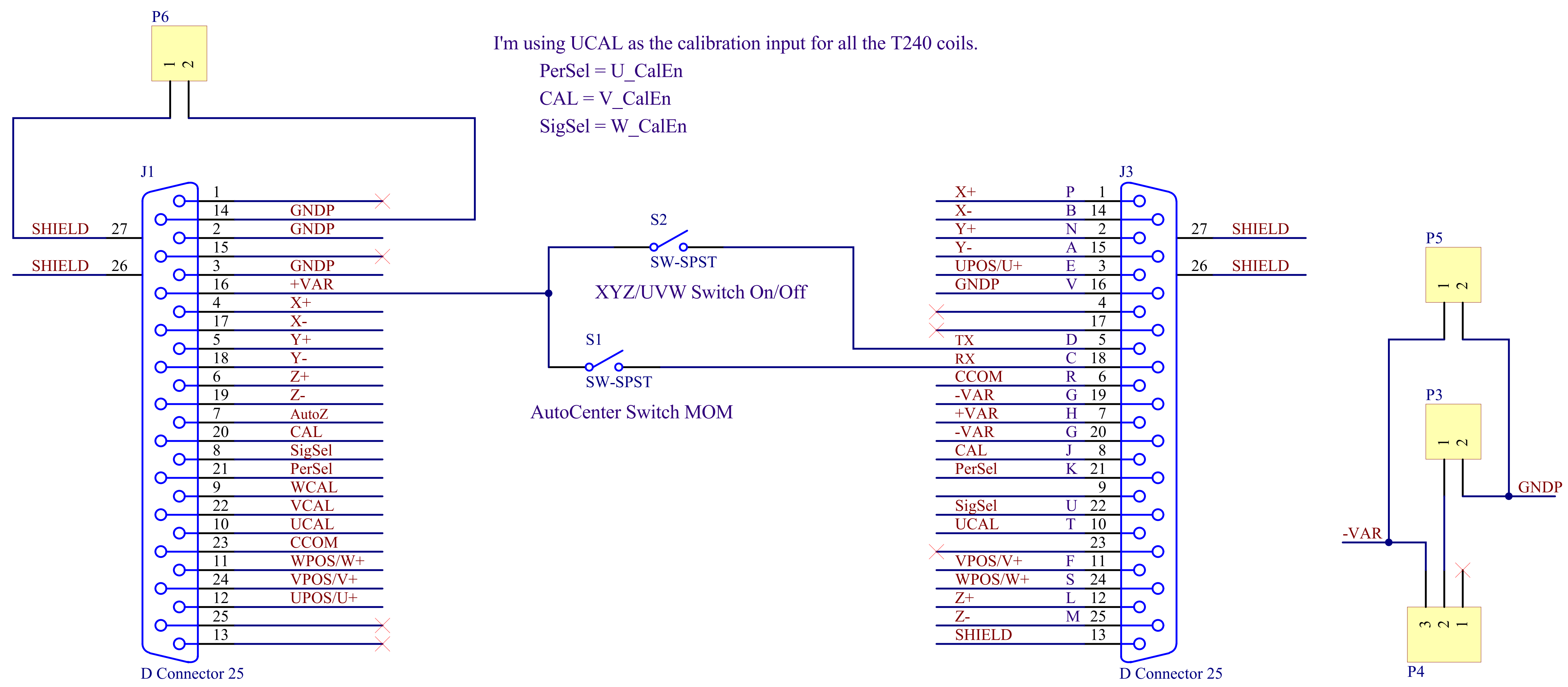
C


C

D

D

I'm using UCAL as the calibration input for all the T240 coils.
 PerSel = U_CalEn
 CAL = V_CalEn
 SigSel = W_CalEn



Title STS-2 to T240 Interface Box			
Size: A	DCC Number: LIGO-D0901473		Ligo Project California Institute of Technology Massachusetts Institute of Technology 
Drawn by: Ben Abbott	Date: 7/24/2009	Revision: v1	
File: C:\Ben\Seismic\ISI\BSC_ISI\STS-T240 Interface\STS2-T240Interface.Sch Time: 2:03:33 PM Sheet 1 of 1			

STS2 to T240 Interface Board

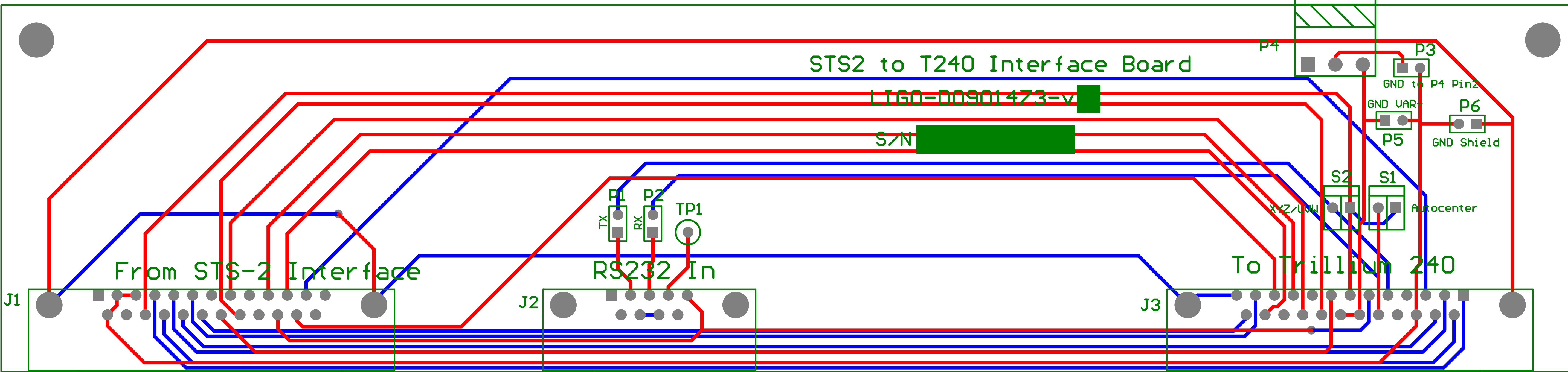
LIG0-D0901473-v

S/N

From STS-2 Interface

RS232 In

To Trillium 240



GND to P4 Pin2
GND UAR-
GND Shield

xyz/uvw

Autocenter

J1

J2

J3

P4

P3

P6

P5

P1

P2

TP1

S2

S1