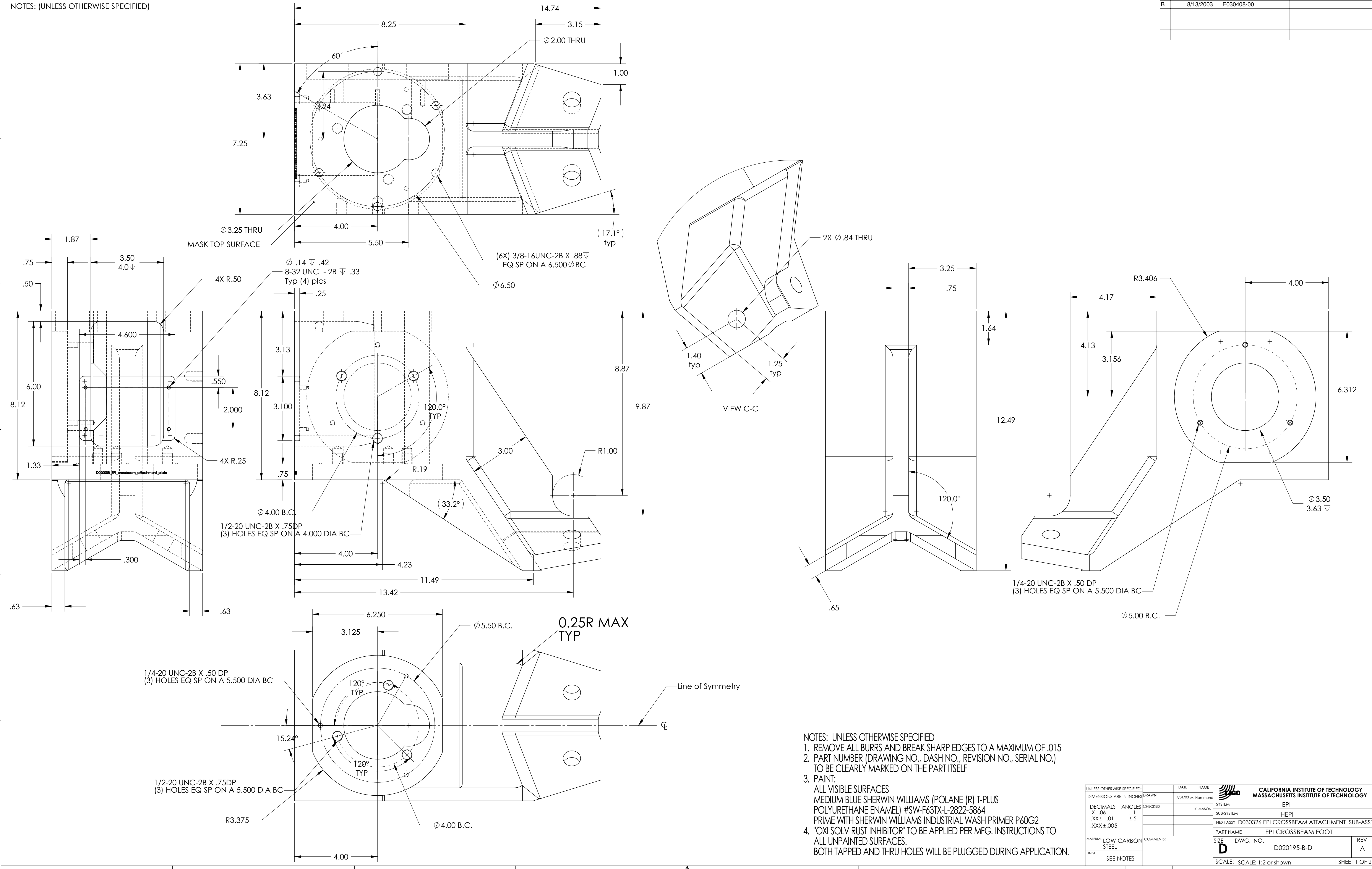


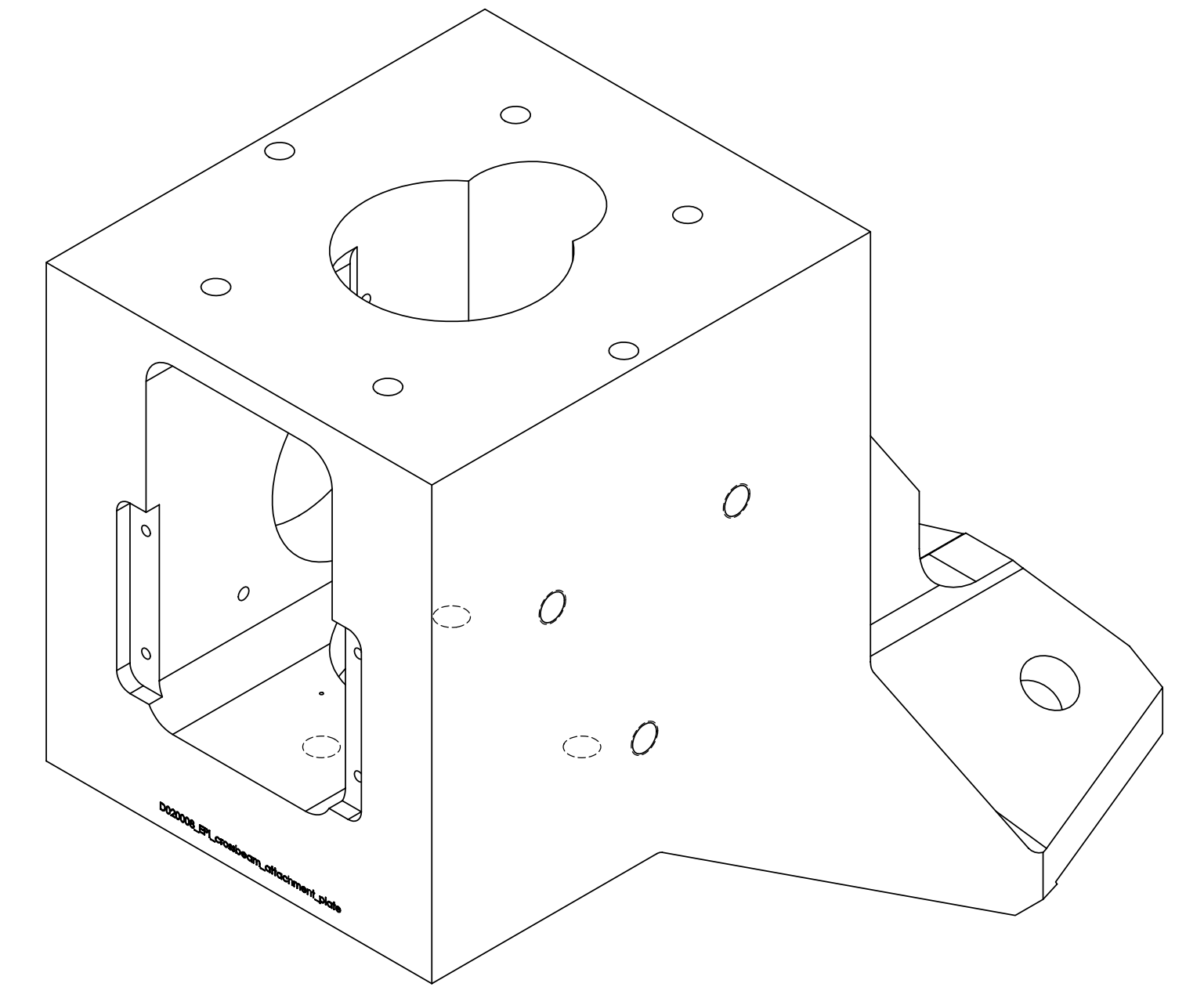
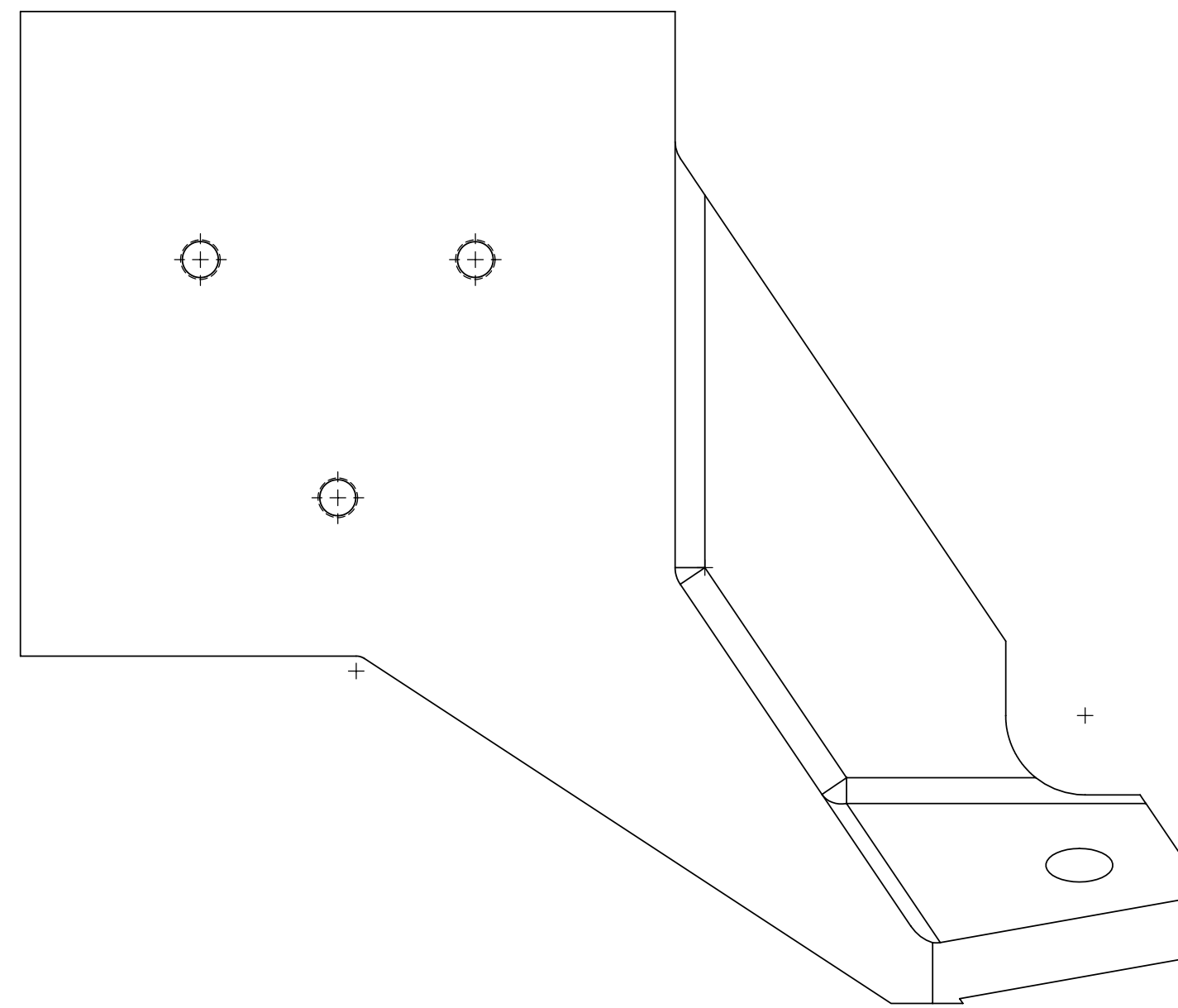
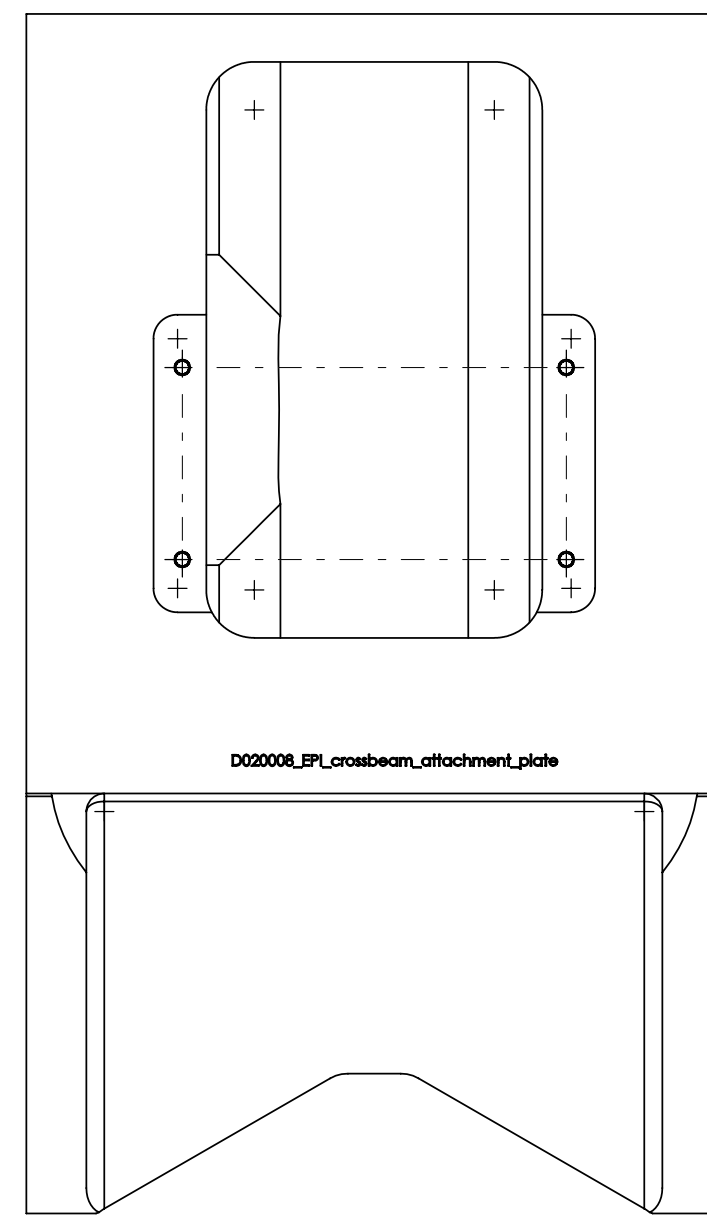
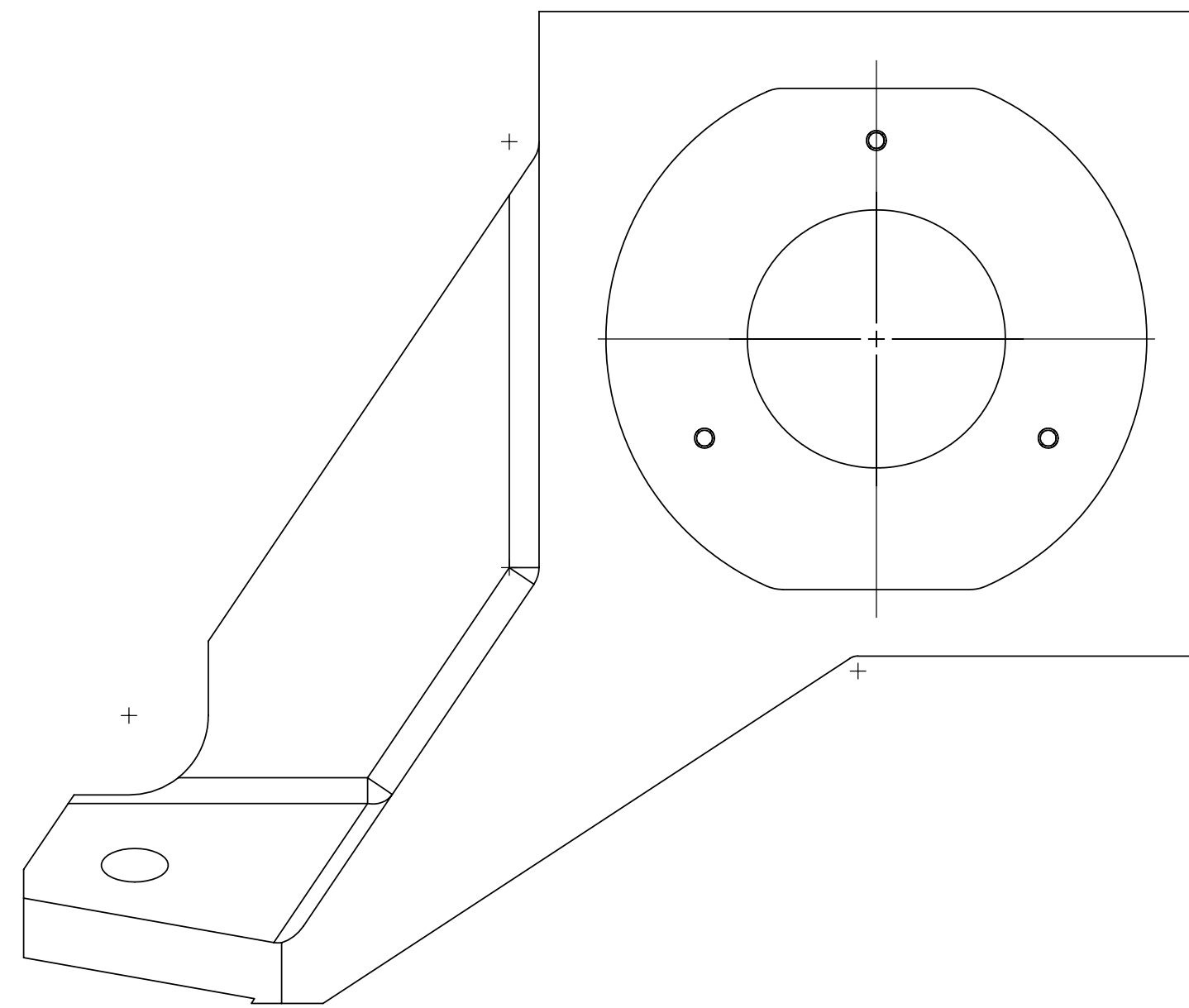
NOTES: (UNLESS OTHERWISE SPECIFIED)

REV	DATE	DCN #	DRAWING TREE #
B	8/13/2003	E030408-00	

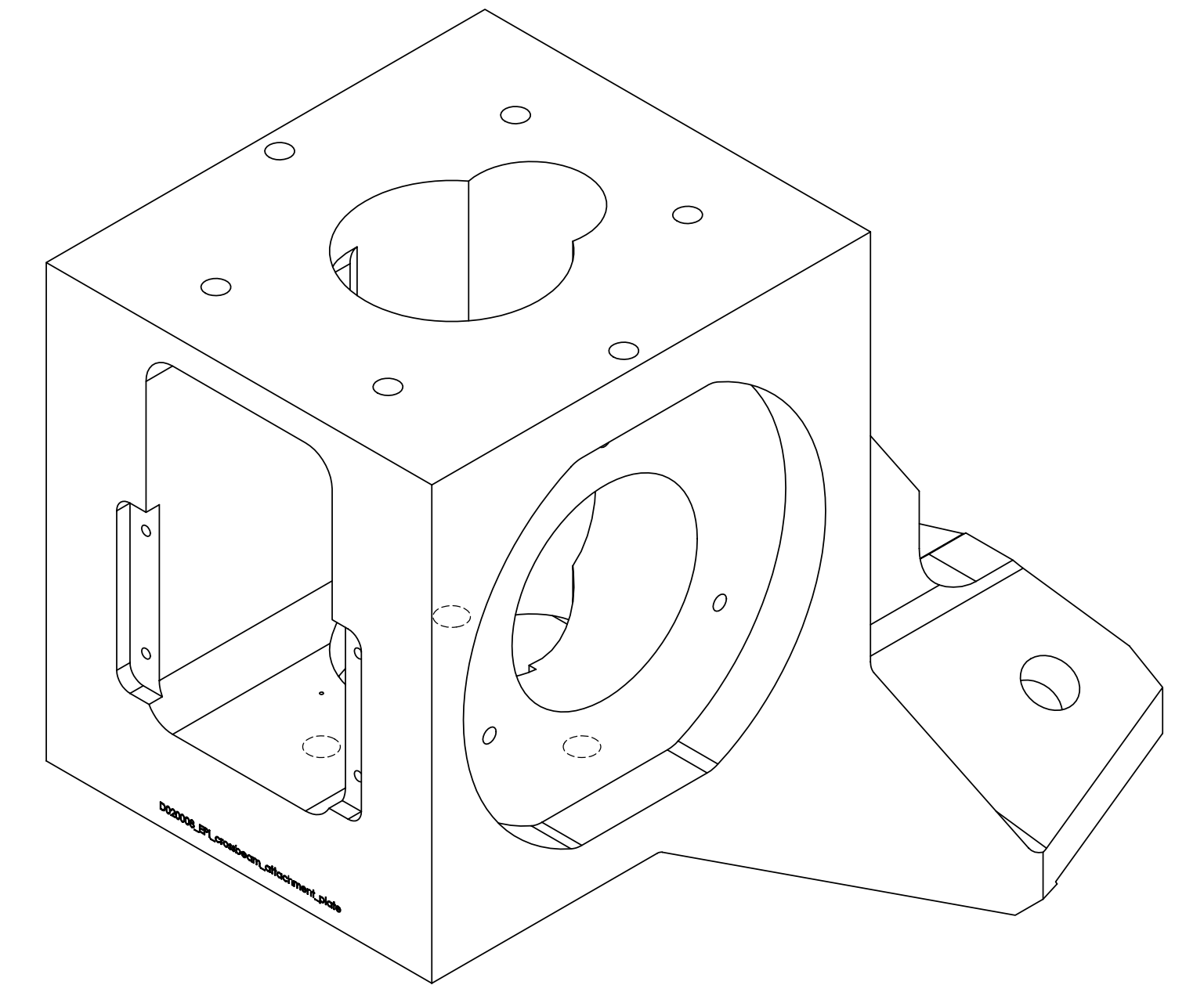
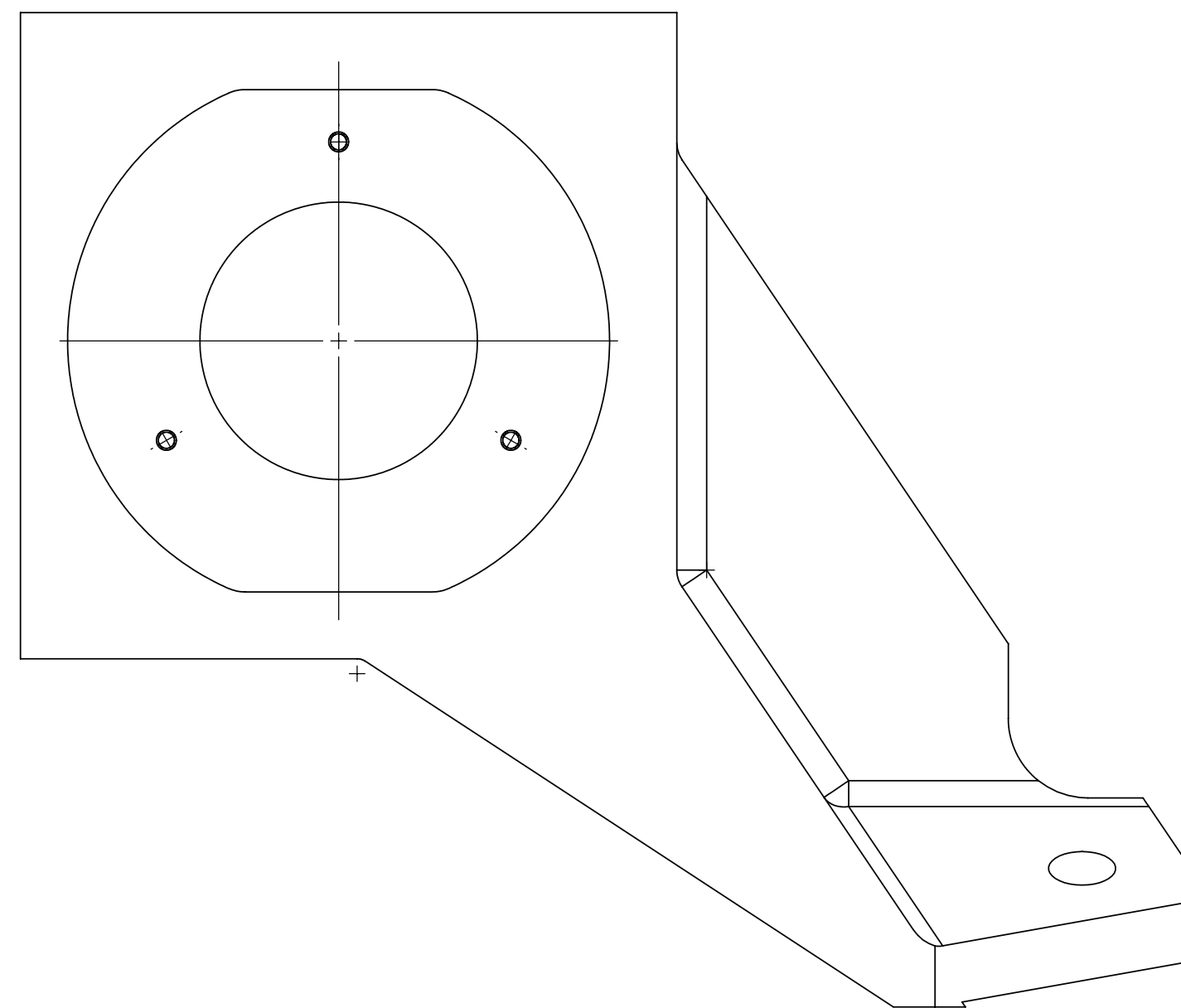
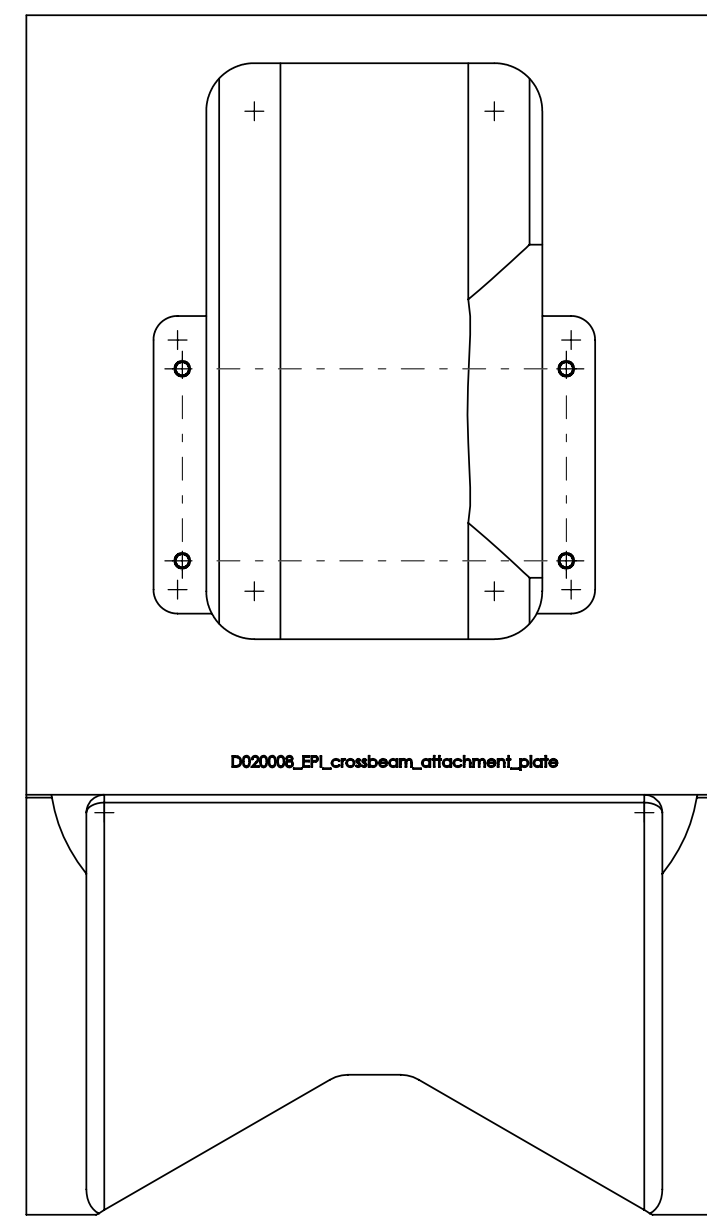
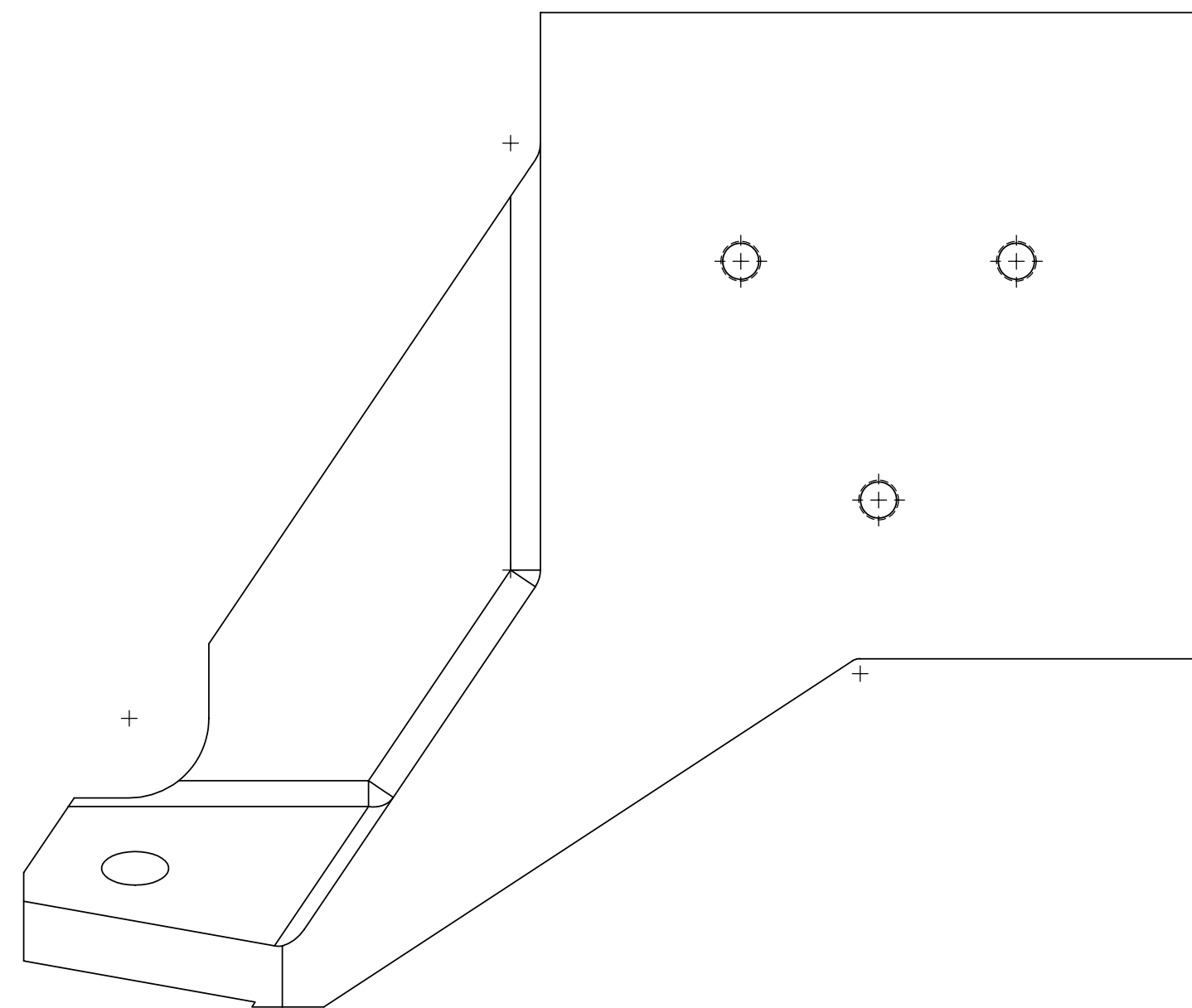


NOTES: UNLESS OTHERWISE SPECIFIED  
 1. REMOVE ALL BURRS AND BREAK SHARP EDGES TO A MAXIMUM OF .015  
 2. PART NUMBER (DRAWING NO., DASH NO., REVISION NO., SERIAL NO.) TO BE CLEARLY MARKED ON THE PART ITSELF  
 3. PAINT:  
 ALL VISIBLE SURFACES  
 MEDIUM BLUE SHERWIN WILLIAMS (POLANE (R) T-PLUS  
 POLYURETHANE ENAMEL) #SW-F63TX-L-2822-5864  
 PRIME WITH SHERWIN WILLIAMS INDUSTRIAL WASH PRIMER P60G2  
 4. "OXI SOLV RUST INHIBITOR" TO BE APPLIED PER MFG. INSTRUCTIONS TO ALL UNPAINTED SURFACES.  
 BOTH TAPPED AND THRU HOLES WILL BE PLUGGED DURING APPLICATION.


UNLESS OTHERWISE SPECIFIED:		DATE	NAME	<b>CALIFORNIA INSTITUTE OF TECHNOLOGY</b> <b>MASSACHUSETTS INSTITUTE OF TECHNOLOGY</b>
DIMENSIONS ARE IN INCHES	DRAWN	7/31/03	M. Hammond	
DECIMALS	ANGLES	CHECKED		SYSTEM
.XX ± .06	± 1			SUB-SYSTEM
.XXX ± .01	± .5			NEXT ASSY
.XXX ± .005				PART NAME
MATERIAL	LOW CARBON STEEL	COMMENTS		SIZE
FINISH	SEE NOTES			DWG. NO.
				REV
				A
				SCALE: SCALE: 1:2 or shown
				SHEET 1 OF 2



D020195 Left Configuration  
(as shown on sheet)



D020195 Right Configuration  
(side views only equal but opposite as on sheet 1)

 CALIFORNIA INSTITUTE OF TECHNOLOGY MASSACHUSETTS INSTITUTE OF TECHNOLOGY		
SYSTEM	EPI	
SUB-SYSTEM	HEPI	
NEXT ASSY	D030326 EPI CROSSBEAM ATTACHMENT SUB-ASSY	
PART NAME	EPI CROSSBEAM FOOT	
SIZE	DWG. NO.	REV
<b>D</b>	D020195-B-D	A
SCALE:	SCALE: 1:2 or shown	SHEET 2 OF 2