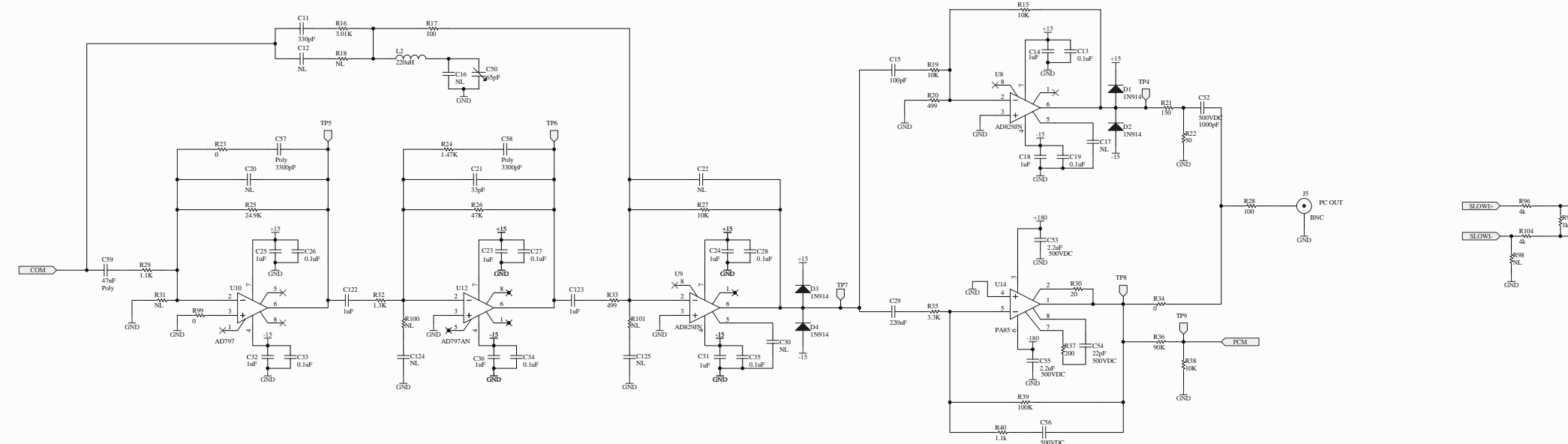
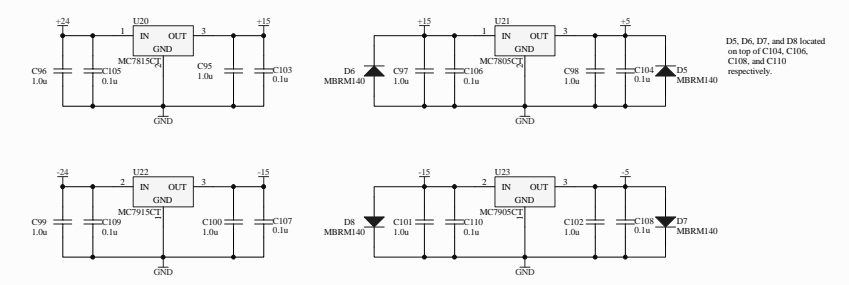
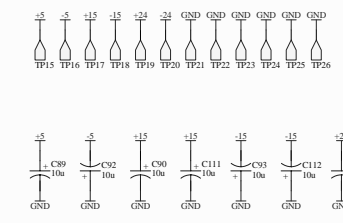
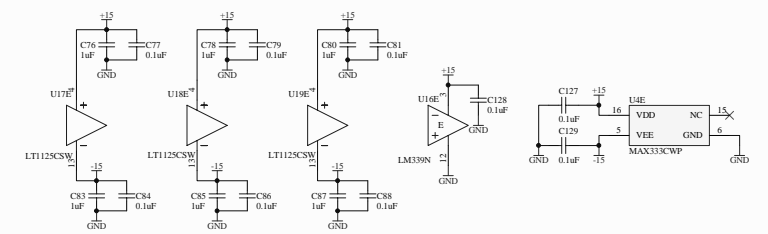
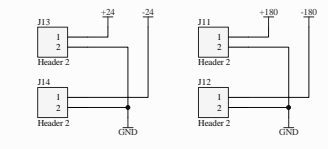
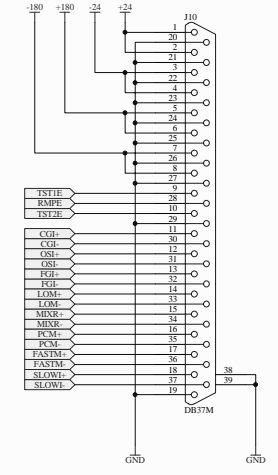
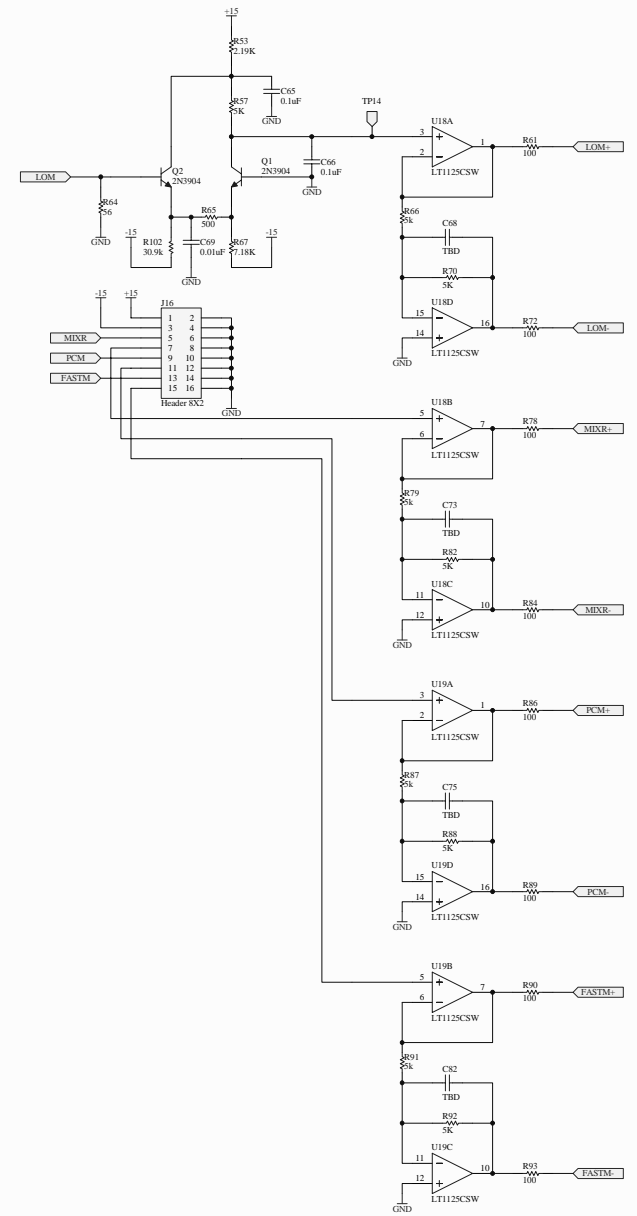
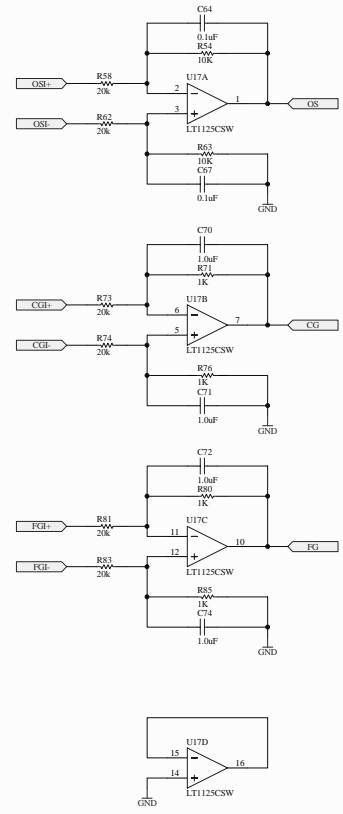
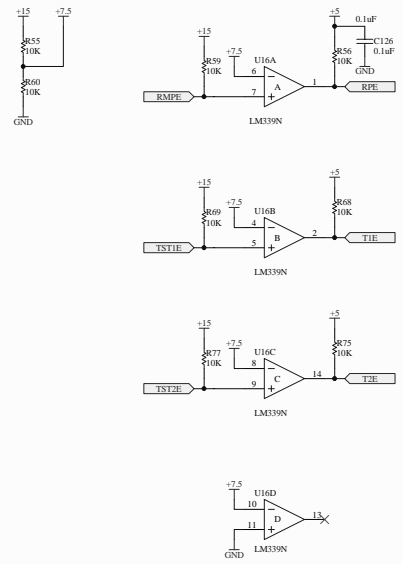


	JMP1	JMP2
Polarity	1-2	2-3
Neg.	2-3	1-2



Original Version Through Rev. F Designed and Drawn by Rich Abbott  
 Table Top Version by Paul Schainberg and Drawn by Josh Myers  
 1/26/04



Original Version Through Rev. F Designed and Drawn by Rich Abbott  
Table Top Version by Paul Schweinberg and Drawn by Josh Myers  
1/26/04