

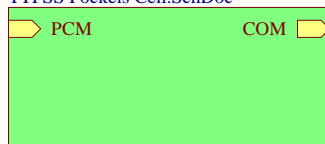
U_TTFSS Inputs
TTFSS Inputs.SchDoc



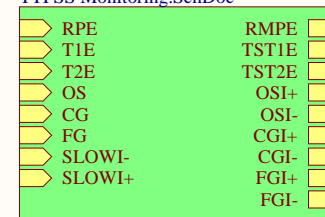
U_TTFSS Fast Path
TTFSS Fast Path.SchDoc



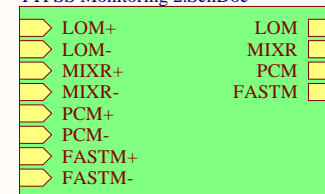
U_TTFSS Pockels Cell
TTFSS Pockels Cell.SchDoc



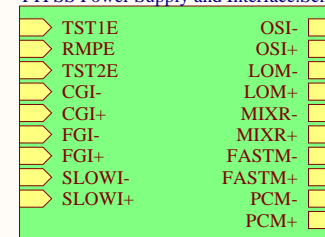
U_TTFSS Monitoring
TTFSS Monitoring.SchDoc



U_TTFSS Monitoring 2
TTFSS Monitoring 2.SchDoc



U_TTFSS Power Supply and Interface
TTFSS Power Supply and Interface.SchDoc



Serves as a more legible version

Last Edited: 9/21/2018

Title
PSL TTFSS Overview

LIGO Laboratory
California Institute of Technology
Massachusetts Institute of Technology



Size: A DCC Number: D040105

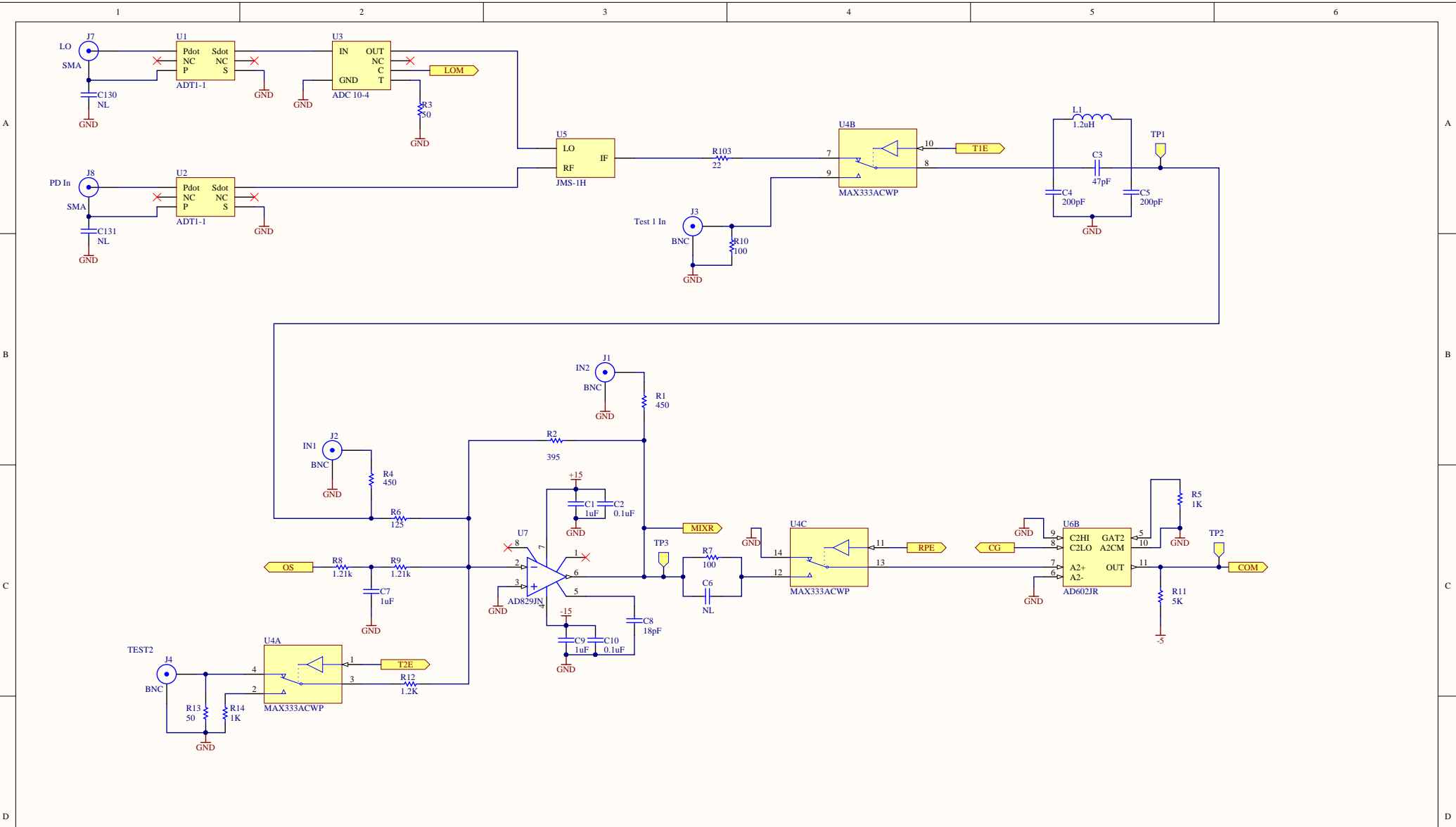
Revision: B

Engineer: M. Laxen

Date: 9/26/2018

Time: 3:57:24 PM

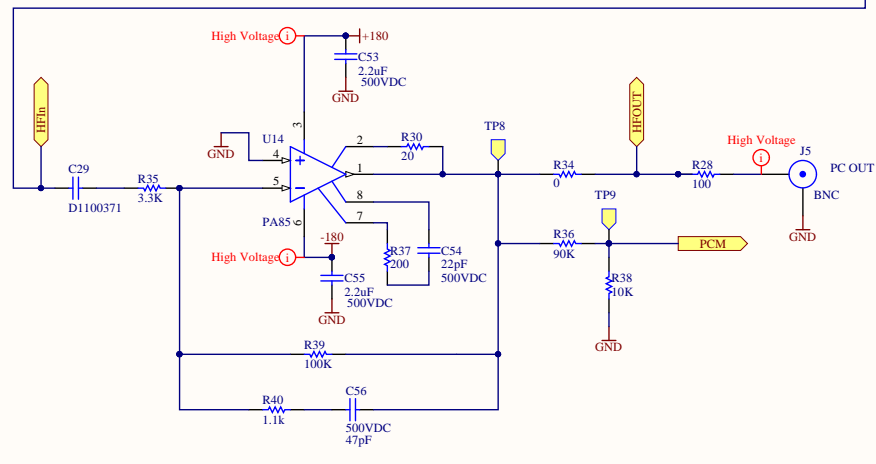
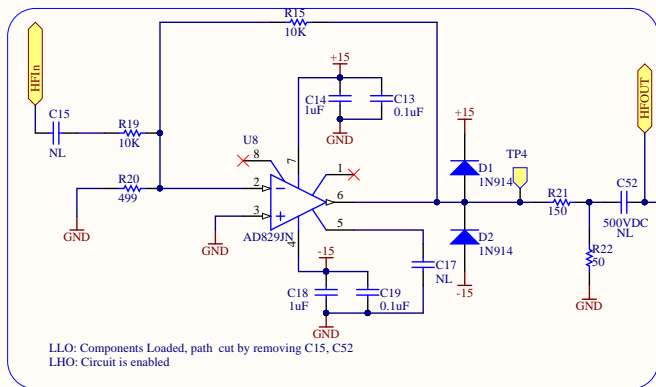
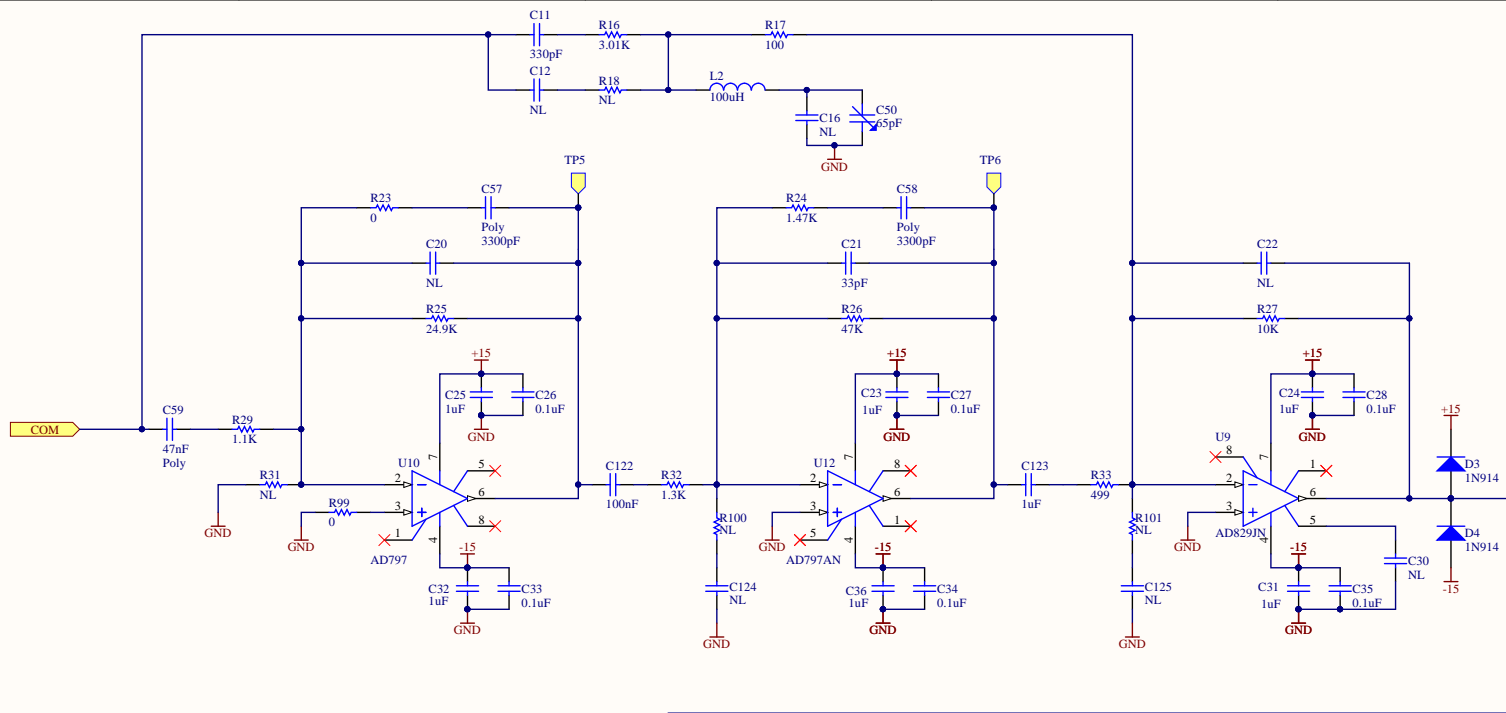
Sheet 1 of 7



Documentation Only - not for generating/laying out PCB

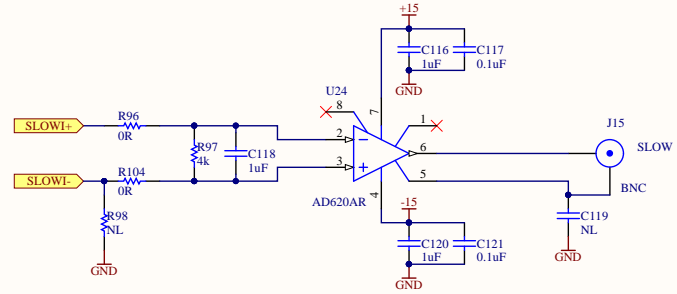
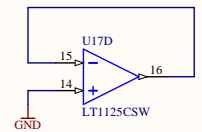
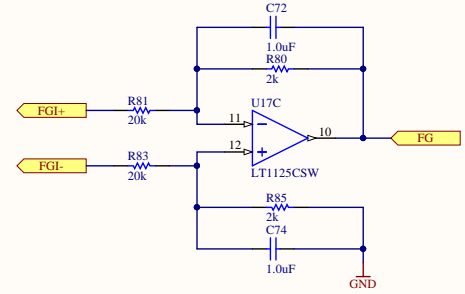
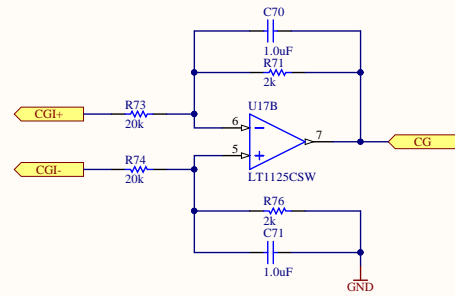
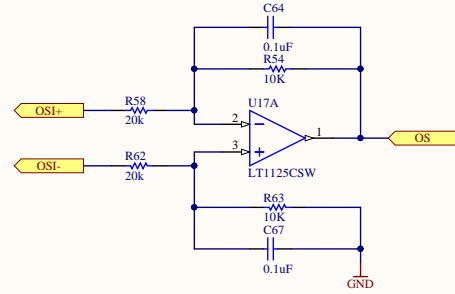
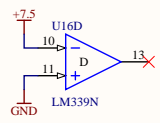
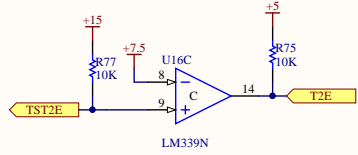
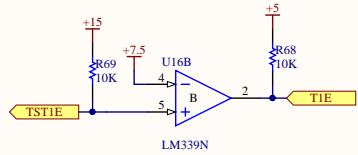
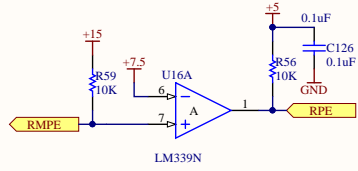
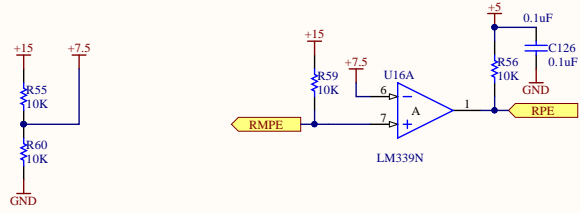
Last Edited: 9/21/2018

Title PSL TTFSS Inputs		LIGO Laboratory California Institute of Technology Massachusetts Institute of Technology		LIGO	
Size: B	DCC Number: D040105	Revision: B	Engineer: M. Laxen	Date: 9/26/2018	Time: 3:57:26 PM
File: C:\Users\laxen\Downloads\D040105-B\TTFSS Inputs.SchDoc					



Documentation Only - not for generating/laying out PCB

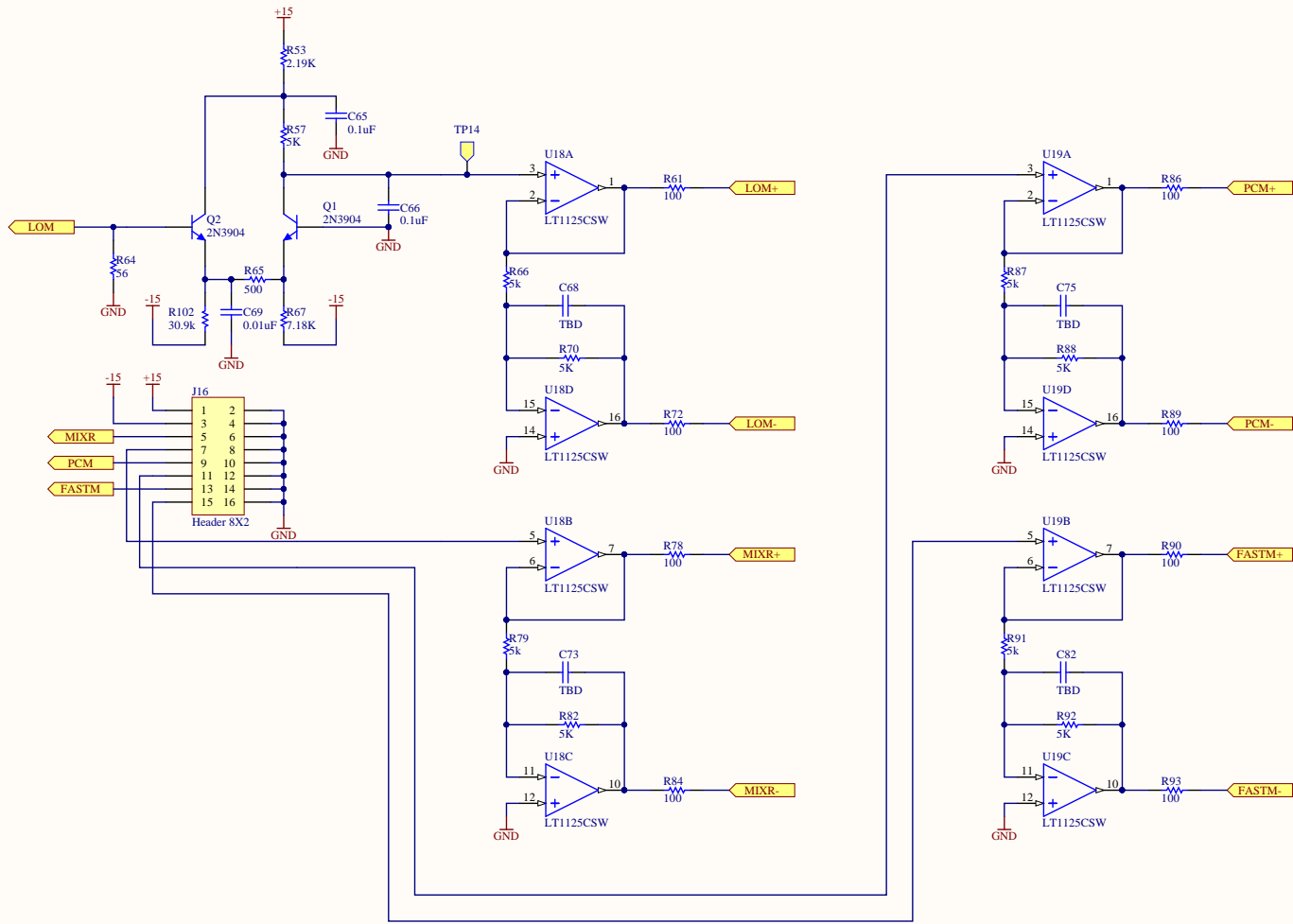
Title		Last Edited: 9/21/2018	
PSL TTFSS Pockels Cell		LIGO Laboratory California Institute of Technology Massachusetts Institute of Technology	
Size: B	DCC Number: D040105	Revision: B	Engineer: M. Laxen
Date: 9/26/2018		Time: 3:57:31 PM	
File: C:\Users\laxen\Downloads\D040105-B\TTFSS Pockels Cell.SchDoc		Sheet 4 of 7	



Documentation Only - not for generating/laying out PCB

Title		Last Edited: 9/21/2018	
PSL TTFSS Monitoring		LIGO Laboratory California Institute of Technology Massachusetts Institute of Technology	
Size: B	DCC Number: D040105	Revision: B	Engineer: M. Laxen
Date: 9/26/2018		Time: 3:57:29 PM	
Sheet 5 of 7			

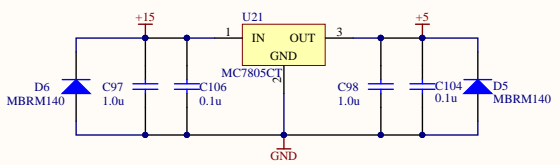
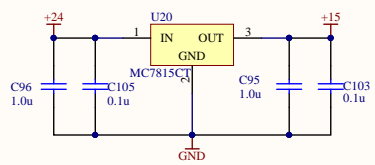
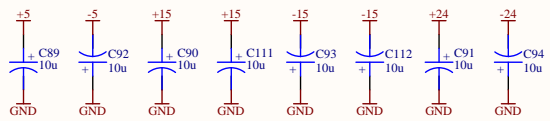
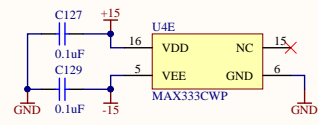
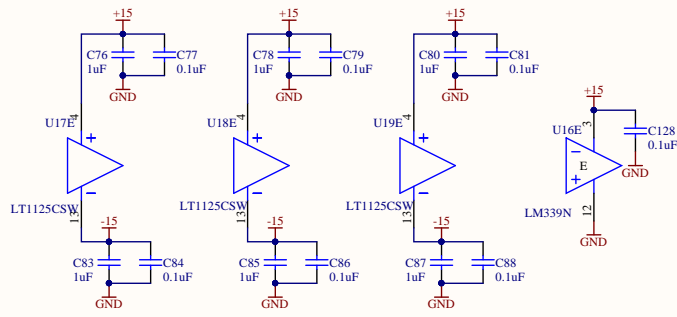
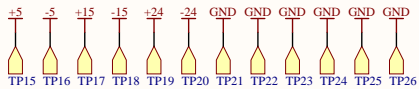
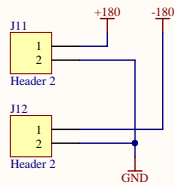
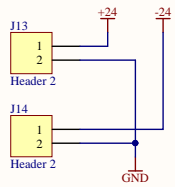
File: C:\Users\laxen\Downloads\D040105-B\TTFSS Monitoring_SchDoc



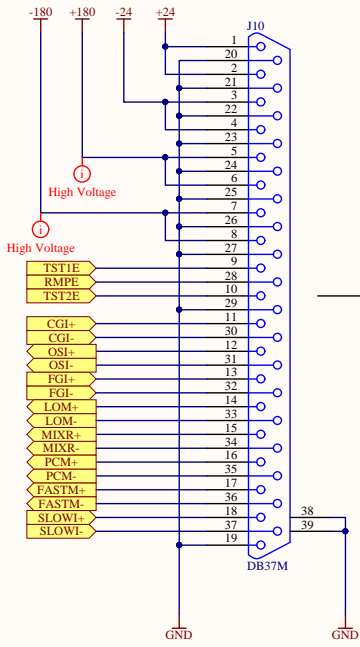
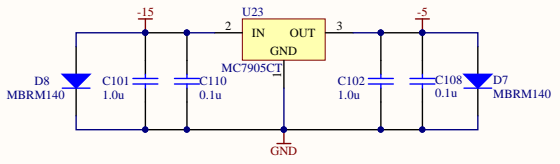
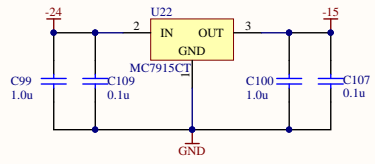
Documentation Only - not for generating/laying out PCB

Title		Last Edited: 9/21/2018	
PSL TTFSS Monitoring 2		LIGO Laboratory California Institute of Technology Massachusetts Institute of Technology	
Size: B	DCC Number: D040105	Revision: B	Engineer: M. Laxen
File: C:\Users\laxen\Downloads\D040105-B\TTFSS Monitoring 2.SchDoc		Date: 9/26/2018	Time: 3:57:28 PM
		Sheet 6 of 7	





D5, D6, D7, and D8 located on top of C104, C106, C108, and C110 respectively.



To FSS Interface Card / FieldBox D1100367