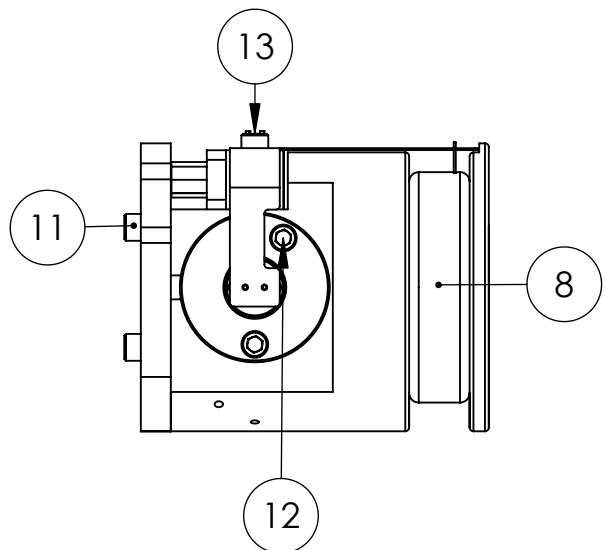
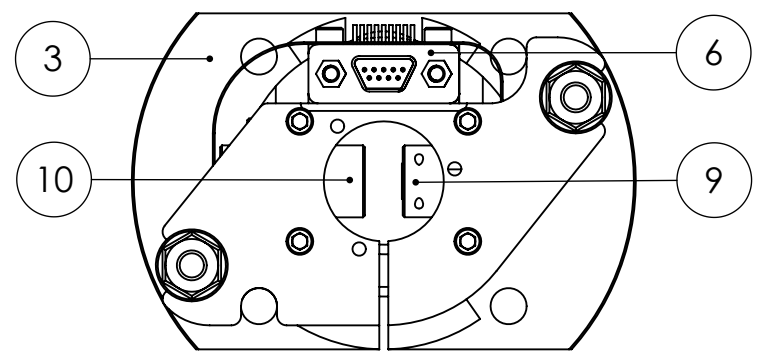
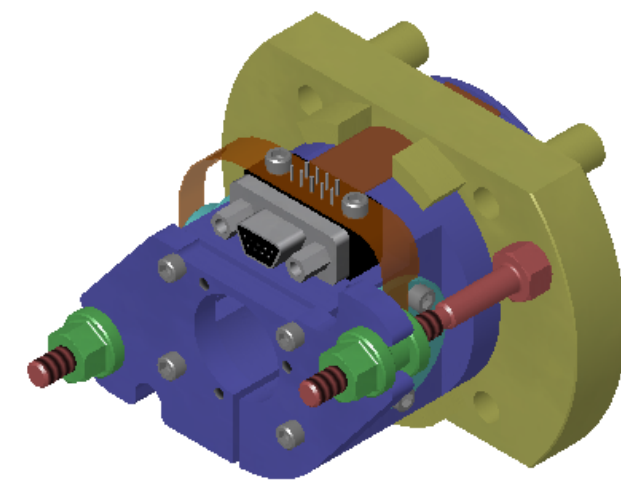
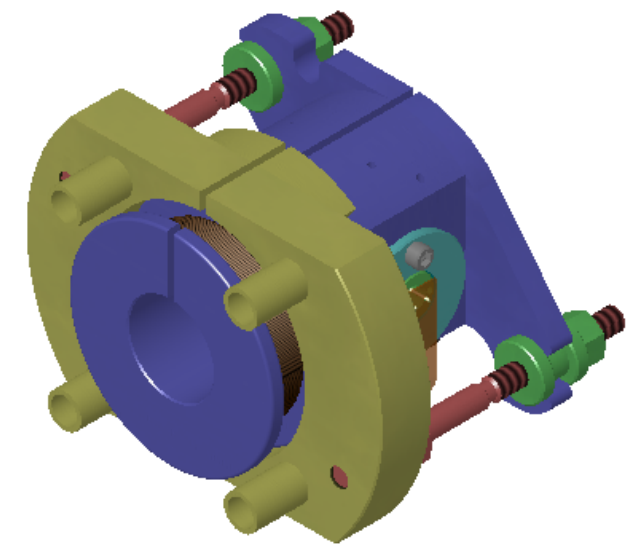
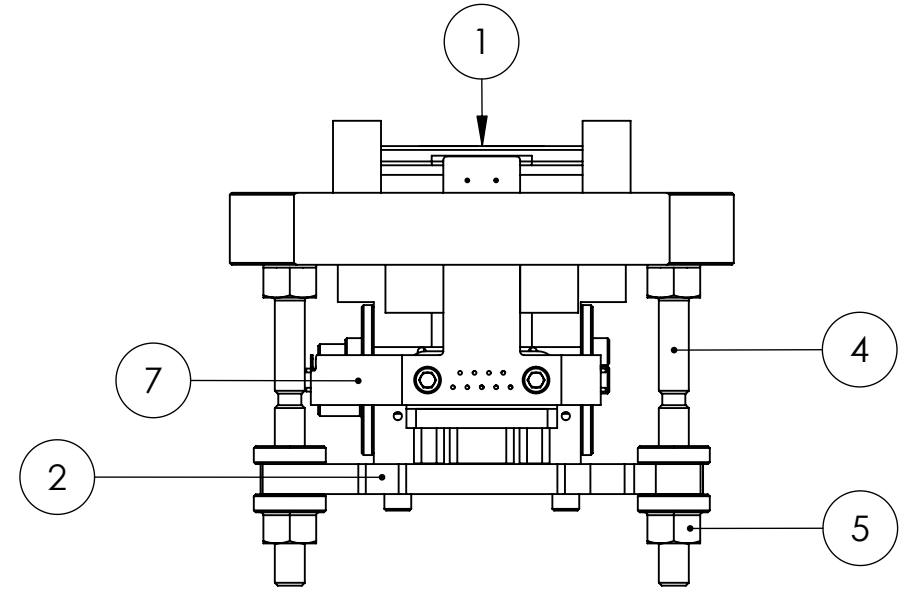


REV.	DATE	DCN #	DRAWING TREE #
A	6 NOV 06	E060262	E060243
B	1 APR 07	E060262	E060243
C	12 DEC 07	E060262	E060243



ITEM NO	REQ.	SPARE	TOT.	PART NUMBER	DESCRIPTION
13	2	2	4		No. 2 UNC Caphead x 1/2" long
12	4	4	8		No. 2 UNC Caphead x 1/4" long
11	4	4	8		No. 2 UNC Caphead x 5/16" long
10	1	1	2	D060216	IRLED Assembly
9	1	1	2	D060217	PD Assembly
8	1	1	2		Coil Winding (MWS 32QML)
7	1	1	2	D050435	Flexi-Circuit
6	1	1	2	GlenAir	Connector (GlenAir)
5	2	2	4	D060110	Adjuster Nut
4	2	2	4	D060109	Adjuster Shaft
3	1	1	2	D060108	Coilformer Clamp
2	1	1	2	D060107	Coilformer Backplate
1	1	1	2	D060106	Coilformer

PARTS LIST

NOTES: (UNLESS OTHERWISE SPECIFIED)

- DO NOT SCALE FROM DRAWING.
- REMOVE ALL SHARP EDGES, R.02 MIN.
- ALL MACHINING FLUIDS SHALL BE WATER SOLUBLE AND FREE OF SULFUR, CHLORINE AND SILICONE, SUCH AS CINCINNATI MILACRON'S CIMTECH 410 (STAINLESS STEEL)
- ASSEMBLE ACCORDING TO NOISE PROTOTYPE OSEM ASSEMBLY SPECIFICATION.

DIMENSIONS ARE IN INCHES

TOLERANCES:
 .XX ± 0.01
 .XXX ± 0.005

ANGULAR ± 0.5 °

	NAME	DATE
DRAWN	S.Brookes	26 JUN 06
CHECKED	S.Aston	12 OCT 06
APPROVED	A. Vecchio	31 OCT 06

SYSTEM CALIFORNIA INSTITUTE OF TECHNOLOGY
 MASSACHUSETTS INSTITUTE OF TECHNOLOGY
 IGR, GLASGOW UNIVERSITY GEO 600 GROUP
 UNIVERSITY OF BIRMINGHAM
ADVANCED LIGO
SUB-SYSTEM SUS
NEXT ASSY
PART NAME BOSEM Assembly
SIZE DWG. NO. D060218
REV. C
SCALE: 1:1 **PROJECTION:** **SHEET 1 OF 1**