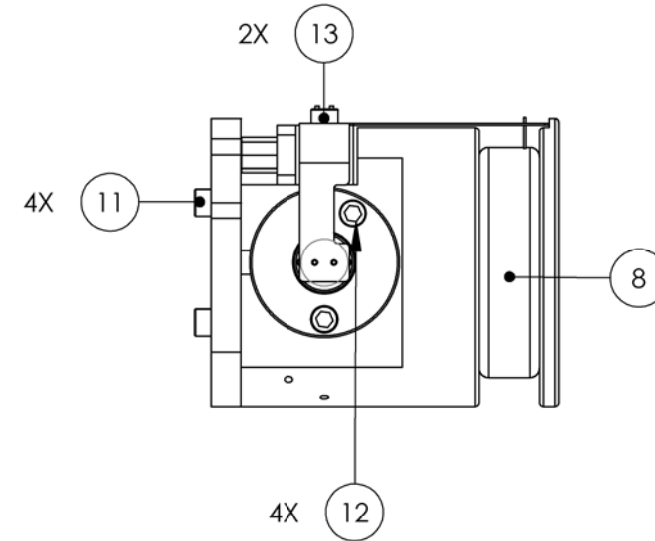
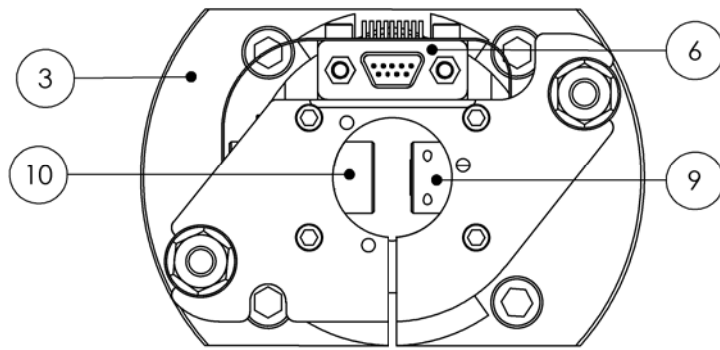
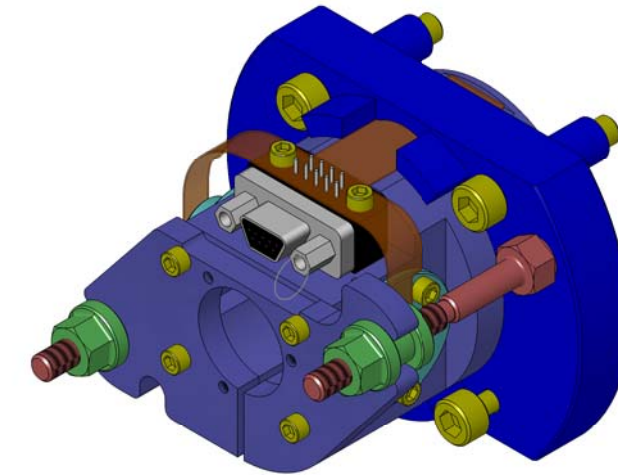
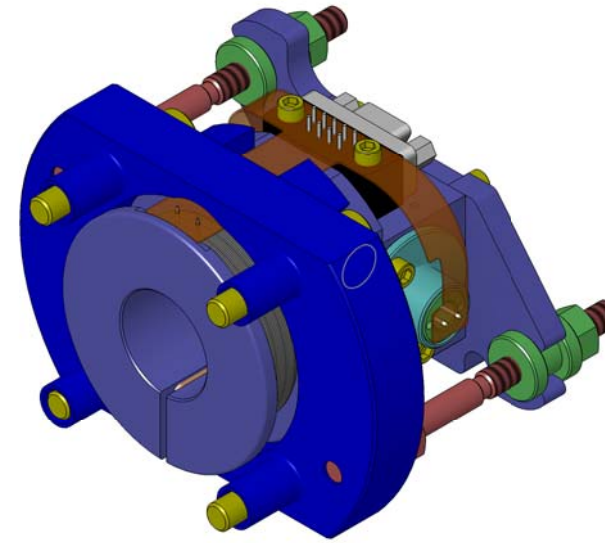
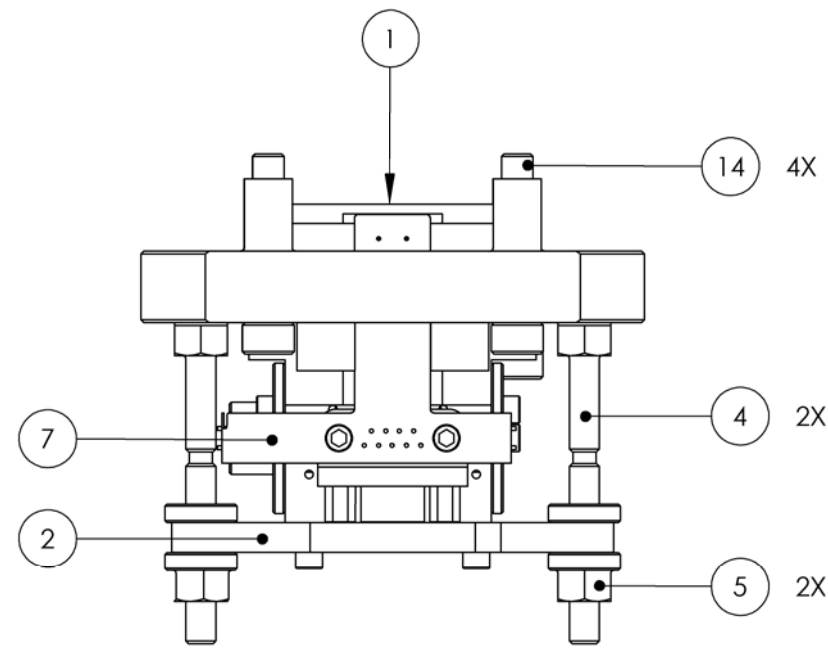


REV.	DATE	DCN #	DRAWING TREE #
C	12 DEC 2007	E060262	E060243
v2	20 JAN 2012	E1200066-x0	-
-	-	-	-



ITEM NO.	PART NUMBER	DESCRIPTION	REQ	SPARE	TOTAL
14	95966A339 McMaster-CARR	SCREW, SHC, 8-32 X .88 LG., CAPTIVE	4	-	4
13	-	SCREW, SOCKET HEAD CAP, #2-56 UNC-2A X 0.5 LONG	2	2	4
12	-	SCREW, SOCKET HEAD CAP, #2-56 UNC-2A X 0.25 LONG	4	4	8
11	-	SCREW, SOCKET HEAD CAP, #2-56 UNC-2A X 0.3125 LONG	4	4	8
10	D060216	IRLED Assembly	1	1	2
9	D060217	PD Assembly	1	1	2
8		Coil Winding (MWS 32QML)	1	1	2
7	D050435	Flexi-Circuit	1	1	2
6	GlenAir	Connector (GlenAir)	1	1	2
5	D060110	Adjuster Nut	2	2	4
4	D060109	Adjuster Shaft	2	2	4
3	D060108	ALIGO, SUS, QUAD, BOSEM ASSY., COILFORMER CLAMP	1	1	2
2	D060107	Coilformer Backplate	1	1	2
1	D060106	Coilformer	1	1	2

NOTES AND TOLERANCES: (UNLESS OTHERWISE SPECIFIED)

MATERIAL N/A FINISH N/A μinch

CALIFORNIA INSTITUTE OF TECHNOLOGY MASSACHUSETTS INSTITUTE OF TECHNOLOGY		PART NAME ALIGO, SUS, BOSEM ASSEMBLY	
SYSTEM ADVANCED LIGO	SUB-SYSTEM SUS	DESIGNER S.BROOKES 26 JUN 2006	SIZE DWG. NO. B D060218
DRAFTER S.ASTON 12 OCT 2006	CHECKER A.VECCHIO 31 OCT 2006	REV. v2	SCALE: 1:1 PROJECTION:
NEXT ASSY MULTIPLE		SHEET 1 OF 1	

D060218-C-K, PART PDM REV: X-003, DRAWING PDM REV: X-002