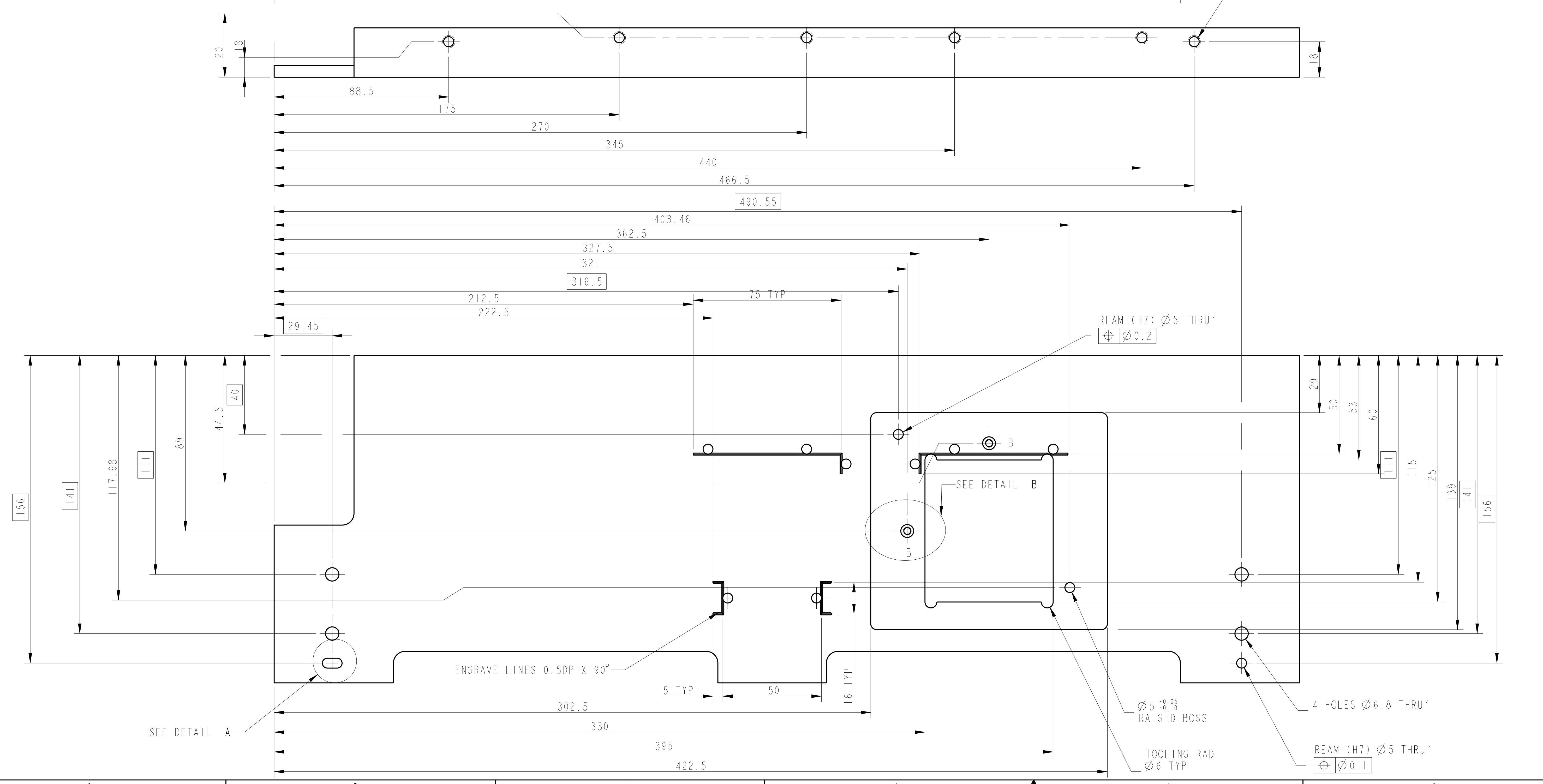
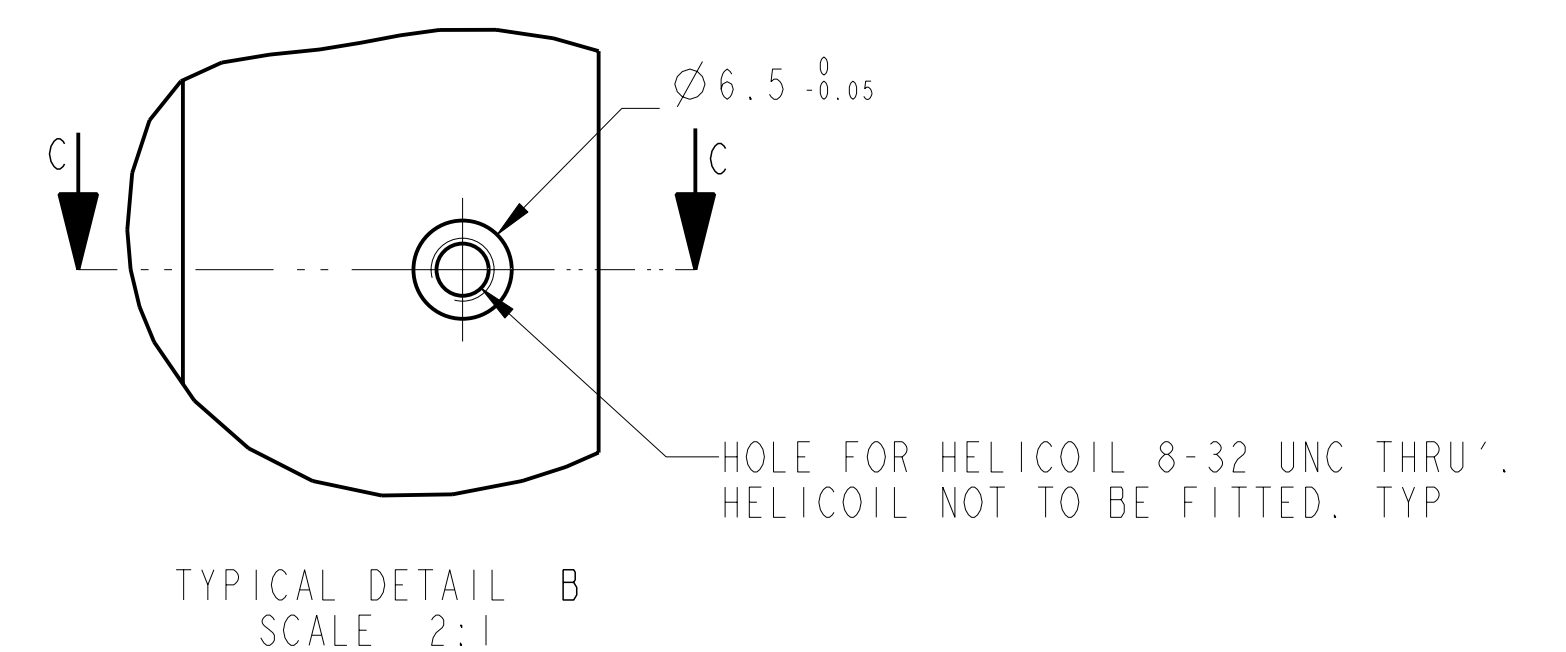
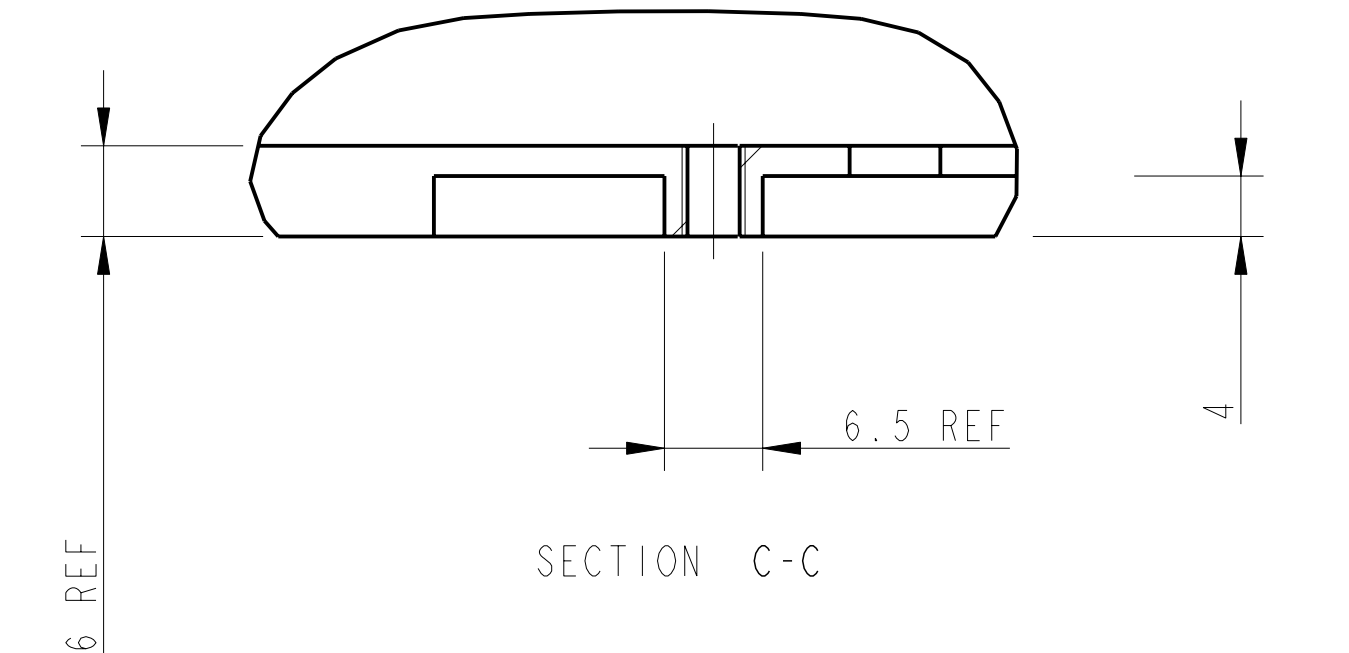
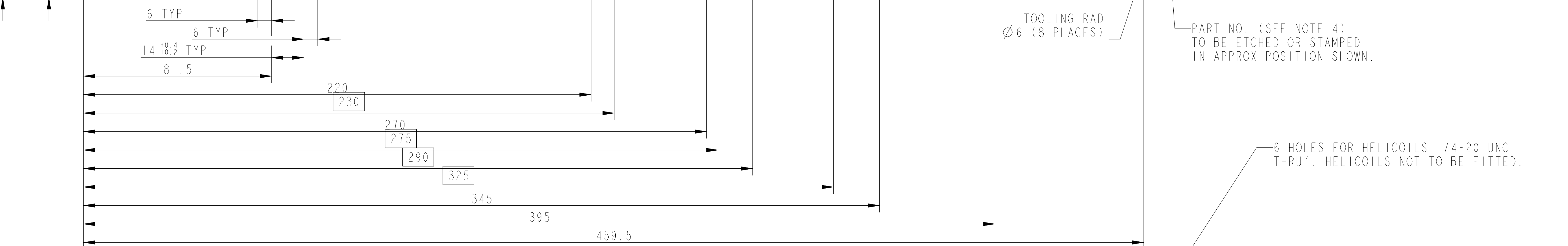
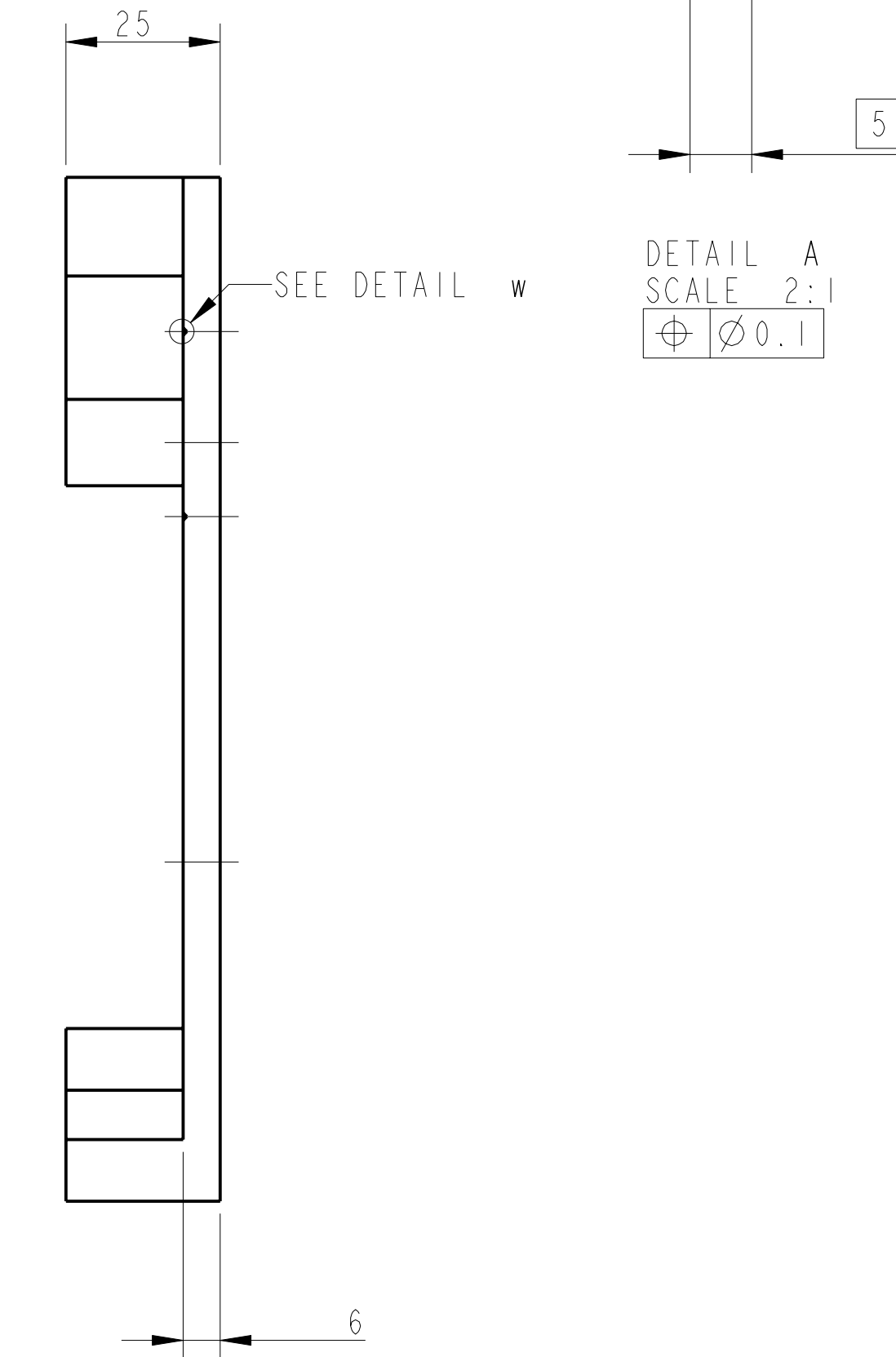
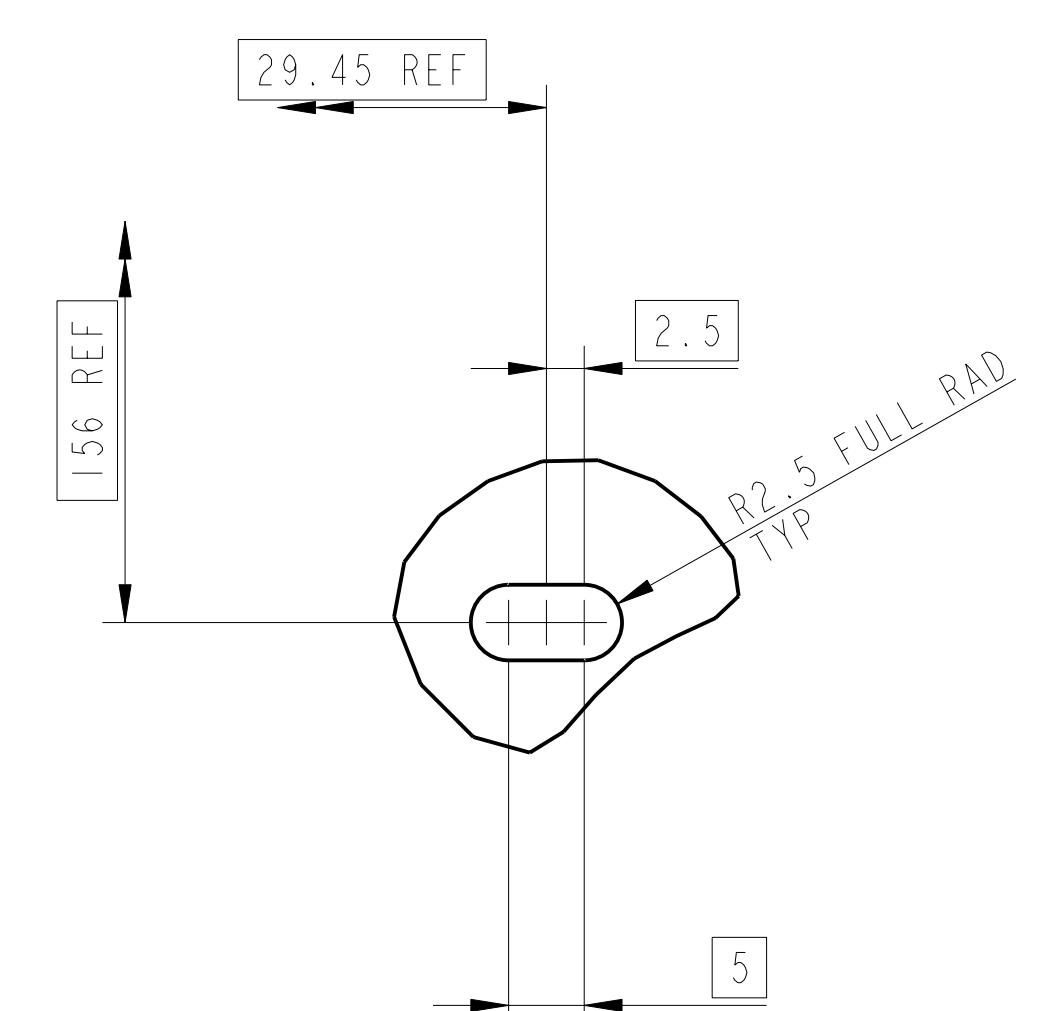
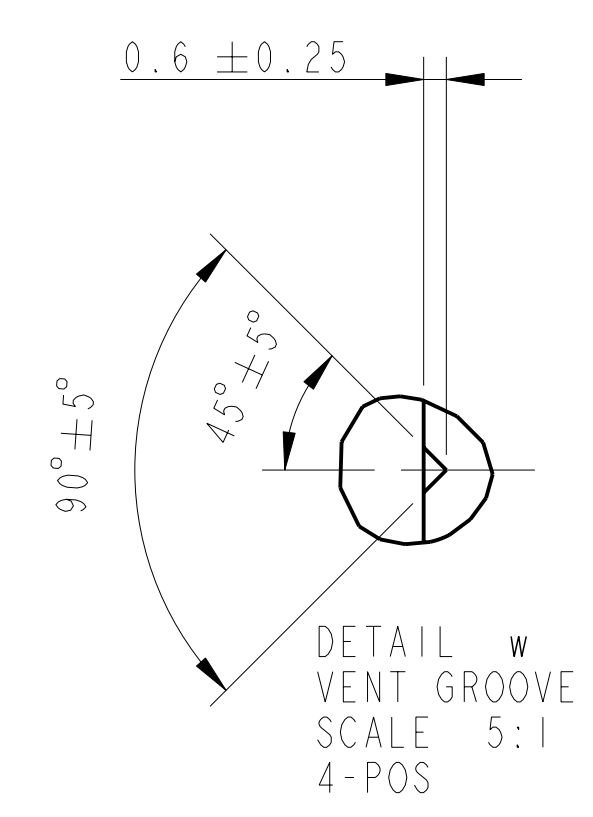
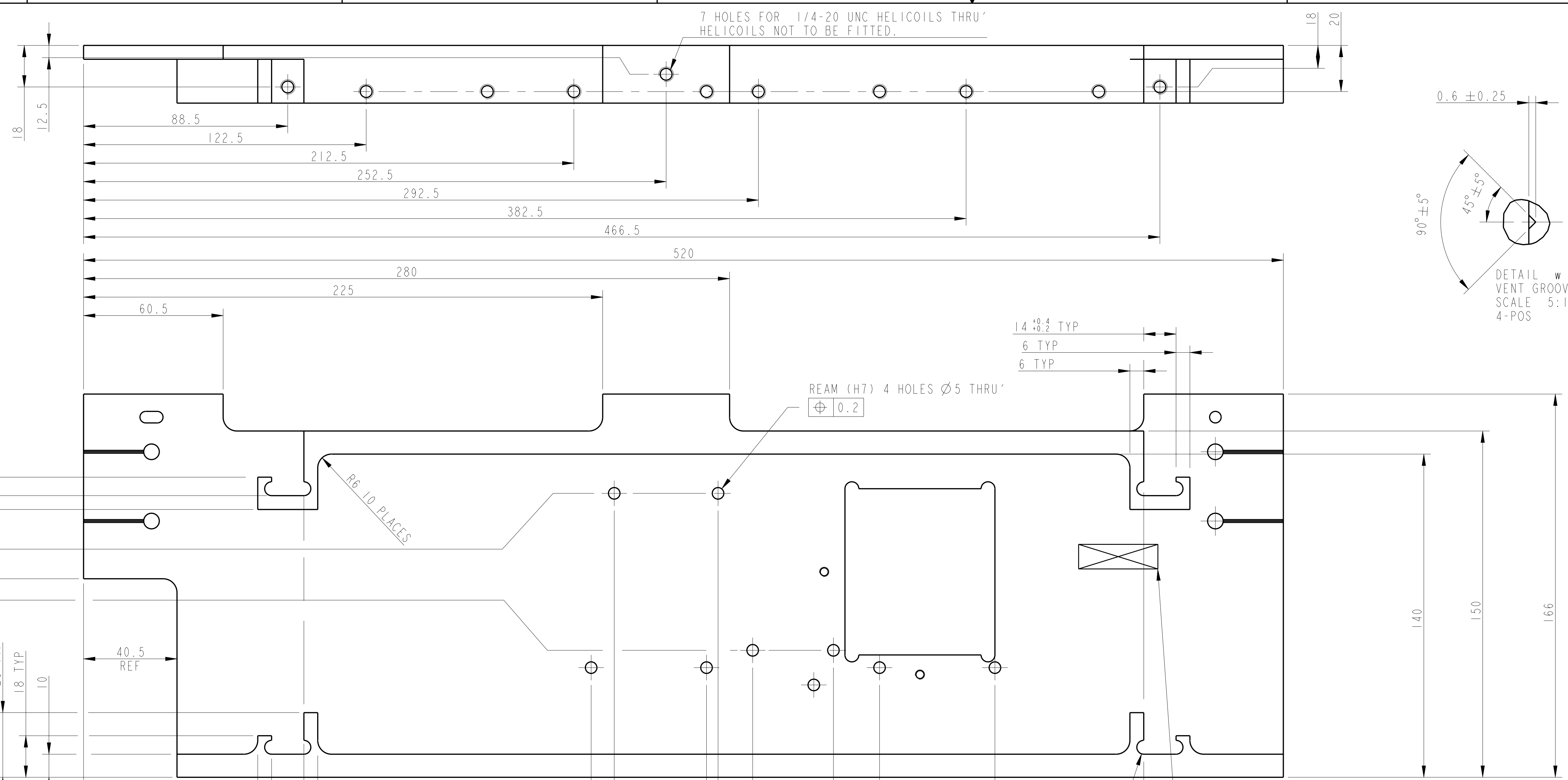


REV.	DATE	DCN #	DRAWING TREE #
A	13/OCT/04	ES06239	
B	19/DEC/07	ES06239-B	
D	07/JUL/08	ES06239	



NOTES: UNLESS OTHERWISE SPECIFIED:

- REMOVE ALL SHARP EDGES.
- DO NOT SCALE FROM DRAWING.
- ALL DIMENSIONS ARE IN MM UNLESS OTHERWISE SPECIFIED.
- ALL WORKING DIMENSIONS SHALL BE SHOWN TO THE FINEST DEGREE OF ACCURACY, UNLESS OTHERWISE SPECIFIED.
- SEE DETAIL B FOR LOCATION OF HOLES.
- SEE DETAIL A FOR LOCATION OF HOLES.
- SEE DETAIL W FOR LOCATION OF HOLES.
- SEE DETAIL C FOR LOCATION OF HOLES.
- SEE DETAIL D FOR LOCATION OF HOLES.
- SEE DETAIL E FOR LOCATION OF HOLES.
- SEE DETAIL F FOR LOCATION OF HOLES.
- SEE DETAIL G FOR LOCATION OF HOLES.
- SEE DETAIL H FOR LOCATION OF HOLES.
- SEE DETAIL I FOR LOCATION OF HOLES.
- SEE DETAIL J FOR LOCATION OF HOLES.
- SEE DETAIL K FOR LOCATION OF HOLES.
- SEE DETAIL L FOR LOCATION OF HOLES.
- SEE DETAIL M FOR LOCATION OF HOLES.
- SEE DETAIL N FOR LOCATION OF HOLES.
- SEE DETAIL O FOR LOCATION OF HOLES.
- SEE DETAIL P FOR LOCATION OF HOLES.
- SEE DETAIL Q FOR LOCATION OF HOLES.
- SEE DETAIL R FOR LOCATION OF HOLES.
- SEE DETAIL S FOR LOCATION OF HOLES.
- SEE DETAIL T FOR LOCATION OF HOLES.
- SEE DETAIL U FOR LOCATION OF HOLES.
- SEE DETAIL V FOR LOCATION OF HOLES.
- SEE DETAIL W FOR LOCATION OF HOLES.
- SEE DETAIL X FOR LOCATION OF HOLES.
- SEE DETAIL Y FOR LOCATION OF HOLES.
- SEE DETAIL Z FOR LOCATION OF HOLES.

DATE	BY	CHKD	APP'D	TITLE
13/OCT/04				ADVANCED LIGO
19/DEC/07				ADVANCED LIGO
07/JUL/08				ADVANCED LIGO