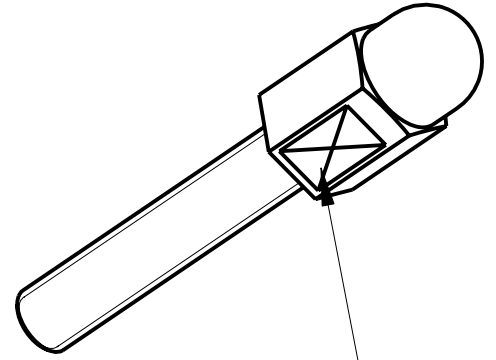
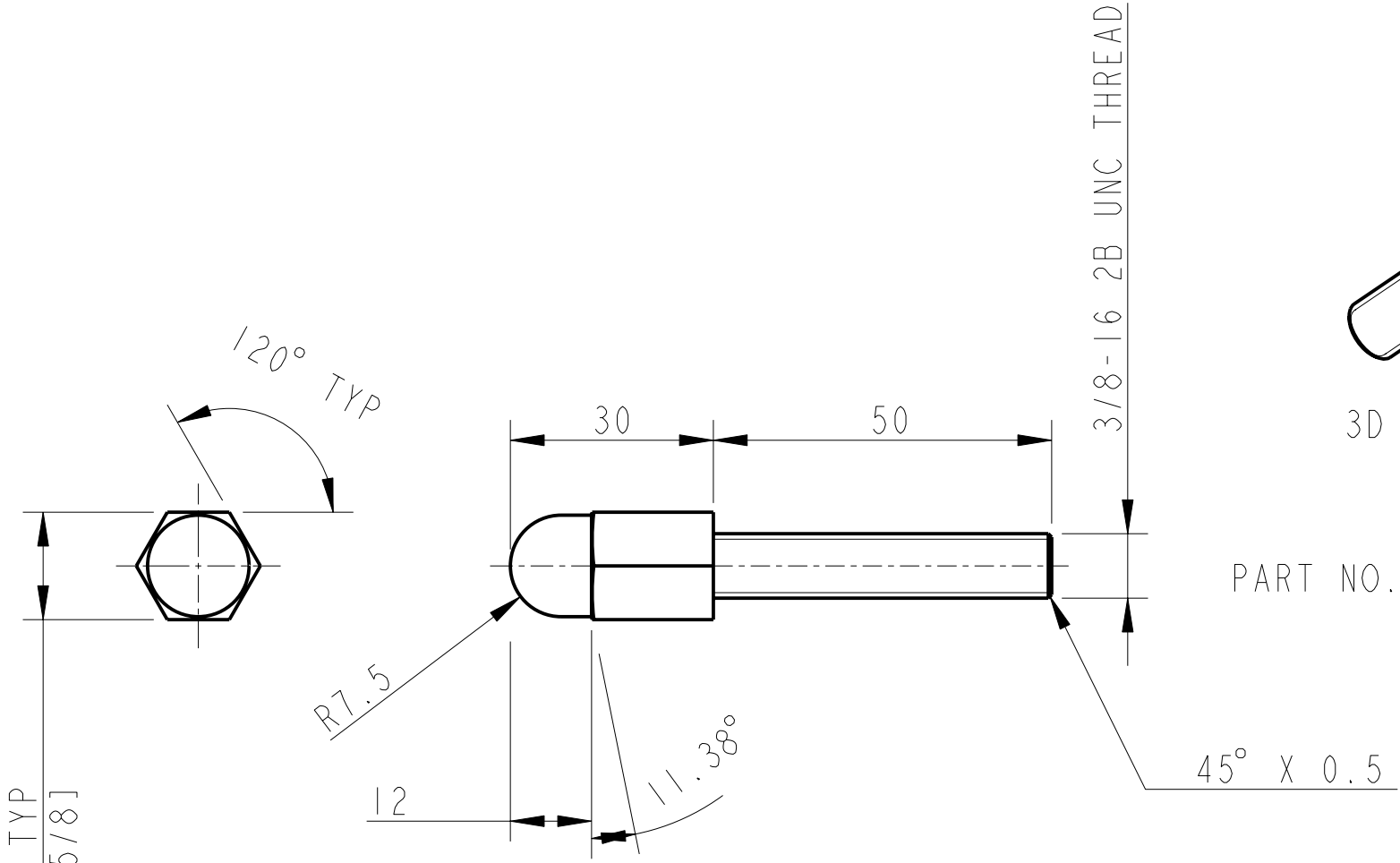



| | | | |
|------|------------|---------|----------------|
| REV. | DATE | DCN # | DRAWING TREE # |
| A | 13/OCT/06 | E060238 | |
| E | 15/JULY/08 | E080367 | |



3D VIEW

PART NO. SEE NOTE 4

15.875 TYP
[5/8]

| | | | |
|---|----------|--|------------|
| NOTES: (UNLESS OTHERWISE SPECIFIED) | |  CALIFORNIA INSTITUTE OF TECHNOLOGY MASSACHUSETTS INSTITUTE OF TECHNOLOGY IGR, GLASGOW UNIVERSITY GEO 600 GROUP RUTHERFORD APPLETON LABORATORIES | |
| 1. REMOVE ALL SHARP EDGES, R.02 MIN. 2. DO NOT SCALE FROM DRAWING. 3. ALL MACHINING FLUIDS SHALL BE WATER SOLUBLE AND FREE OF SULFUR, CHLORINE AND SILICONE, SUCH AS CINCINNATI MILACRON'S CIMTECH 410 (STAINLESS STEEL) 4. SCRIBE, ENGRAVE OR STAMP DRAWING PARTNUMBER ON NOTED SURFACE OF PART AND A THREE DIGIT SERIAL NUMBER. SERIAL NUMBERS START AT 001 FOR THE FIRST PART AND PROCEED CONSECUTIVELY. USE .07" HIGH CHARACTERS. EXAMPLE: D020188- 001. A VIBRATORY TOOL MAY BE USED. | | DIMENSIONS ARE IN mm [INCHES] TOLERANCES: X.XX ±0.25 mm ANGULAR ±0.5° | |
| MATERIAL: | | ST STEEL 304/316 | |
| FINISH: | | CLEAN | |
| √μm [μin] | | Ra = 1.6 [63] | |
| | NAME | DATE | |
| DRAWN | I WILMUT | 5/OCT/06 | |
| CHECKED | AJB | 5MAY08 | |
| APPROVED | AJB | 15/JULY/08 | |
| SIZE | DRG. NO. | | REV |
| A | D060331 | | E |
| SCALE 1:1 | | PROJECTION: | SHEET 1 OF |