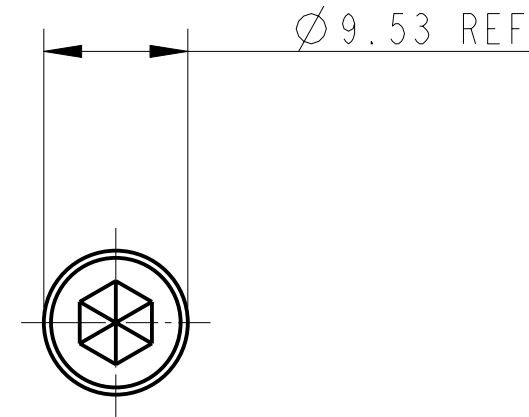
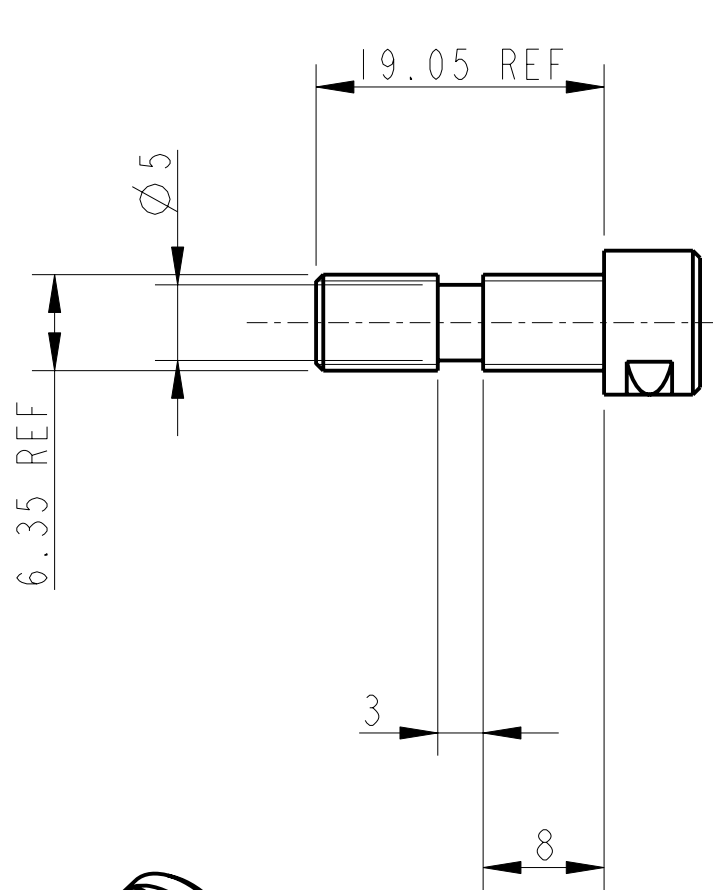
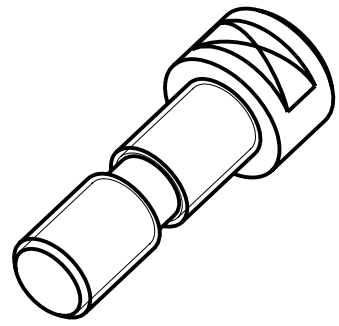


REV.	DATE	DCN #	DRAWING TREE #
A	18/OCT/06	E060247	
B	19/DEC/07	E060247-B	
J	21/JULY/08	E080371	



MANUFACTURE FROM :-
 1/4"-20 UNC X 0.75
 SOCKET HEAD CAP SCREW



3-D VIEW

NOTES: (UNLESS OTHERWISE SPECIFIED)			CALIFORNIA INSTITUTE OF TECHNOLOGY MASSACHUSETTS INSTITUTE OF TECHNOLOGY 1GR, GLASGOW UNIVERSITY GEO 600 GROUP RUTHERFORD APPLETON LABORATORIES	
1. REMOVE ALL SHARP EDGES, R.02 MIN. 2. DO NOT SCALE FROM DRAWING. 3. ALL MACHINING FLUIDS SHALL BE WATER SOLUBLE AND FREE OF SULFUR, CHLORINE AND SILICONE, SUCH AS CINCINNATI MILACRON'S CIMTECH 410 (STAINLESS STEEL) 4. SCRIBE, ENGRAVE OR STAMP DRAWING PARTNUMBER ON NOTED SURFACE OF PART AND A THREE DIGIT SERIAL NUMBER. SERIAL NUMBERS START AT 001 FOR THE FIRST PART AND PROCEED CONSECUTIVELY. USE .07" HIGH CHARACTERS. EXAMPLE: D020188- 001. A VIBRATORY TOOL MAY BE USED.	DIMENSIONS ARE IN mm [INCHES]		SYSTEM ADVANCED LIGO	
	X.XX ±0.2 mm ANGULAR ±0.25 °		SUB-SYSTEM SUS	
	MATERIAL: ST STEEL 304/316		NEXT ASSY TOP MASS QUAD N-PTYPE	
	FINISH: CLEAN AND DEGREASED Ra = 1.6		PART NAME RECESSED 1/4" 20 UNC X 0.75" CAP HEAD	
	NAME	DATE	SIZE	DRG. NO.
	DRAWN NJS/FEL	11/JULY/06	A	D060335
	CHECKED AJB	9MAY08		
	APPROVED AJB	21/JULY/08		
			SCALE 2:1	PROJECTION:
			SHEET 1 OF	