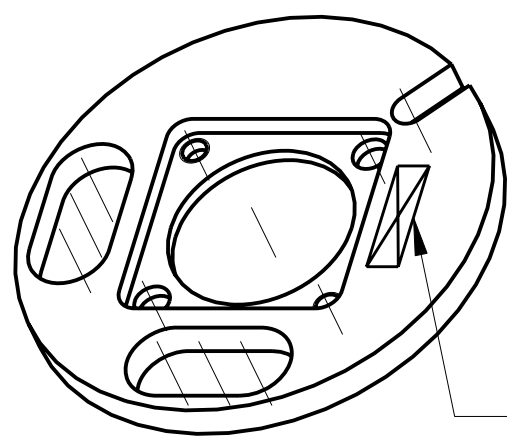
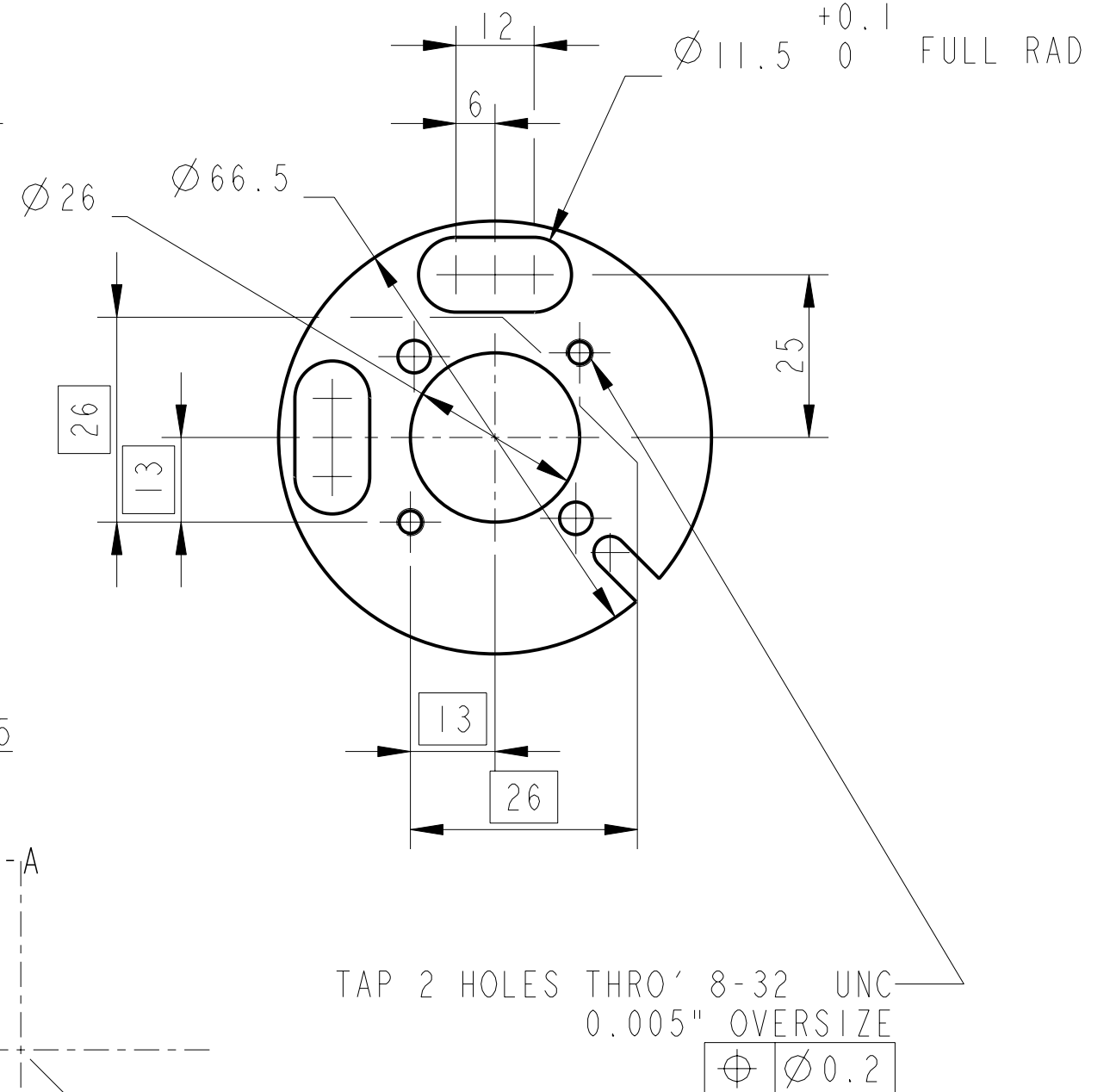
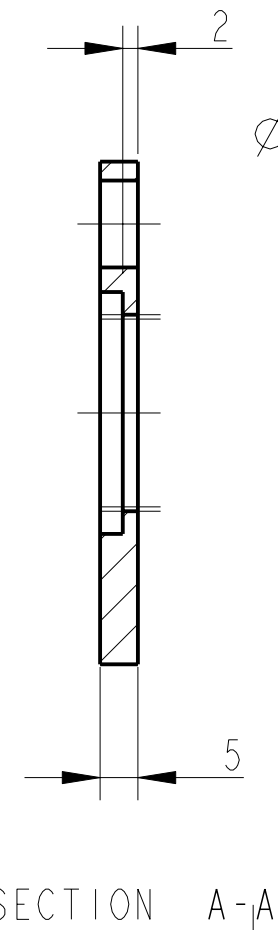
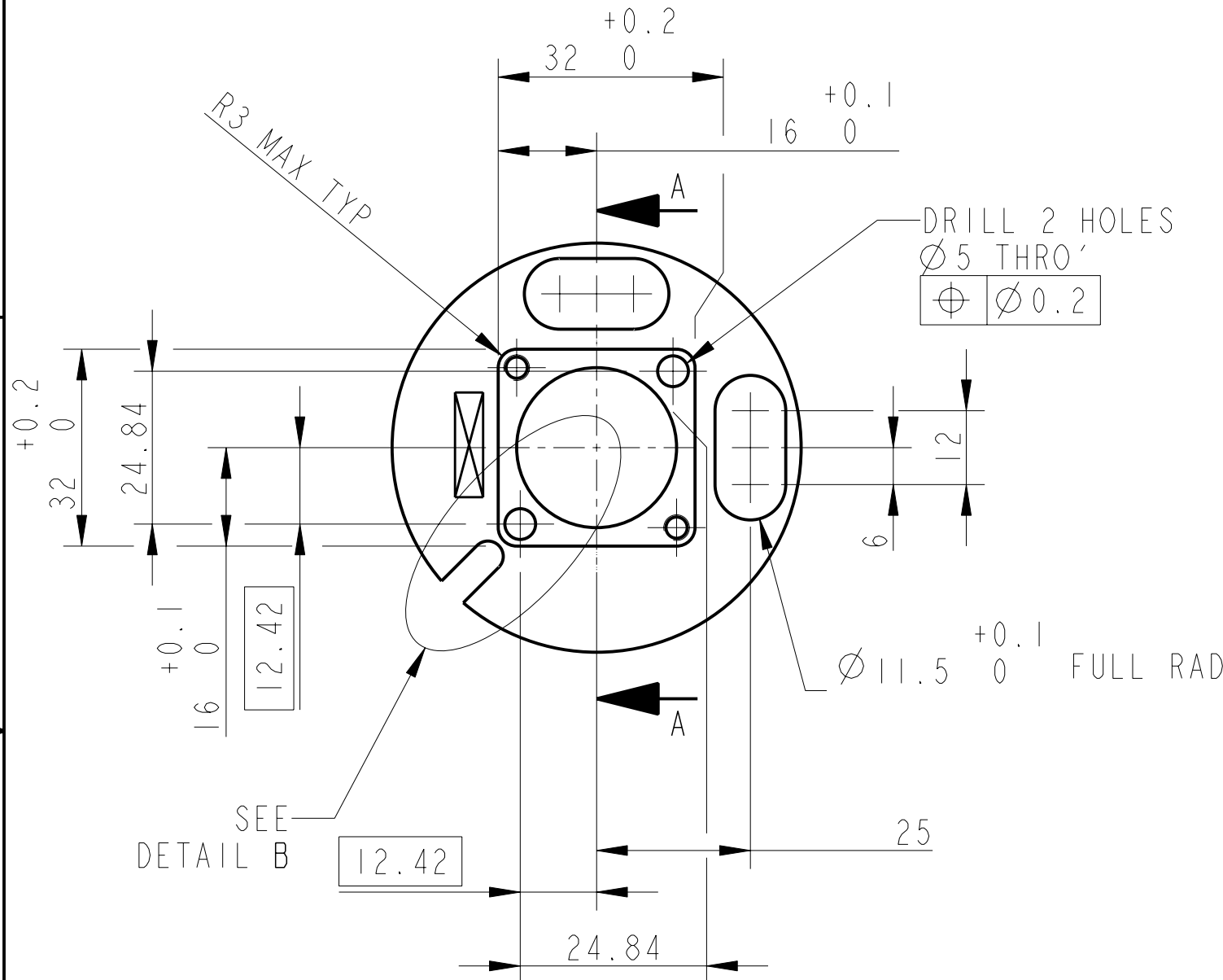
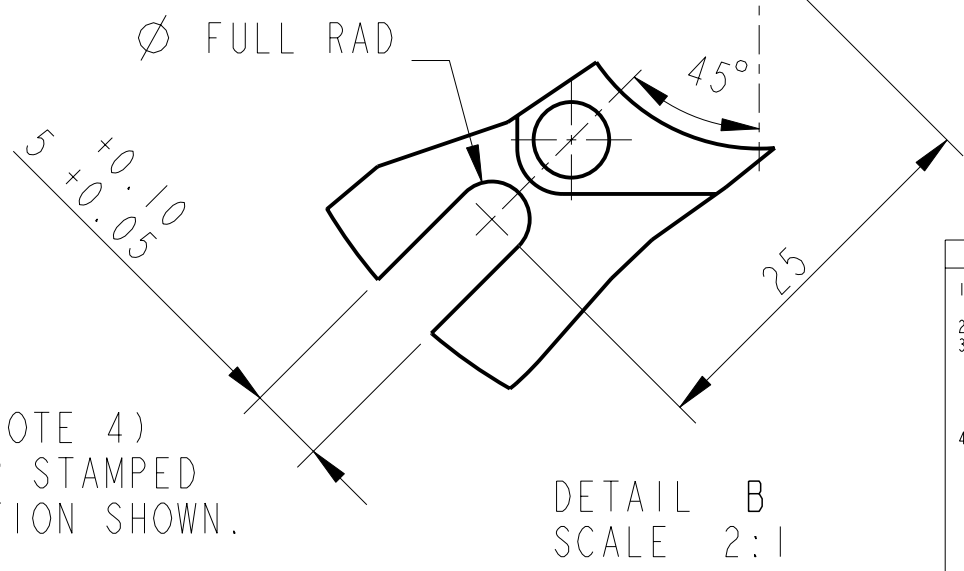


REV.	DATE	DCN #	DRAWING TREE #
A	15/OCT/06	E060240	
B	20/DEC/07	E060240-B	



PART NO. (SEE NOTE 4) TO BE ETCHED OR STAMPED IN APPROX POSITION SHOWN.



NOTES: (UNLESS OTHERWISE SPECIFIED)

- REMOVE ALL SHARP EDGES, R.02 MIN.
- DO NOT SCALE FROM DRAWING.
- ALL MACHINING FLUIDS SHALL BE WATER SOLUBLE AND FREE OF SULFUR, CHLORINE AND SILICONE, SUCH AS CINCINNATI MILACRON'S CIMTECH 410 (STAINLESS STEEL)
- SCRIBE, ENGRAVE OR STAMP DRAWING PART NUMBER ON NOTED SURFACE OF PART AND A THREE DIGIT SERIAL NUMBER. SERIAL NUMBERS START AT 001 FOR THE FIRST PART AND PROCEED CONSECUTIVELY. USE .07" HIGH CHARACTERS. EXAMPLE: D020188- 001. A VIBRATORY TOOL MAY BE USED.

DIMENSIONS ARE IN mm [INCHES]	
TOLERANCES:	
X.XX ±0.2 mm	
ANGULAR ±0.25 °	
MATERIAL: AL ALLOY 5083	
FINISH: CLEAN AND DEGREASED	
√µm [µin] Ra = 1.6	
NAME	DATE
DRAWN J O'DELL	20/SEP/06
CHECKED IW	28/SEP/06
APPROVED IW	28/SEP/06

CALIFORNIA INSTITUTE OF TECHNOLOGY MASSACHUSETTS INSTITUTE OF TECHNOLOGY IGR, GLASGOW UNIVERSITY GEO 600 GROUP RUTHERFORD APPLTON LABORATORIES	
SYSTEM	ADVANCED LIGO
SUB-SYSTEM	SUS
NEXT ASSY	PENRE MASS QUAD N-PTYPE
PART NAME	OSEM TRANSLATION PLATE ETM PEN RE MASS CAN
SIZE	B
DRG. NO.	D060348
REV	E
SCALE	1:1
PROJECTION	1
SHEET	1 OF 1