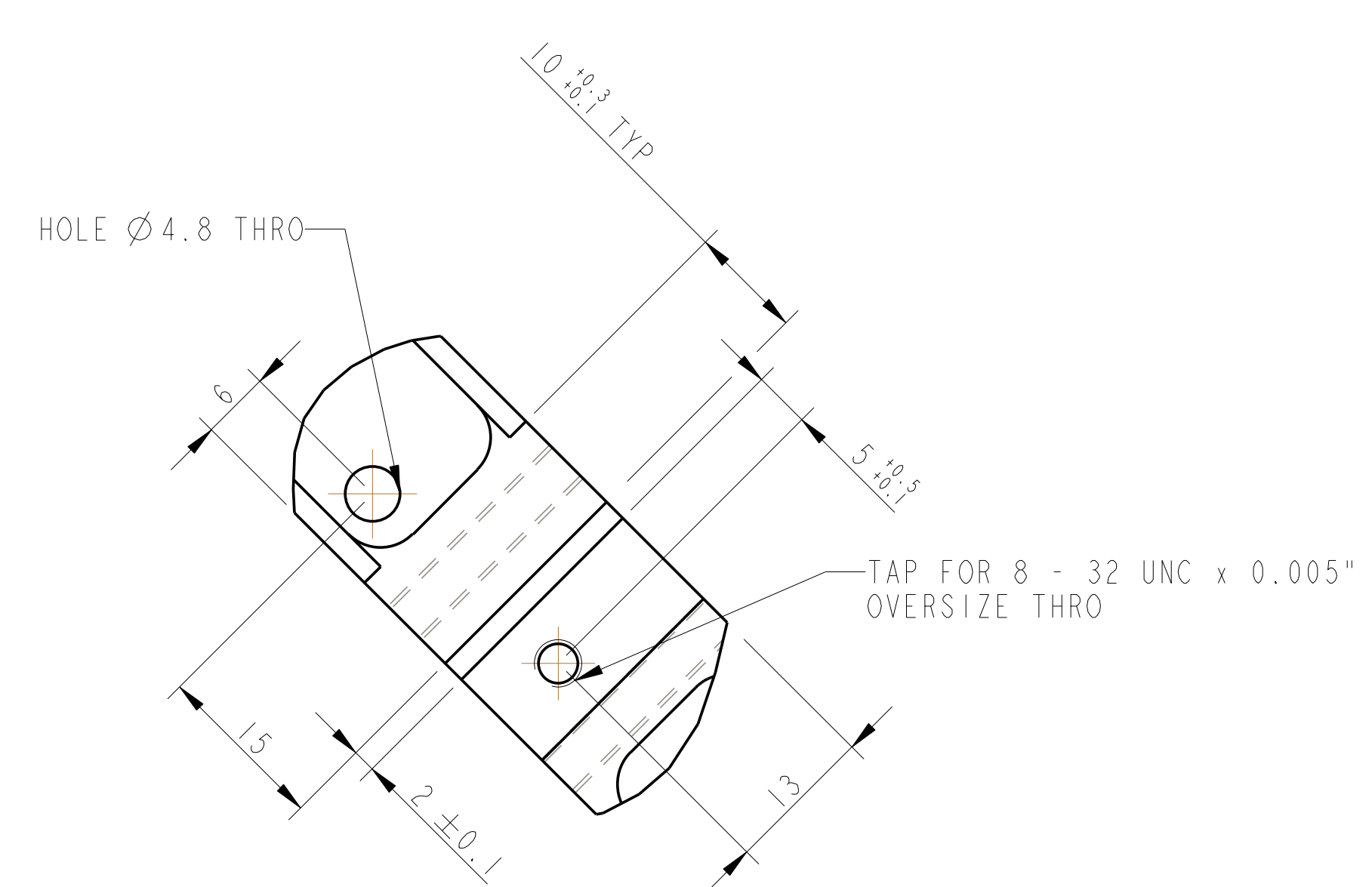
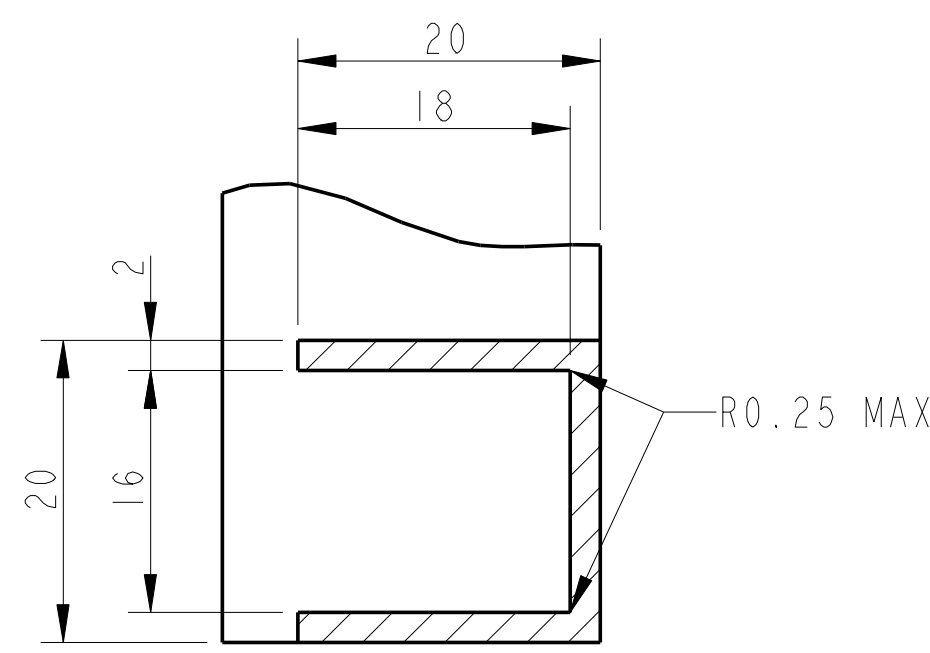


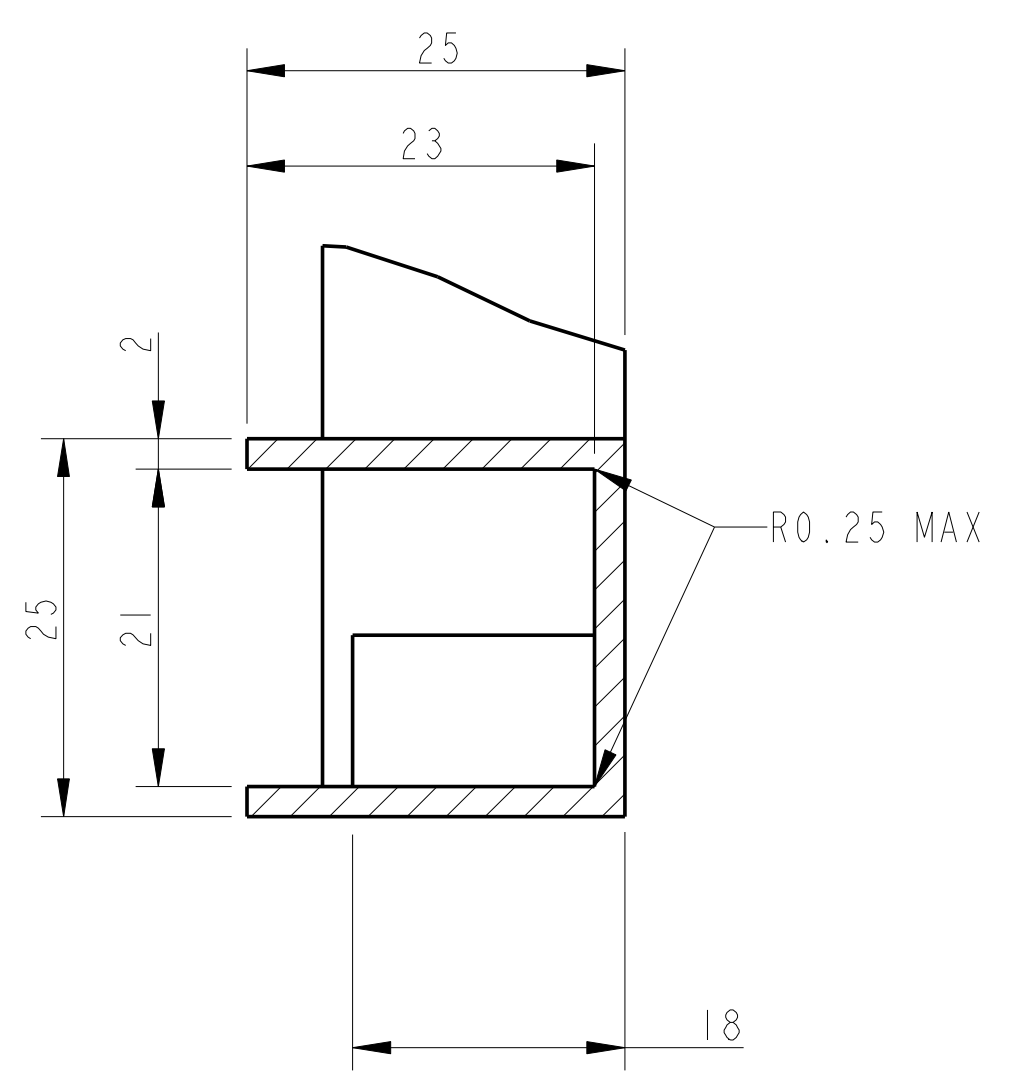
DETAIL U (SEE SHT 1) SCALE 1:1



TYPICAL DETAIL X SHOWING HOLE POSITIONS (TYP 2 PLACES) SCALE 2:1



PARTIAL SECTION V-V SHOWING DEPTH OF SECTION SCALE 2:1



PARTIAL SECTION W-W SHOWING DEPTH OF SECTION SCALE 2:1

| | | | |
|---|---|---|---|
| NOTES: UNLESS OTHERWISE SPECIFIED: | | CALIFORNIA INSTITUTE OF TECHNOLOGY | |
| 1. REMOVE ALL SHARP EDGES. | 2. ALL DIMENSIONS ARE IN INCHES UNLESS OTHERWISE SPECIFIED. | 3. DIMENSIONS ARE IN MM UNLESS OTHERWISE SPECIFIED. | 4. UNLESS OTHERWISE SPECIFIED, DIMENSIONS ARE IN INCHES UNLESS OTHERWISE SPECIFIED. |
| 5. ALL WORKING DIMENSIONS SHALL BE GIVEN TO THE NEAREST 0.005\"/> | | | |