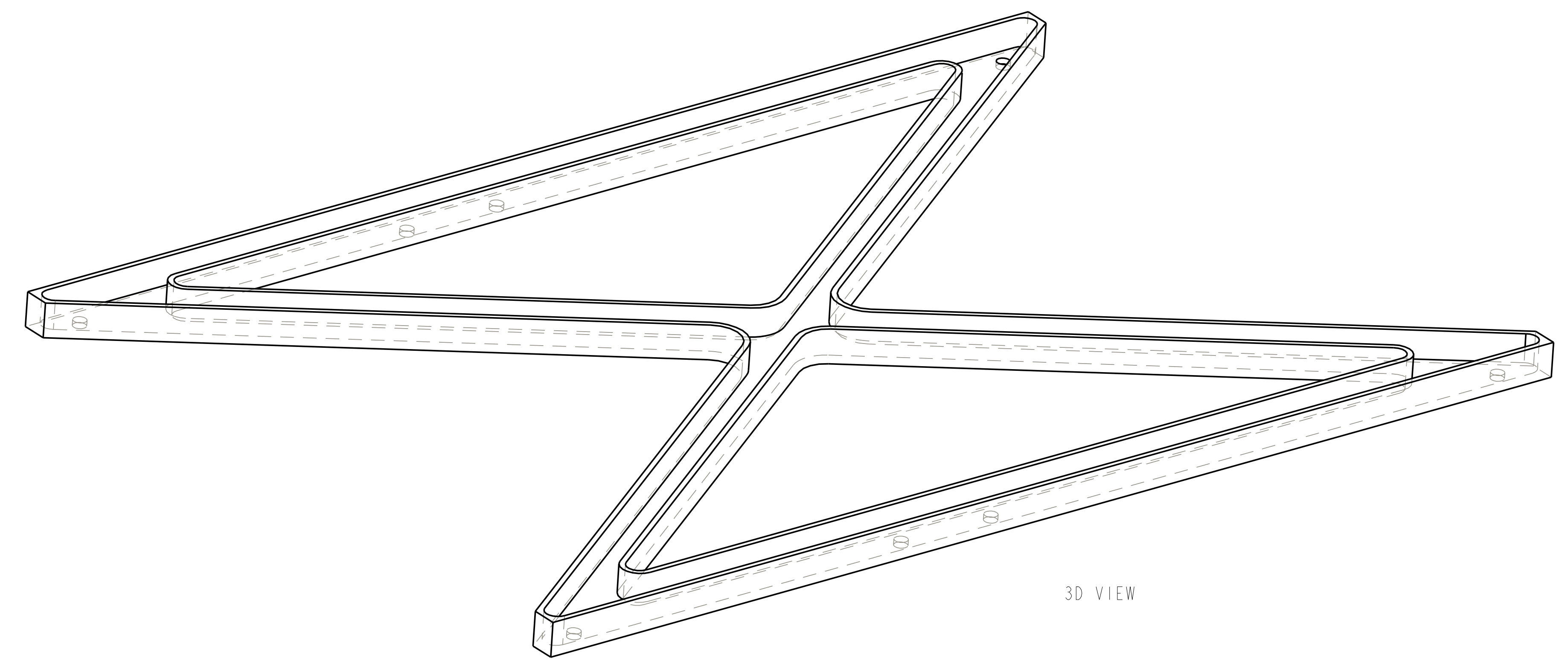
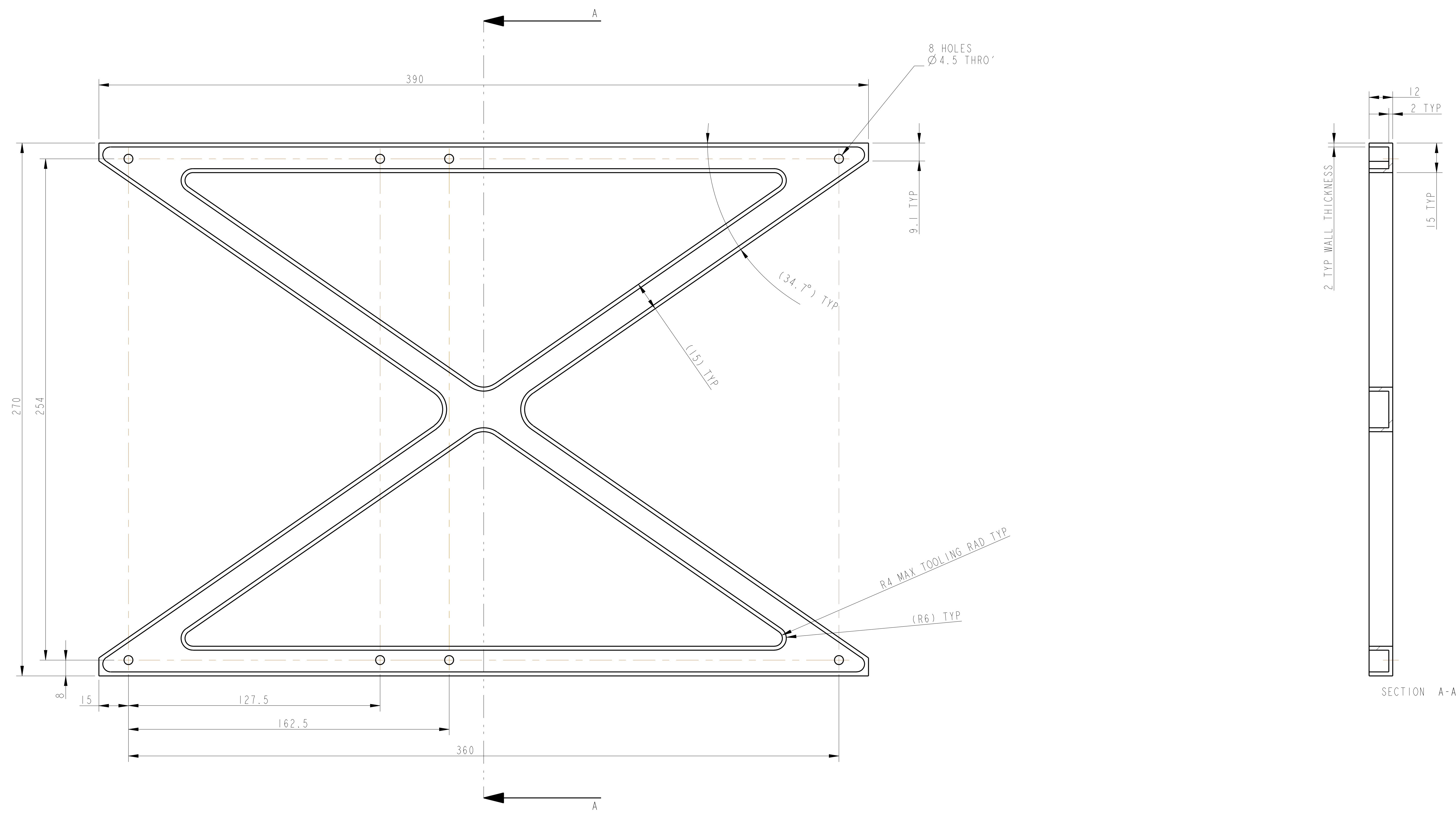


REV.	DATE	BY	CHK.	DRAWING TREE #
A	20-OCT-06	ED06240-B		
B	21-DEC-09	ED06240-B		



NOTES: UNLESS OTHERWISE SPECIFIED:

- REMOVE ALL SHARP EDGES.
- DO NOT SCALE FROM DRAWING.
- ALL DIMENSIONS ARE IN MILLIMETERS UNLESS OTHERWISE SPECIFIED.
- ALL DIMENSIONS ARE IN INCHES UNLESS OTHERWISE SPECIFIED.
- ALL DIMENSIONS ARE IN MILLIMETERS UNLESS OTHERWISE SPECIFIED.
- ALL DIMENSIONS ARE IN INCHES UNLESS OTHERWISE SPECIFIED.
- ALL DIMENSIONS ARE IN MILLIMETERS UNLESS OTHERWISE SPECIFIED.
- ALL DIMENSIONS ARE IN INCHES UNLESS OTHERWISE SPECIFIED.

DATE: 21-DEC-09	BY: ED06240-B	CHK: [Signature]	APP: [Signature]
TITLE: LOWER STRUCTURE X-BRACE	SHEET NO: 1	TOTAL SHEETS: 1	DWG. NO: 000045
PART NAME: LOWER STRUCTURE X-BRACE		SUB-ASSY: QUAD INPTYPE LOWER STRUCTURE	
SYSTEM: ADVANCED LIOO		SUB-SYSTEM: SUS	
MATERIAL: 6061-T6 ALUMINUM		FINISH: CLEAR	
TOLERANCE: ±0.125		SURFACE: 32	
DRAFTER: [Signature]		CHECKER: [Signature]	
DESIGNED BY: [Signature]		APPROVED BY: [Signature]	
DATE: 21-DEC-09		TIME: 10:00 AM	