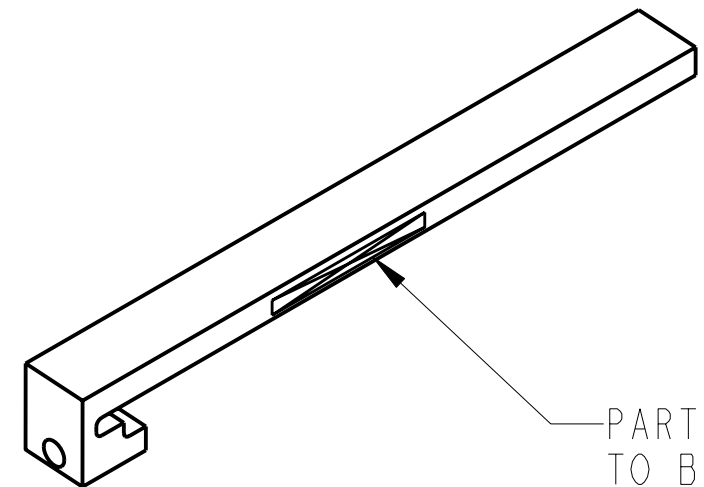
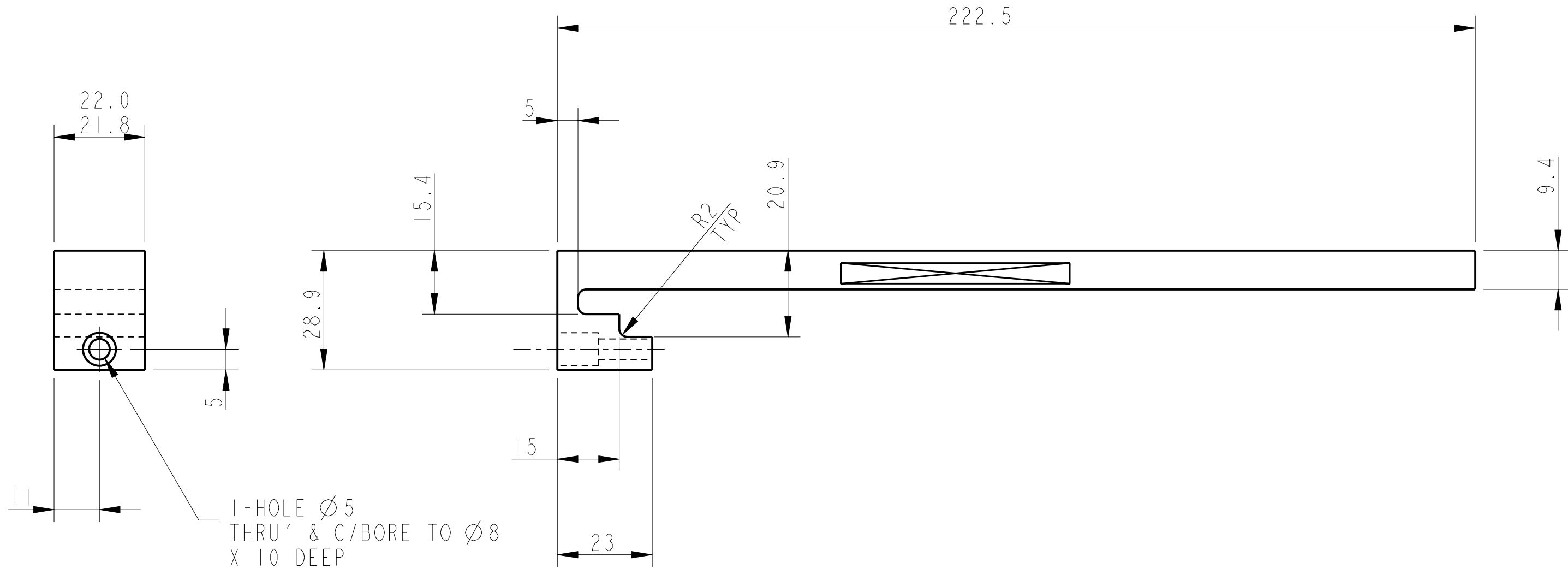


REV.	DATE	DCN #	DRAWING TREE #
A	30-OCT-06	E060260-00	



PART NO. (SEE NOTE 4)  
TO BE ETCHED OR STAMPED  
IN APPROX POSITION SHOWN.

NOTES: (UNLESS OTHERWISE SPECIFIED)

- REMOVE ALL SHARP EDGES, R.02 MIN.
- DO NOT SCALE FROM DRAWING.
- ALL MACHINING FLUIDS SHALL BE WATER SOLUBLE AND FREE OF SULFUR, CHLORINE AND SILICONE, SUCH AS CINCINNATI MILACRON'S CIMTECH 410 (STAINLESS STEEL)
- SCRIBE, ENGRAVE OR STAMP DRAWING PARTNUMBER ON NOTED SURFACE OF PART AND A THREE DIGIT SERIAL NUMBER. SERIAL NUMBERS START AT 001 FOR THE FIRST PART AND PROCEED CONSECUTIVELY. USE .07" HIGH CHARACTERS. EXAMPLE: D020188- 001. A VIBRATORY TOOL MAY BE USED.

DIMENSIONS ARE IN mm [INCHES]  
TOLERANCES:  
X.XX  $\pm 0.2$  mm  
ANGULAR  $\pm 0.25^\circ$

MATERIAL: PFA 440 HP

FINISH: CLEAN  
 $\sqrt{\mu m}$  [ $\mu in$ ]  $R_a = 1.6$

	NAME	DATE
DRAWN	NJS/FEL	13/JULY/06
CHECKED	J'OD	--/--/--
APPROVED	IW	--/--/--

SYSTEM **ADVANCED LIGO**

SUB-SYSTEM **SUS**

NEXT ASSY **QUAD N-PTYPE LOWER STRUCTURE**

PART NAME **TEST CHAIN PACKING PIECE**

SCALE 1:1 PROJECTION: SHEET 1 OF 1

DRG. NO. **D060461** REV **A**