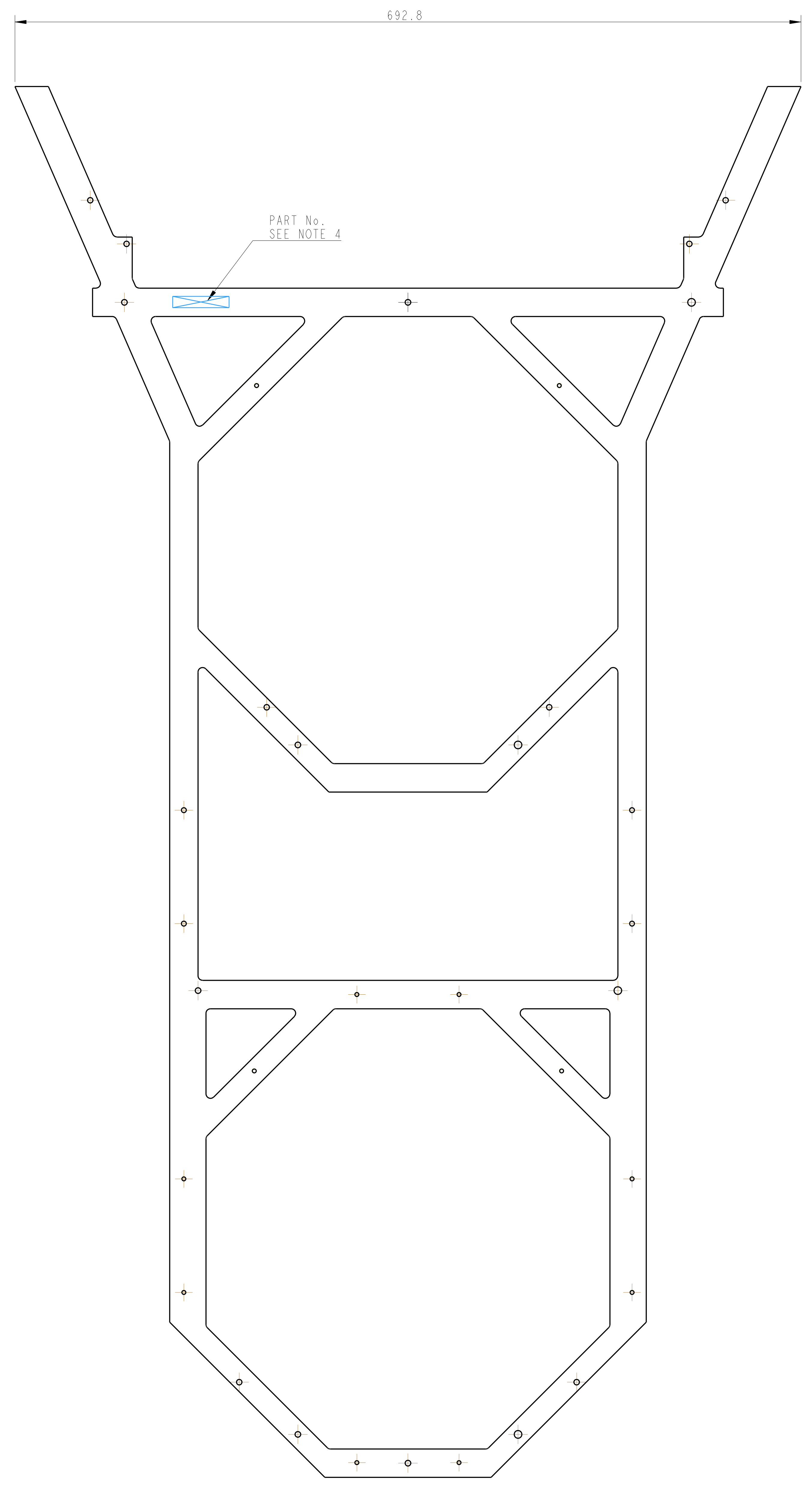
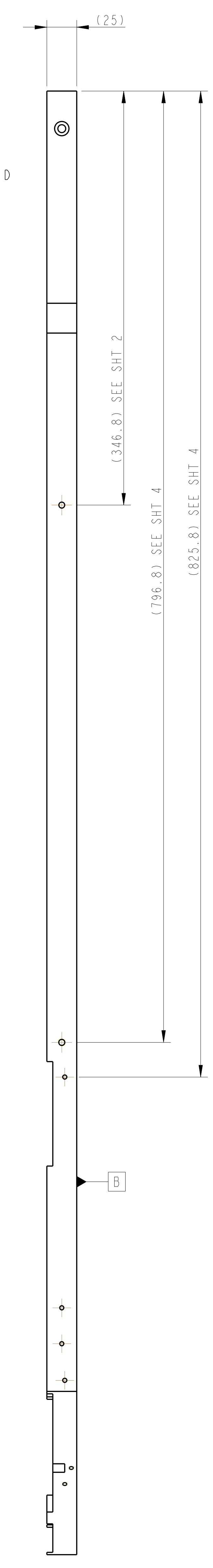
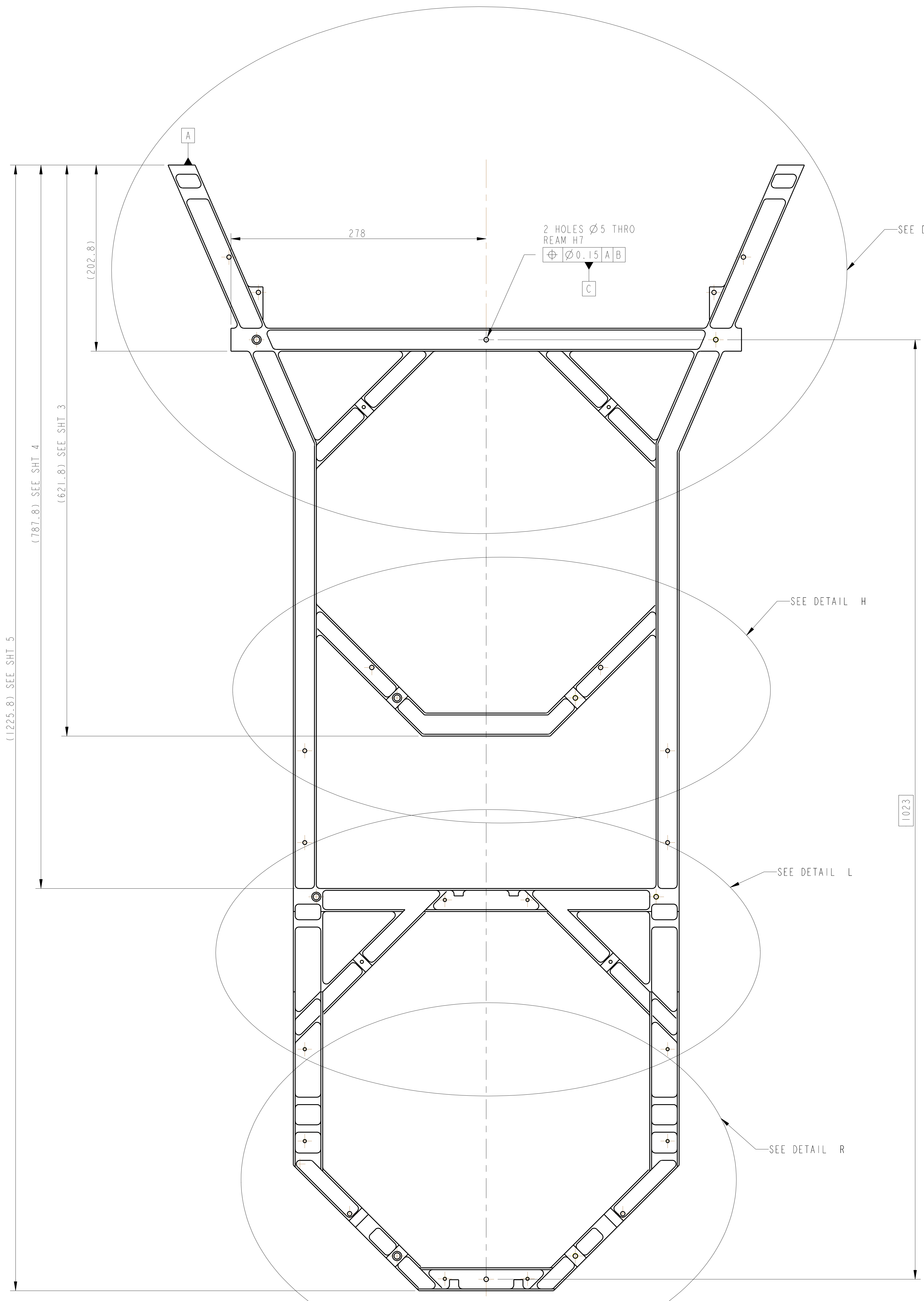


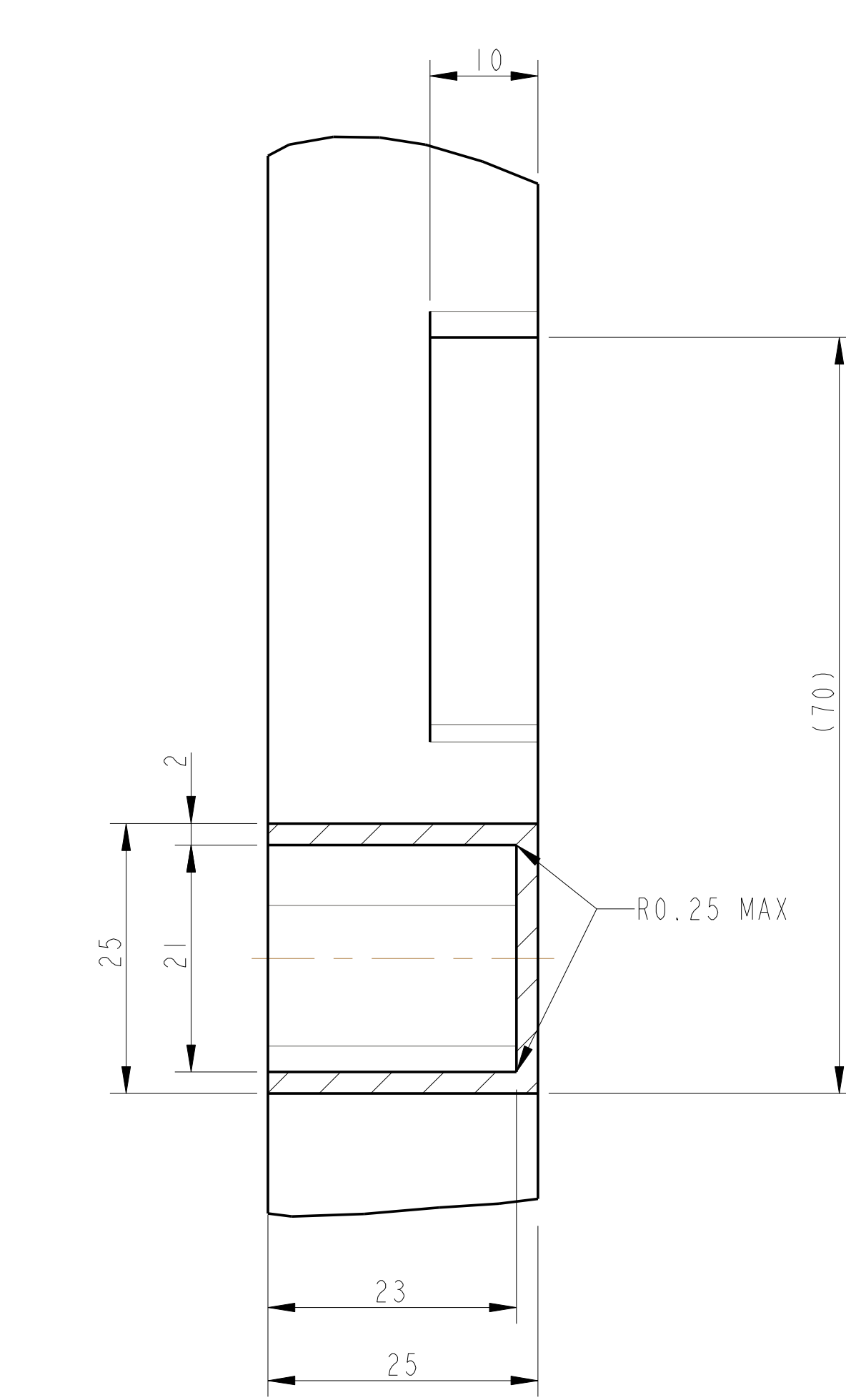
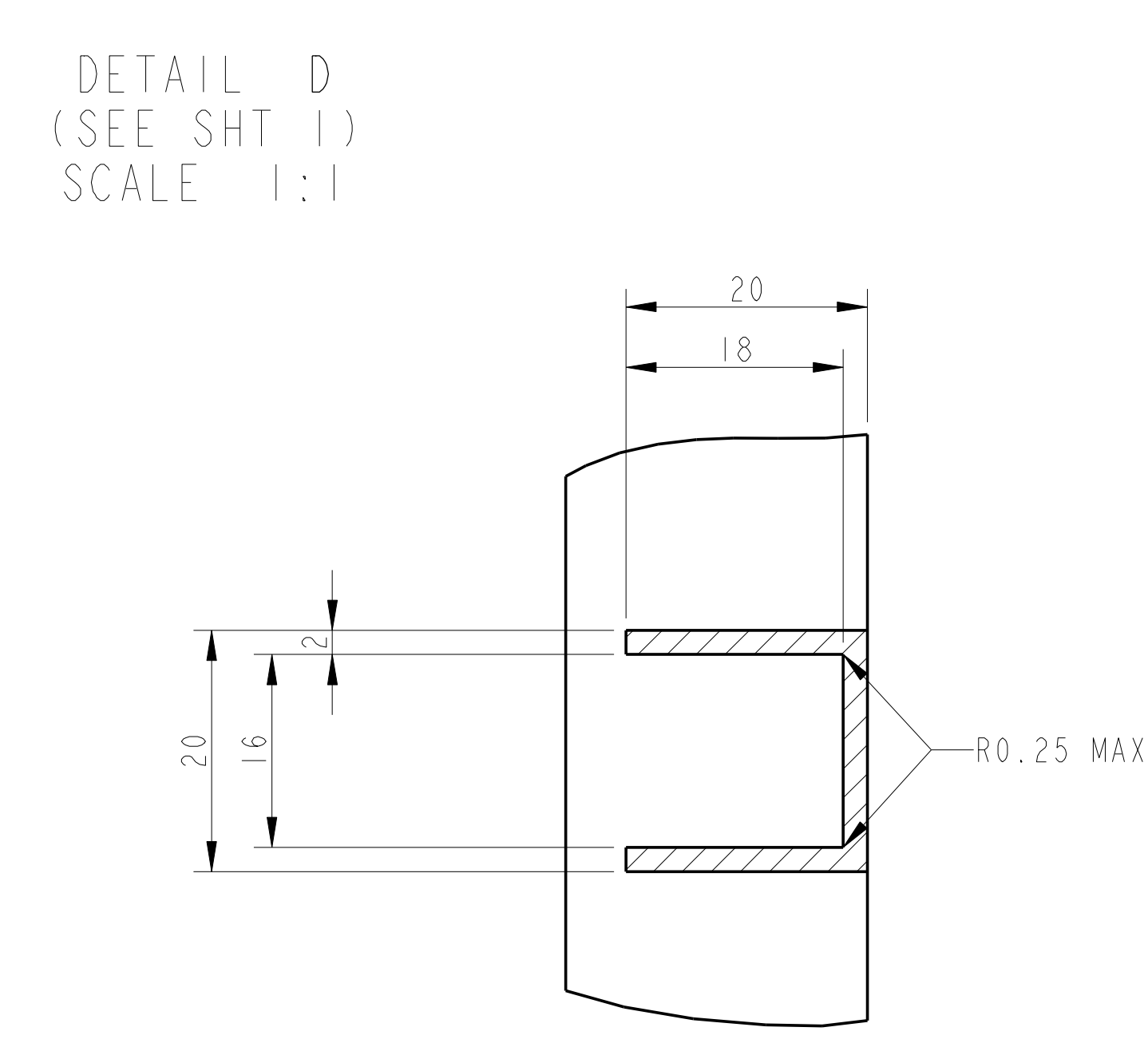
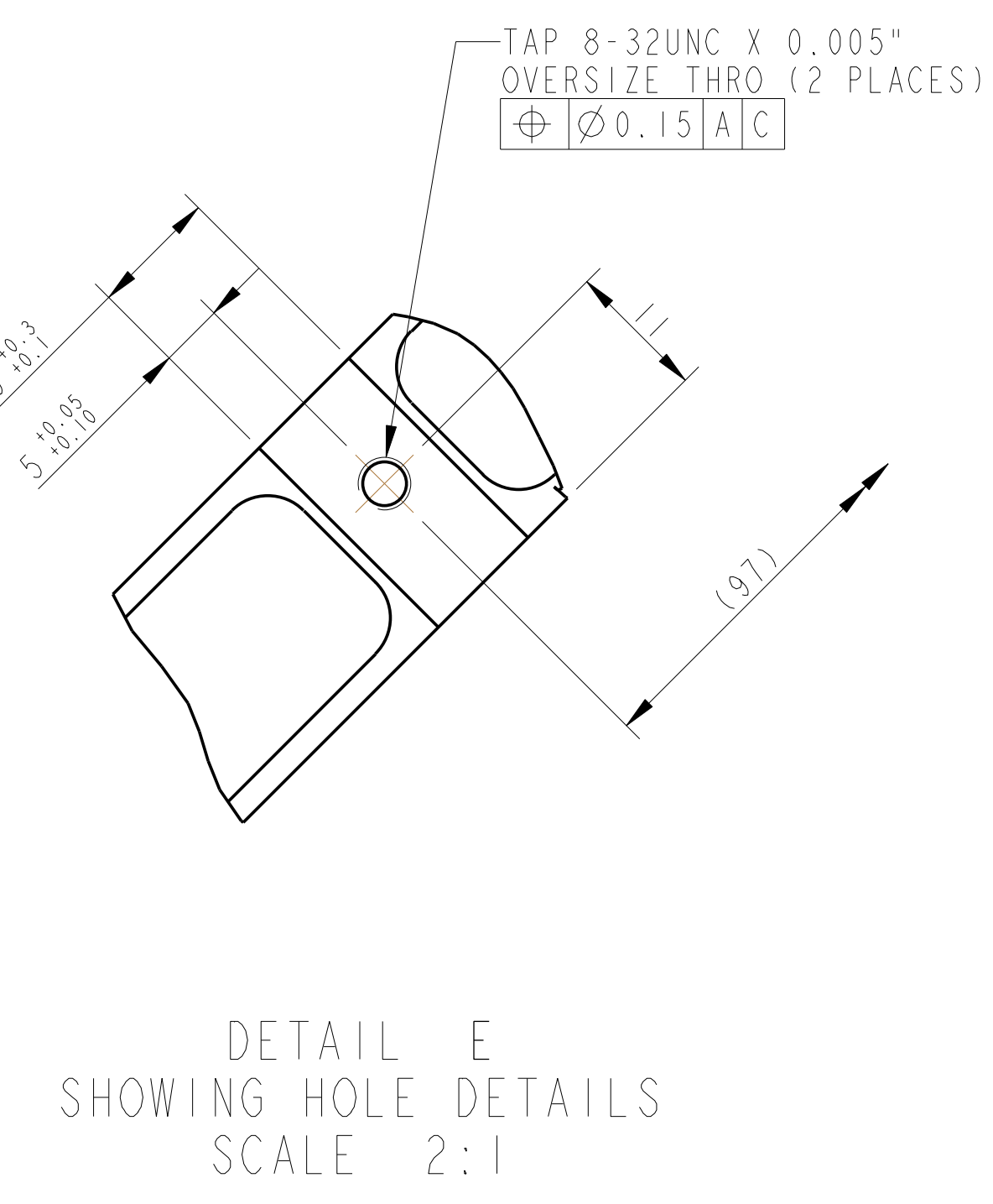
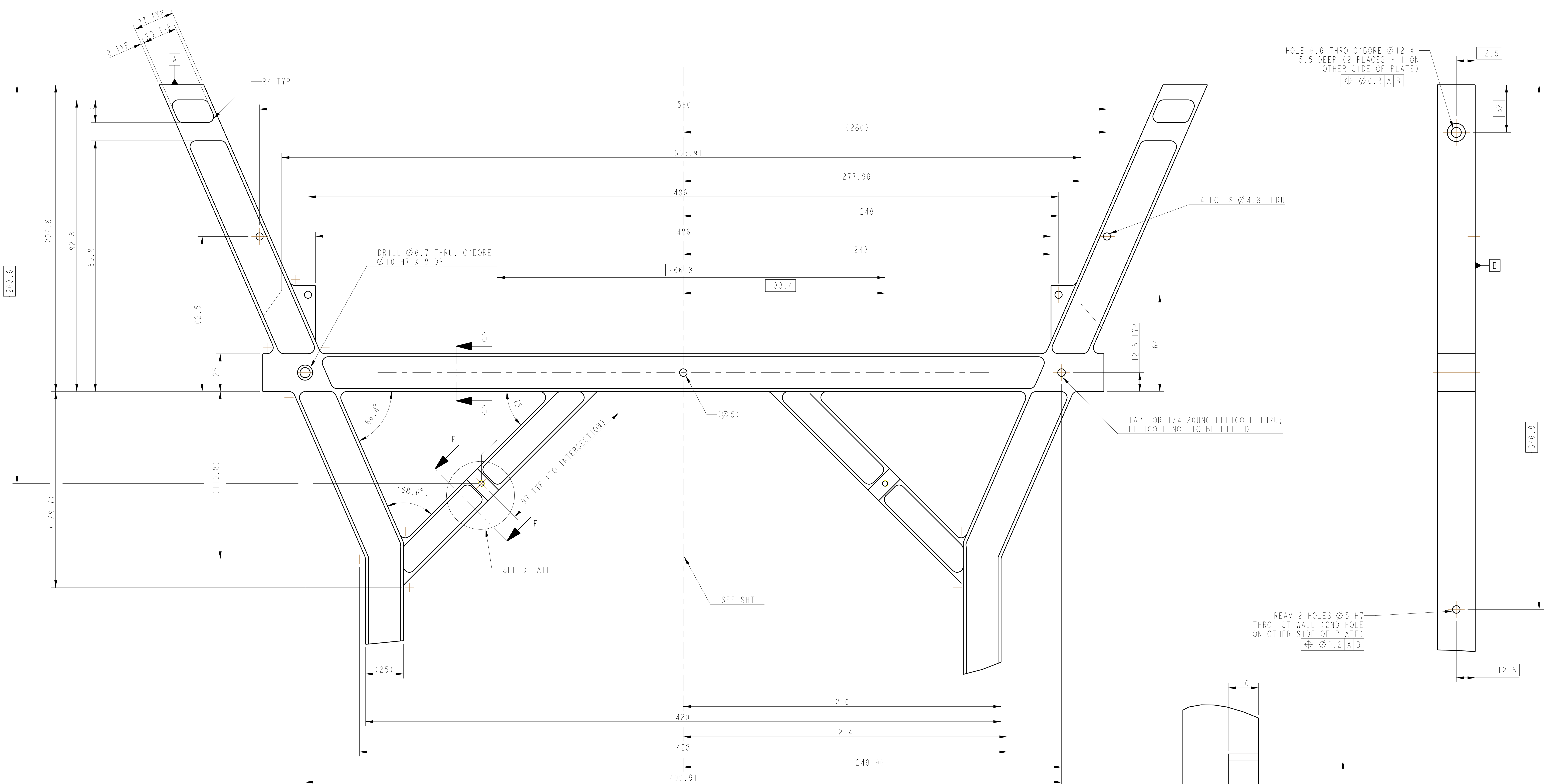
REV	DATE	DCN #	DRAWING TREE #
A	30-OCT-08	ENR040-01	
B	23-OCT-07	ENR040-01	
C	28-JULY-08	ENR040-01	



NOTES: UNLESS OTHERWISE SPECIFIED:

- REMOVE ALL SHARP EDGES.
- DO NOT SCALE FROM DRAWING.
- ALL DIMENSIONS ARE IN MILLIMETERS UNLESS INDICATED OTHERWISE.
- ALL DIMENSIONS ARE TO UNLESS INDICATED OTHERWISE.
- ALL DIMENSIONS ARE TO UNLESS INDICATED OTHERWISE.
- ALL DIMENSIONS ARE TO UNLESS INDICATED OTHERWISE.
- ALL DIMENSIONS ARE TO UNLESS INDICATED OTHERWISE.
- ALL DIMENSIONS ARE TO UNLESS INDICATED OTHERWISE.
- ALL DIMENSIONS ARE TO UNLESS INDICATED OTHERWISE.
- ALL DIMENSIONS ARE TO UNLESS INDICATED OTHERWISE.

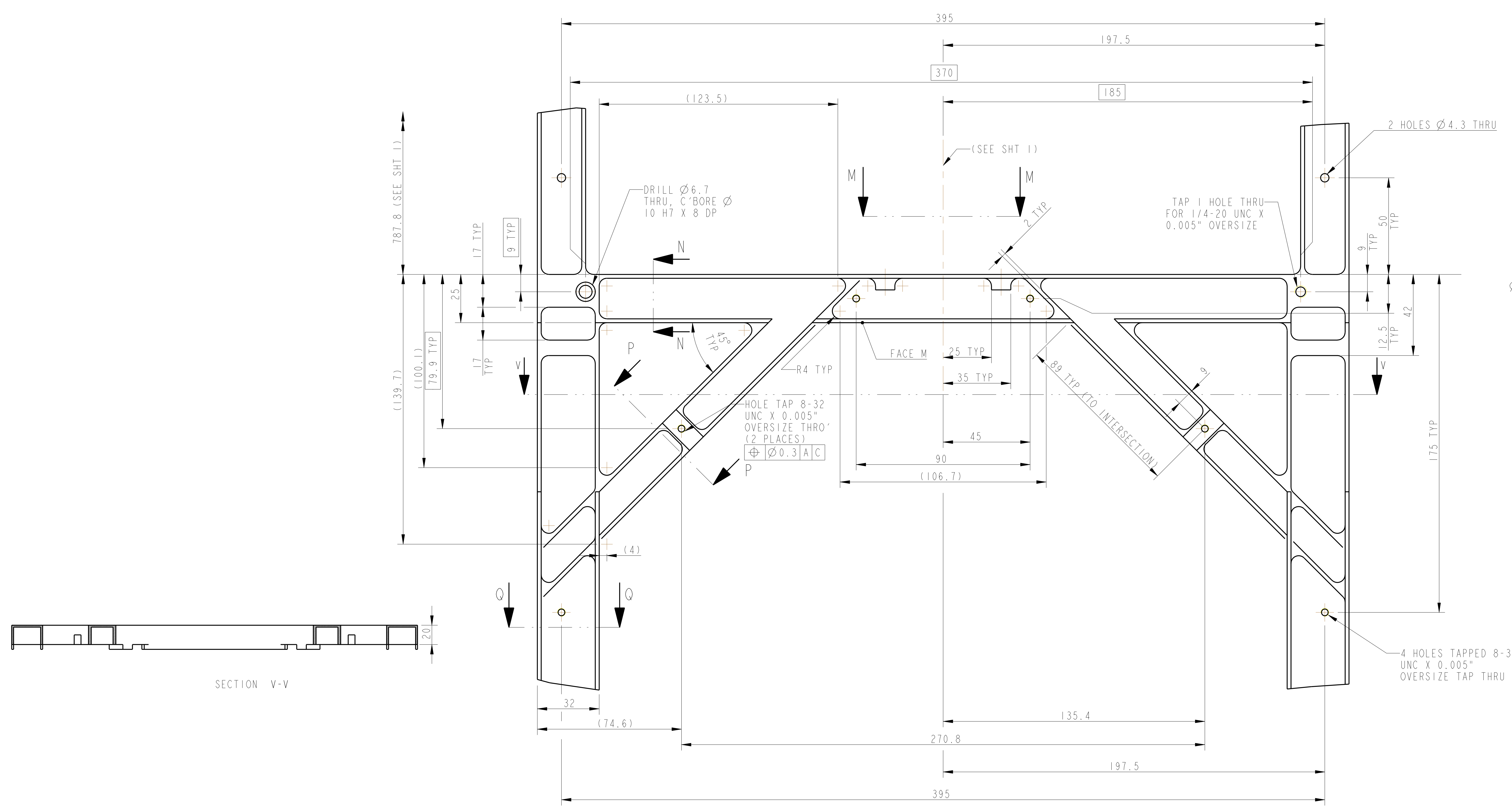
CALIFORNIA INSTITUTE OF TECHNOLOGY
MATERIALS RESEARCH LABORATORY
SYSTEM: ADVANCED LIQO
SUB-SYSTEM: SUS
PART ASSY: QUAD INPTYPE LOWER STRUCTURE
PART NAME: INNER FACE PLATE
LOWER STRUCTURE
DESIGNED BY: C
CHECKED BY: C
DATE: 01-11-08
SCALE: 1:1



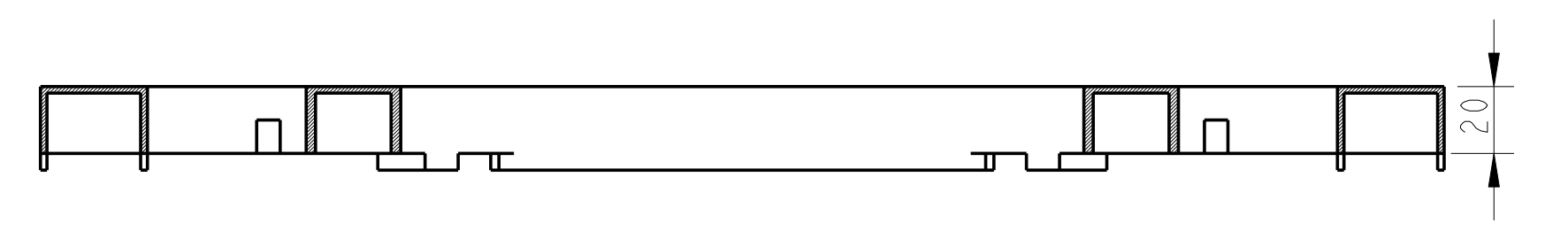
NOTES: UNLESS OTHERWISE SPECIFIED:

- REMOVE ALL SHARP EDGES.
- DO NOT SCALE FROM DRAWING.
- ALL DIMENSIONS ARE IN MILLIMETERS UNLESS OTHERWISE SPECIFIED.
- ALL DIMENSIONS ARE TO BE TAKEN FROM THE UNFINISHED SURFACE UNLESS OTHERWISE SPECIFIED.
- ALL DIMENSIONS ARE TO BE TAKEN FROM THE UNFINISHED SURFACE UNLESS OTHERWISE SPECIFIED.
- ALL DIMENSIONS ARE TO BE TAKEN FROM THE UNFINISHED SURFACE UNLESS OTHERWISE SPECIFIED.
- ALL DIMENSIONS ARE TO BE TAKEN FROM THE UNFINISHED SURFACE UNLESS OTHERWISE SPECIFIED.
- ALL DIMENSIONS ARE TO BE TAKEN FROM THE UNFINISHED SURFACE UNLESS OTHERWISE SPECIFIED.
- ALL DIMENSIONS ARE TO BE TAKEN FROM THE UNFINISHED SURFACE UNLESS OTHERWISE SPECIFIED.
- ALL DIMENSIONS ARE TO BE TAKEN FROM THE UNFINISHED SURFACE UNLESS OTHERWISE SPECIFIED.
- ALL DIMENSIONS ARE TO BE TAKEN FROM THE UNFINISHED SURFACE UNLESS OTHERWISE SPECIFIED.
- ALL DIMENSIONS ARE TO BE TAKEN FROM THE UNFINISHED SURFACE UNLESS OTHERWISE SPECIFIED.
- ALL DIMENSIONS ARE TO BE TAKEN FROM THE UNFINISHED SURFACE UNLESS OTHERWISE SPECIFIED.
- ALL DIMENSIONS ARE TO BE TAKEN FROM THE UNFINISHED SURFACE UNLESS OTHERWISE SPECIFIED.
- ALL DIMENSIONS ARE TO BE TAKEN FROM THE UNFINISHED SURFACE UNLESS OTHERWISE SPECIFIED.

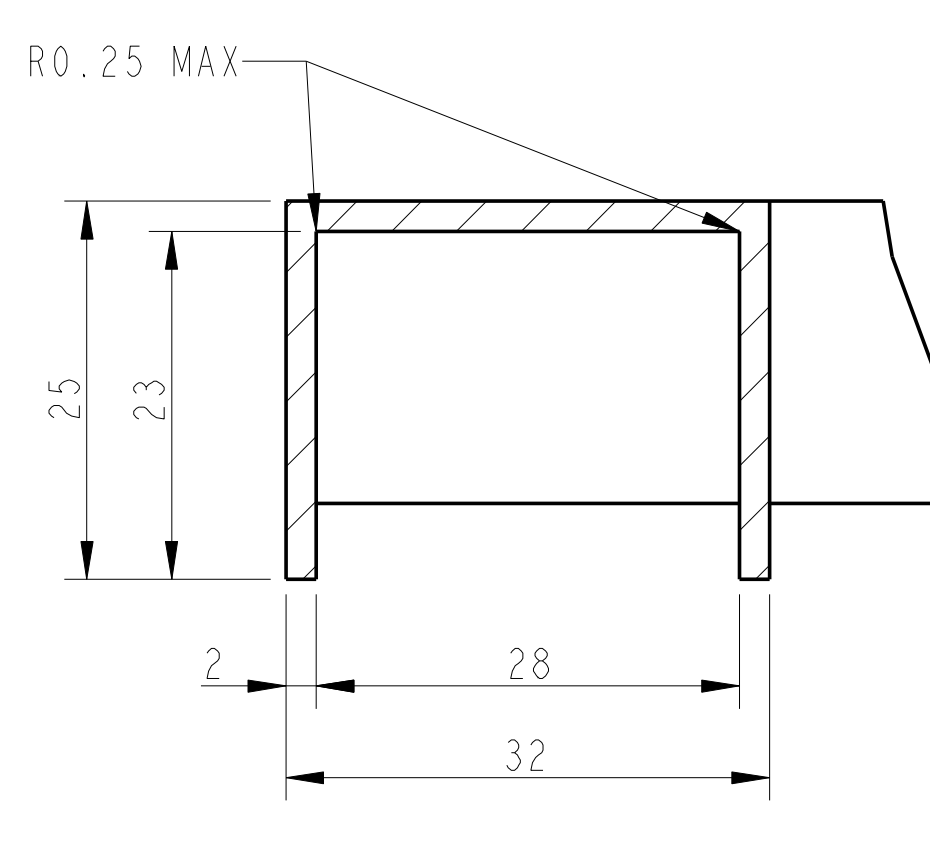
DATE: 12/12/2000	SCALE: 1:1	PROJECT: 001 - 000000	APPROVED: [Signature]
DESIGNED: [Signature]	CHECKED: [Signature]	DATE: 12/12/2000	SCALE: 1:1
CALIFORNIA INSTITUTE OF TECHNOLOGY		ADVANCED LIQO	
PART NAME: INNER FACE PLATE		LOWER STRUCTURE	
PART NO: 000000		REV: 1	



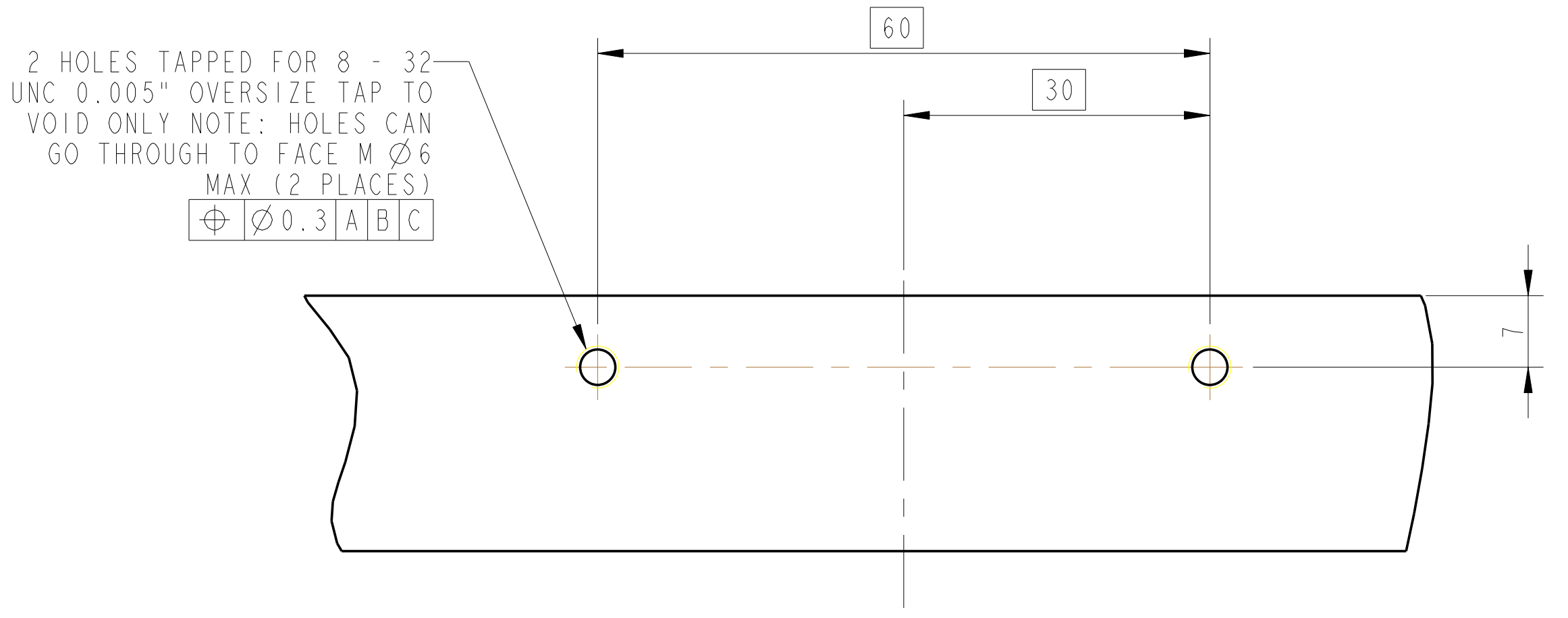
SECTION V-V



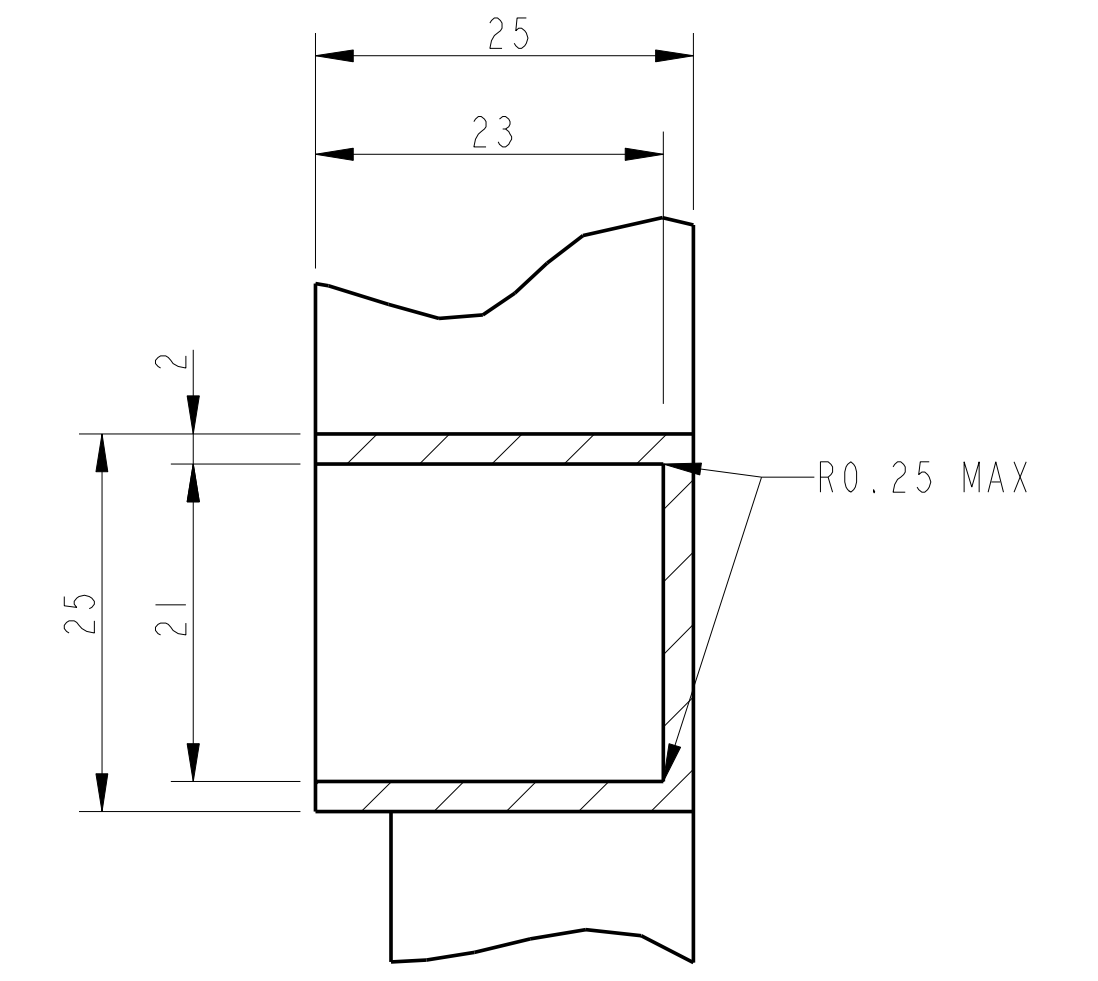
DETAIL L (SEE SHT 1) SCALE 1:1



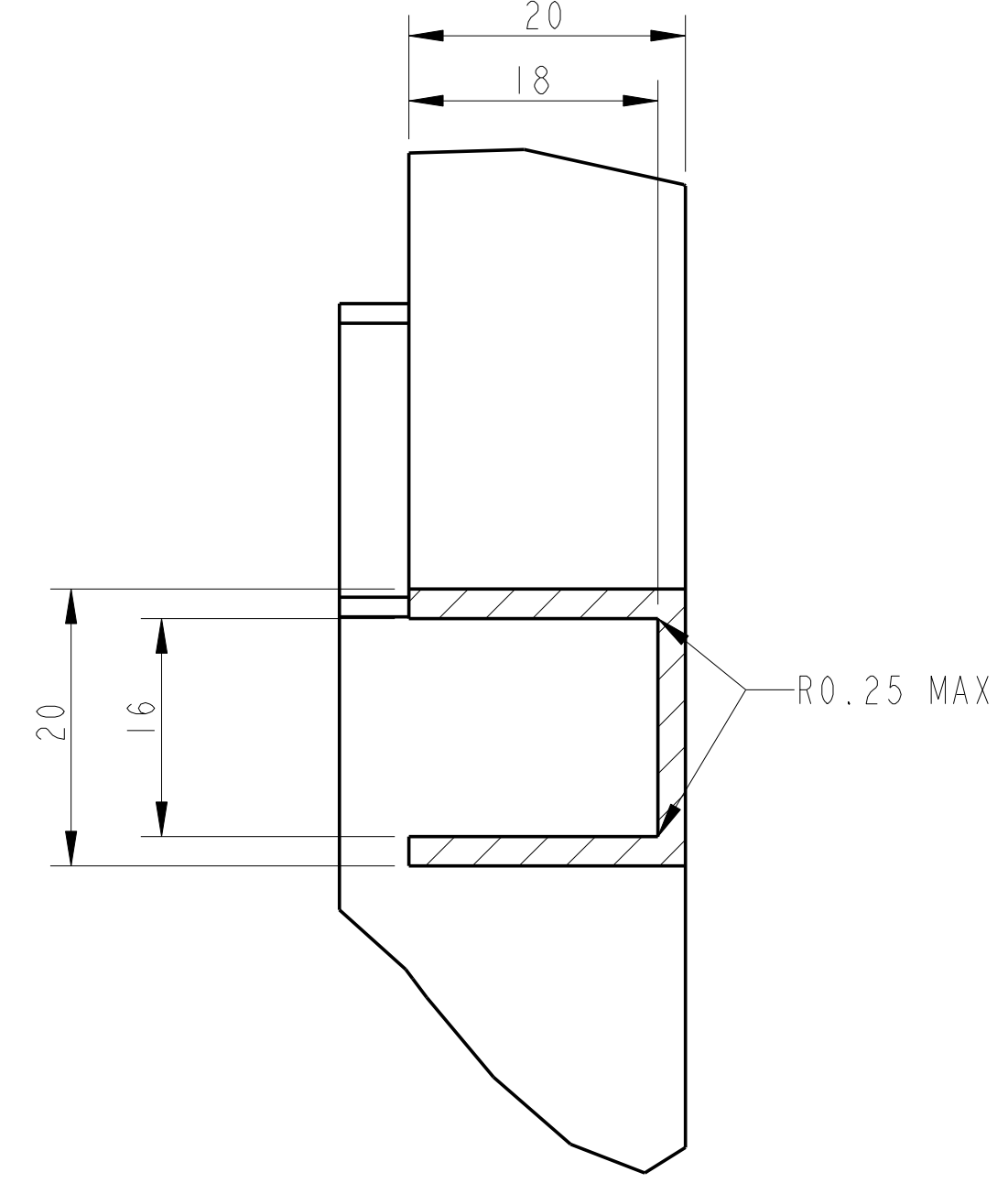
PARTIAL SECTION Q-Q SHOWING DEPTH OF SECTION SCALE 2:1



PARTIAL SECTION M-M SHOWING HOLE POSITIONS SCALE 2:1



PARTIAL SECTION N-N SHOWING DEPTH OF SECTION SCALE 2:1

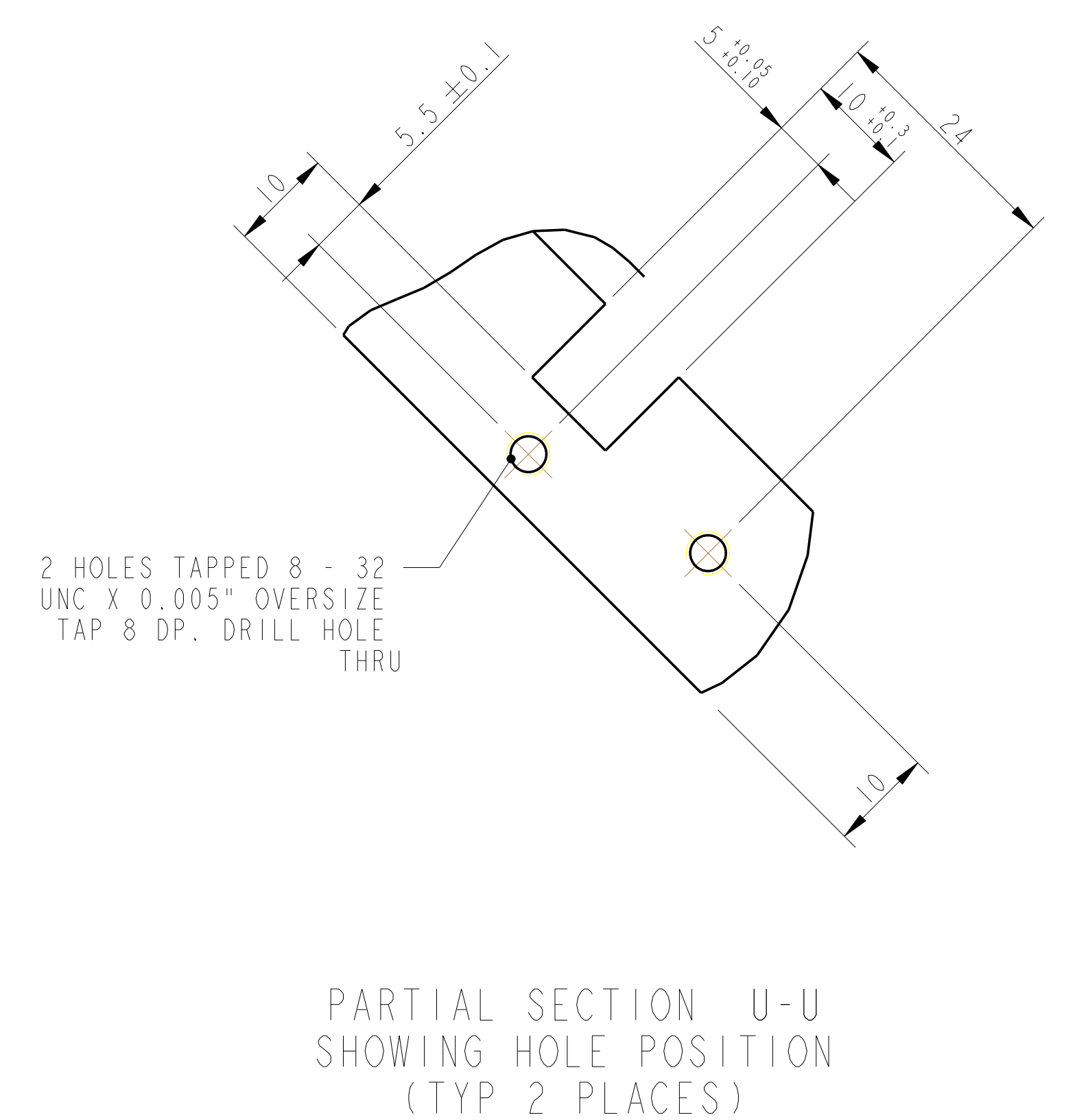
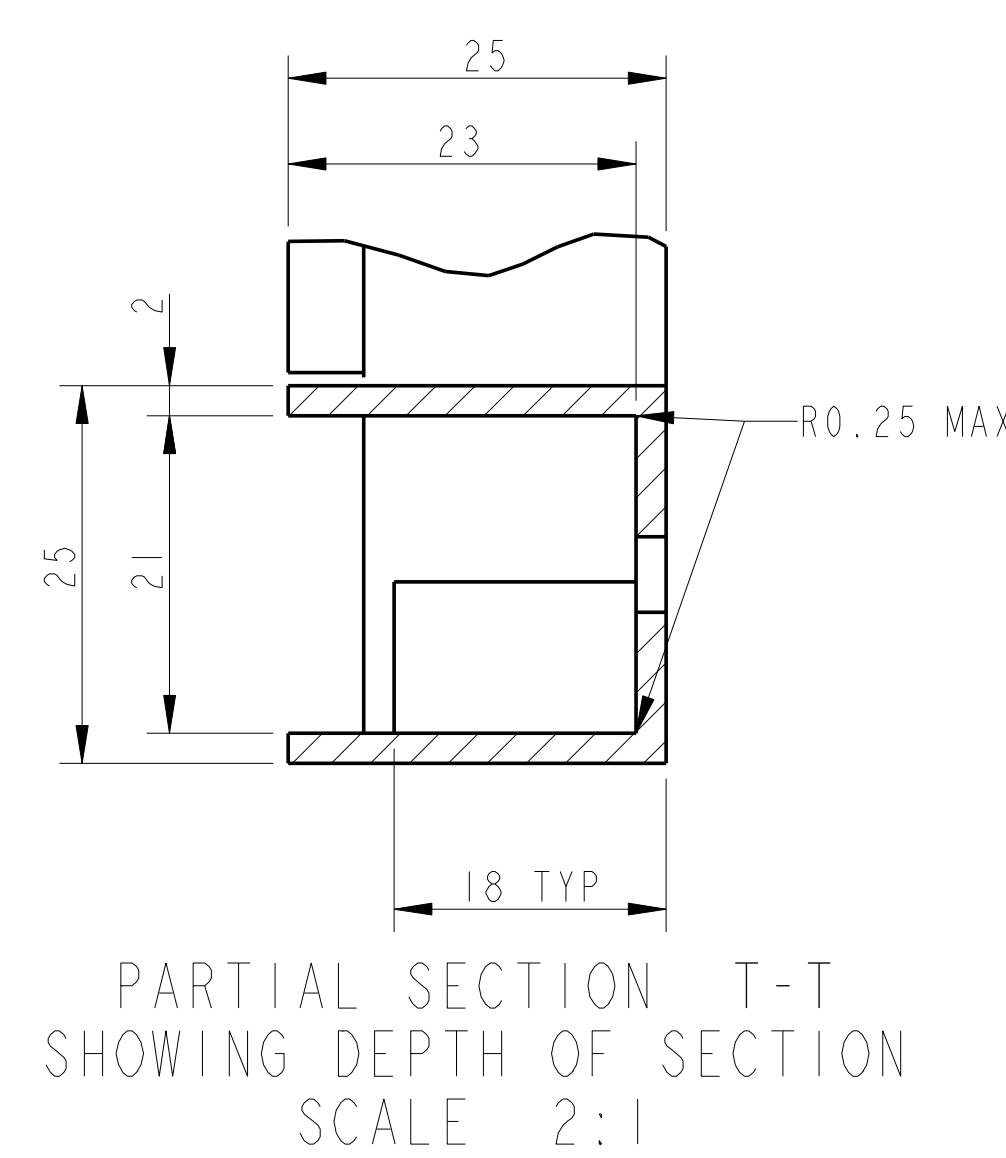
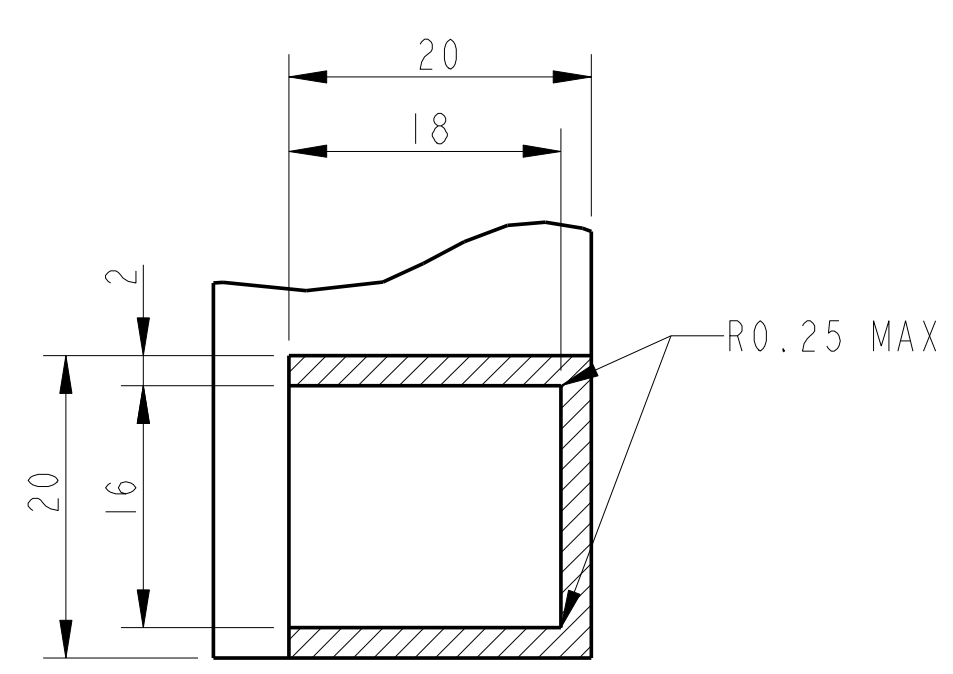
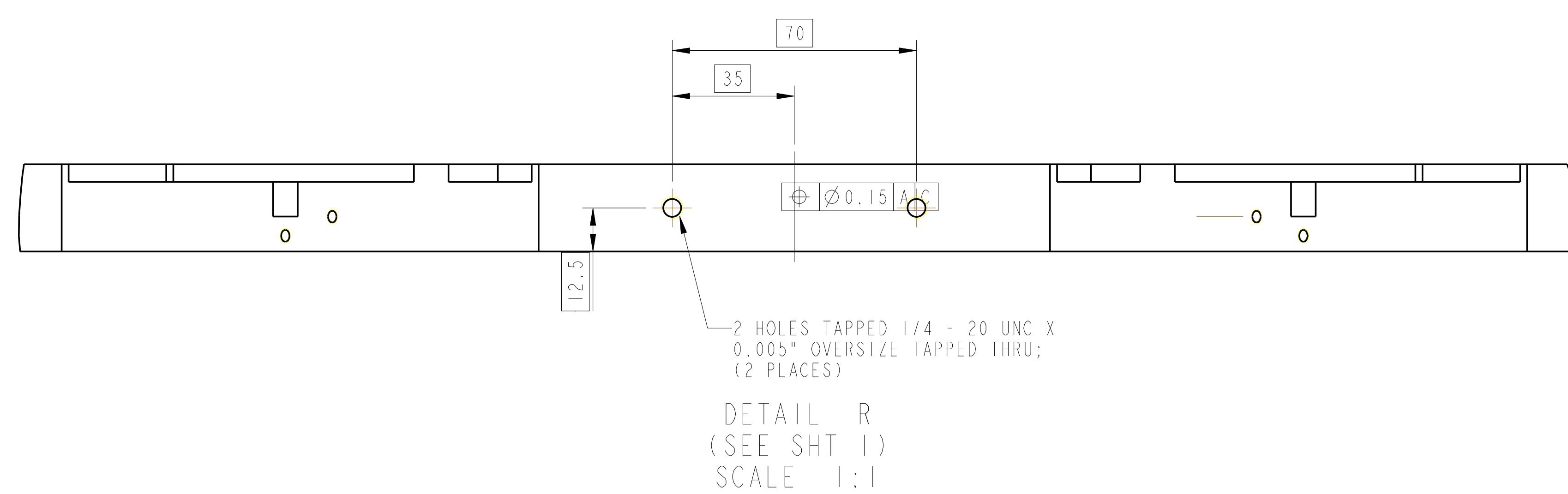
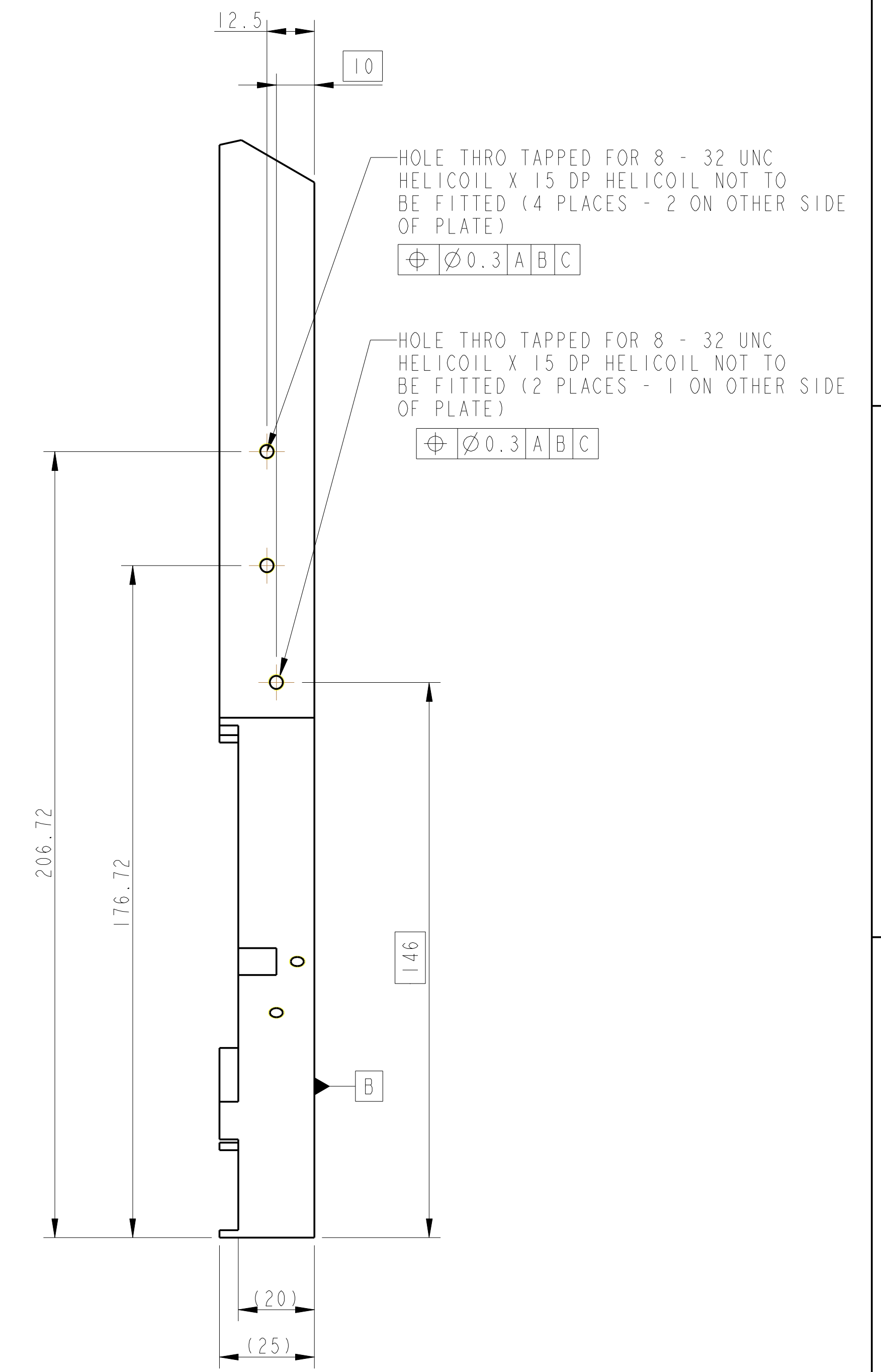
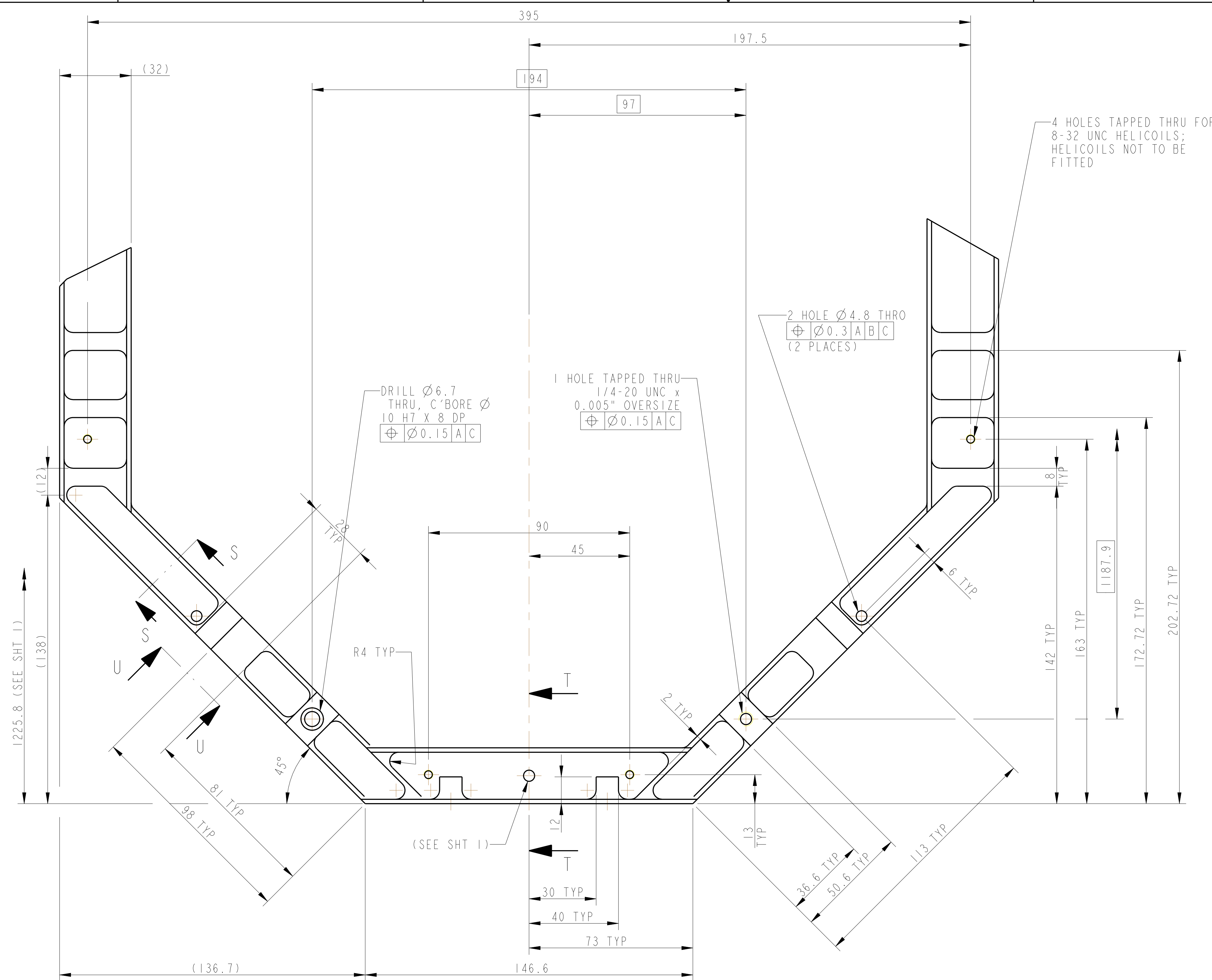


PARTIAL SECTION P-P SHOWING DEPTH OF SECTION SCALE 2:1

NOTES: UNLESS OTHERWISE SPECIFIED:

- REMOVE ALL SHARP EDGES.
- DO NOT SCALE FROM DRAWING.
- ALL DIMENSIONS ARE IN INCHES UNLESS OTHERWISE SPECIFIED.
- FINISH: POLISH AND POLISH TO SPECIFICATION.
- SEE DRAWING FOR STAMP DIMENSIONS AND MATERIAL SPECIFICATIONS.
- SEE DRAWING FOR STAMP DIMENSIONS AND MATERIAL SPECIFICATIONS.
- SEE DRAWING FOR STAMP DIMENSIONS AND MATERIAL SPECIFICATIONS.
- SEE DRAWING FOR STAMP DIMENSIONS AND MATERIAL SPECIFICATIONS.
- SEE DRAWING FOR STAMP DIMENSIONS AND MATERIAL SPECIFICATIONS.
- SEE DRAWING FOR STAMP DIMENSIONS AND MATERIAL SPECIFICATIONS.

DATE: 1/21/2019	CALIFORNIA INSTITUTE OF TECHNOLOGY
SCALE: 1:1	ADVANCED LIGO
DRAWN BY: [Name]	INNER FACE PLATE
CHECKED BY: [Name]	LOWER STRUCTURE
APPROVED BY: [Name]	DWG. NO: D090462
	REV. 1 OF 1



PARTIAL SECTION S-S SHOWING DEPTH OF SECTION SCALE 2:1

PARTIAL SECTION T-T SHOWING DEPTH OF SECTION SCALE 2:1

PARTIAL SECTION U-U SHOWING HOLE POSITION (TYP 2 PLACES)

NOTES: UNLESS OTHERWISE SPECIFIED:

1. REMOVE ALL SHARP EDGES.
2. UNLESS NOTED, DIMENSIONS ARE IN INCHES.
3. ALL WORKING DIMENSIONS SHALL BE GIVEN TO THE NEAREST 0.001 INCH.
4. SURFACE FINISH SHALL BE 125 RMS UNLESS OTHERWISE NOTED.
5. UNLESS OTHERWISE SPECIFIED, ALL DIMENSIONS SHALL BE TO THE CENTERLINE UNLESS OTHERWISE SPECIFIED.
6. DIMENSIONS TO DIMENSION LINES UNLESS OTHERWISE SPECIFIED.
7. DIMENSIONS TO DIMENSION LINES UNLESS OTHERWISE SPECIFIED.
8. DIMENSIONS TO DIMENSION LINES UNLESS OTHERWISE SPECIFIED.
9. DIMENSIONS TO DIMENSION LINES UNLESS OTHERWISE SPECIFIED.
10. DIMENSIONS TO DIMENSION LINES UNLESS OTHERWISE SPECIFIED.

TITLE	LOWER STRUCTURE
DATE	2/20/2025
APPROVED	[Signature]
DRAWN	[Signature]
CHECKED	[Signature]
DESIGNED	[Signature]
REVISIONS	NO. 1
PART NAME	INNER FACE PLATE
SYSTEM	ADVANCED LIQO
SUB-SYSTEM	SUS
MATERIAL	ALUMINUM ALLOY
FINISH	AS FURNISHED
PROCESS	CNC MACHINING
QUANTITY	100
SCALE	AS SHOWN
PROJECT	ADVANCED LIQO
DWG. NO.	050462
REV.	1
DATE	2/20/2025
DRAWN BY	[Signature]
CHECKED BY	[Signature]
DESIGNED BY	[Signature]
APPROVED BY	[Signature]
DATE	2/20/2025