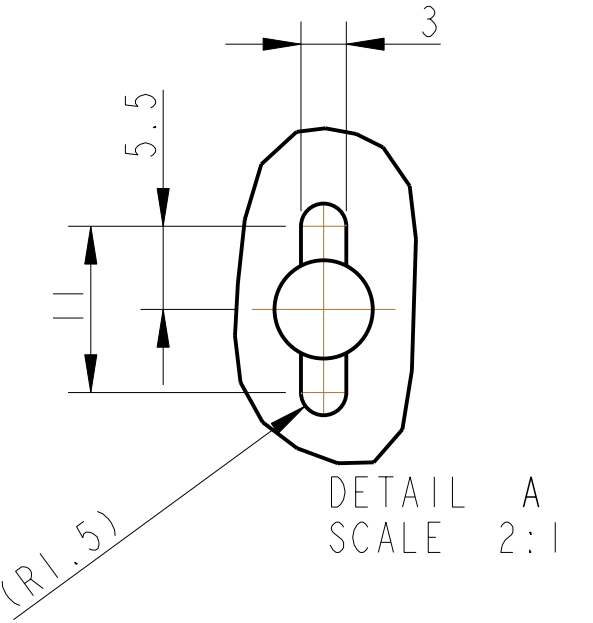
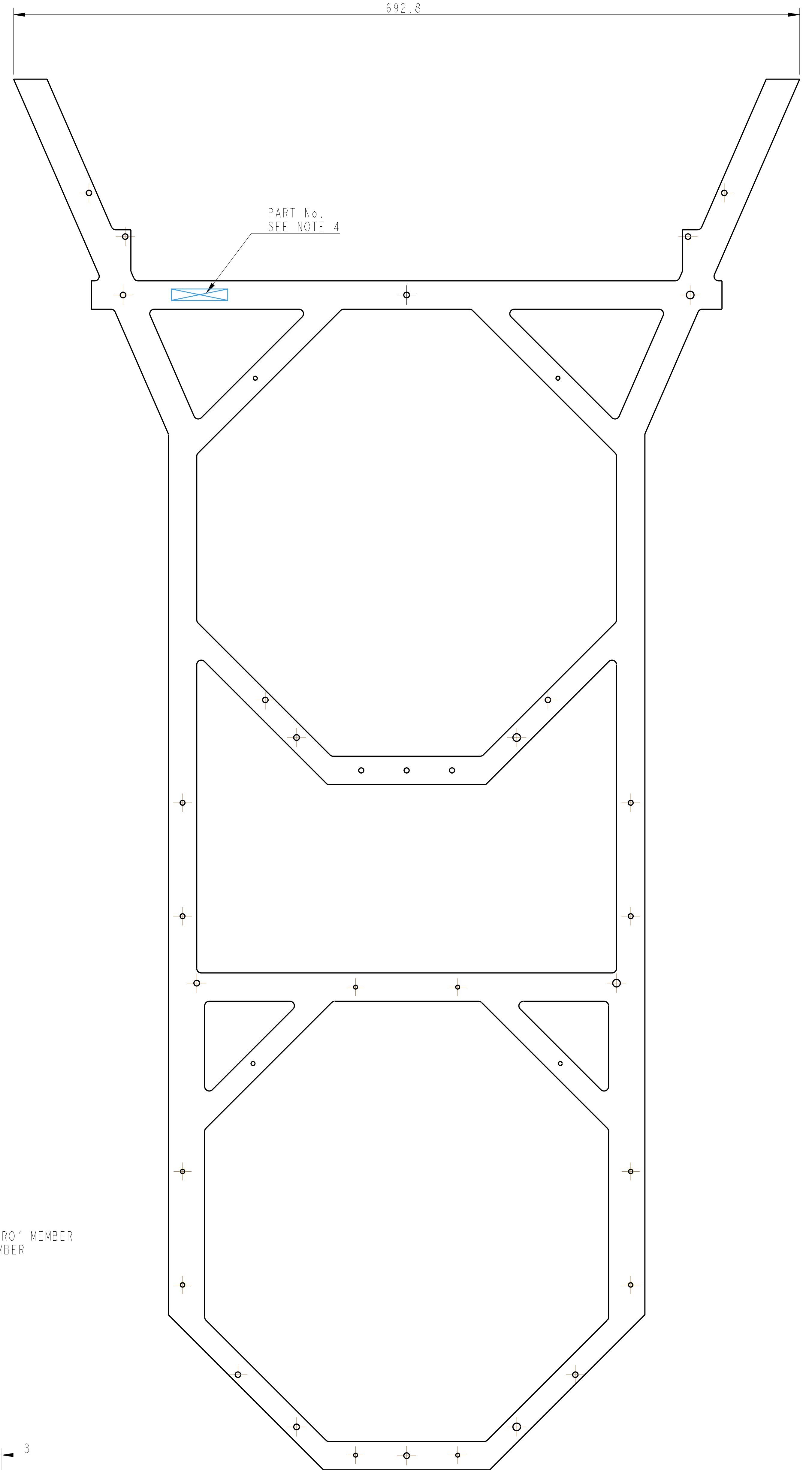
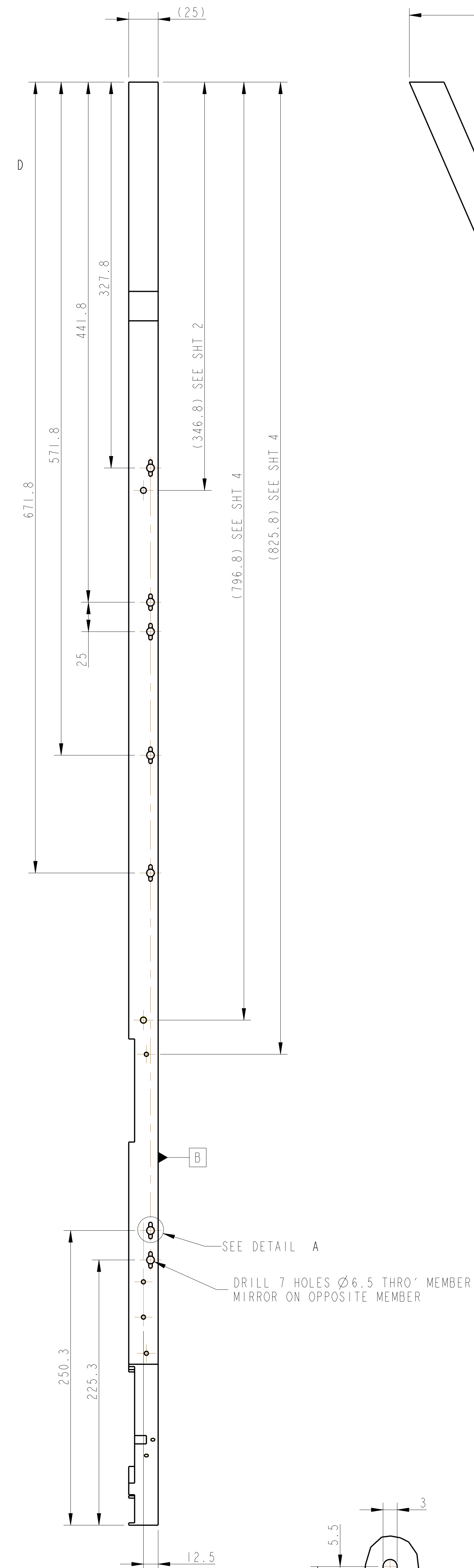
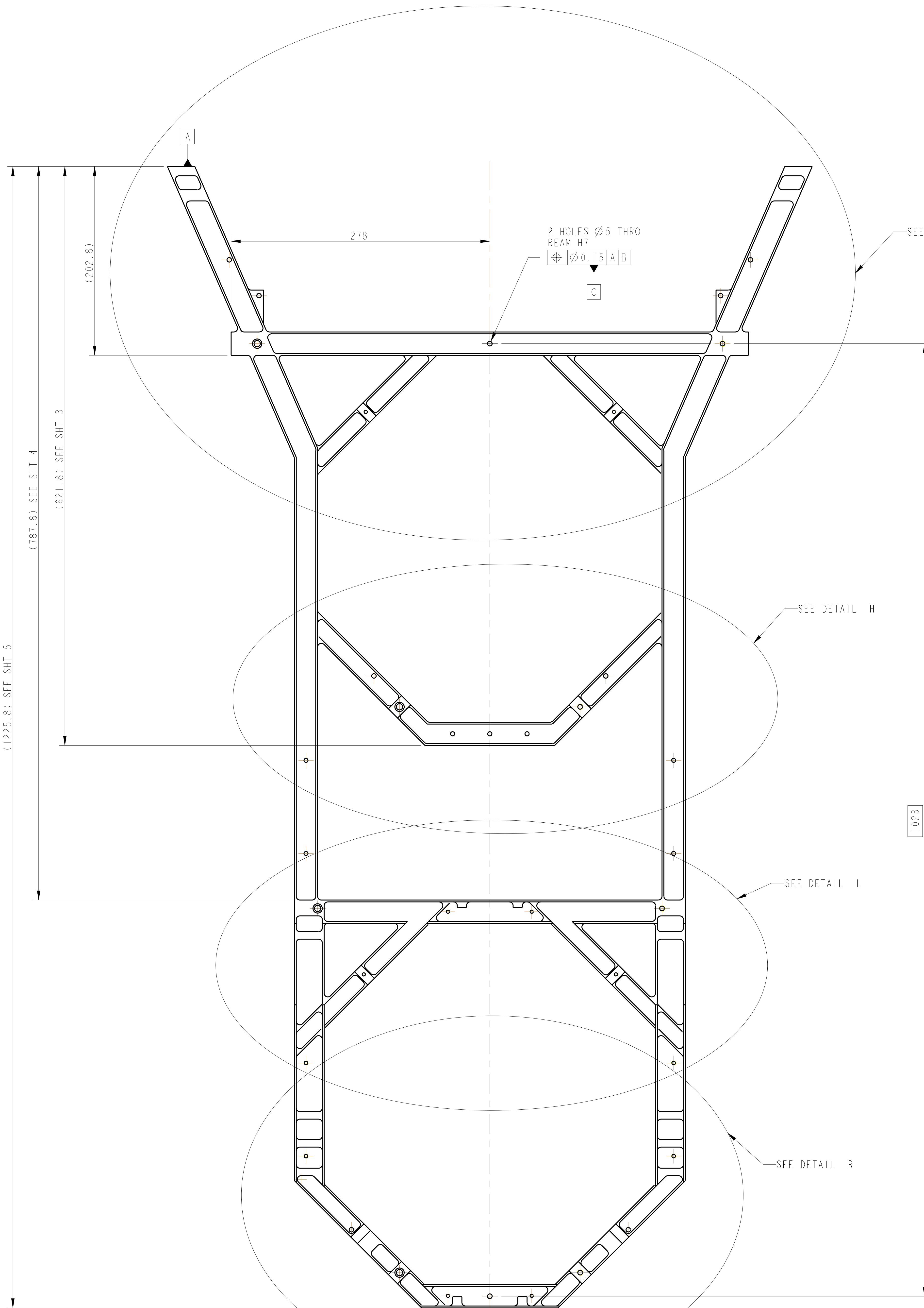


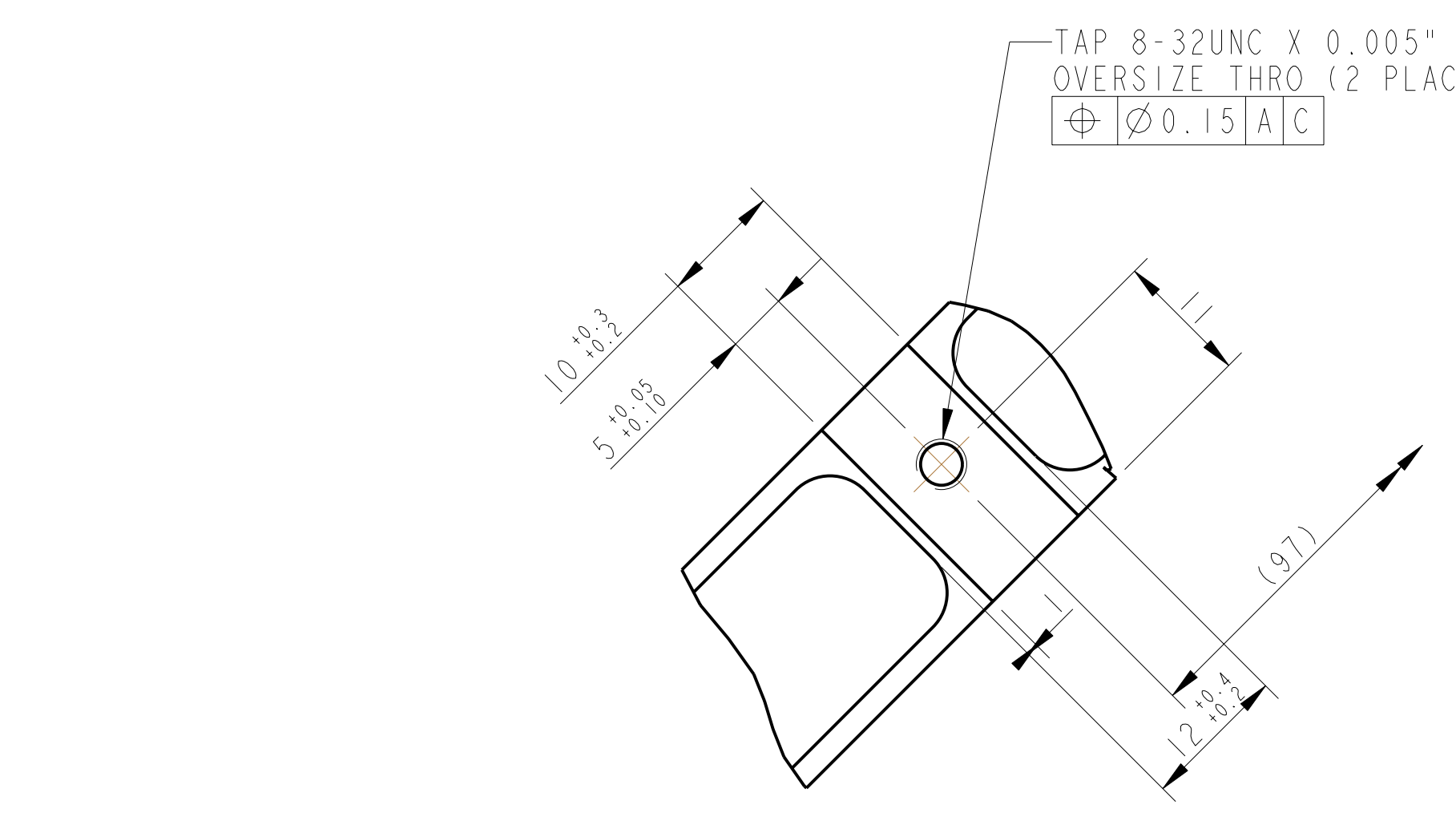
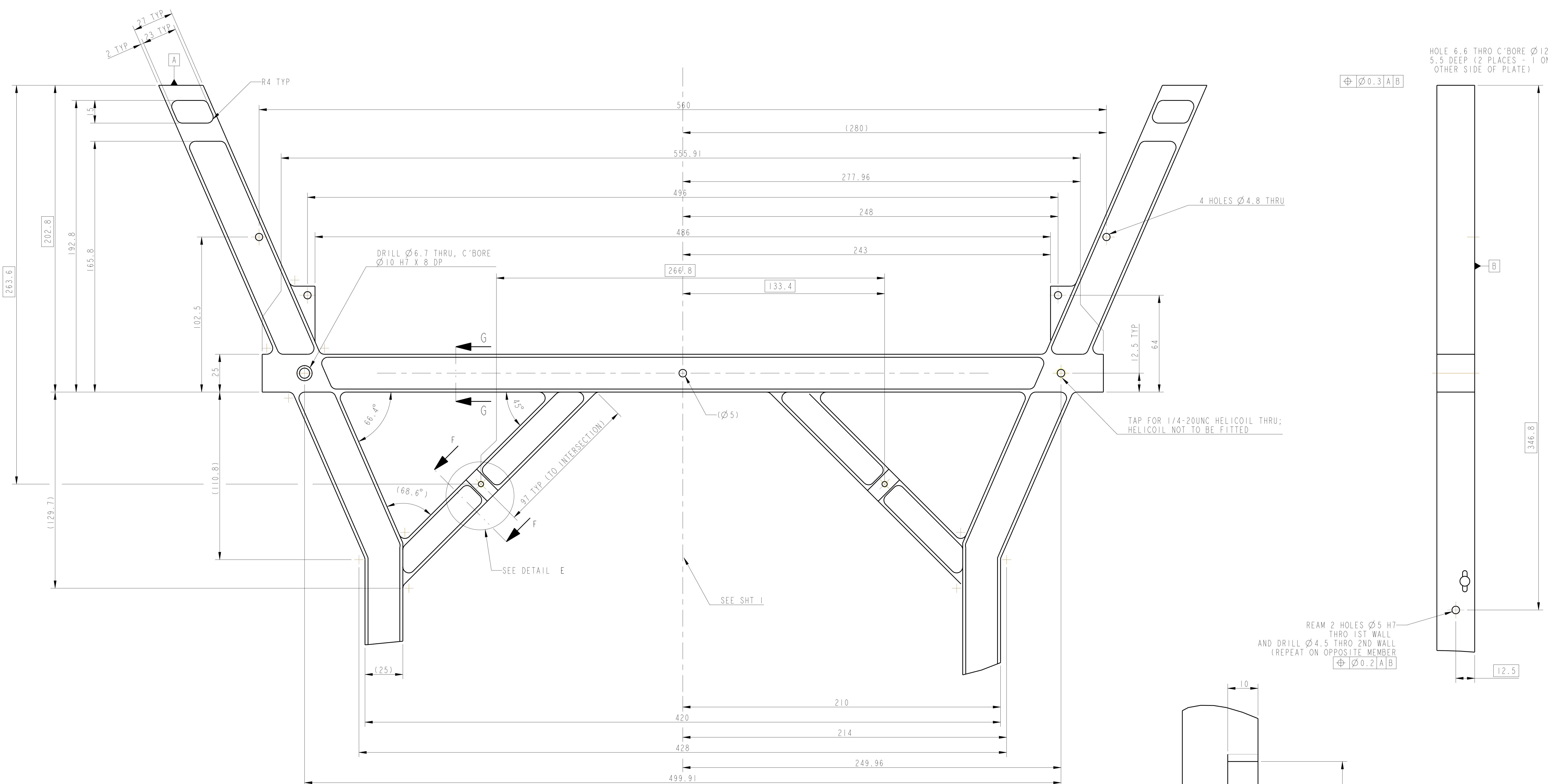
REV.	DATE	DCN #	DRAWING TREE #
A	30-OCT-06	EM6260-05	
B	23-OCT-07	EM6260-06	
C	28-JULY-08	EM6260-07	
D	9-SEPTEMBER	EM6260-08	



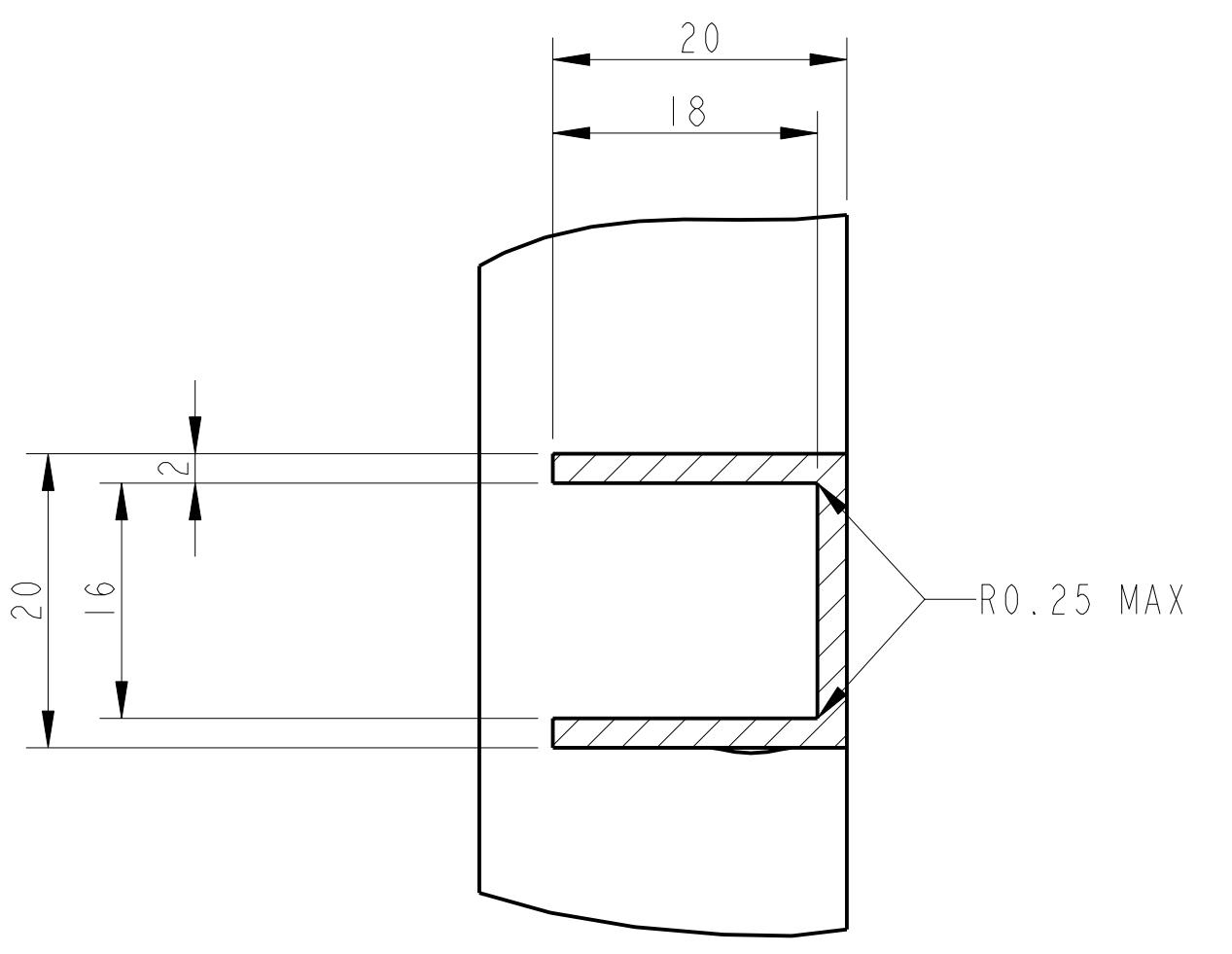
NOTES: UNLESS OTHERWISE SPECIFIED:

- REMOVE ALL SHARP EDGES.
- DRILL DEPTH FROM DRAWING.
- DO NOT SCALE FROM DRAWING.
- ALL WORKING DIMENSIONS SHALL BE MINUS TO UNLESS SPECIFIED OTHERWISE.
- SECURE, STRENGTH AND ALL TONGUE CLEARANCE TO BE MAINTAINED.
- REMOVE ALL FINISHES UNLESS OTHERWISE SPECIFIED.
4. SECURE, STRENGTH AND ALL TONGUE CLEARANCE TO BE MAINTAINED.
- REMOVE ALL FINISHES UNLESS OTHERWISE SPECIFIED.
- REMOVE ALL FINISHES UNLESS OTHERWISE SPECIFIED.
- REMOVE ALL FINISHES UNLESS OTHERWISE SPECIFIED.
- REMOVE ALL FINISHES UNLESS OTHERWISE SPECIFIED.
- REMOVE ALL FINISHES UNLESS OTHERWISE SPECIFIED.
- REMOVE ALL FINISHES UNLESS OTHERWISE SPECIFIED.
- REMOVE ALL FINISHES UNLESS OTHERWISE SPECIFIED.
- REMOVE ALL FINISHES UNLESS OTHERWISE SPECIFIED.
- REMOVE ALL FINISHES UNLESS OTHERWISE SPECIFIED.

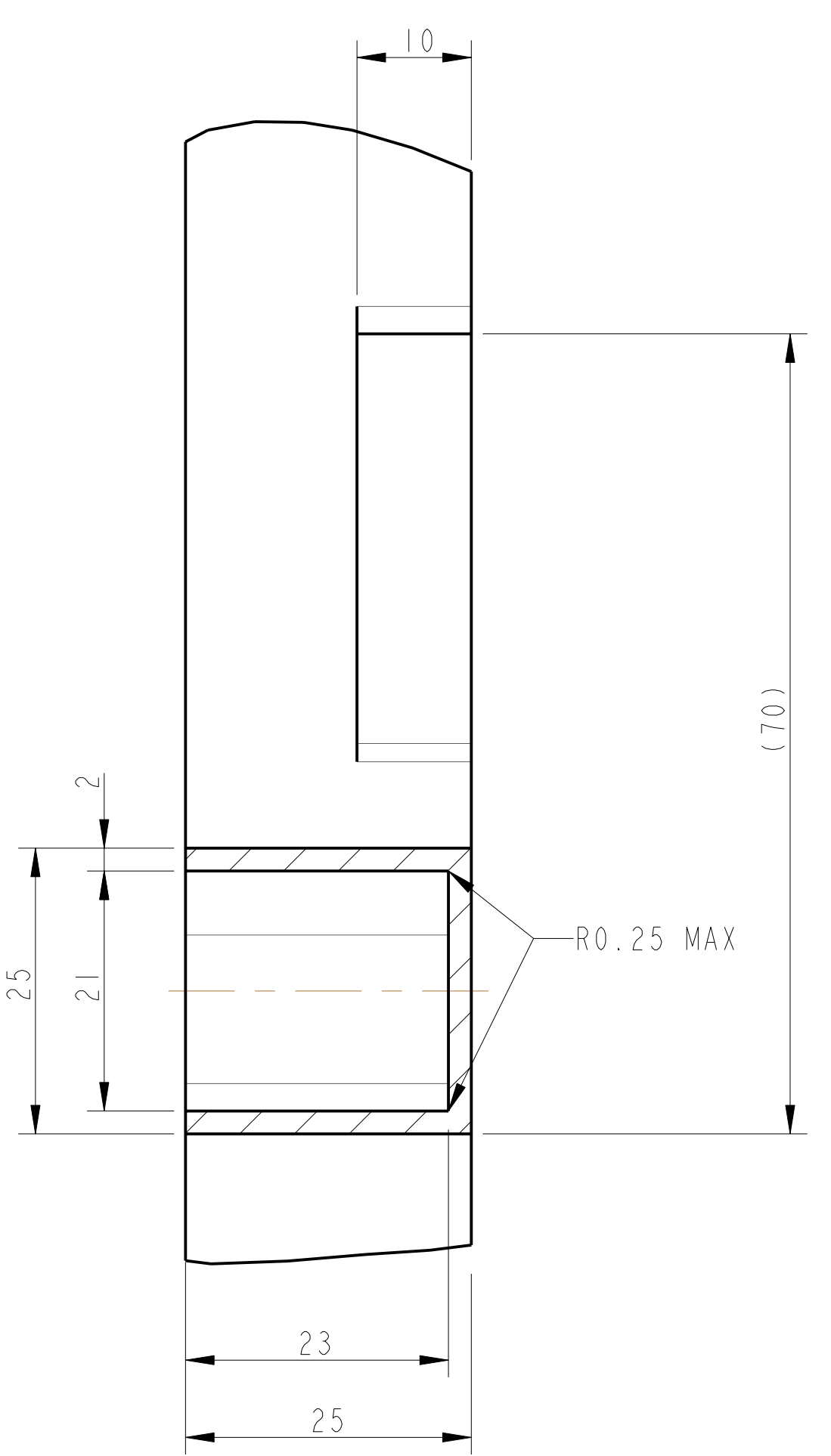
DESIGNED BY	3007	CALIFORNIA INSTITUTE OF TECHNOLOGY
DRAWN BY	3007	UNIVERSITY OF CALIFORNIA
CHECKED BY	3007	ADVANCED LIGO
DATE	30-OCT-06	SYSTEM
SCALE		ADVANCED LIGO
PROJECT	ADVANCED LIGO	SYSTEM
REVISION		ADVANCED LIGO
APPROVED		ADVANCED LIGO
		ADVANCED LIGO



DETAIL D (SEE SHT 1) SCALE 1:1



SECTION F-F SCALE 2:1



PARTIAL SECTION G-G SHOWING DEPTH OF SECTION SCALE 2:1

HOLE 6, 6 THRU C'BORE Ø12 X 5.5 DEEP (2 PLACES - 1 ON OTHER SIDE OF PLATE)

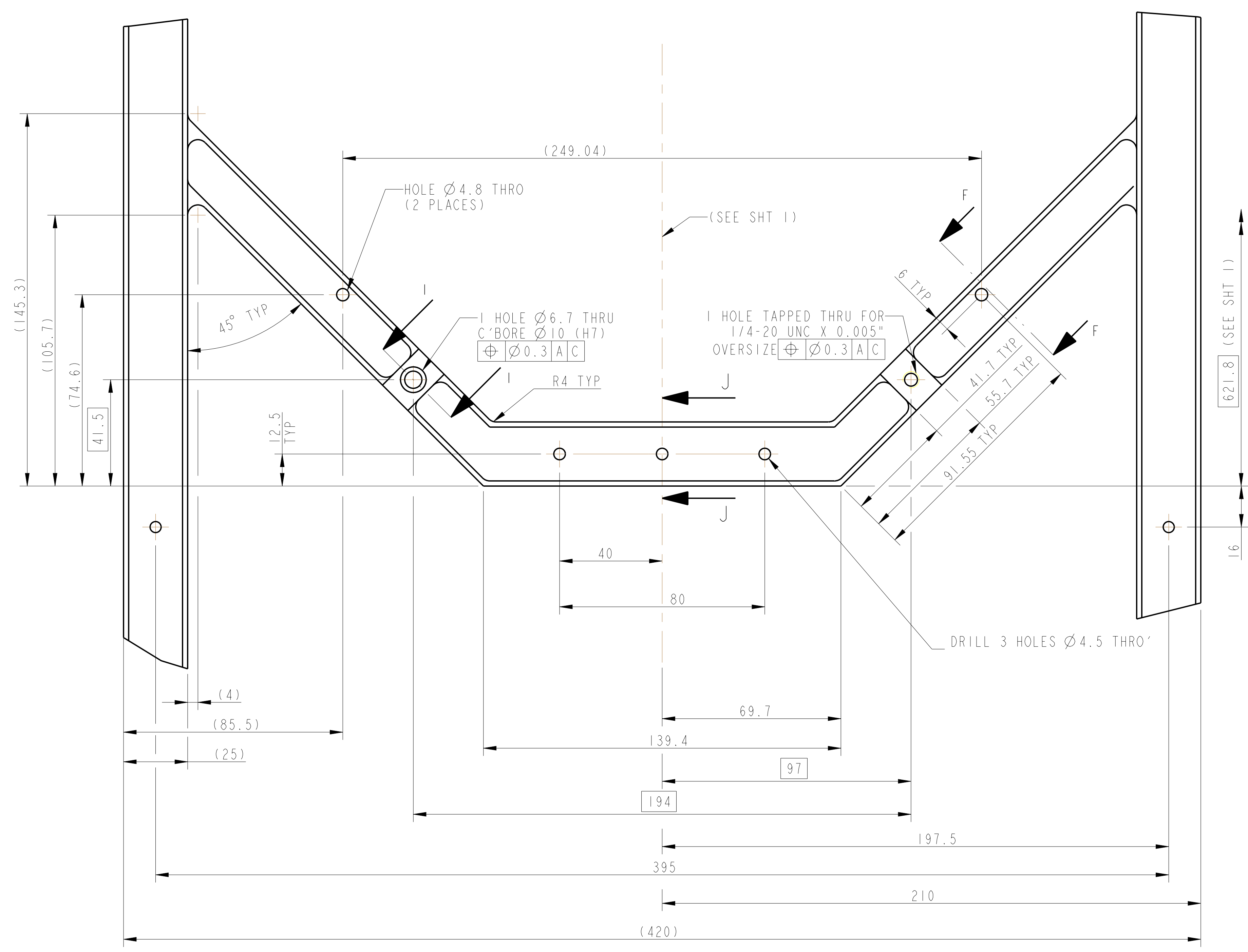
± 0.3 A|B

4 HOLES Ø4.8 THRU

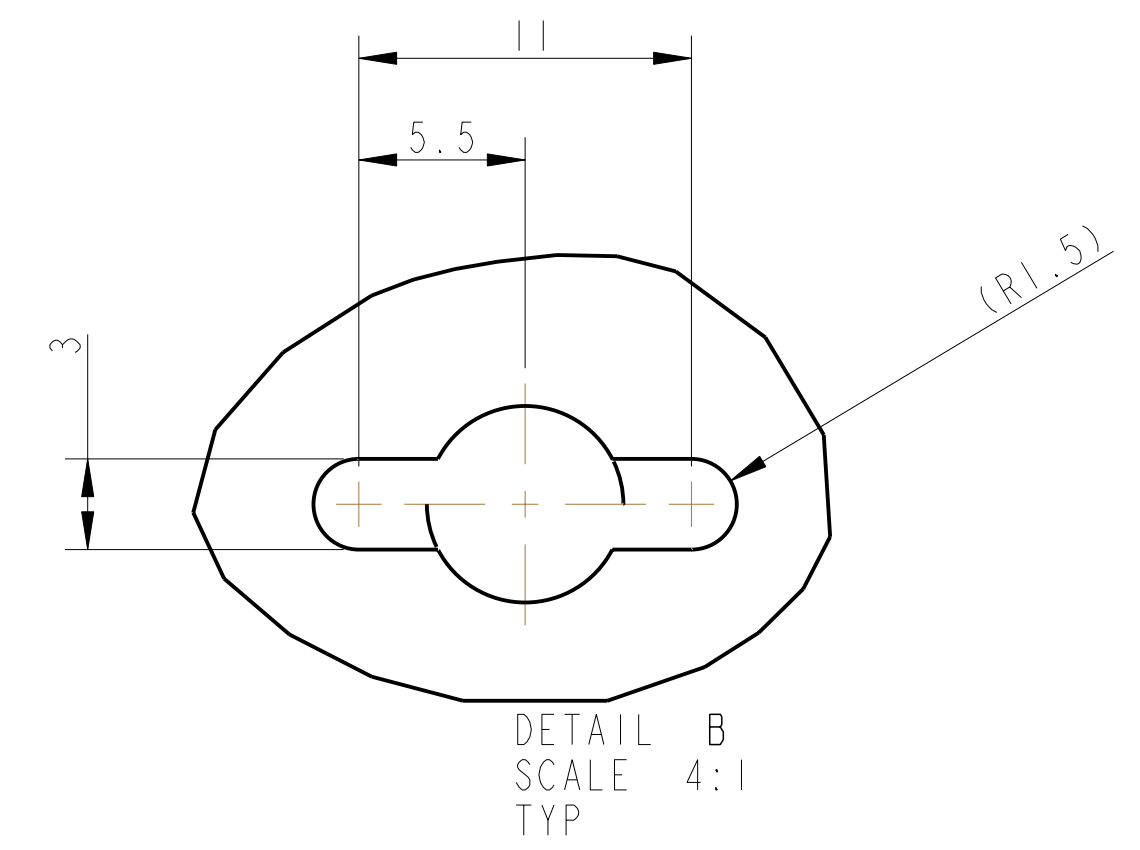
TAP FOR 1/4-20UNC HELICOIL THRU; HELICOIL NOT TO BE FITTED

REAM 2 HOLES Ø5 H7 THRU 1ST WALL AND DRILL Ø4.5 THRU 2ND WALL (REPEAT ON OPPOSITE MEMBER)
 ± 0.2 A|B

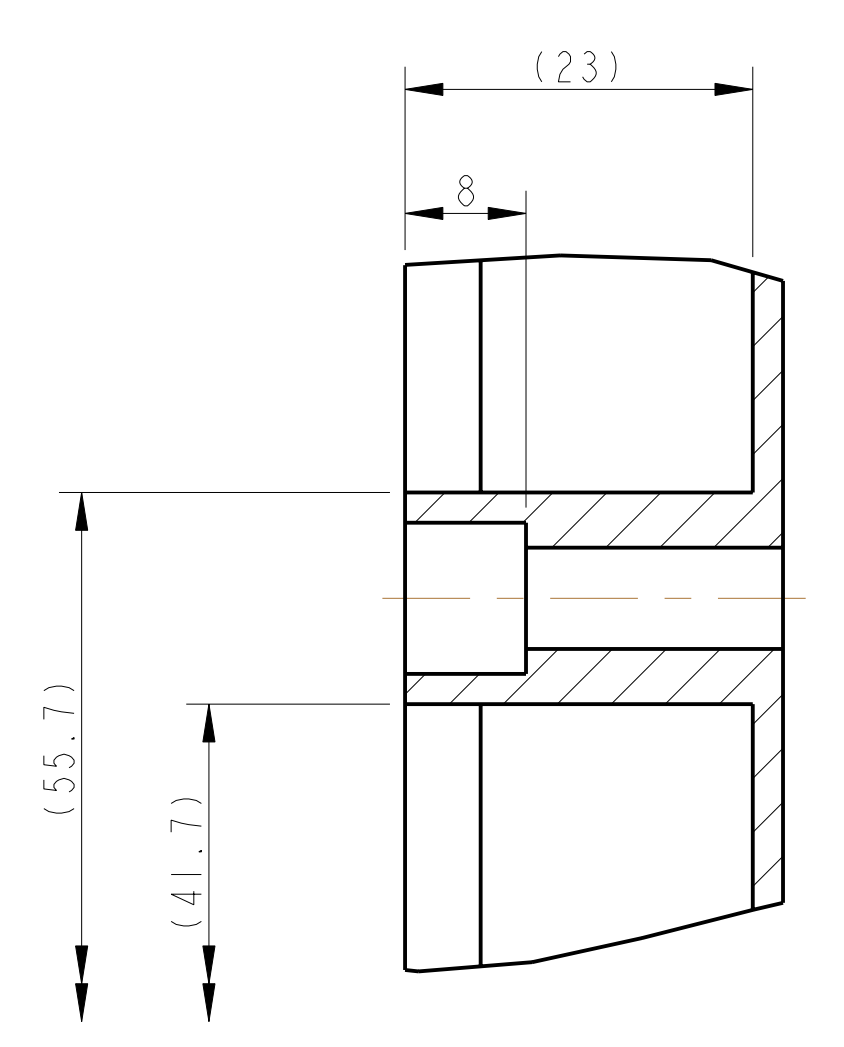
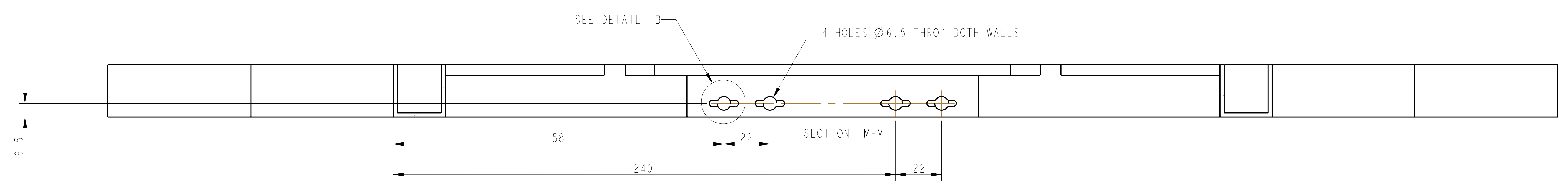
NOTES: UNLESS OTHERWISE SPECIFIED:		CALIFORNIA INSTITUTE OF TECHNOLOGY	
1. REMOVE ALL SHARP EDGES.	2. DIMENSIONS ARE IN mm (INCHES)	3. ALL WORKING DIMENSIONS SHALL BE	4. DIMENSIONS TO UNLESS OTHERWISE SPECIFIED
5. ALL WORKING DIMENSIONS SHALL BE	6. ALL DIMENSIONS TO UNLESS OTHERWISE SPECIFIED	7. ALL DIMENSIONS TO UNLESS OTHERWISE SPECIFIED	8. ALL DIMENSIONS TO UNLESS OTHERWISE SPECIFIED
9. ALL DIMENSIONS TO UNLESS OTHERWISE SPECIFIED	10. ALL DIMENSIONS TO UNLESS OTHERWISE SPECIFIED	11. ALL DIMENSIONS TO UNLESS OTHERWISE SPECIFIED	12. ALL DIMENSIONS TO UNLESS OTHERWISE SPECIFIED
MATERIAL: ALUMINUM ALLOY		PART NAME: LOWER FACE PLATE	
FINISH: CLEAN AND DEBURR		DRAWN: [Name]	
CHECKED: [Name]		APPROVED: [Name]	
DATE: [Date]		SCALE: [Scale]	
PROJECT: [Project Name]		SHEET NO: [Sheet No]	
DRAWING NO: [Drawing No]		ISSUE NO: [Issue No]	



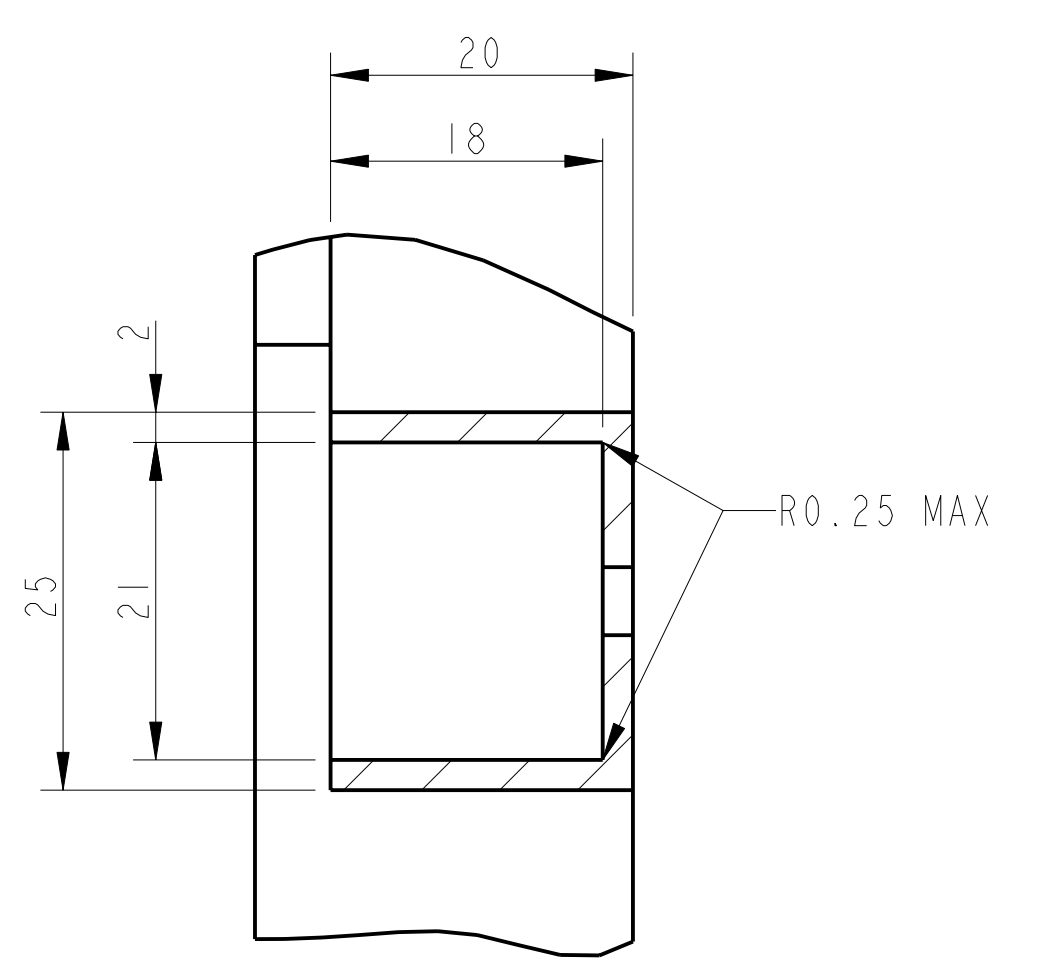
DETAIL H
(SEE SHT 1)
SCALE 1:1



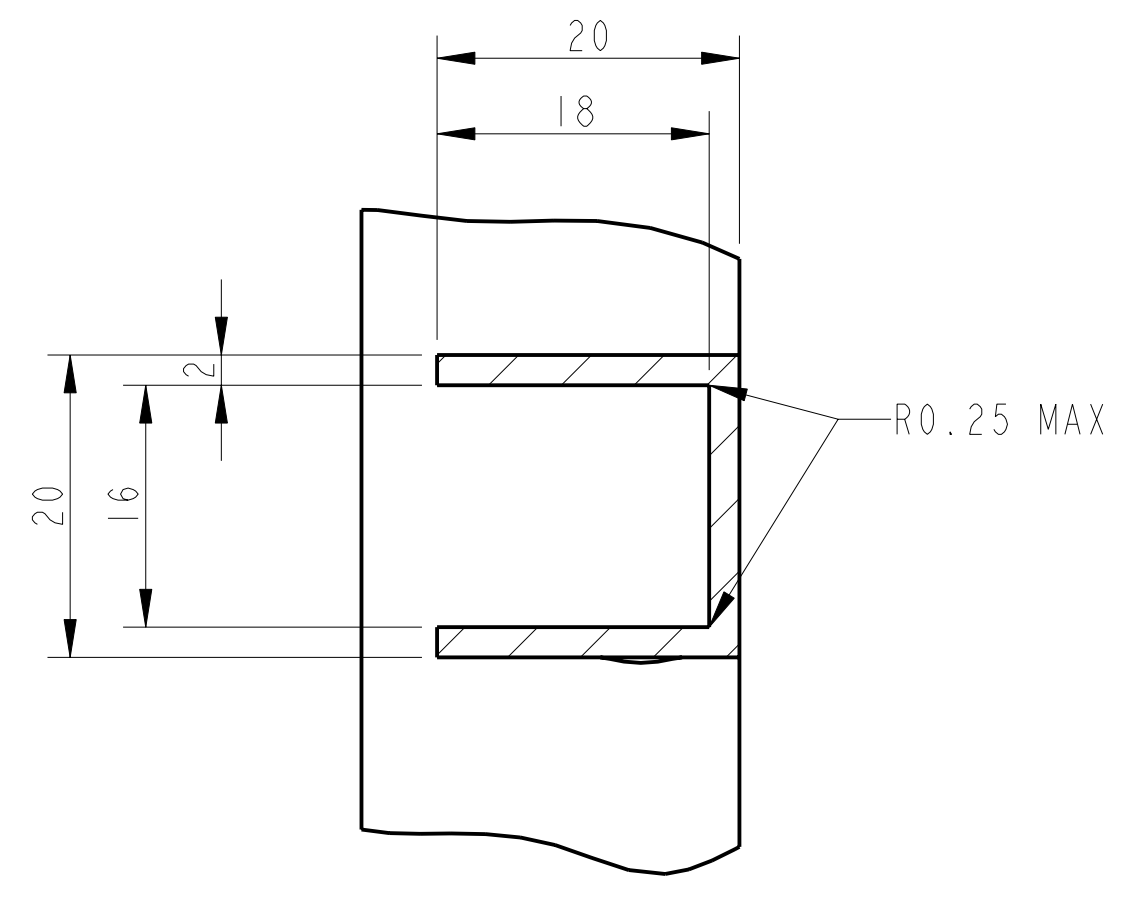
DETAIL B
SCALE 4:1
TYP



PARTIAL SECTION I-I
SCALE 2:1

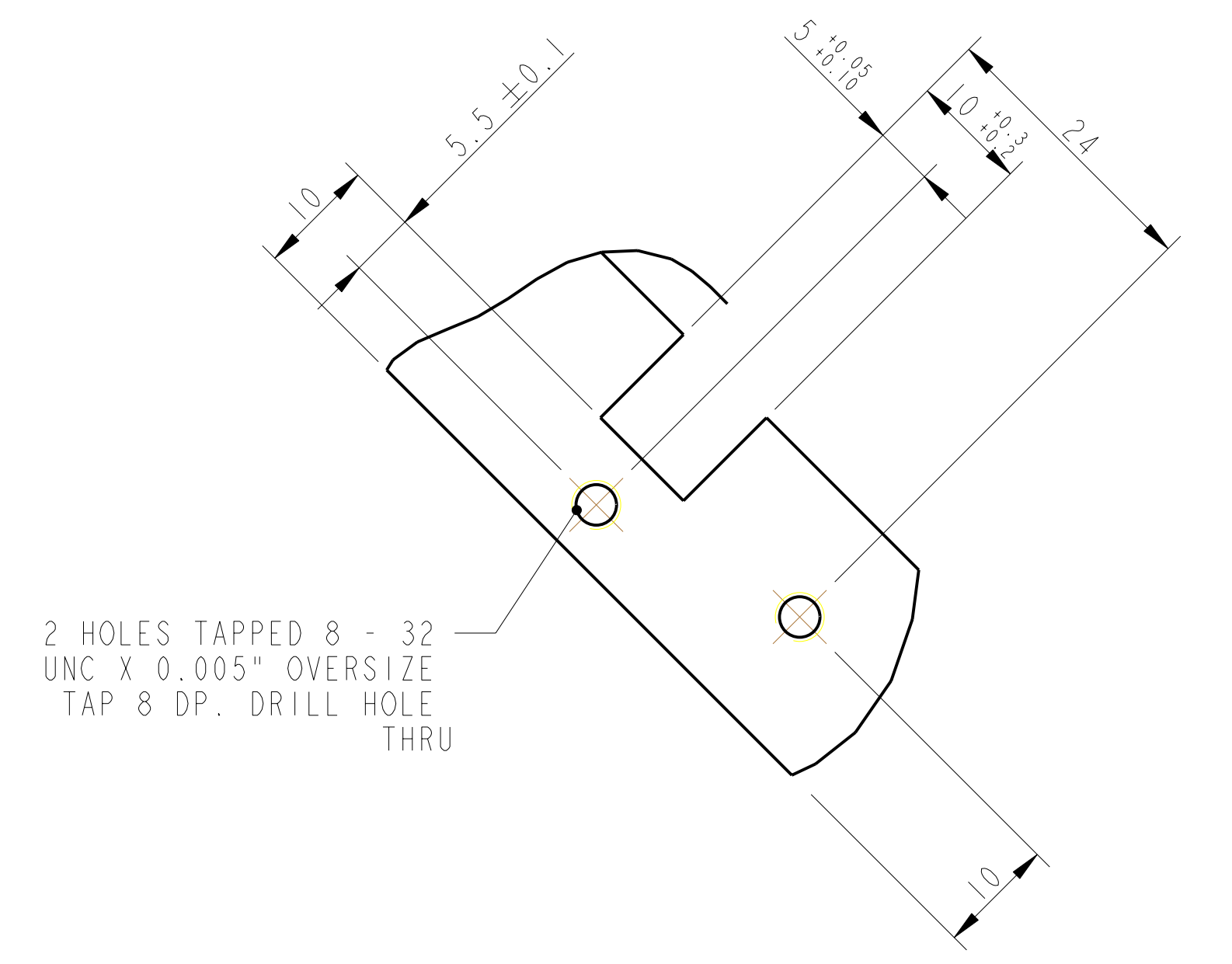
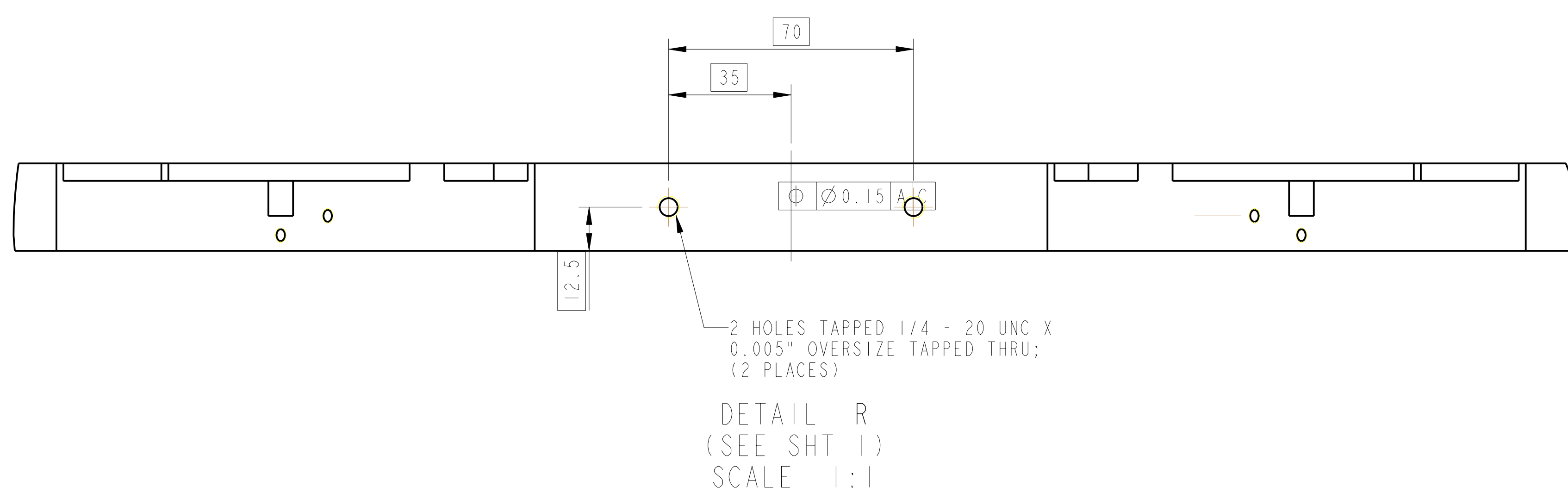
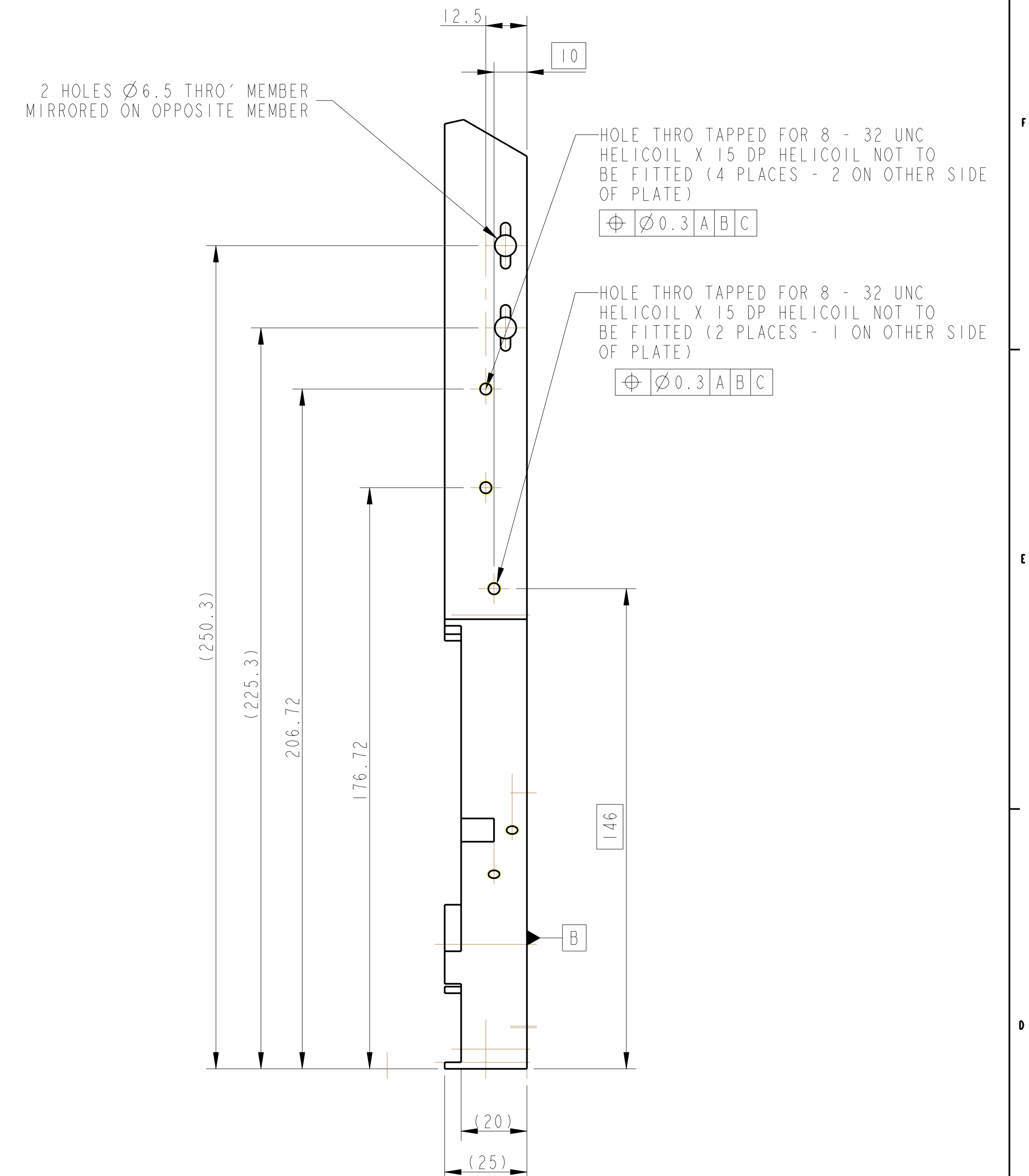
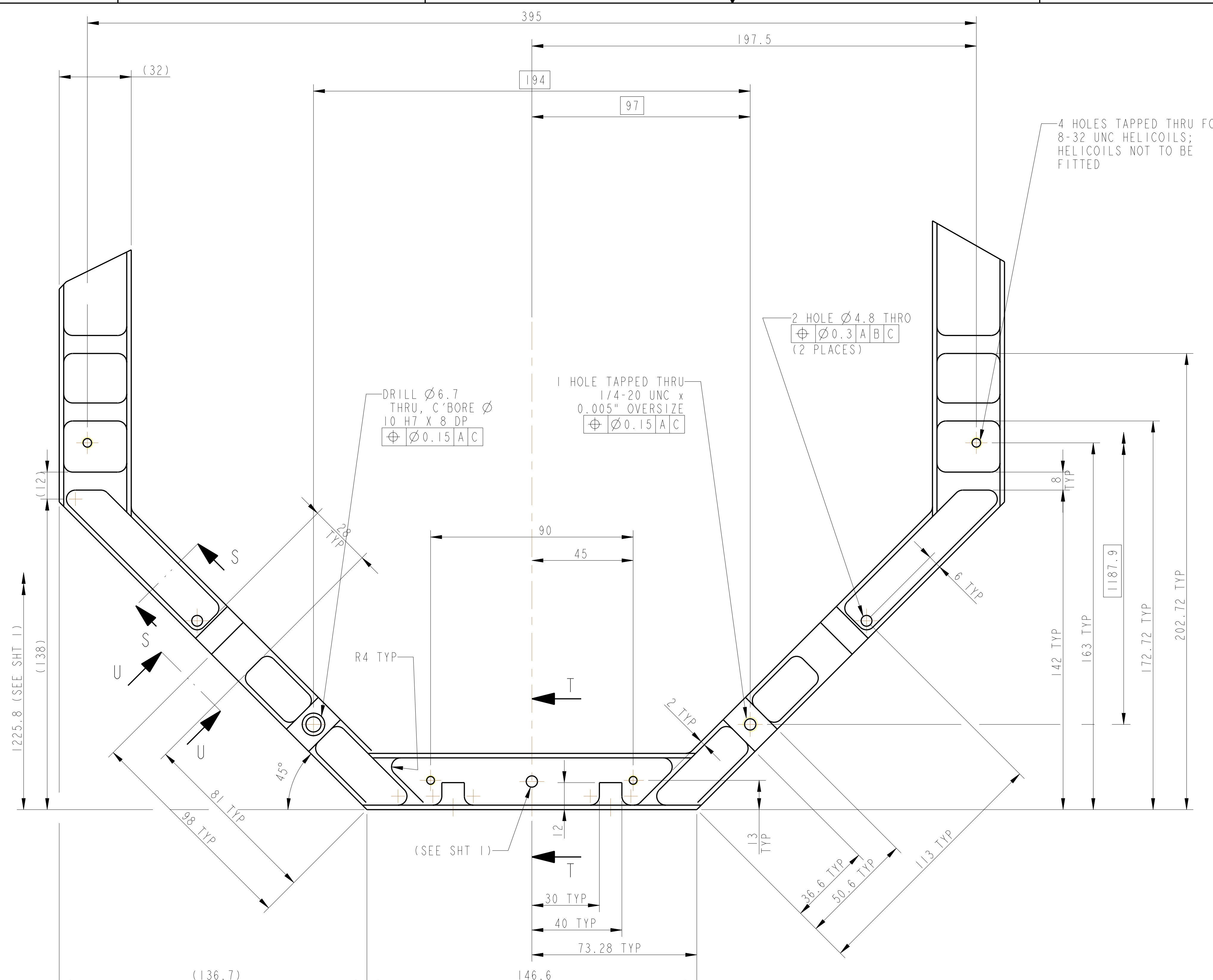


PARTIAL SECTION J-J
SHOWING DEPTH OF SECTION
SCALE 2:1

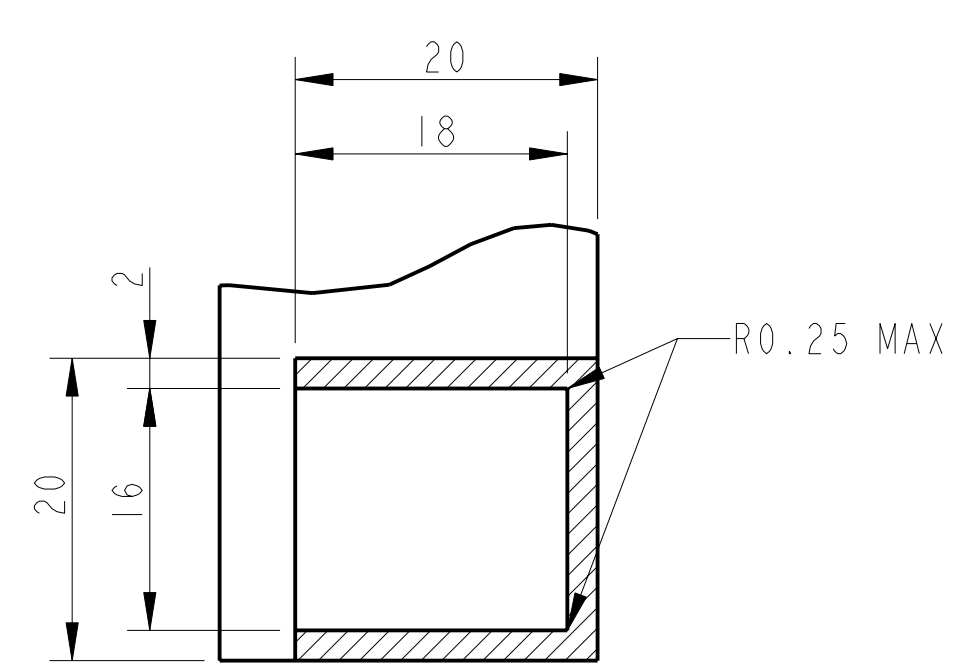


SECTION F-F
SCALE 2:1

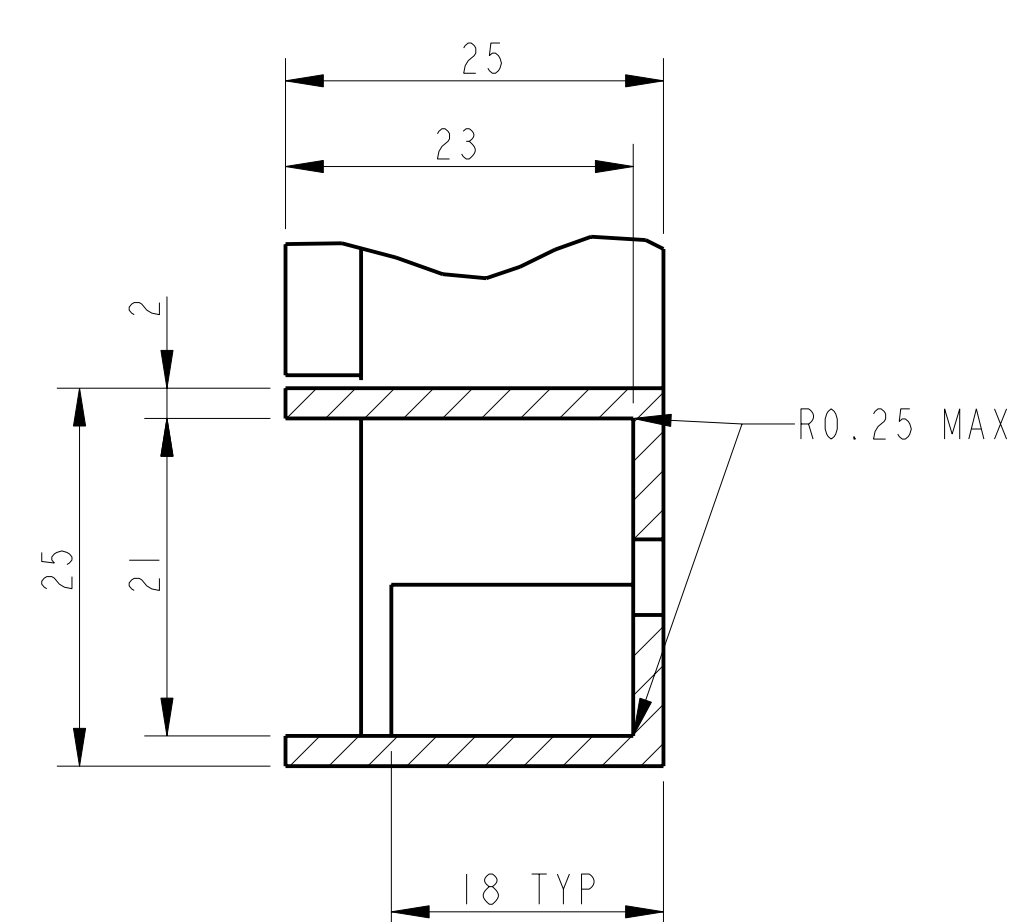
NOTES: UNLESS OTHERWISE SPECIFIED:		CALIFORNIA INSTITUTE OF TECHNOLOGY	
1. REMOVE ALL SHARP EDGES.	2. DIMENSIONS ARE IN mm (INCHES)	ADVANCED LIGO	
3. DO NOT SCALE FROM DRAWING.	4. ALL WORKING DIMENSIONS SHALL BE	SYSTEM: ADVANCED LIGO	
5. HOLE POSITIONING SHALL BE	6. HOLE POSITIONING SHALL BE	SUB-SYSTEM: SUS	
7. HOLE POSITIONING SHALL BE	8. HOLE POSITIONING SHALL BE	PART ASSY: QUAD INPTYPE LOWER STRUCTURE	
9. HOLE POSITIONING SHALL BE	10. HOLE POSITIONING SHALL BE	PART NAME: INNER FACE PLATE	
11. HOLE POSITIONING SHALL BE	12. HOLE POSITIONING SHALL BE	LOWER STRUCTURE	
13. HOLE POSITIONING SHALL BE	14. HOLE POSITIONING SHALL BE	DRAWN: [Name]	
15. HOLE POSITIONING SHALL BE	16. HOLE POSITIONING SHALL BE	CHECKED: [Name]	
17. HOLE POSITIONING SHALL BE	18. HOLE POSITIONING SHALL BE	APPROVED: [Name]	
19. HOLE POSITIONING SHALL BE	20. HOLE POSITIONING SHALL BE	DATE: [Date]	
21. HOLE POSITIONING SHALL BE	22. HOLE POSITIONING SHALL BE	SCALE: 1:1	
23. HOLE POSITIONING SHALL BE	24. HOLE POSITIONING SHALL BE	SHEET: 1 OF 1	



PARTIAL SECTION U-U SHOWING HOLE POSITION (TYP 2 PLACES)



PARTIAL SECTION S-S SHOWING DEPTH OF SECTION SCALE 2:1



PARTIAL SECTION T-T SHOWING DEPTH OF SECTION SCALE 2:1

NOTES: UNLESS OTHERWISE SPECIFIED:		26 79 CALIFORNIA INSTITUTE OF TECHNOLOGY	
1. REMOVE ALL SHARP EDGES.	ALL DIMENSIONS ARE IN mm (INCHES)	27 100 UNIVERSITY OF CALIFORNIA	28 100 UNIVERSITY OF CALIFORNIA
2. ALL DIMENSIONS ARE TO UNLESS OTHERWISE SPECIFIED.	3. ALL DIMENSIONS ARE TO UNLESS OTHERWISE SPECIFIED.	29 100 UNIVERSITY OF CALIFORNIA	30 100 UNIVERSITY OF CALIFORNIA
4. SLOPE: SLOPE OR STAMP DESIGNATION AS SHOWN IN THIS SPECIFICATION.	5. ALL WORKING SURFACES SHALL BE UNLESS OTHERWISE SPECIFIED.	31 100 UNIVERSITY OF CALIFORNIA	32 100 UNIVERSITY OF CALIFORNIA
6. SLOPE: SLOPE OR STAMP DESIGNATION AS SHOWN IN THIS SPECIFICATION.	7. ALL DIMENSIONS ARE TO UNLESS OTHERWISE SPECIFIED.	33 100 UNIVERSITY OF CALIFORNIA	34 100 UNIVERSITY OF CALIFORNIA
8. SLOPE: SLOPE OR STAMP DESIGNATION AS SHOWN IN THIS SPECIFICATION.	9. ALL DIMENSIONS ARE TO UNLESS OTHERWISE SPECIFIED.	35 100 UNIVERSITY OF CALIFORNIA	36 100 UNIVERSITY OF CALIFORNIA
9. SLOPE: SLOPE OR STAMP DESIGNATION AS SHOWN IN THIS SPECIFICATION.	10. ALL DIMENSIONS ARE TO UNLESS OTHERWISE SPECIFIED.	37 100 UNIVERSITY OF CALIFORNIA	38 100 UNIVERSITY OF CALIFORNIA
10. SLOPE: SLOPE OR STAMP DESIGNATION AS SHOWN IN THIS SPECIFICATION.	11. ALL DIMENSIONS ARE TO UNLESS OTHERWISE SPECIFIED.	39 100 UNIVERSITY OF CALIFORNIA	40 100 UNIVERSITY OF CALIFORNIA

FIG. NO.	REV. NO.	DATE	BY	CHECKED	APPROVED	APP. NO.
PART NAME: QUAD INPTYPE LOWER STRUCTURE						
MATERIAL: ALUMINUM ALLOY						
FINISH: CLEAN AND DEBURRED						
PART NO. 1011						
DRAWN: 2 DRAWS: 1						
PROJECT: 100-100-100						
JOB: 100-100-100						
JOB NO.: 000402						
PAGE NO.: 1 OF 1						